



US00D838215S

(12) **United States Design Patent** (10) **Patent No.:** **US D838,215 S**
Wu (45) **Date of Patent:** **** Jan. 15, 2019**

- (54) **WHEELCHAIR**
- (71) Applicant: **Ching-Tsang Wu**, New Taipei (TW)
- (72) Inventor: **Ching-Tsang Wu**, New Taipei (TW)
- (**) Term: **15 Years**
- (21) Appl. No.: **29/619,892**
- (22) Filed: **Oct. 3, 2017**
- (51) **LOC (11) Cl.** **12-12**
- (52) **U.S. Cl.**
USPC **D12/131**
- (58) **Field of Classification Search**
USPC D12/128–133
CPC A61G 5/00–5/14
See application file for complete search history.

(56) **References Cited**

U.S. PATENT DOCUMENTS

D254,192 S *	2/1980	Honzyou	D12/131
D455,376 S *	4/2002	Lindenkamp	D12/131
D494,110 S *	8/2004	Cheng	D12/131
7,052,023 B2 *	5/2006	Chen	A61G 5/08 280/250.1
D622,641 S *	8/2010	Chen	D12/131
D635,895 S *	4/2011	Jacobs	D12/131
D801,232 S *	10/2017	Menichini	D12/131
D809,975 S *	2/2018	Menichini	D12/131
D823,175 S *	7/2018	Theilmann	D12/131
D829,137 S *	9/2018	Hommen	D12/131

* cited by examiner

Primary Examiner — Charles D Hanson
(74) *Attorney, Agent, or Firm* — Burriss Law, PLLC

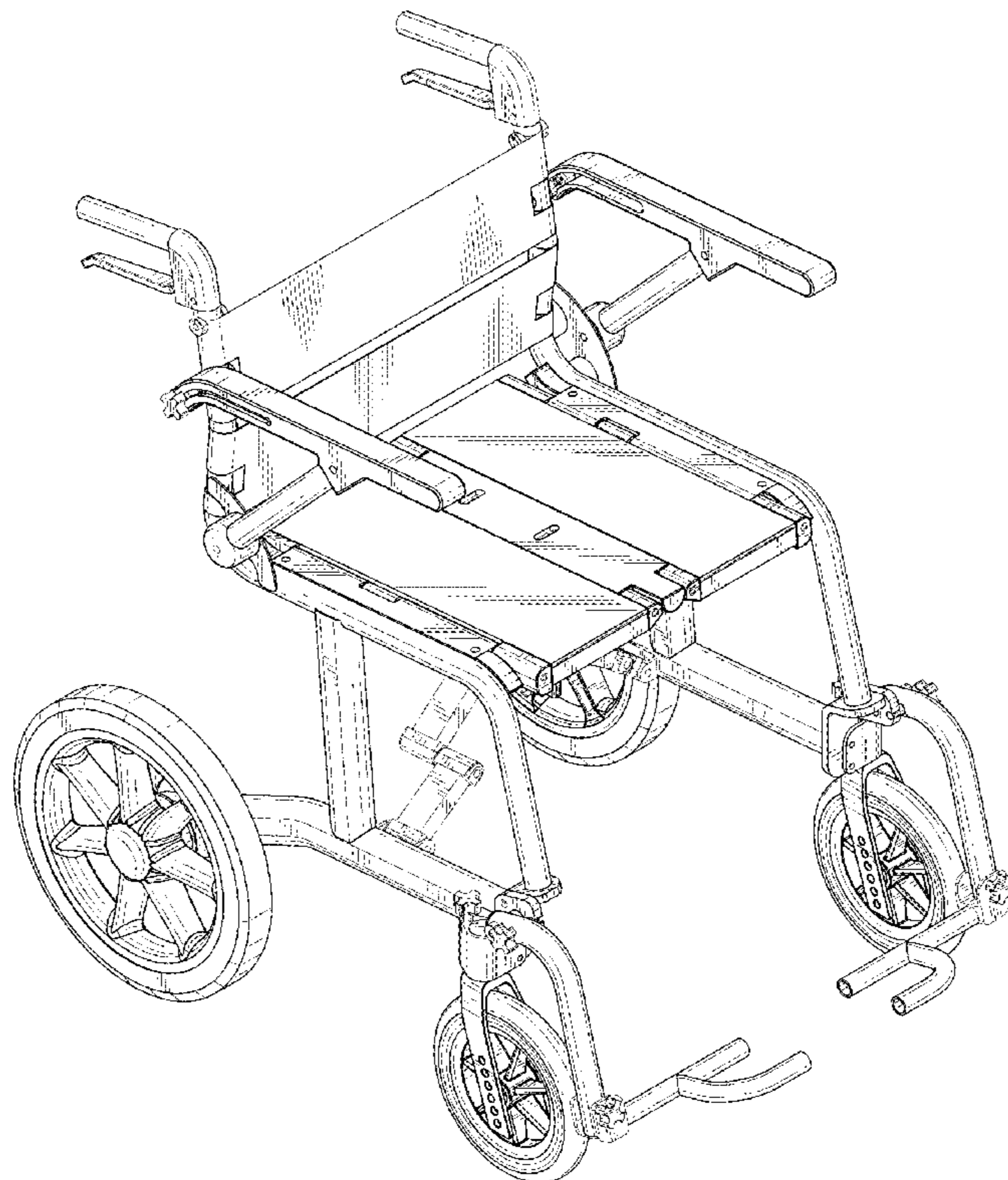
(57) **CLAIM**

The ornamental design for a wheelchair, as shown and described.

DESCRIPTION

FIG. 1 is a perspective view of a wheelchair showing my new design;
 FIG. 2 is a front elevational view thereof;
 FIG. 3 is a rear elevational view thereof;
 FIG. 4 is a left side elevational view thereof;
 FIG. 5 is a right side elevational view thereof;
 FIG. 6 is a top plan view thereof;
 FIG. 7 is a bottom plan view thereof;
 FIG. 8 is a fragmentary perspective view thereof;
 FIG. 9 is an enlarged view of the region surrounded by the long dash-short dash broken lines in FIG. 8; and,
 FIG. 10 is a fragmentary enlarged perspective view showing a bottom portion of a seat of the design.
 The short dash-short dash broken lines depict portions of a wheelchair in which the design is embodied that form no part of the claimed design.
 The long dash-short dash broken lines in FIG. 8 are for illustrating the regions in FIG. 9 only and form no part of the claimed design.

1 Claim, 10 Drawing Sheets



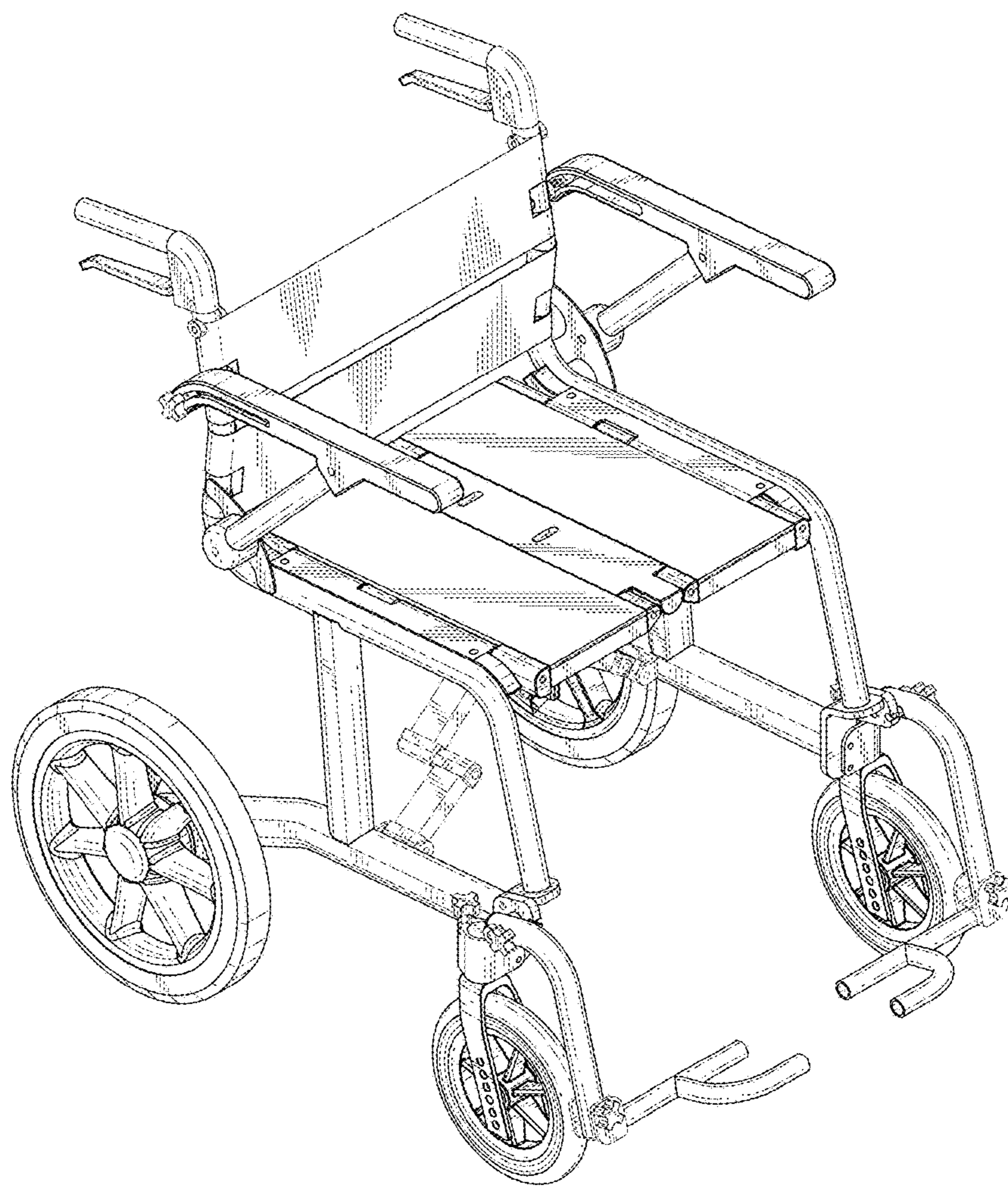


FIG. 1

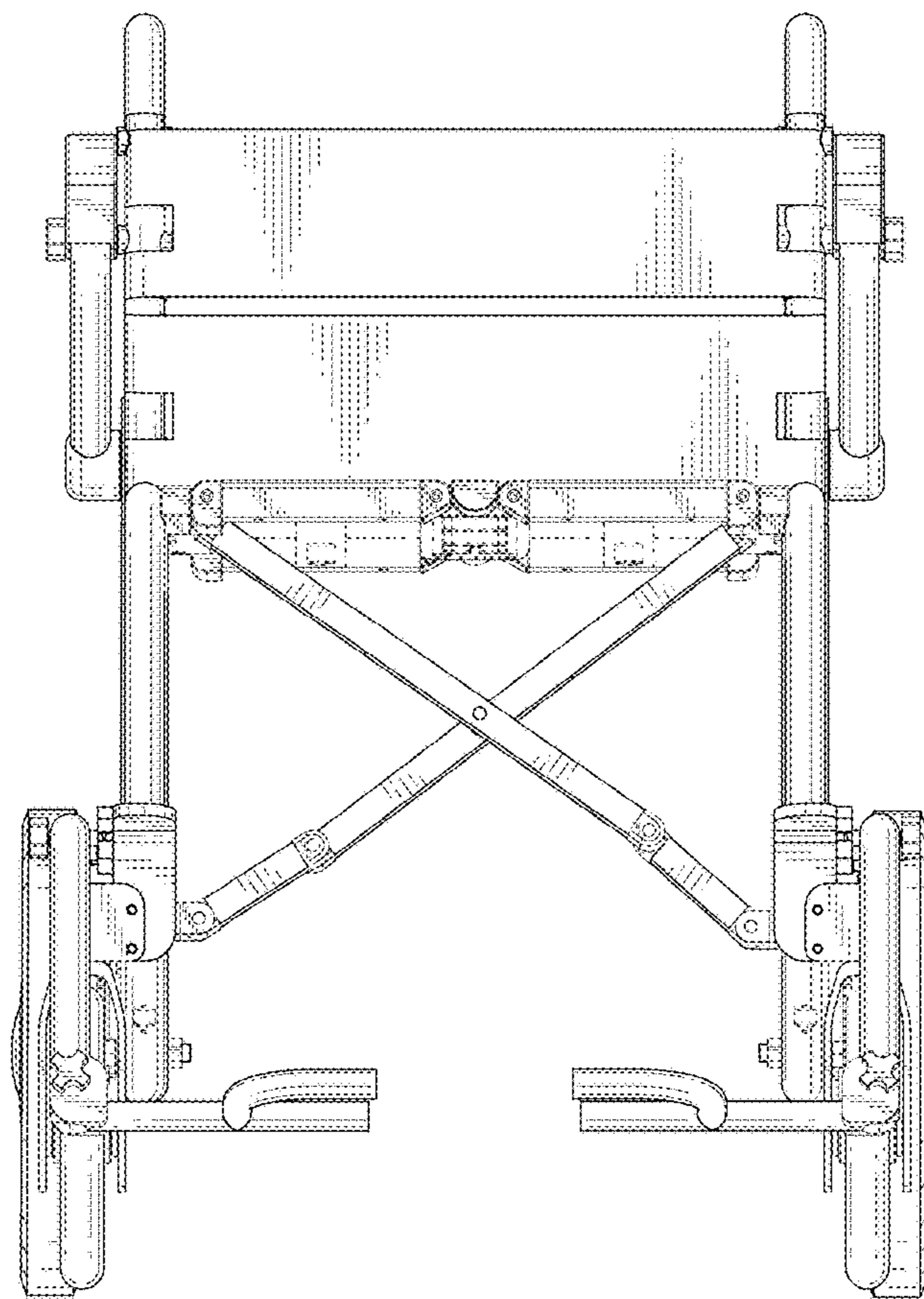


FIG.2

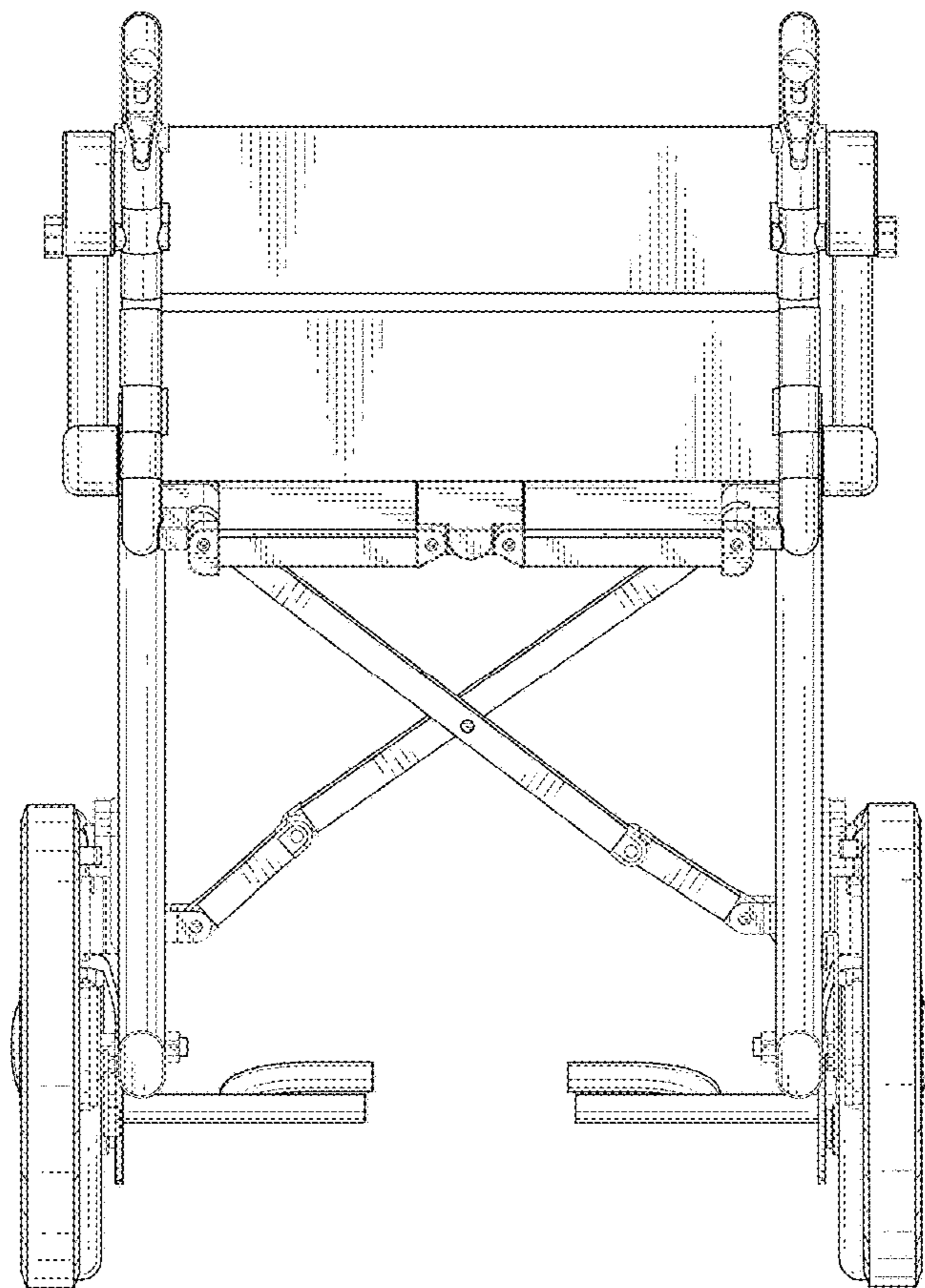


FIG.3

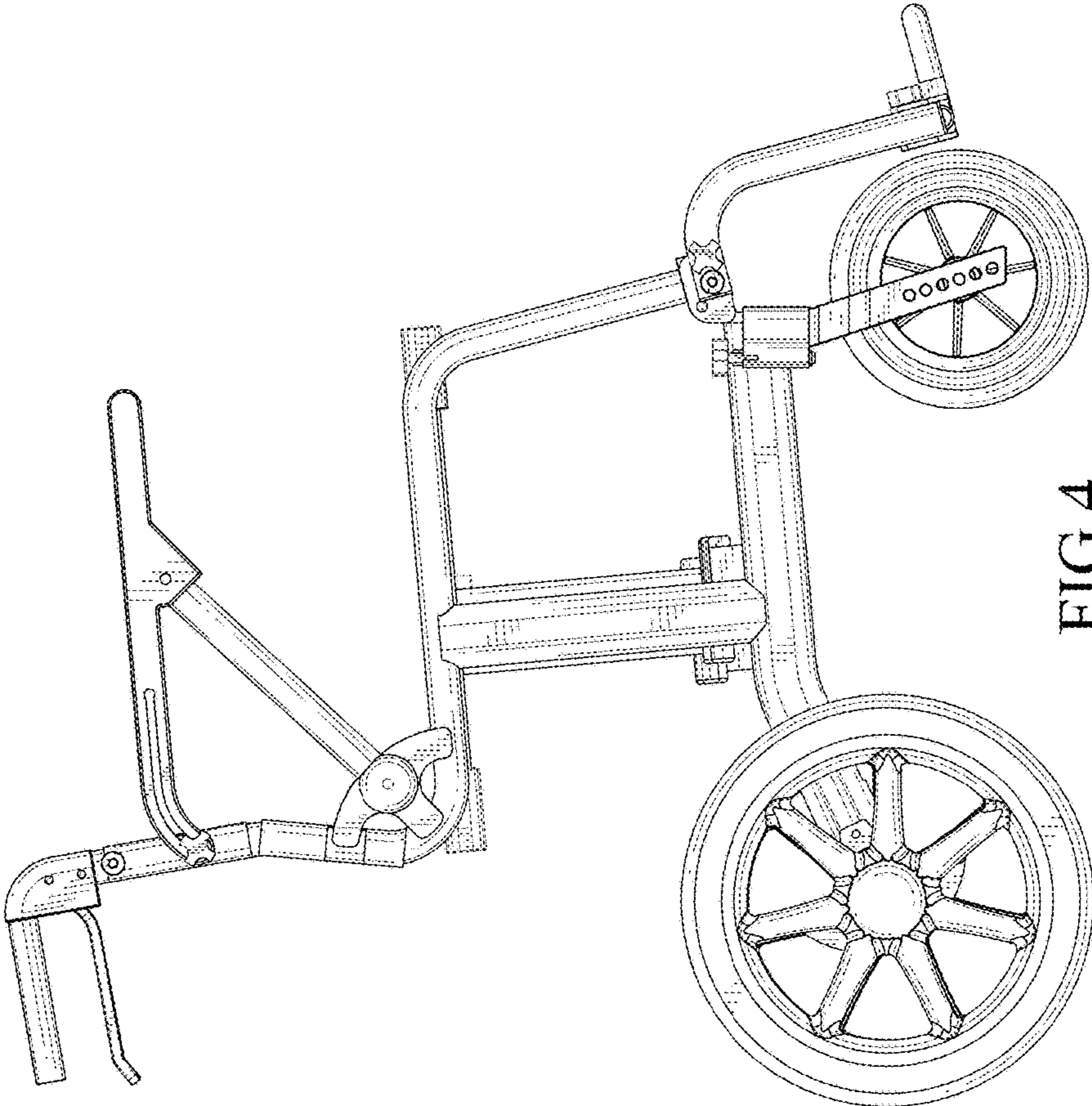


FIG.4

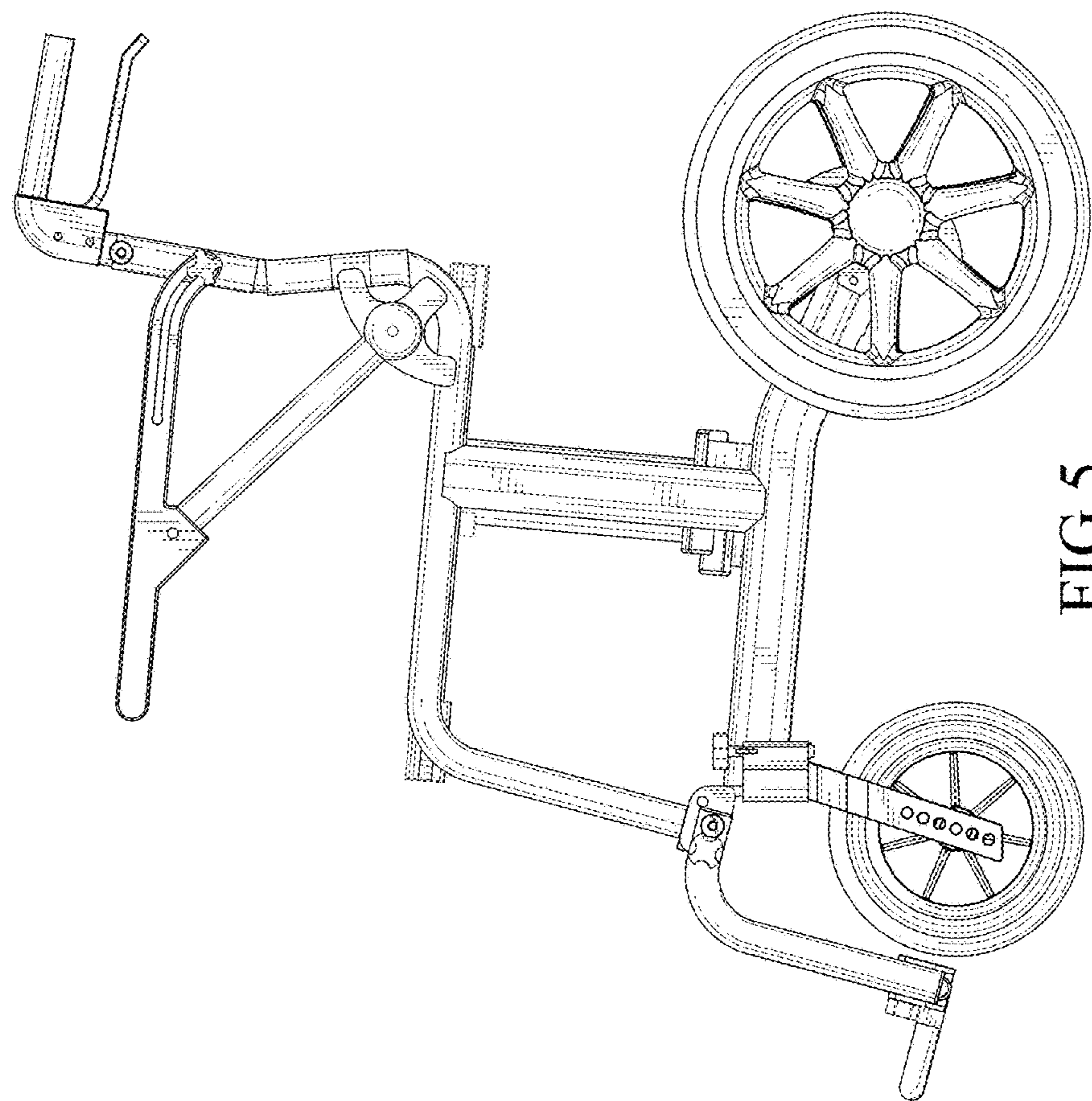


FIG.5

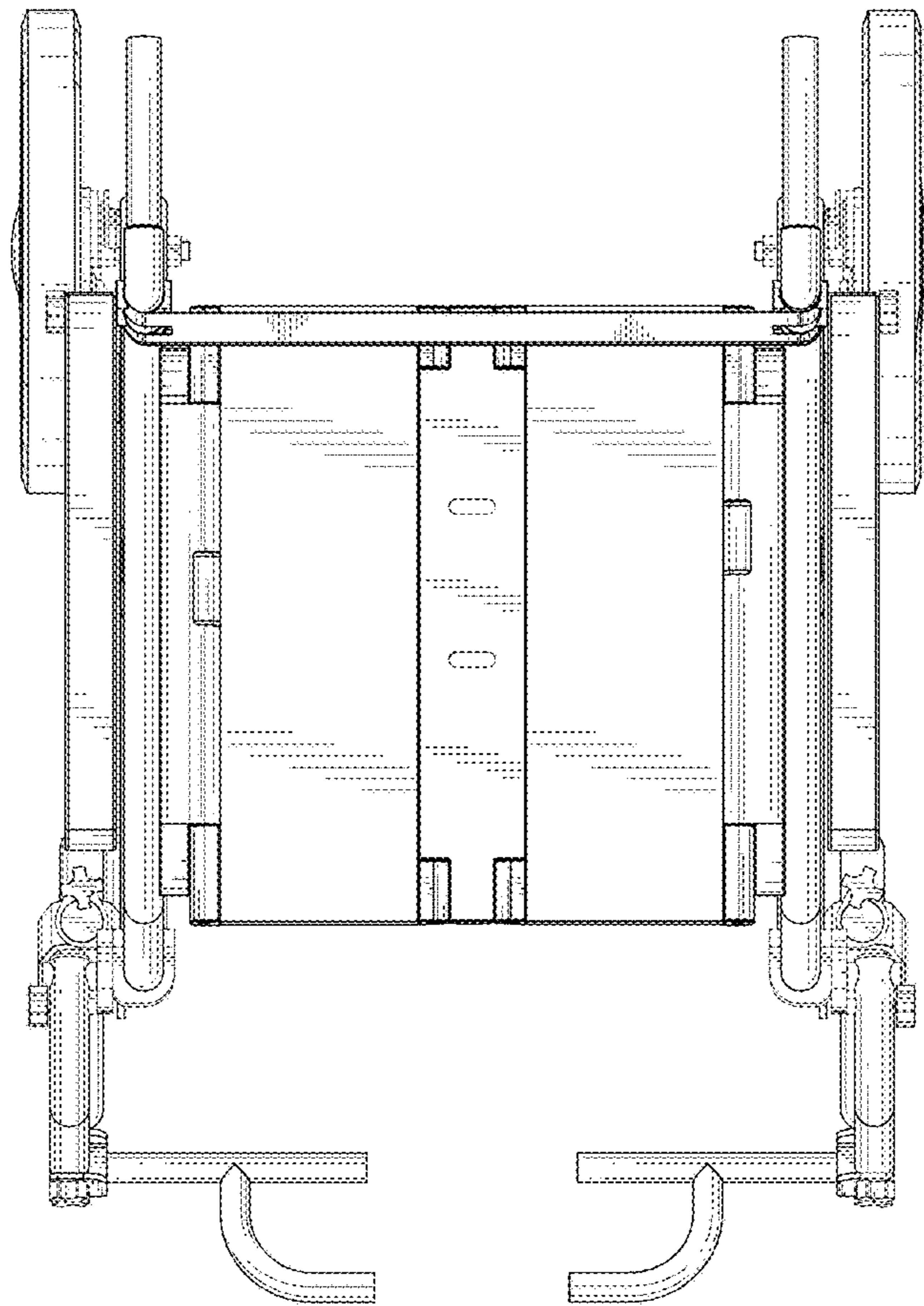


FIG.6

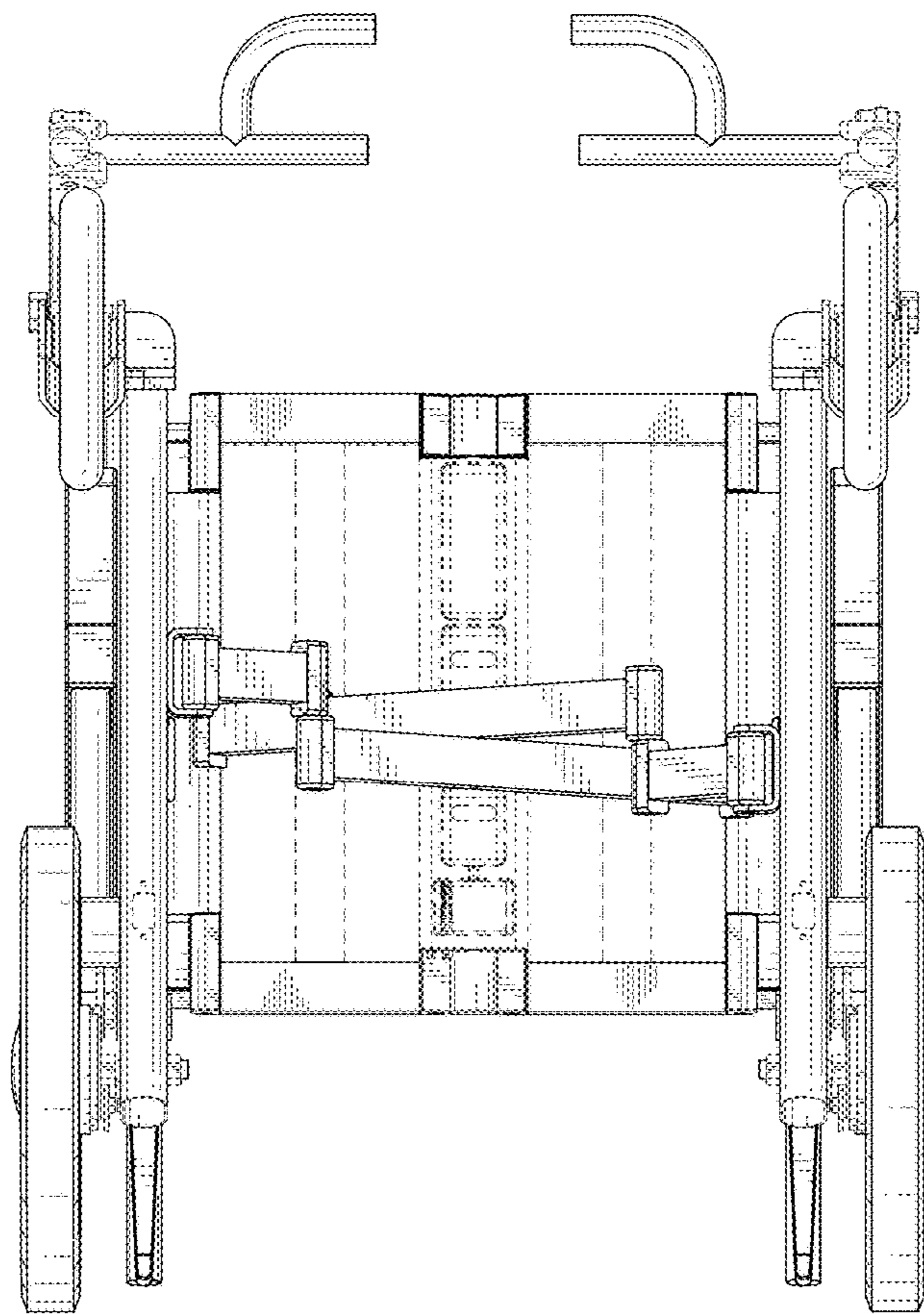


FIG. 7

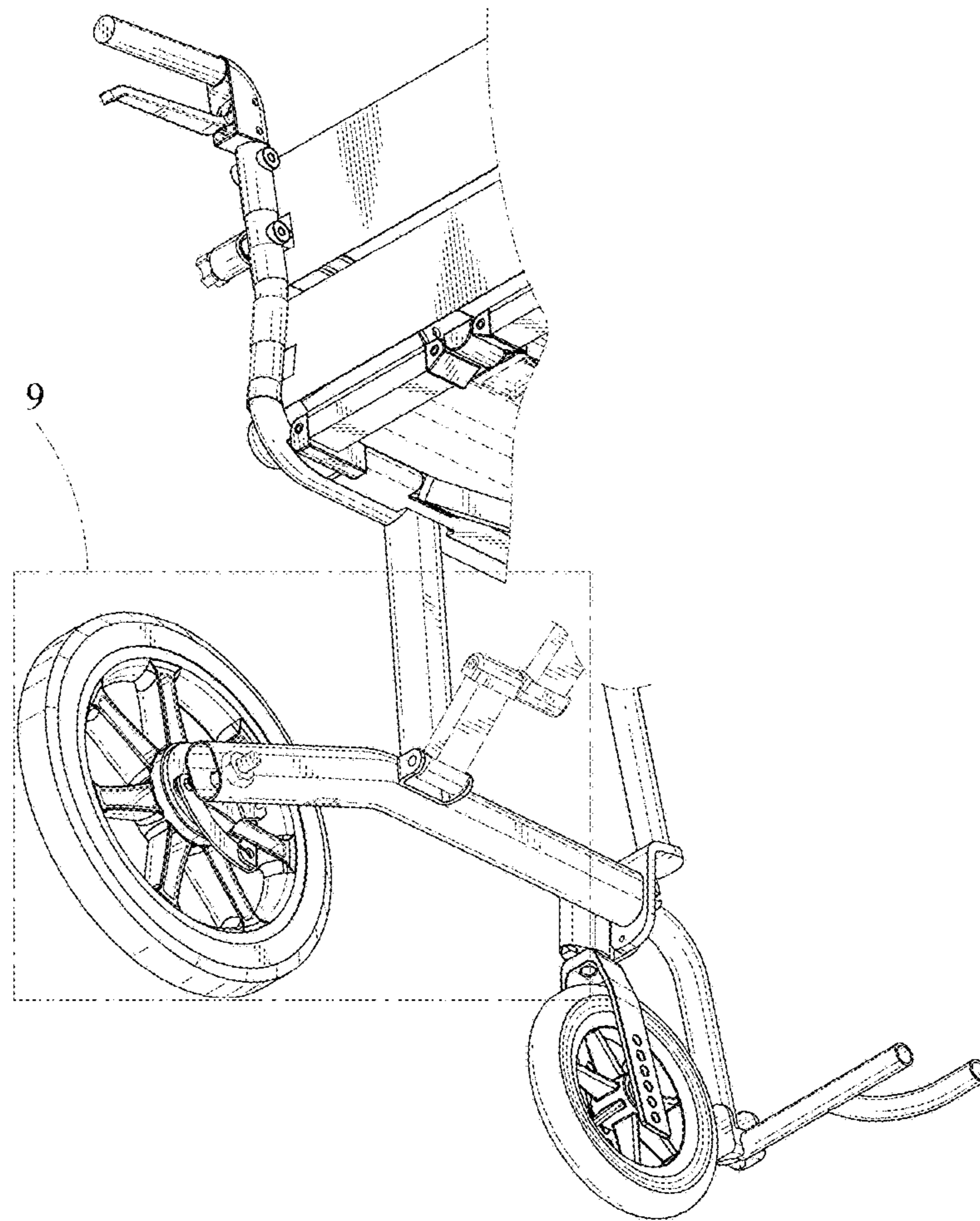


FIG.8

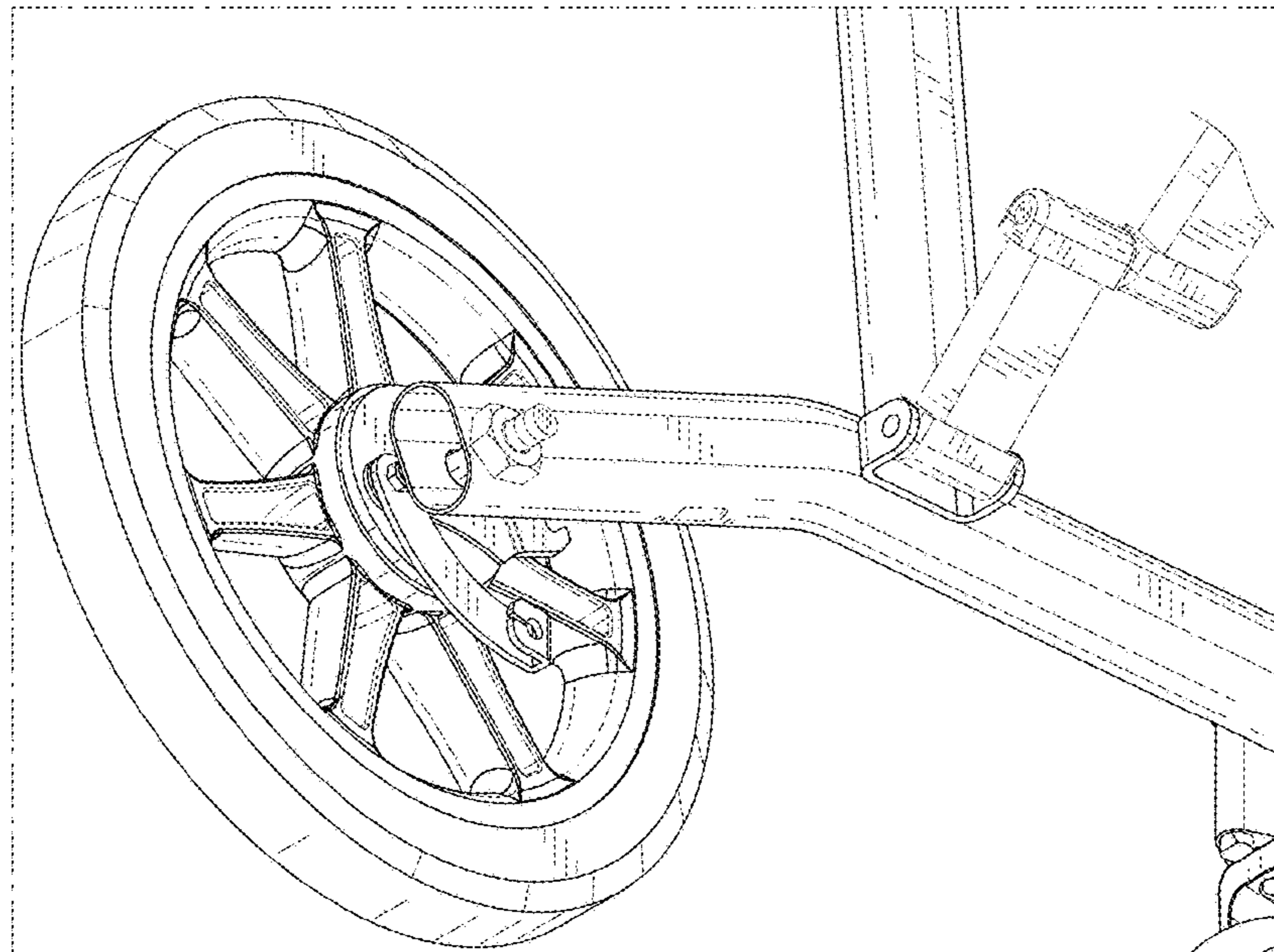


FIG.9

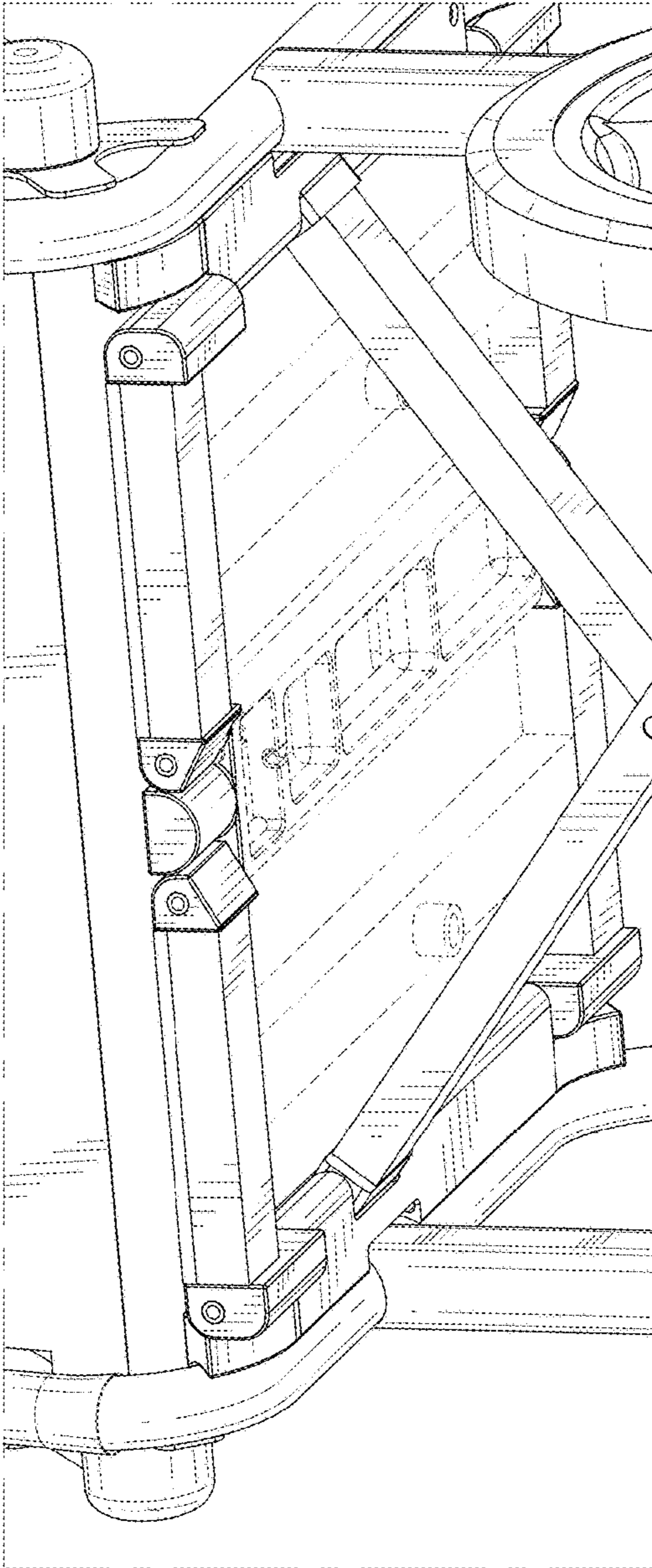


FIG. 10