



US00D838212S

(12) **United States Design Patent**  
**David**

(10) **Patent No.:** **US D838,212 S**

(45) **Date of Patent:** **\*\* Jan. 15, 2019**

(54) **MOTOR SCOOTER**

(71) Applicant: **UJET VEHICLES S.à r.l.**, Bertrange (LU)

(72) Inventor: **Patrick David**, Blaustein (DE)

(73) Assignee: **UJET VEHICLES S.à r.l.**, Bertrange (LU)

(\*\*) Term: **15 Years**

(21) Appl. No.: **29/605,526**

(22) Filed: **May 26, 2017**

(30) **Foreign Application Priority Data**

Nov. 28, 2016 (EP) ..... 003490192

(51) **LOC (11) Cl.** ..... **12-11**

(52) **U.S. Cl.**  
USPC ..... **D12/110**

(58) **Field of Classification Search**  
USPC ..... D12/110, 111, 117; D21/432, 538  
CPC ..... B62K 11/00; B62K 11/02; B62K 11/04;  
B62K 11/10; B62K 17/00; B62K 19/00;  
B62K 2202/00

See application file for complete search history.

(56) **References Cited**

**U.S. PATENT DOCUMENTS**

D269,169 S \* 5/1983 Ban ..... D12/110  
D270,436 S \* 9/1983 Gaddi ..... 296/37.12  
D273,853 S \* 5/1984 Kawashima ..... D12/110  
D286,521 S \* 11/1986 Tanaka ..... D12/110  
D287,833 S \* 1/1987 Moselli ..... D12/110  
D287,834 S \* 1/1987 Ito ..... D12/110  
D290,824 S \* 7/1987 Miura ..... D12/110  
4,715,465 A \* 12/1987 Takahashi ..... B62J 17/00  
180/219  
D304,555 S \* 11/1989 Nishiyama ..... D12/110  
D331,553 S \* 12/1992 Agnolucci ..... D12/110

D490,750 S \* 6/2004 Hoshino ..... D12/110  
D503,907 S \* 4/2005 Beggio ..... D12/110  
D514,987 S \* 2/2006 Hsiao ..... D12/110  
D529,415 S \* 10/2006 Shimada ..... D12/110  
D537,386 S \* 2/2007 Mizuta ..... D12/110  
D537,756 S \* 3/2007 Kitayama ..... D12/110  
D574,300 S \* 8/2008 Kitayama ..... D12/110  
D585,334 S \* 1/2009 Chiu ..... D12/110  
D596,992 S \* 7/2009 Yang ..... D12/110

(Continued)

*Primary Examiner* — Darlington Ly

(74) *Attorney, Agent, or Firm* — Marshall, Gerstein & Borun LLP

(57) **CLAIM**

The ornamental design for a motor scooter, as shown and described.

**DESCRIPTION**

FIG. 1 is a top, front, and left perspective view of a motor scooter showing my new design in accordance with a first embodiment;

FIG. 2 is a front elevation view thereof;

FIG. 3 is a rear elevation view thereof;

FIG. 4 is a left side elevation view thereof;

FIG. 5 is a right side elevation view thereof;

FIG. 6 is a top plan view thereof;

FIG. 7 is a bottom plan view thereof;

FIG. 8 is a top, front, and left perspective view of a motor scooter showing my new design in accordance with a second embodiment;

FIG. 9 is a front elevation view thereof;

FIG. 10 is a rear elevation view thereof;

FIG. 11 is a left side elevation view thereof;

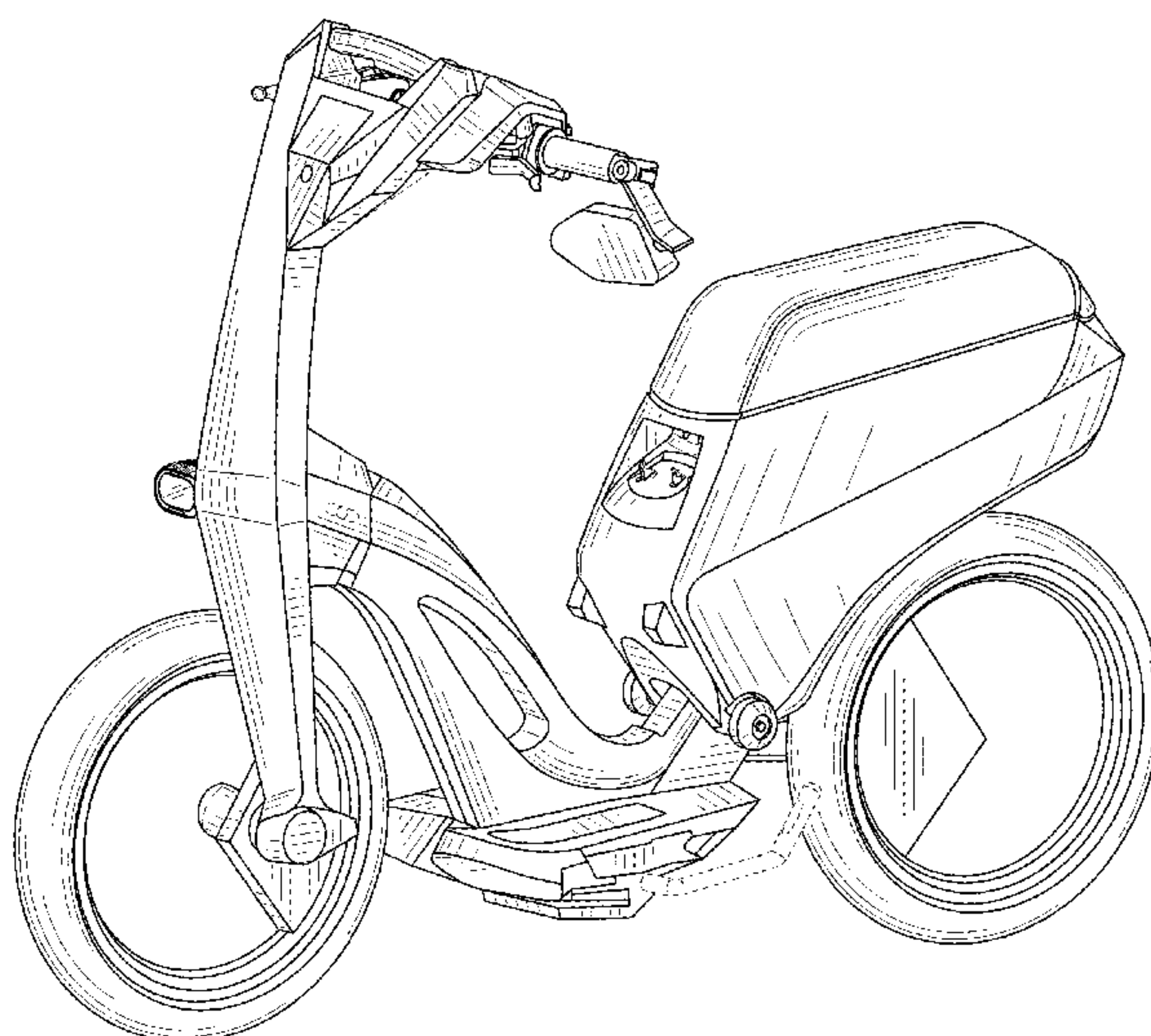
FIG. 12 is a right side elevation view thereof;

FIG. 13 is a top plan view thereof; and,

FIG. 14 is a bottom plan view thereof.

The broken lines in the drawings illustrate portions of the motor scooter that form no part of the claimed design.

**1 Claim, 14 Drawing Sheets**



(56)

**References Cited**

U.S. PATENT DOCUMENTS

D602,813	S *	10/2009	Chao .....	D12/110
D602,815	S *	10/2009	Lin .....	D12/110
D612,770	S *	3/2010	Chen .....	D12/110
D622,637	S *	8/2010	Schneider .....	D12/110
D642,497	S *	8/2011	Lin .....	D12/110
D644,961	S *	9/2011	Watanabe .....	D12/110
D647,006	S *	10/2011	Hung .....	D12/110
D657,722	S *	4/2012	Lambri .....	D12/110
D664,898	S *	8/2012	Van Hooydonk .....	D12/110
D673,882	S *	1/2013	Tartarini .....	D12/110
D678,128	S *	3/2013	Lambri .....	D12/110
D680,911	S *	4/2013	Wu .....	D12/110
D690,235	S *	9/2013	Wu .....	D12/110
D727,799	S *	4/2015	Castrucci .....	D12/110
D729,124	S *	5/2015	Lambri .....	D12/110
D735,084	S *	7/2015	Lambri .....	D12/110
9,073,594	B2	7/2015	Sluijter et al.	
D742,791	S *	11/2015	Sanderson .....	D12/110
D761,699	S *	7/2016	Watanabe .....	D12/110
9,463,843	B2 *	10/2016	Tseng .....	B62J 1/00
D806,610	S *	1/2018	Su .....	D12/110

\* cited by examiner

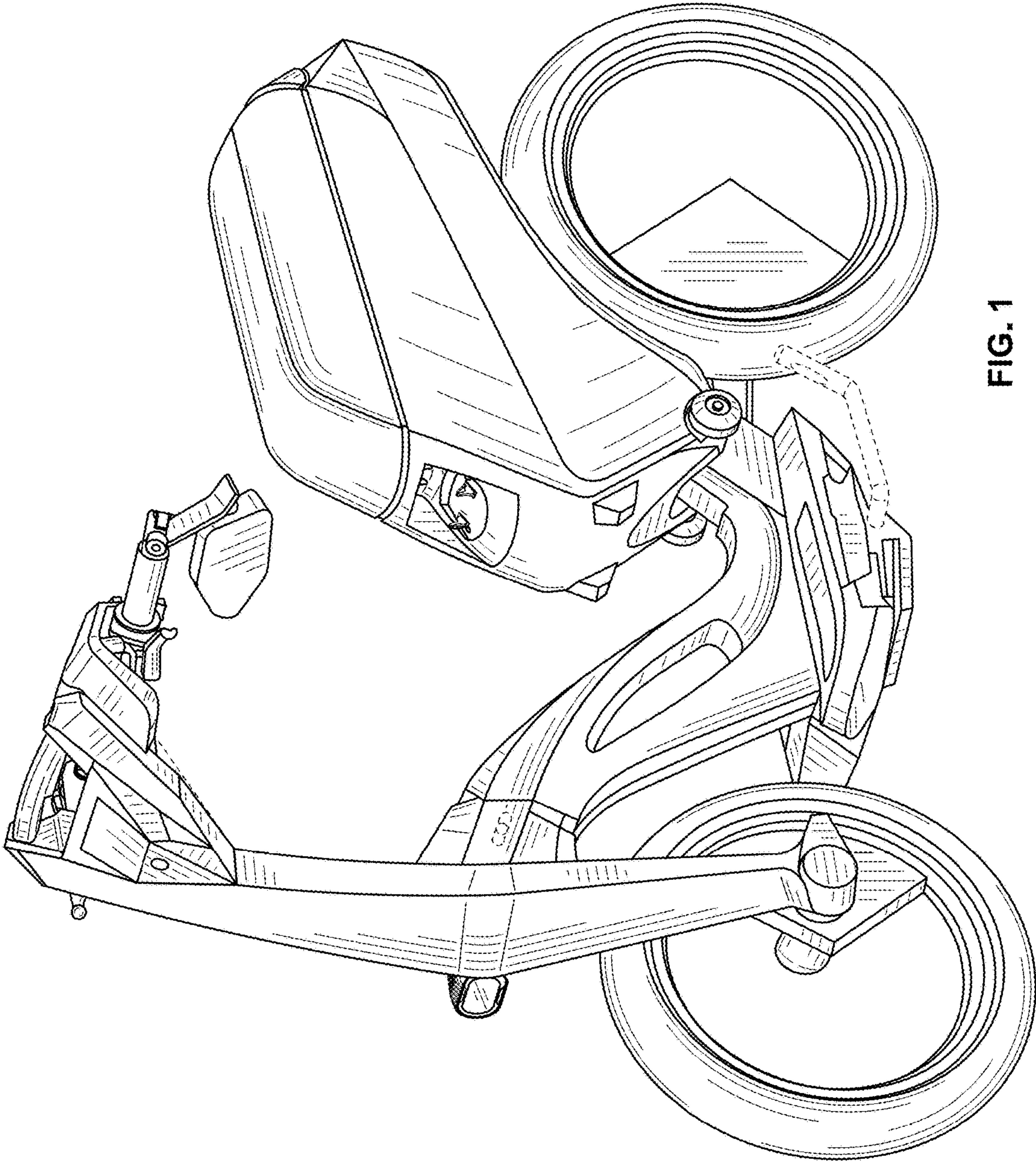


FIG. 1



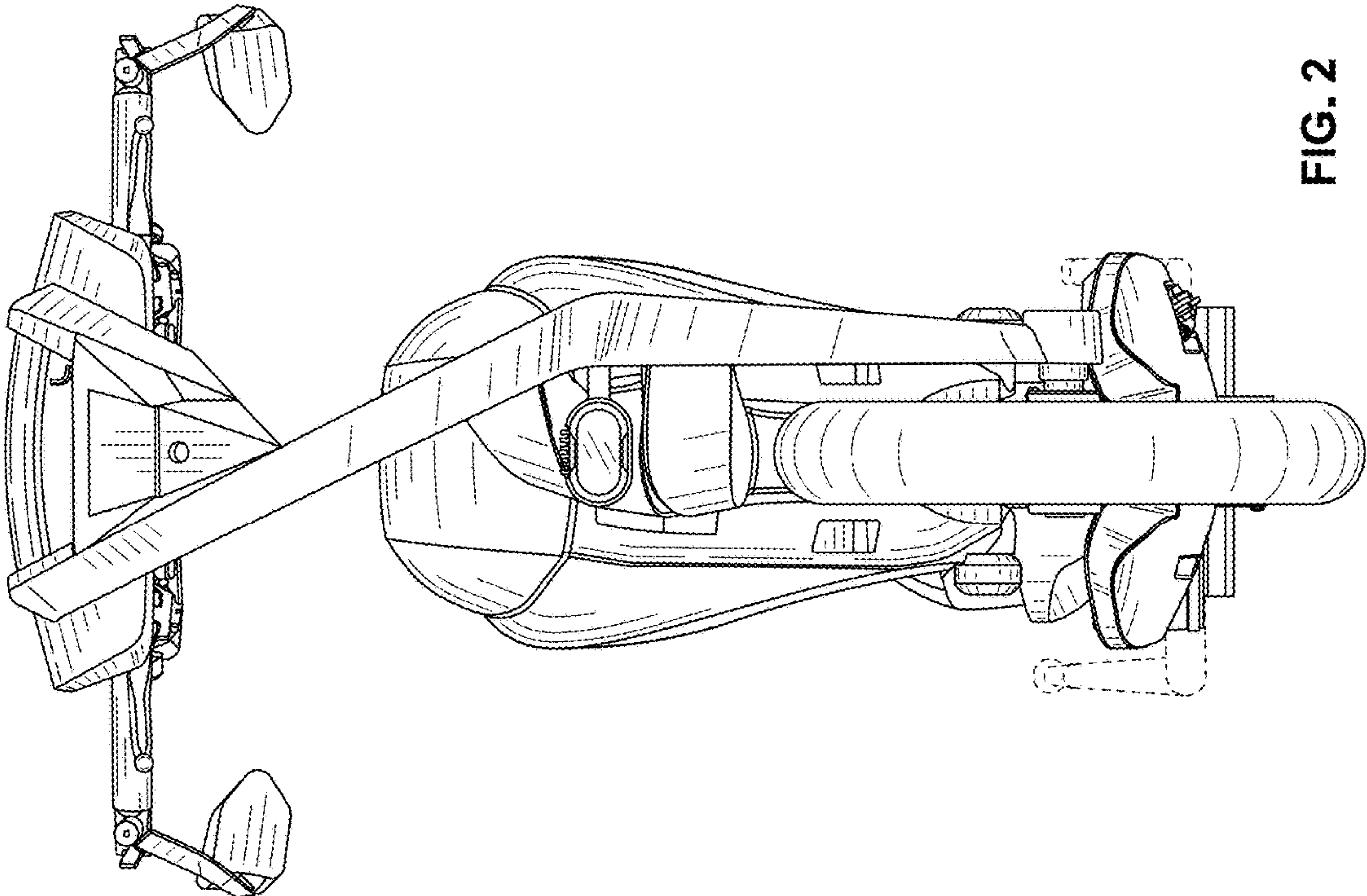


FIG. 2

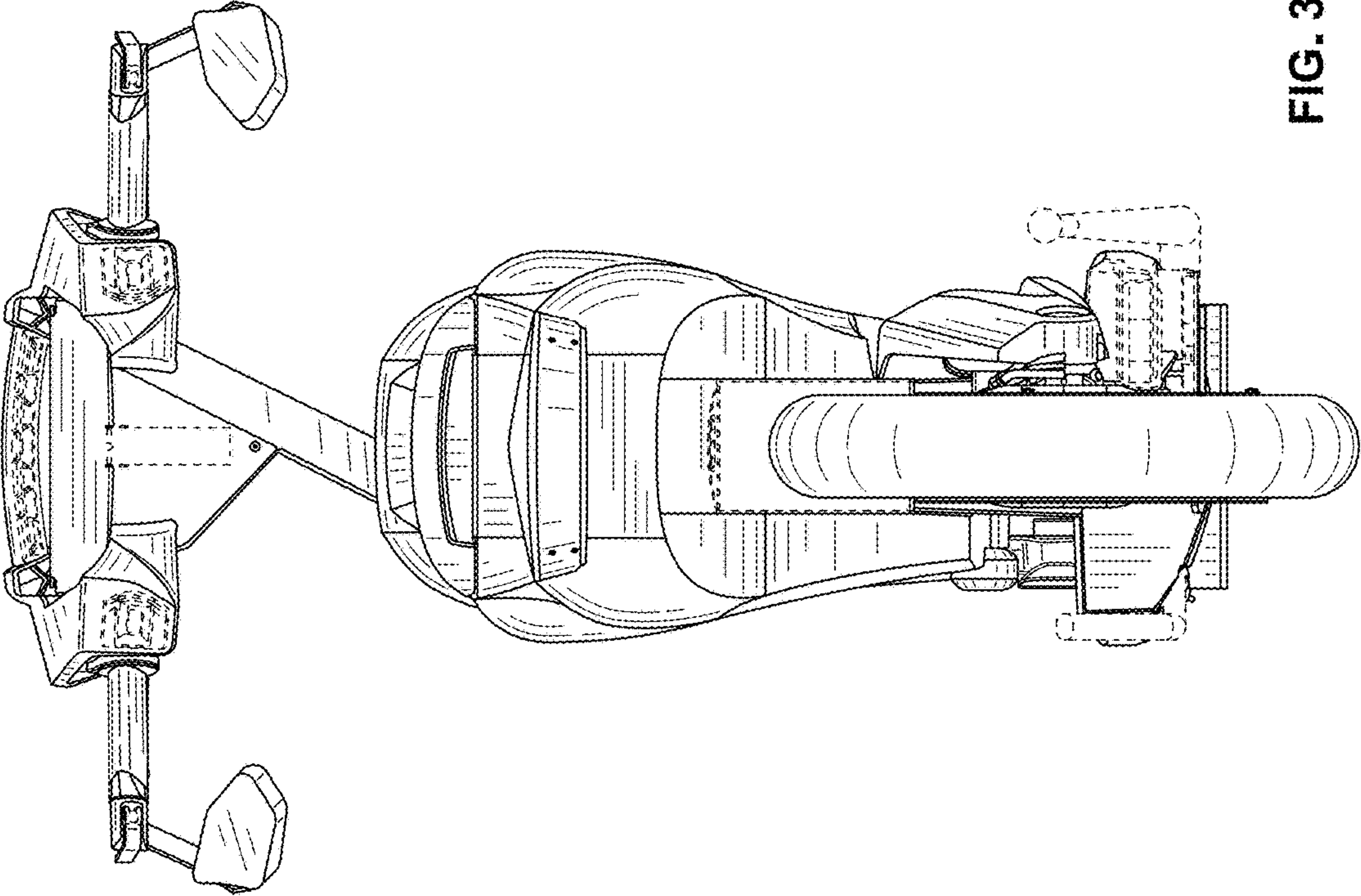


FIG. 3

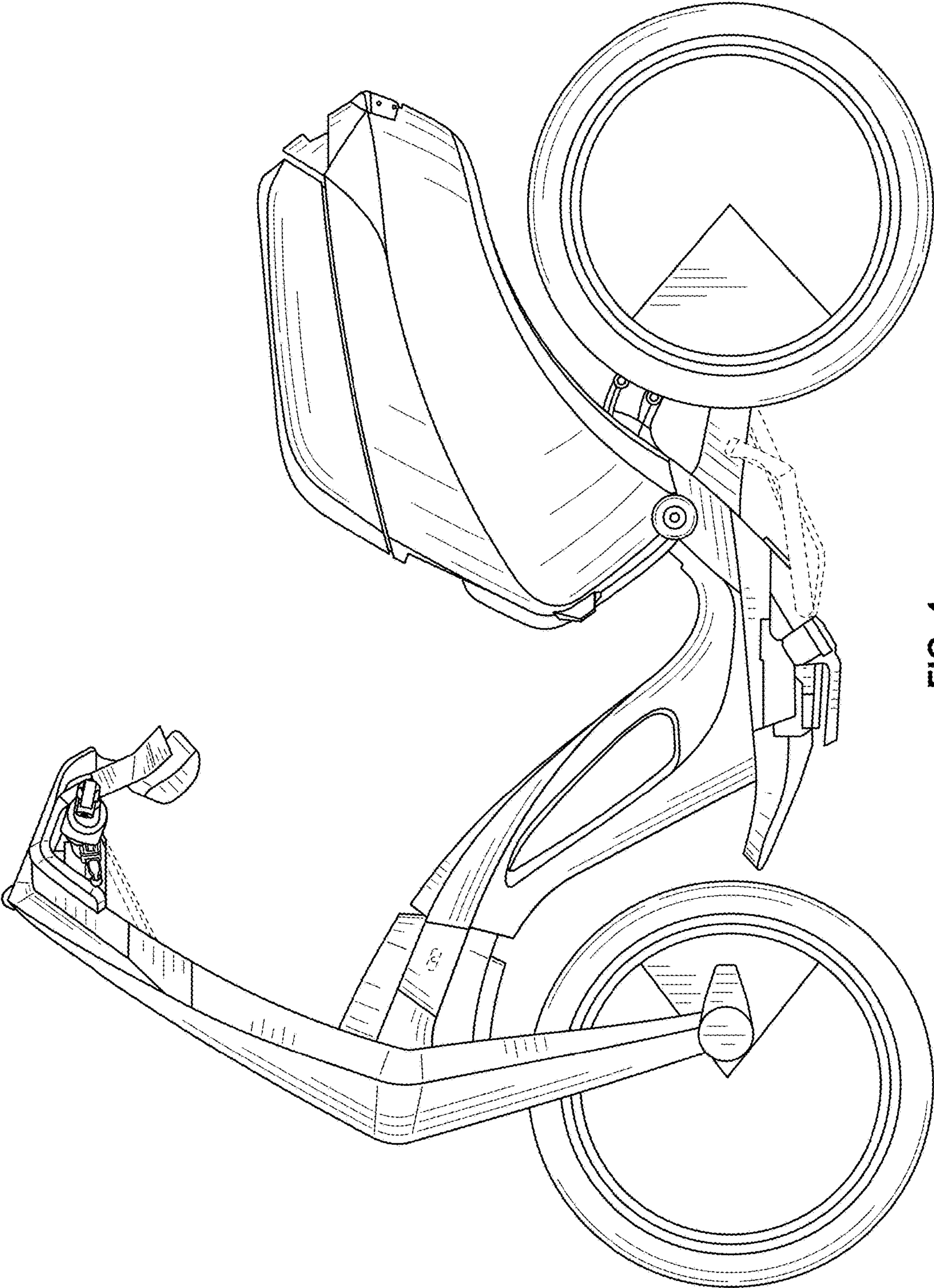


FIG. 4



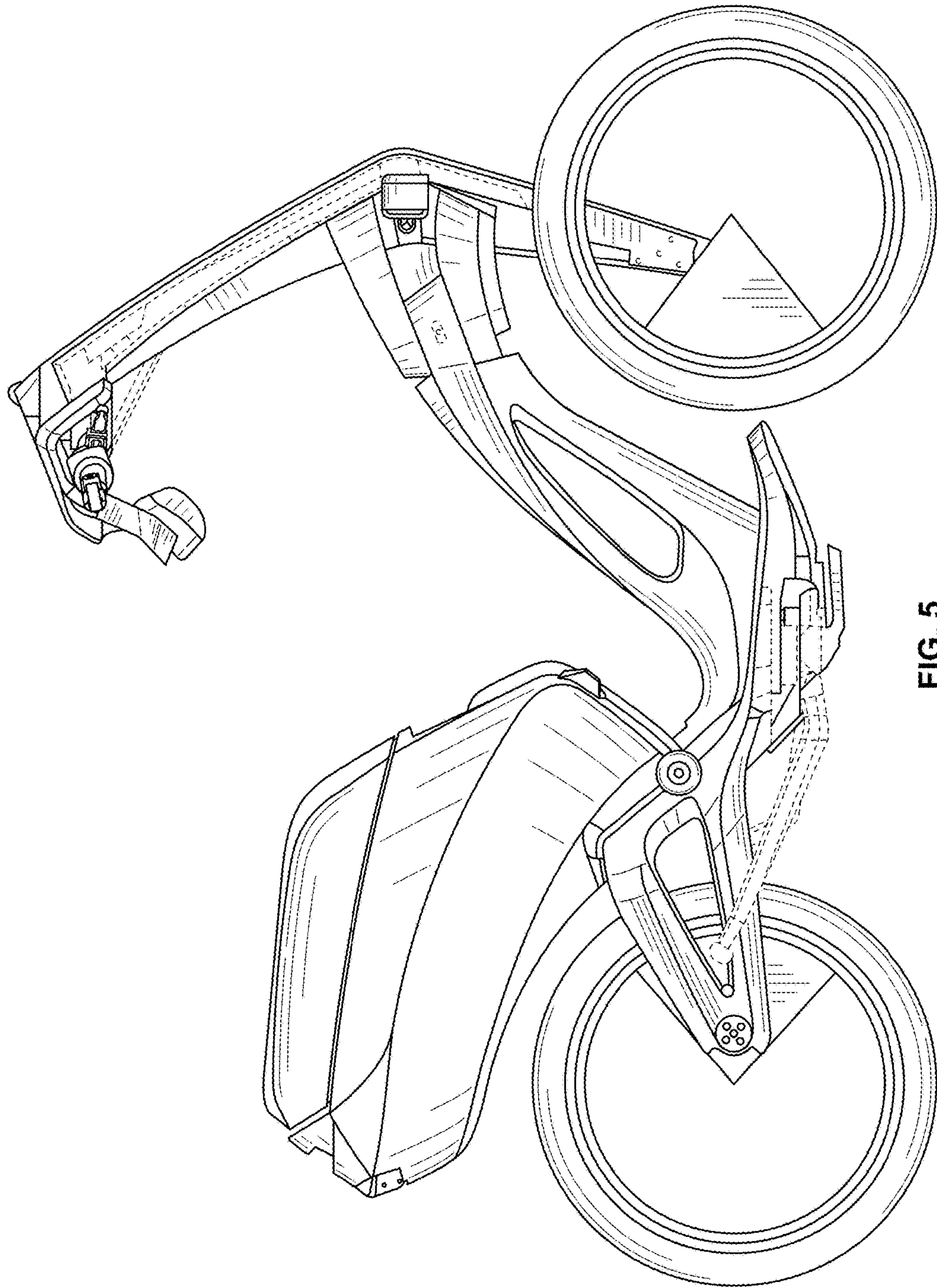


FIG. 5

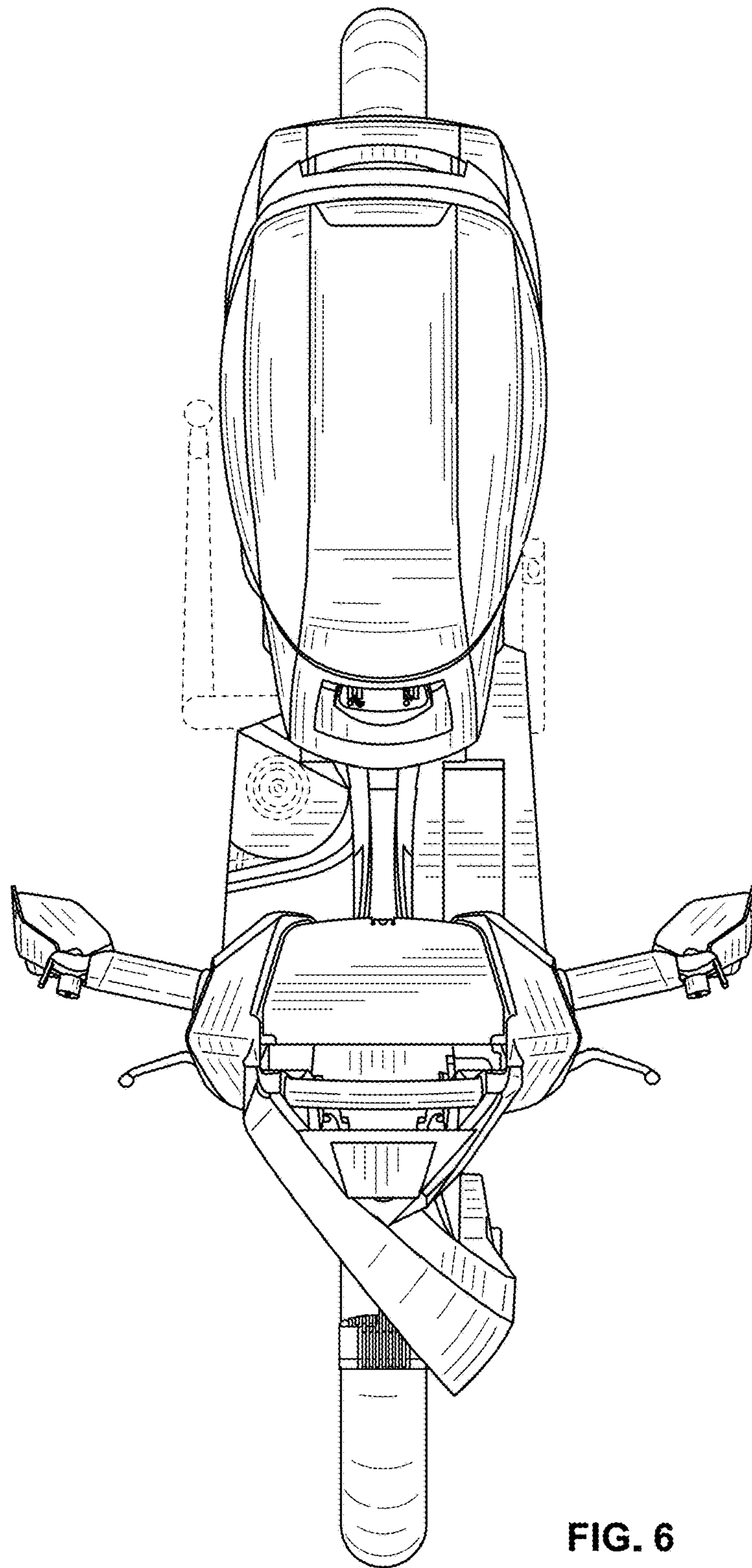


FIG. 6



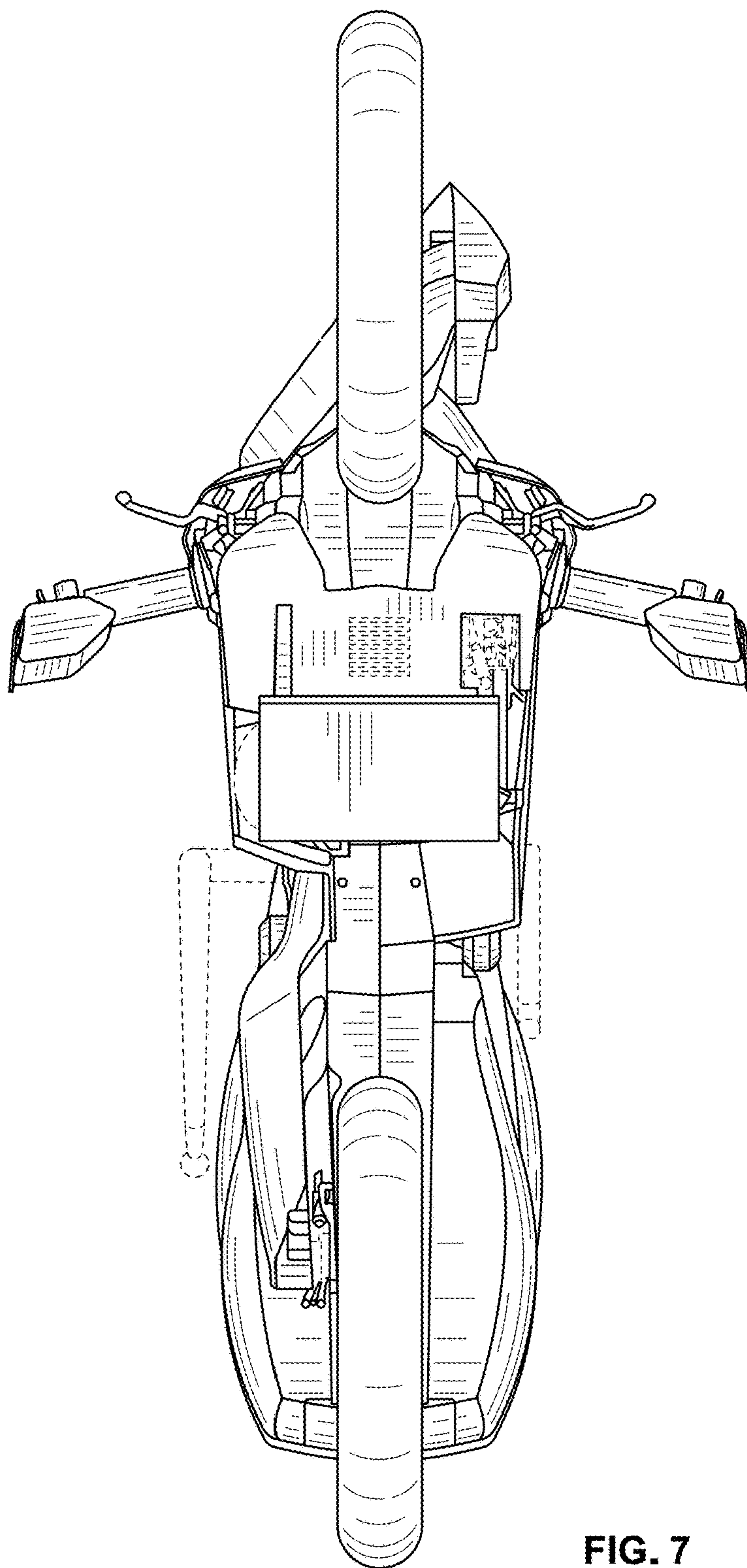


FIG. 7

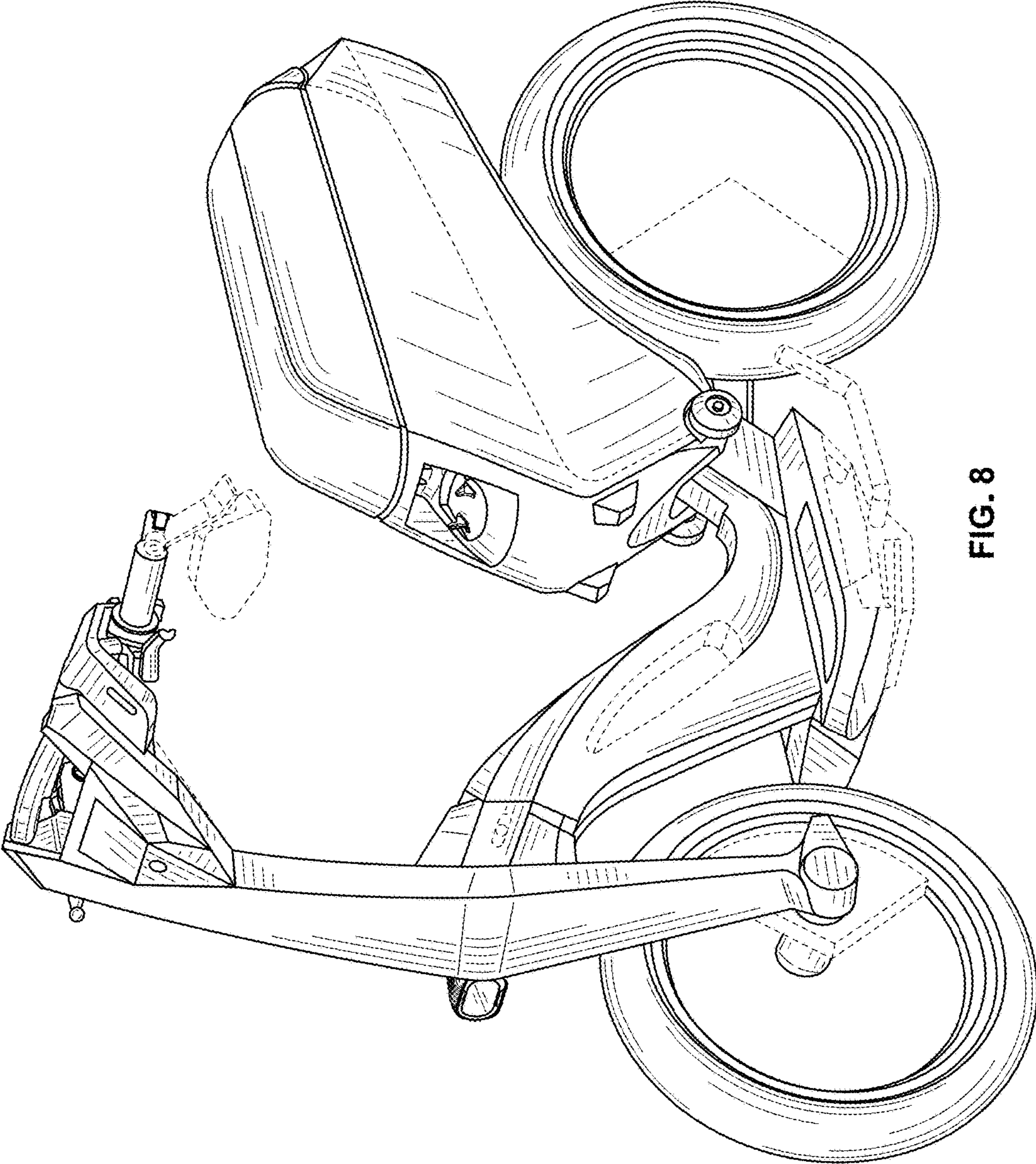


FIG. 8

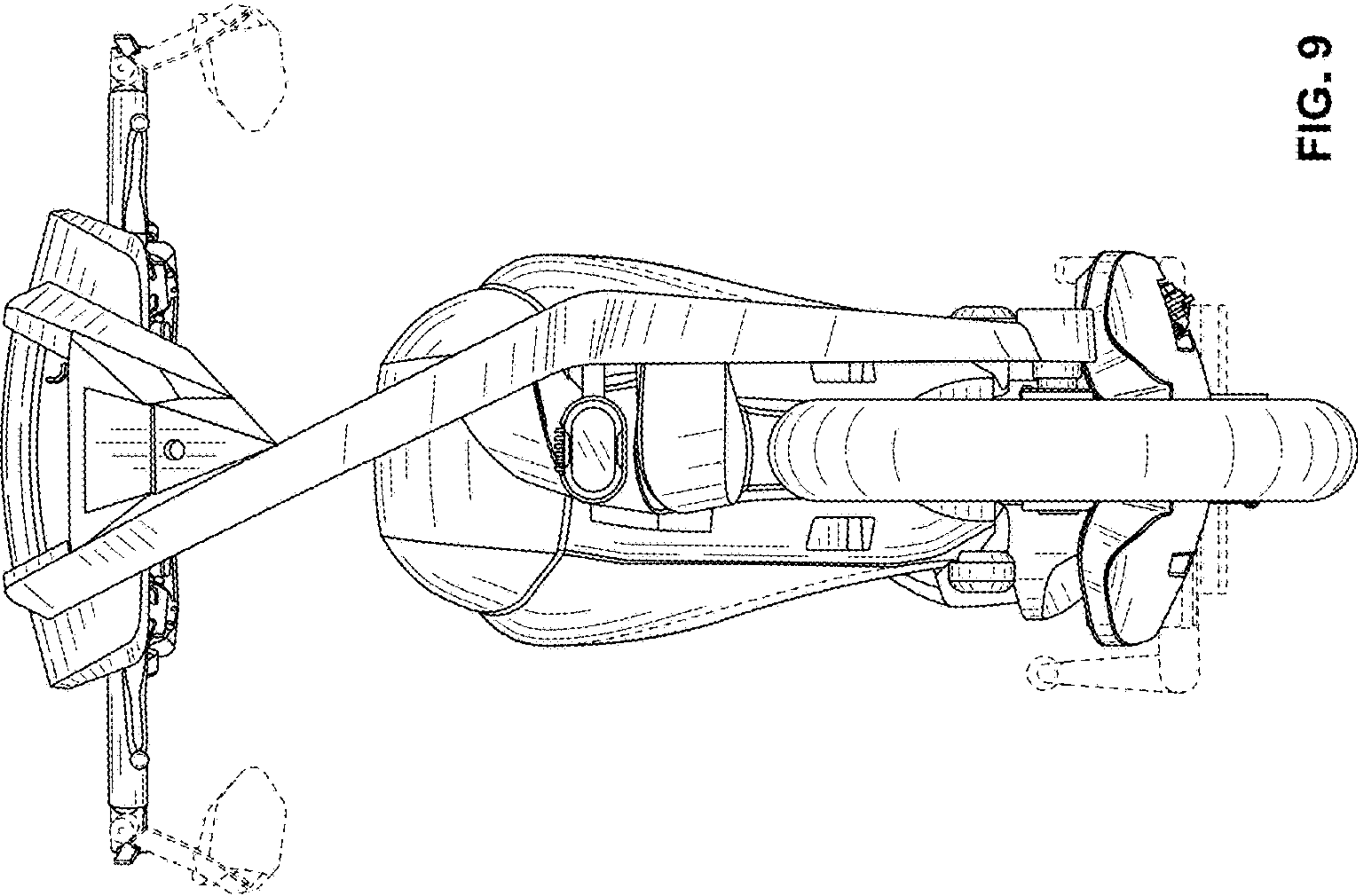


FIG. 9



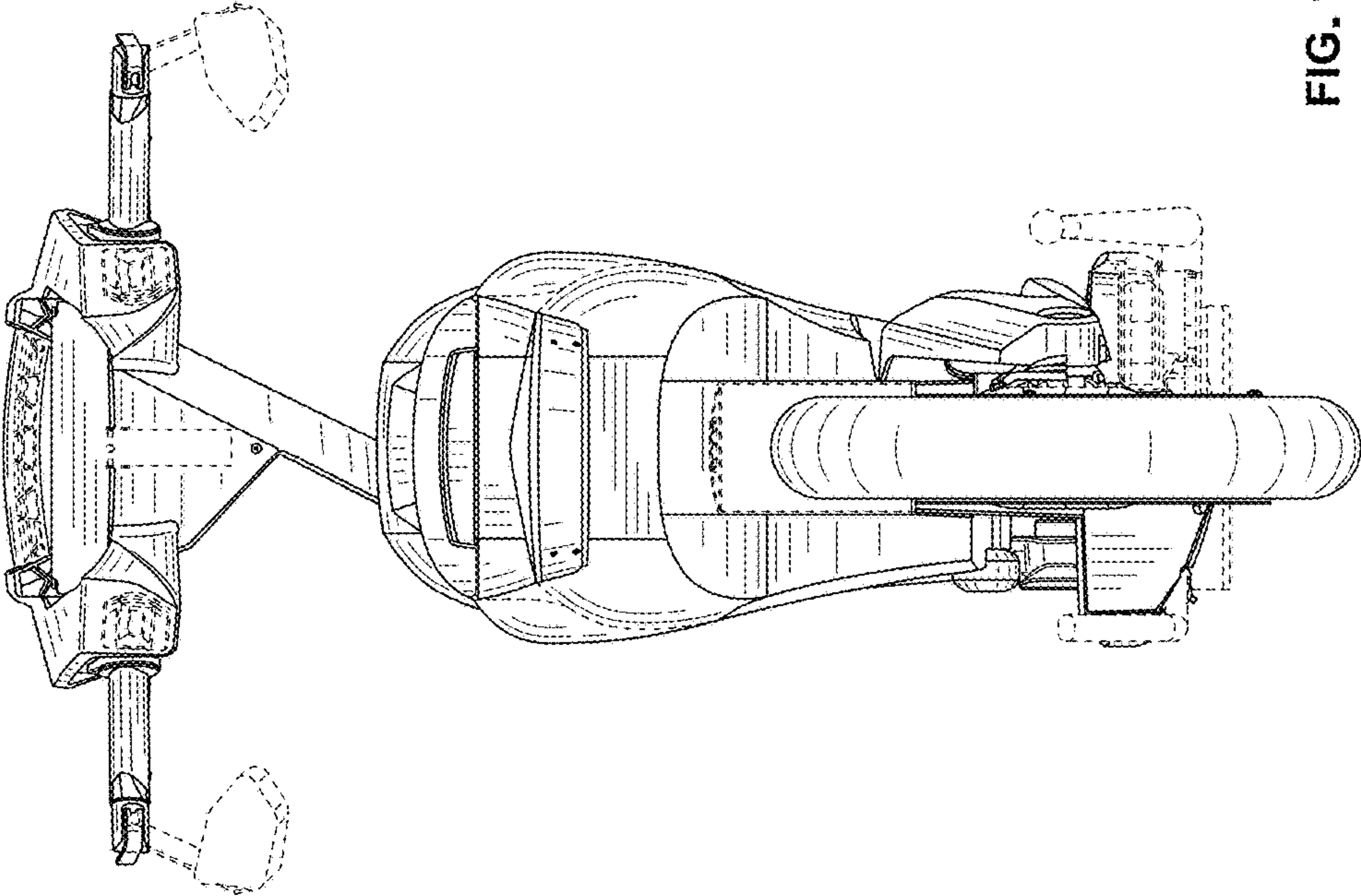


FIG. 10

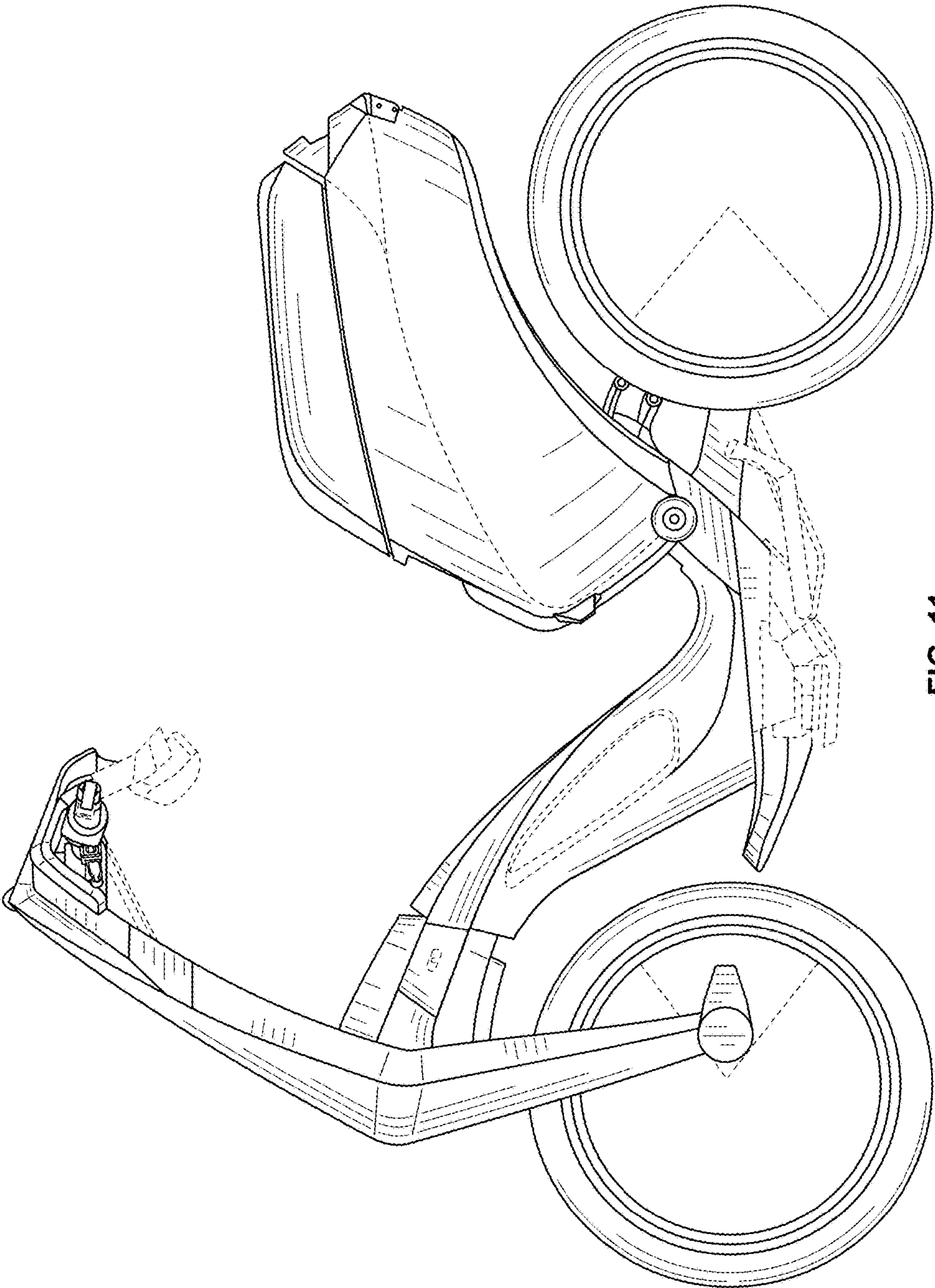


FIG. 11

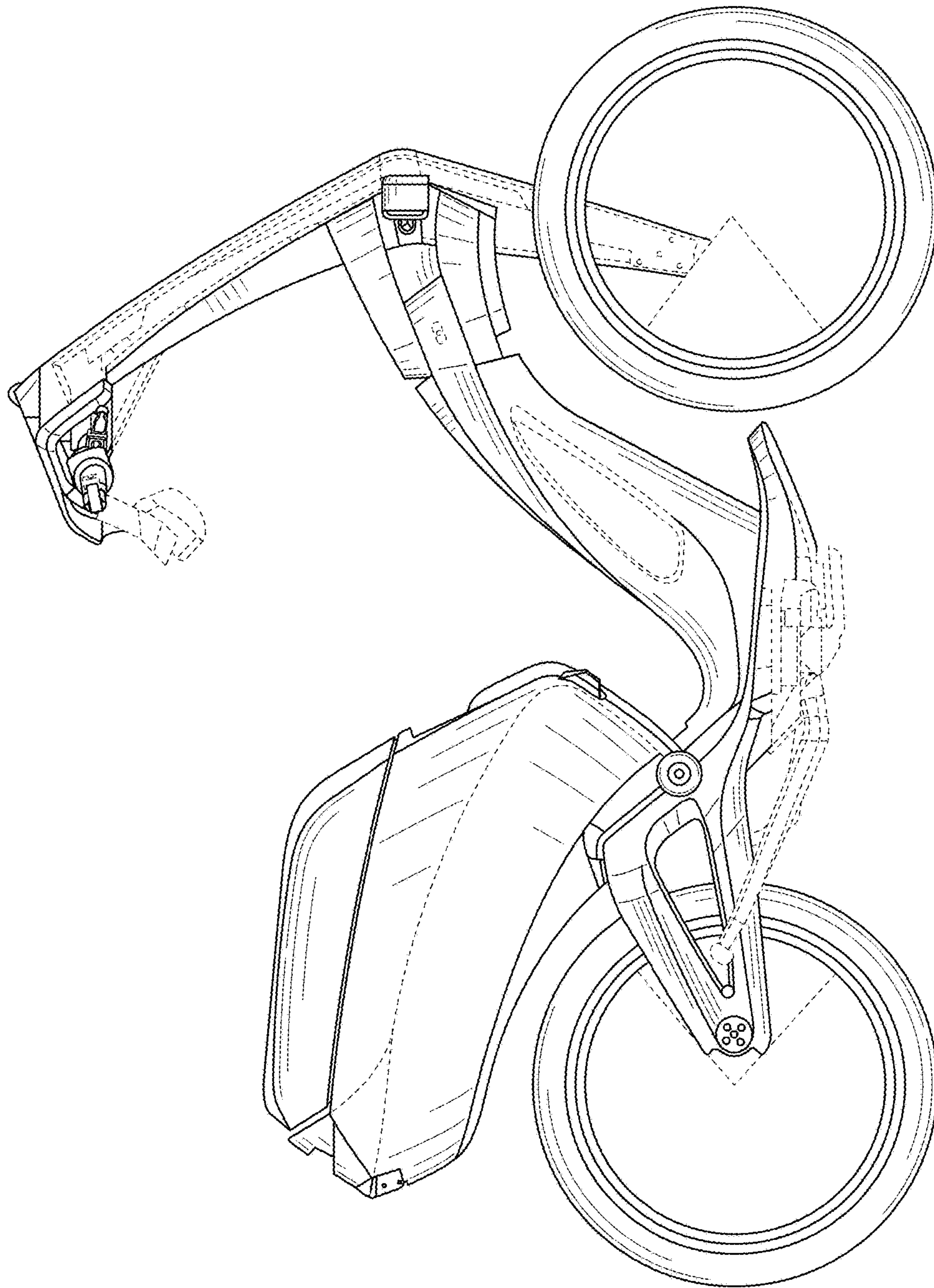


FIG. 12



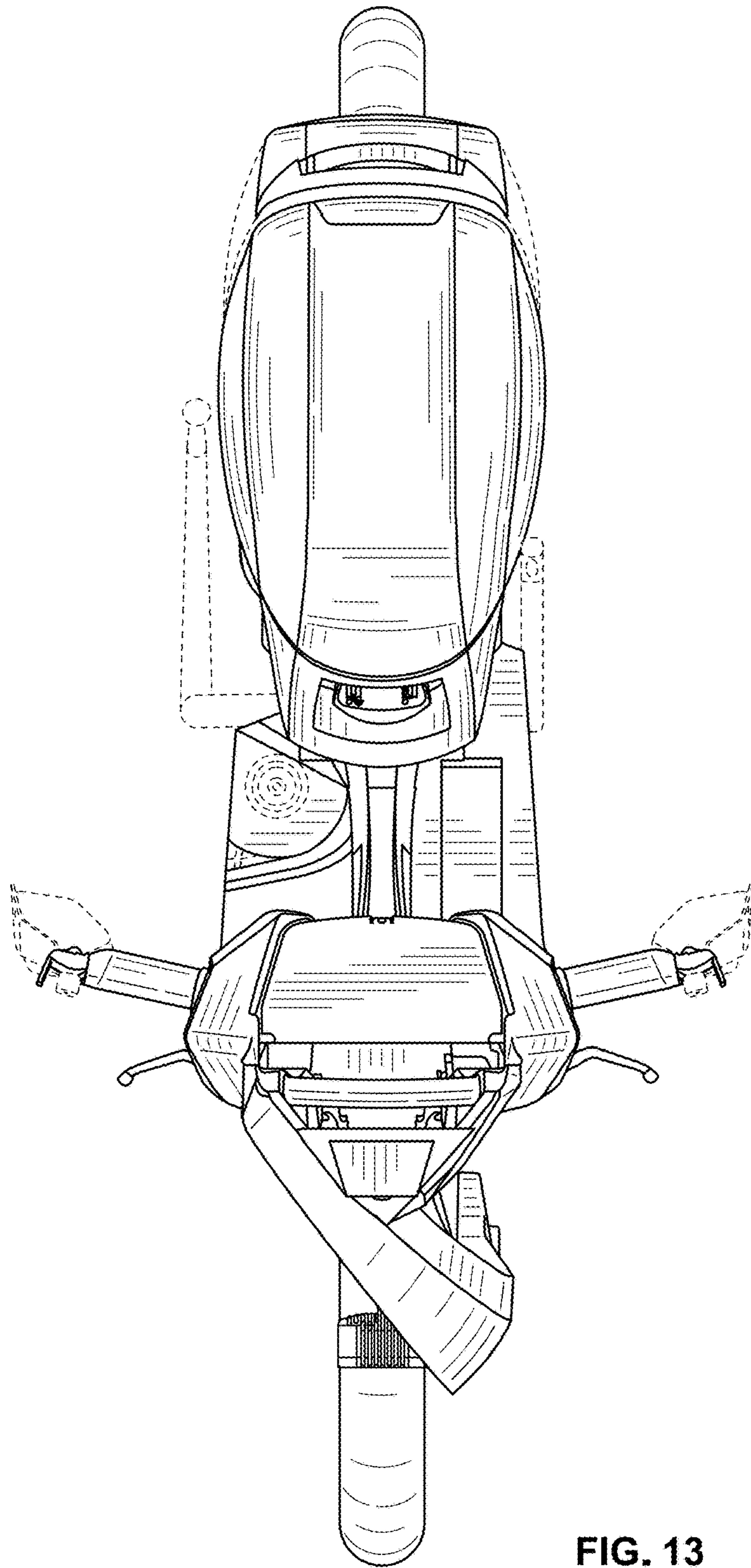


FIG. 13

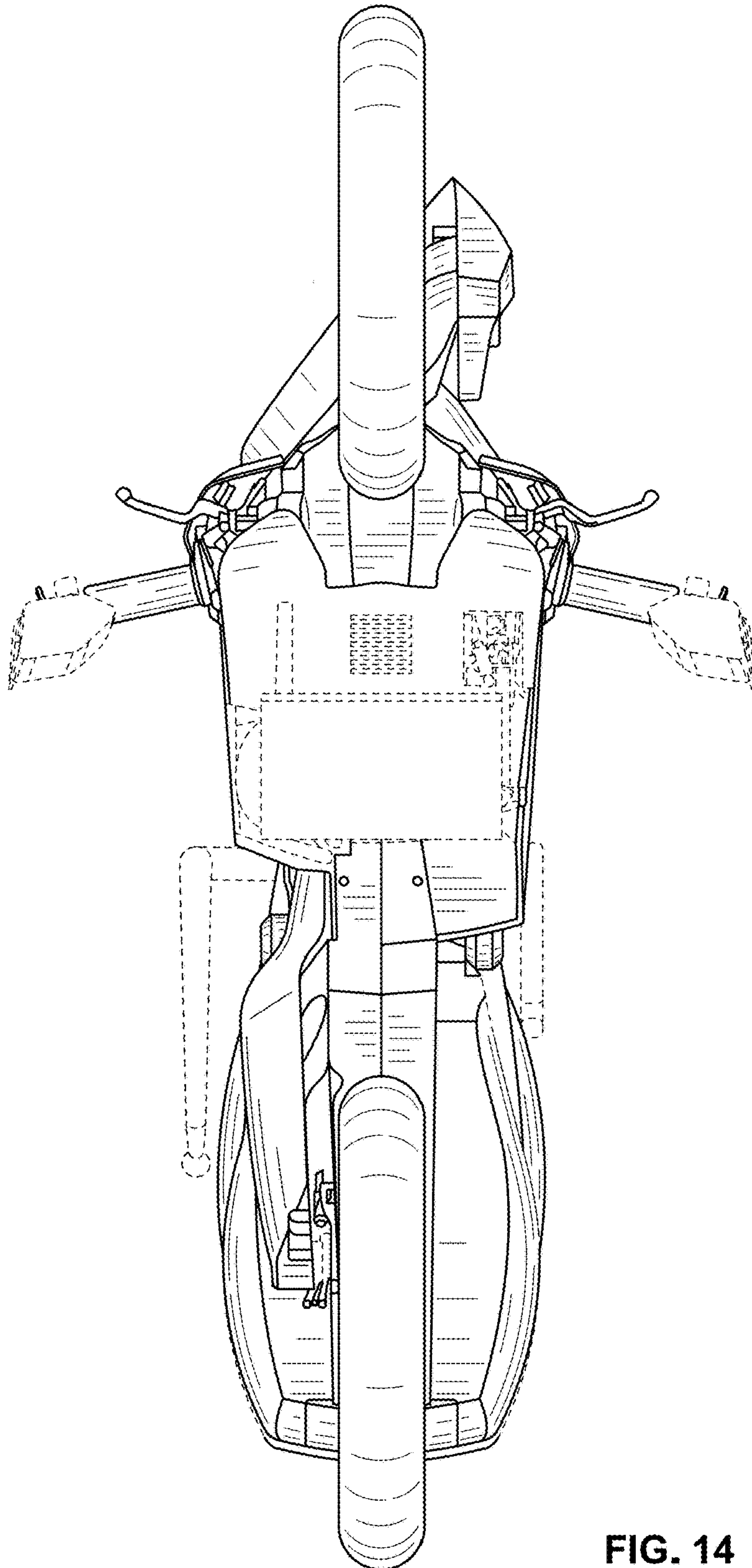


FIG. 14