



US00D838208S

(12) **United States Design Patent** (10) **Patent No.:** **US D838,208 S**
Hirabayashi et al. (45) **Date of Patent:** **** Jan. 15, 2019**

(54) **FASTENER**

D642,089 S * 7/2011 Chan D11/220
D813,720 S * 3/2018 Fantauzzo D11/200
2018/0263322 A1* 9/2018 Martin A41F 1/008

(71) Applicants: **MORITO CO., LTD.**, Osaka (JP);
AMAGASAKI SEIKAN CO., LTD.,
Amagasaki-shi (JP)

(72) Inventors: **Yoshitaka Hirabayashi**, Osaka (JP);
Manabu Miyamoto, Amagasaki (JP)

(**) Term: **15 Years**

(21) Appl. No.: **35/503,854**

(22) Filed: **Apr. 27, 2017**

(80) **Hague Agreement Data**

Int. Filing Date: **Apr. 27, 2017**
Int. Reg. No.: **DM/095982**
Int. Reg. Date: **Apr. 27, 2017**
Int. Reg. Pub. Date: **Oct. 27, 2017**

(51) **LOC (11) Cl.** **02-07**

(52) **U.S. Cl.**
USPC **D11/220**

(58) **Field of Classification Search**
USPC D11/200–230, 1, 2; D2/382, 349, 354,
D2/373, 853, 624
CPC A41D 2300/30; A41D 2300/324; A44B
11/26; A44B 11/25; A44B 11/06; A44B
11/04

See application file for complete search history.

(56) **References Cited**

U.S. PATENT DOCUMENTS

3,210,820 A * 10/1965 Humiston A44B 17/0029
24/578.12
D301,566 S * 6/1989 Heiberger D11/218
D415,411 S * 10/1999 Mensour D8/397
D430,483 S * 9/2000 Wah D11/220
D517,947 S * 3/2006 Hollingworth D11/220
D539,698 S * 4/2007 Choi D11/220
D623,088 S * 9/2010 Schiebl D11/220
D631,336 S * 1/2011 Toumei D8/397

OTHER PUBLICATIONS

[Online] <https://i.pinimg.com/originals/9c/a3/12/9ca312b44ffe702fa54ee3115ae2e90b.jpg>. Retrieved Sep. 30, 2018.*

* cited by examiner

Primary Examiner — Melanie Pellegrini

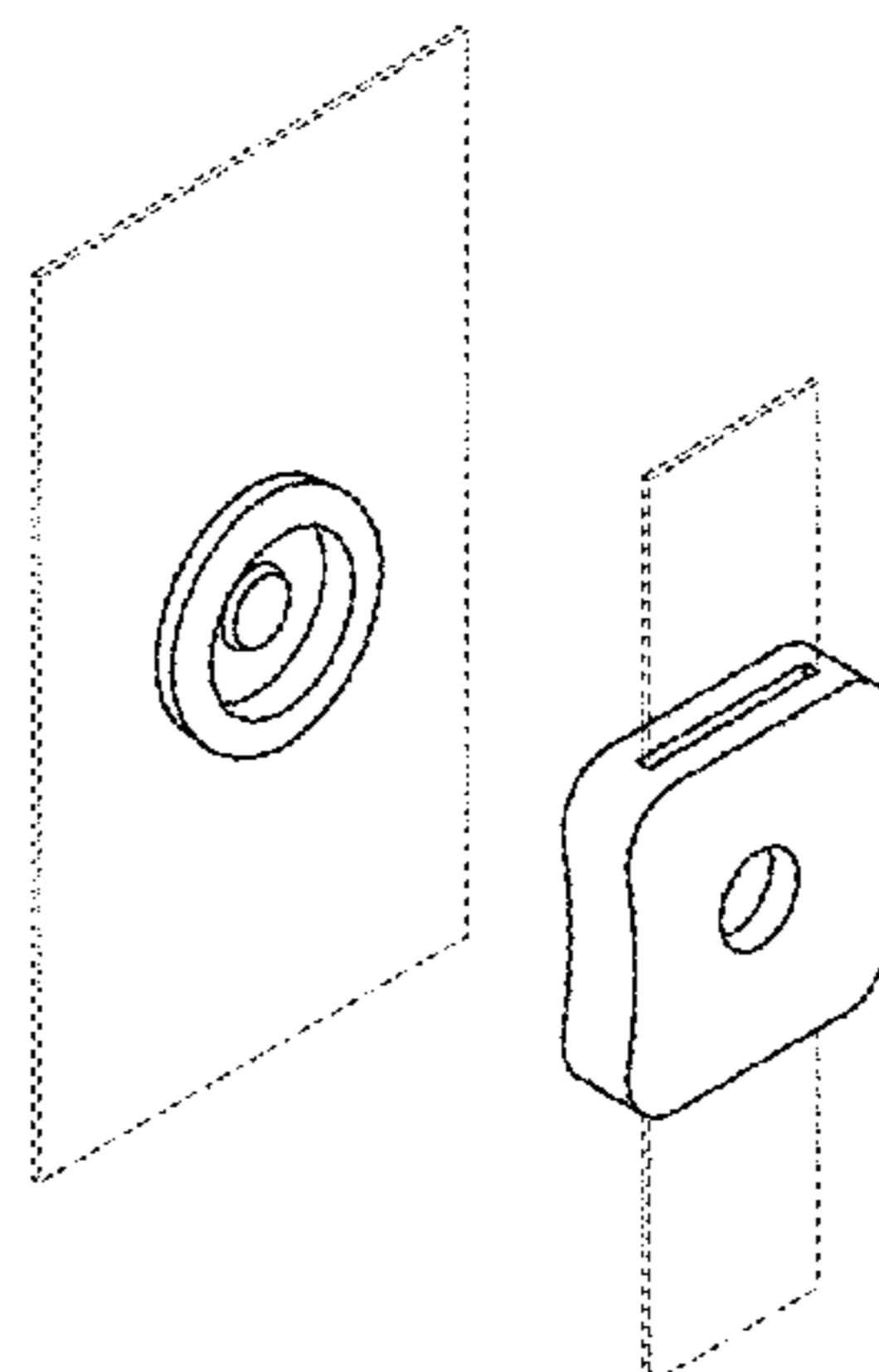
(57) **CLAIM**

The ornamental design for a fastener, as shown and described.

DESCRIPTION

1. Fastener
1.1 : Front
1.2 : Top
1.3 : Bottom
1.4 : Right
1.5 : Cross-sectional
1.6 : Perspective
1.7 : Perspective
1.8 : Front view of male part
1.9 : Top view of male part
1.10 : Bottom view of male part
1.11 : Right view of male part
1.12 : Cross-sectional view of male part
1.13 : Front view of female part
1.14 : top view of female part
1.15 : Bottom view of female part
1.16 : Right view of female part
1.17 : Cross-sectional view of female part
The left side view is the same as the right side view; the male and female parts are attached on separate tapes; the male part is slidable on the tape but the female part is fixed on the tape; when the male and female parts are engaged, the position of the male part is fixed.

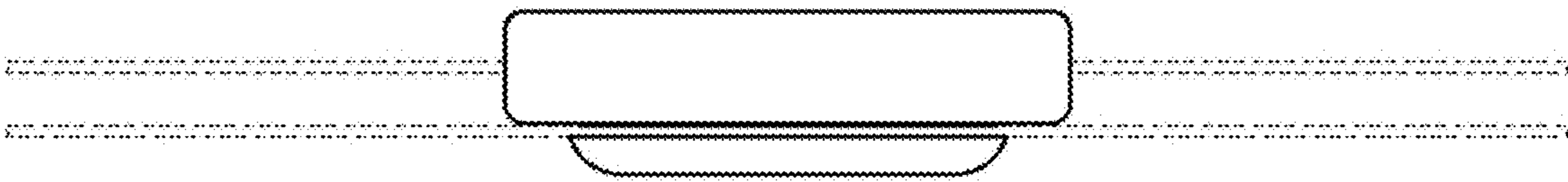
(Continued)



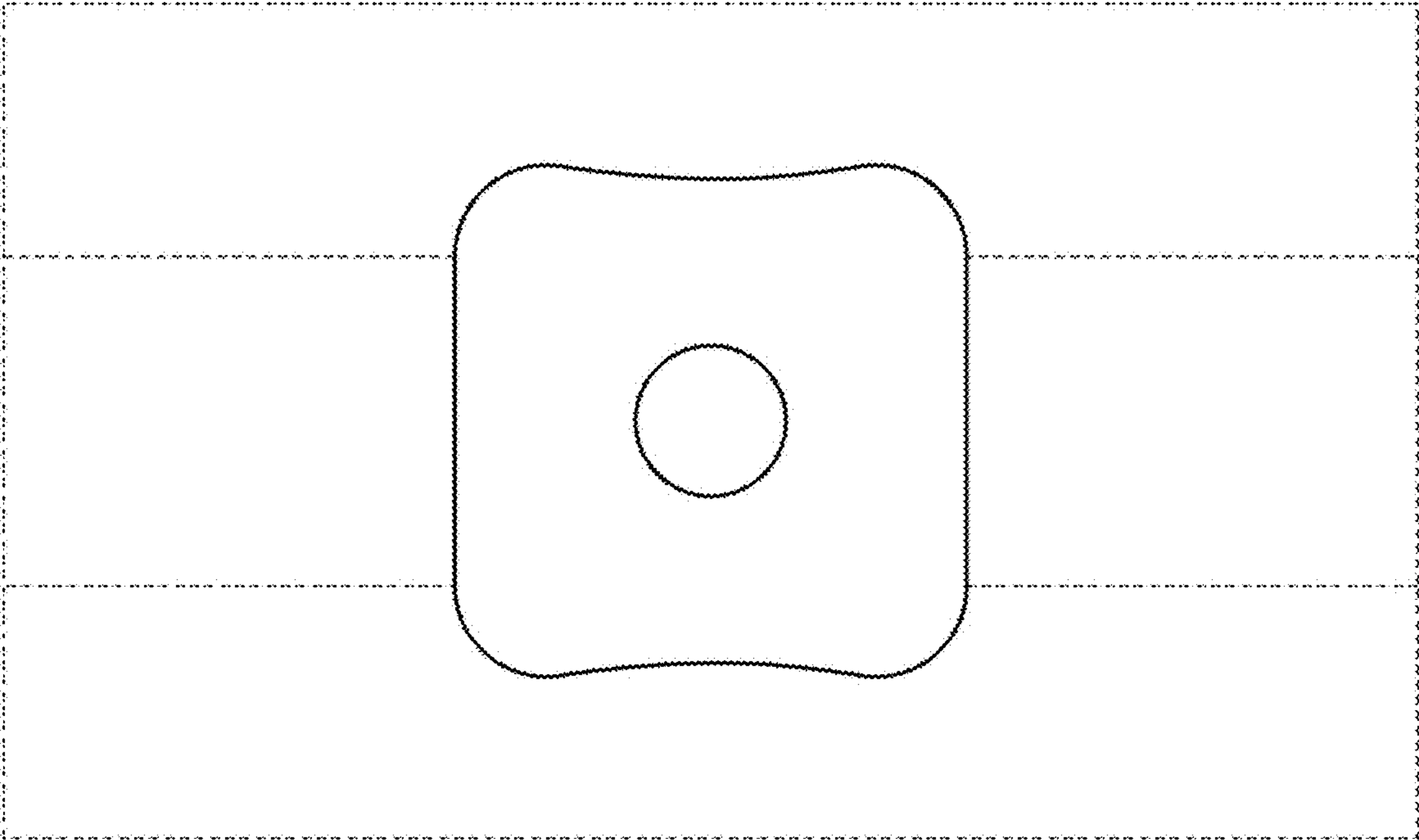
The broken lines shown in the drawings illustrate portions of the fastener that form no part of the claimed design.

1 Claim, 17 Drawing Sheets

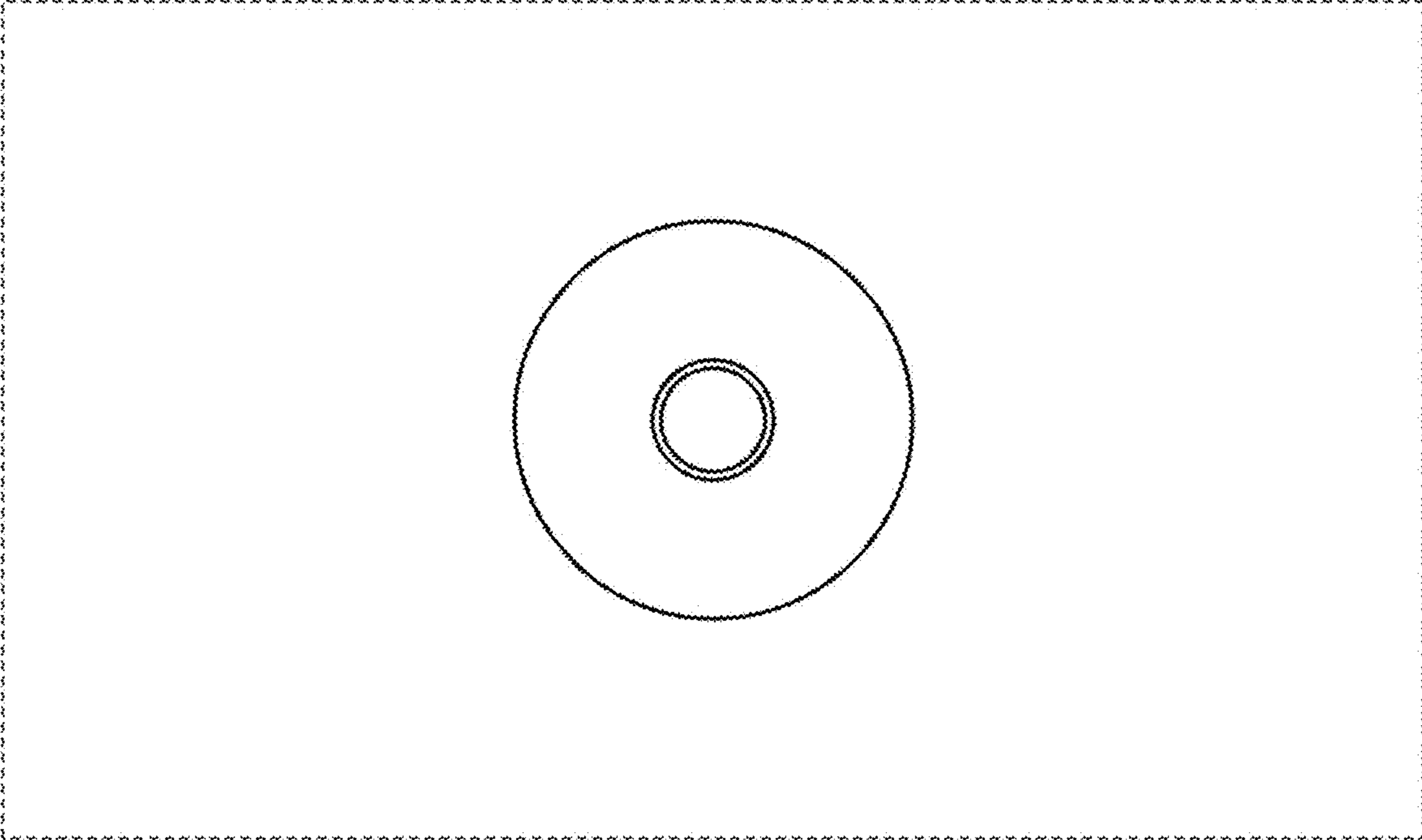
1.1



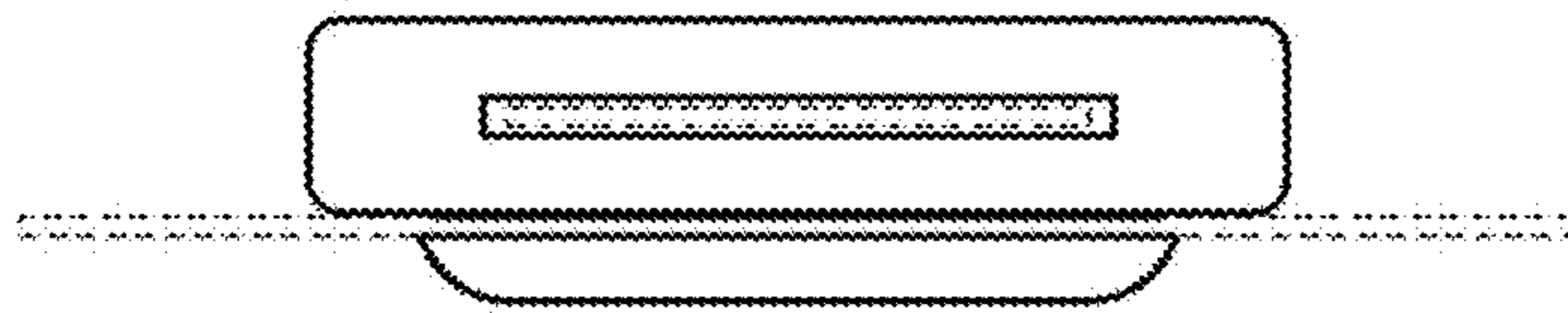
1.2



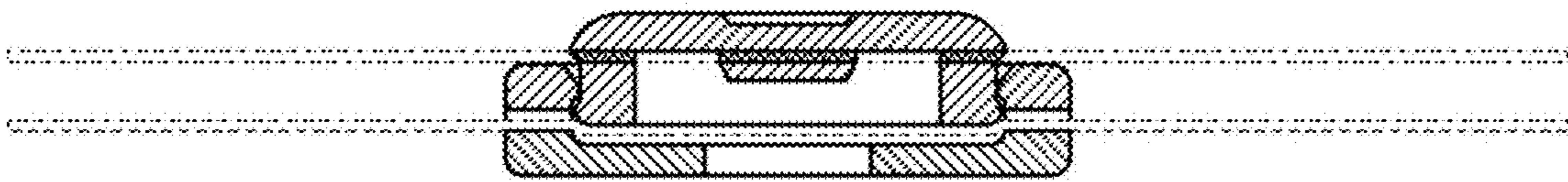
1.3



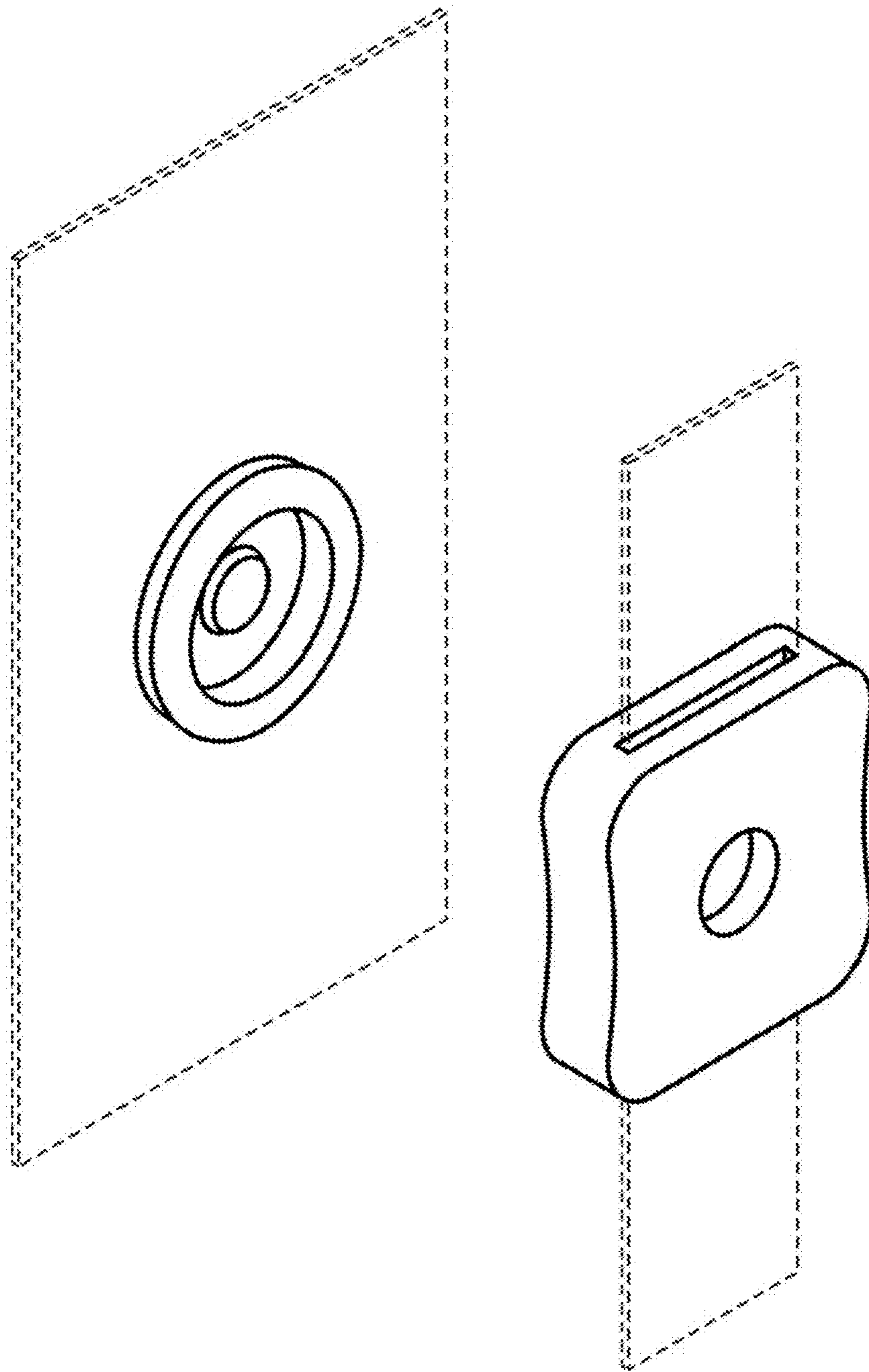
1.4



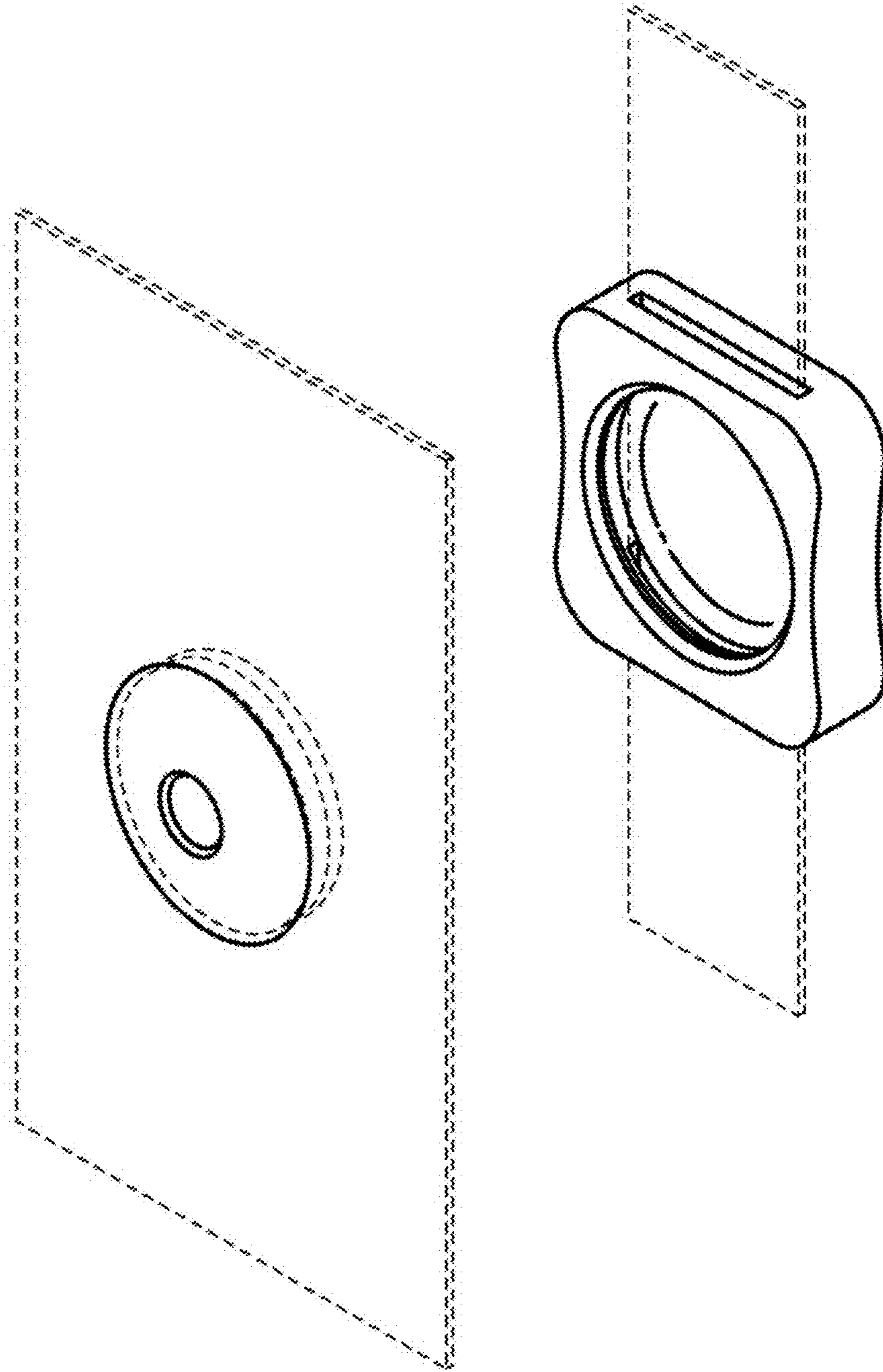
1.5



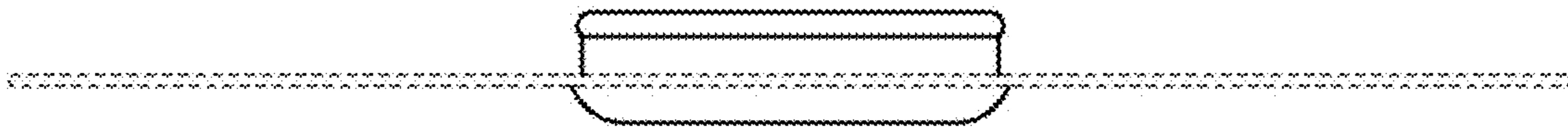
1.6



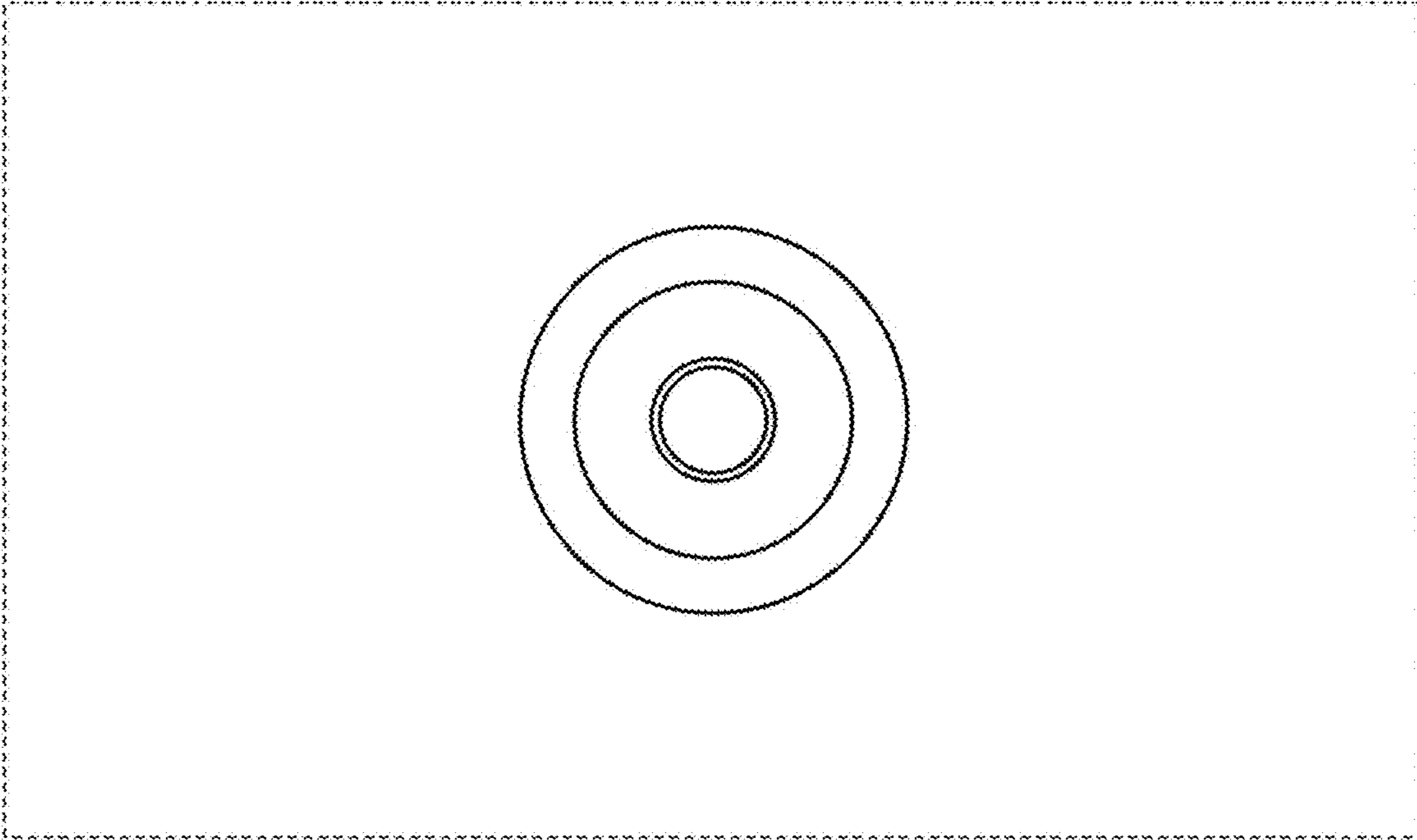
1.7



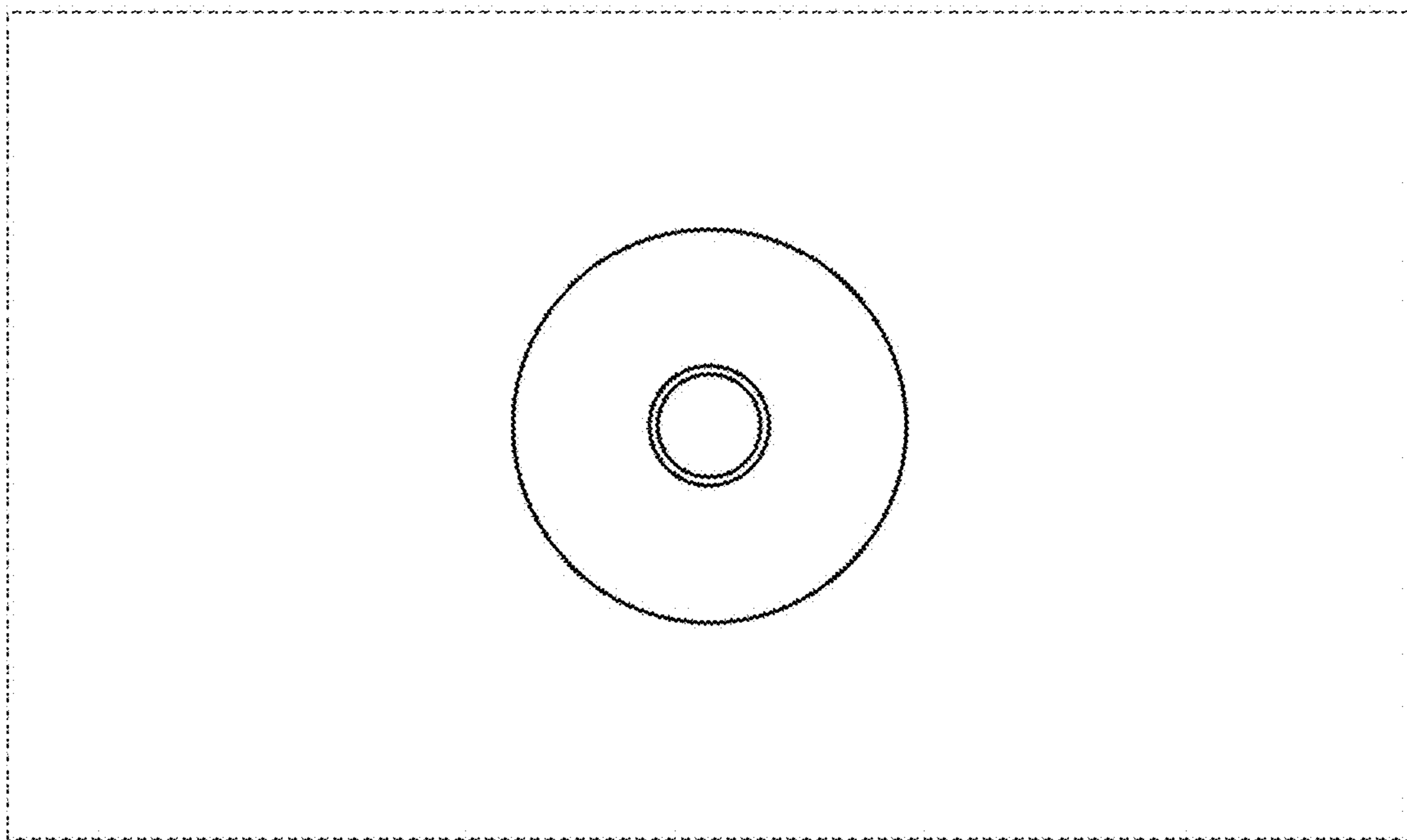
1.8



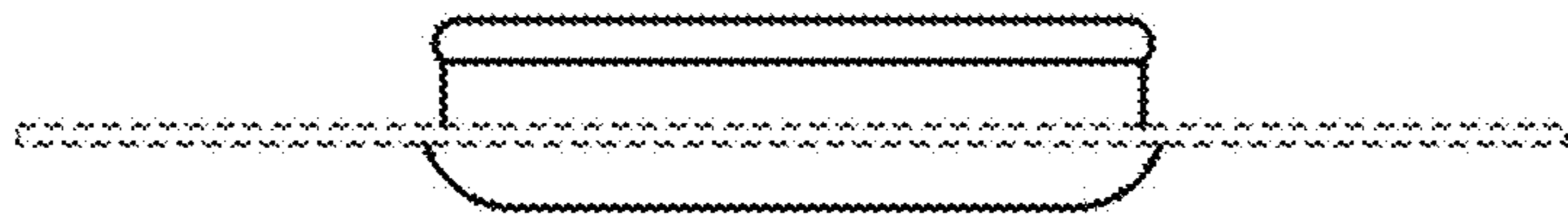
1.9



1.10



1.11



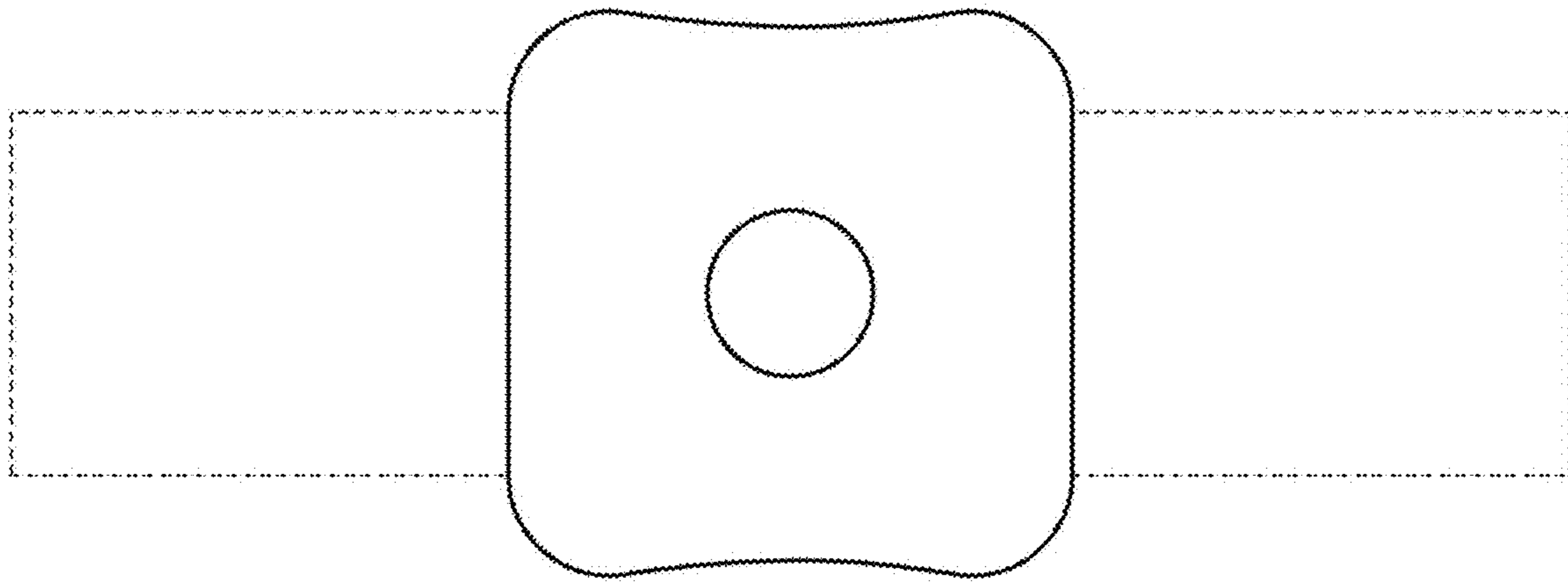
1.12



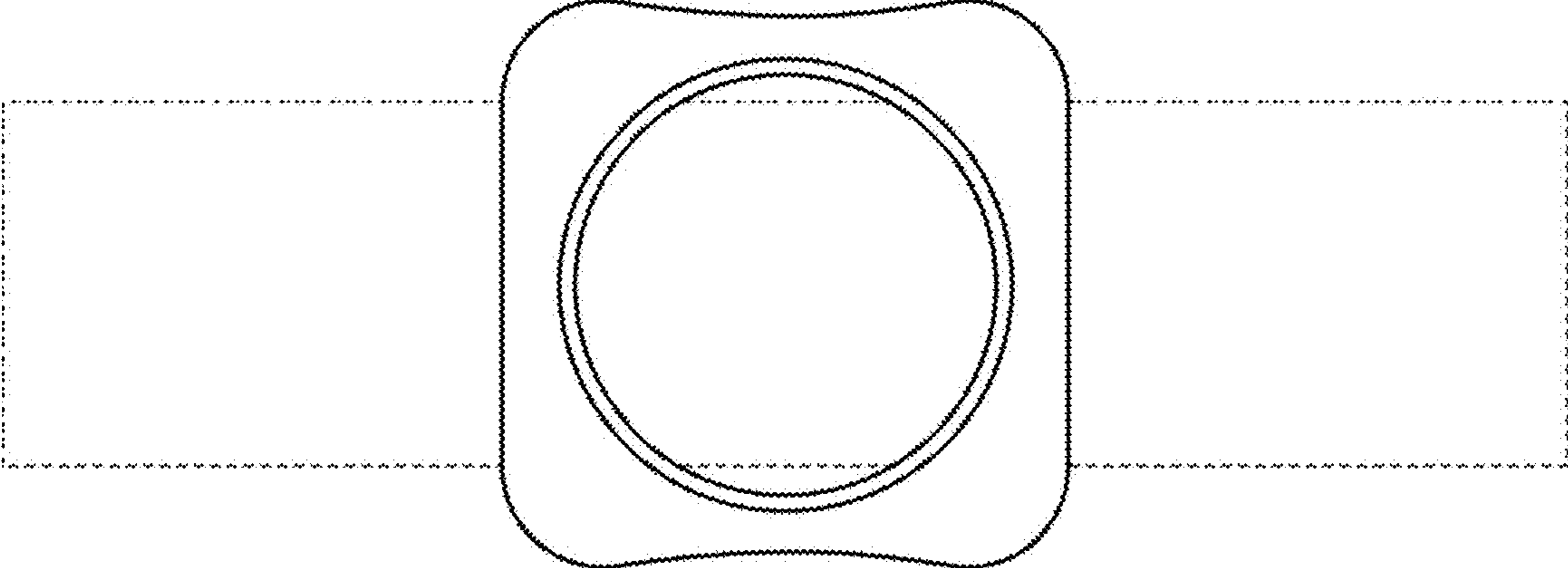
1.13



1.14



1.15



1.16



1.17

