



US00D838207S

(12) **United States Design Patent**
Paternostre et al.

(10) **Patent No.:** **US D838,207 S**
(45) **Date of Patent:** **** Jan. 15, 2019**

(54) **HYDROPONIC CONTAINER**
(71) Applicant: **Bloomaker USA, Inc.**, Waynesboro, VA (US)
(72) Inventors: **Joep Paternostre**, Waynesboro, VA (US); **Gilles Paternostre**, Waynesboro, VA (US); **Reinier Smit**, Waynesboro, VA (US); **Dennis H Owens**, Richmond, VA (US)
(73) Assignee: **Bloomaker USA, Inc.**, Waynesboro, VA (US)
(**) Term: **15 Years**
(21) Appl. No.: **29/609,295**
(22) Filed: **Jun. 29, 2017**

(51) **LOC (11) Cl.** **11-02**
(52) **U.S. Cl.**
USPC **D11/152**
(58) **Field of Classification Search**
USPC D6/403-405, 556-558, 675;
D11/143-156, 164; D9/428, 500, 519,
D9/549, 757, 758, 761; D3/306;
D7/522, 524, 537
CPC A01G 9/02; A01G 9/021; A01G 9/028;
A01G 9/029; A01G 9/04; A01G 9/042;
A01G 9/045; A47G 7/00; A47G 7/006;
A47G 7/02; A47G 7/025; A47G 7/04;
A47G 7/044; A47G 7/06
See application file for complete search history.

(56) **References Cited**
U.S. PATENT DOCUMENTS
D42,402 S * 4/1912 Simons D11/153
1,307,482 A * 6/1919 Cheek A47F 5/112
211/74

2,317,067 A * 4/1943 Knaust B65D 85/78
229/117.12
3,034,496 A * 5/1962 Greenwald A47J 36/24
126/261
3,760,973 A * 9/1973 Canning B65D 75/323
206/1.9
D252,066 S * 6/1979 Jeambey D7/357
4,525,950 A * 7/1985 Glassman A47G 7/06
428/13
4,594,646 A * 6/1986 Von Kohorn A01G 7/045
362/101
D406,081 S * 2/1999 Antonio D11/143
7,237,684 B2 * 7/2007 Kanachowski A47F 7/281
211/59.4
D584,824 S * 1/2009 Berglund D24/199
D632,211 S * 2/2011 Bradley D11/153
D692,551 S * 10/2013 Wirz D23/366
D733,769 S * 7/2015 Zorovich D15/82
D766,128 S * 9/2016 Mihlbauer D11/152
D790,393 S * 6/2017 Paternostre D11/143
D791,013 S * 7/2017 Paternostre D11/143

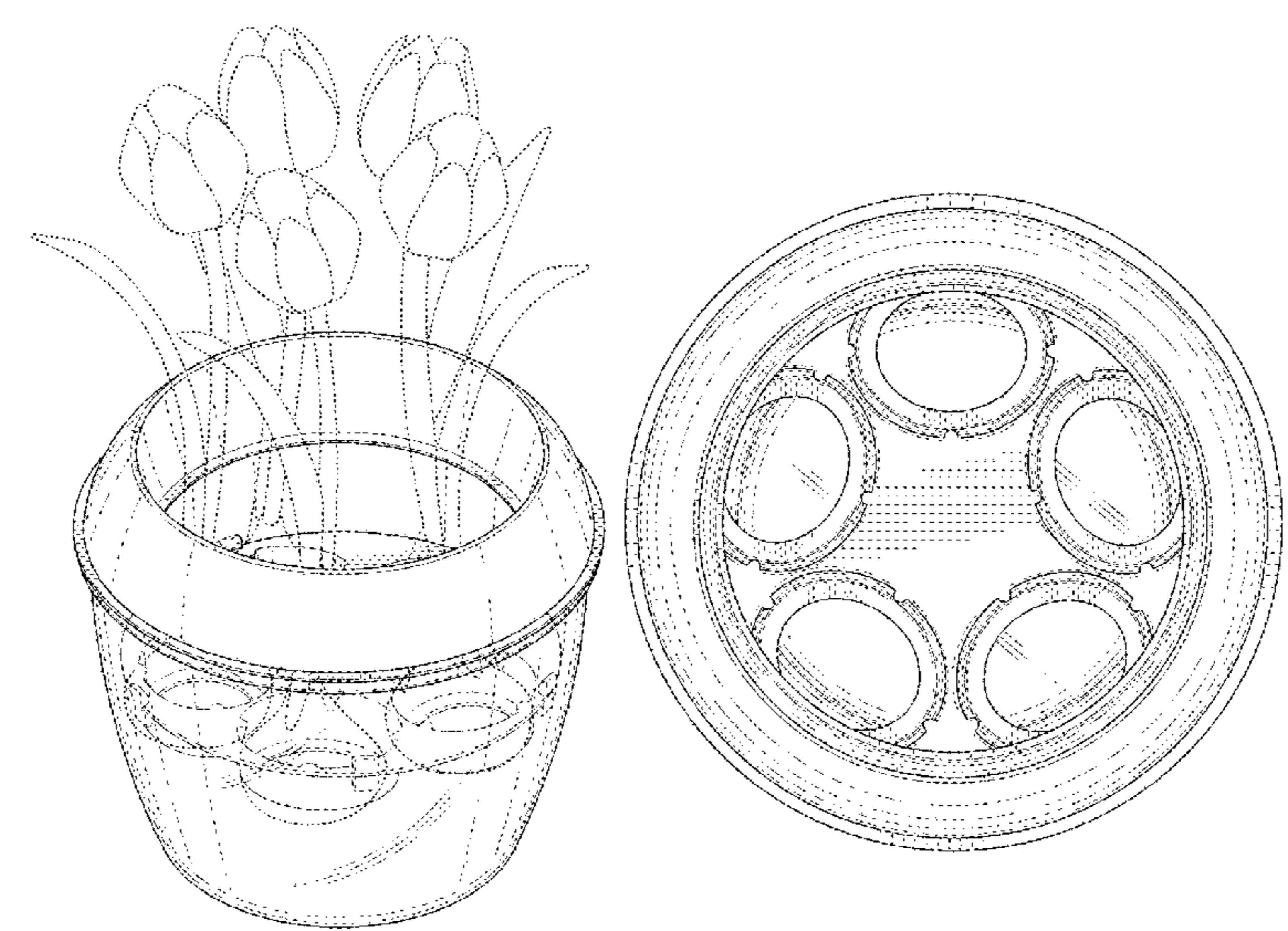
(Continued)

Primary Examiner — Elizabeth A. Albert
(74) *Attorney, Agent, or Firm* — Daniel L. Fitch; Ginger T. Chapman

(57) **CLAIM**
We claim the ornamental design for a hydroponic container, as shown and described.

DESCRIPTION
FIG. 1 is a front perspective view showing the new design; FIG. 2 is a front view thereof; FIG. 3 is a rear view thereof; FIG. 4 is a left side view thereof; FIG. 5 is a right side view thereof; FIG. 6 is a top view thereof; and, FIG. 7 is a bottom view thereof.
The broken lines in the figures depict portions of the hydroponic container that form no part of the claimed design.

1 Claim, 7 Drawing Sheets



(56)

References Cited

U.S. PATENT DOCUMENTS

D796,921 S * 9/2017 Paternostre D8/1
D804,325 S * 12/2017 Thompson D9/758
2007/0289973 A1* 12/2007 Acosta A47G 19/025
220/507

* cited by examiner

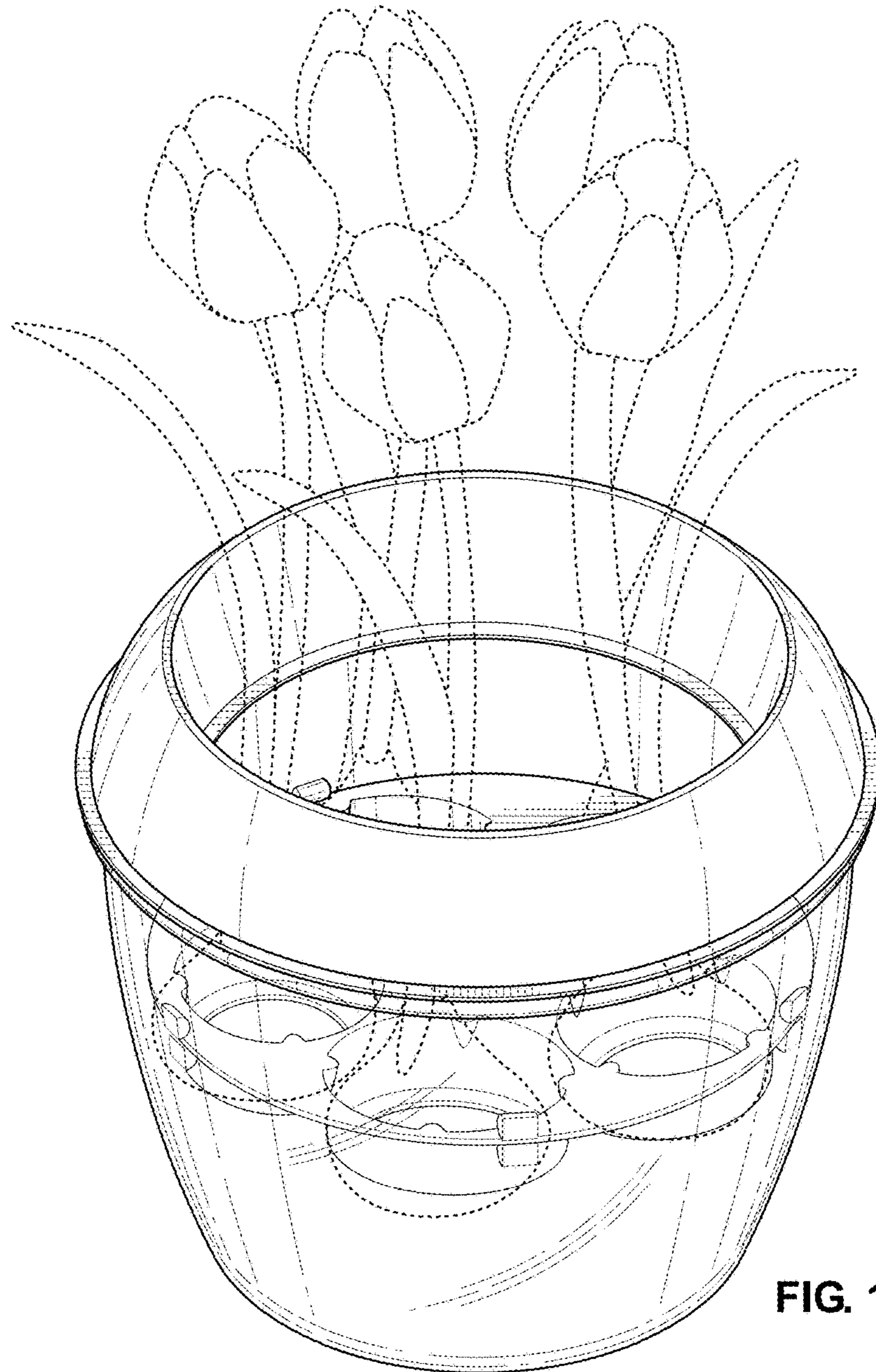


FIG. 1

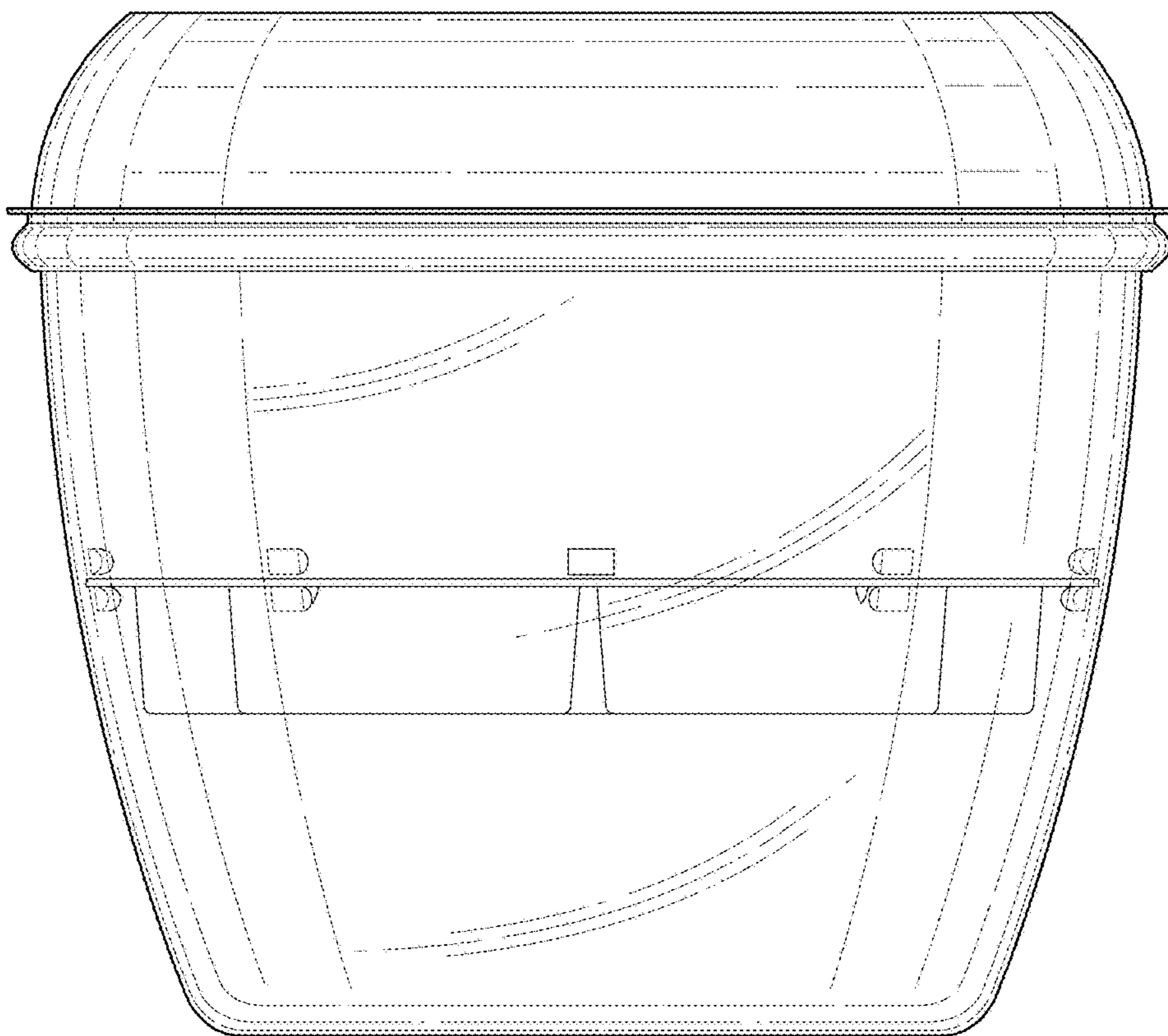


FIG. 2

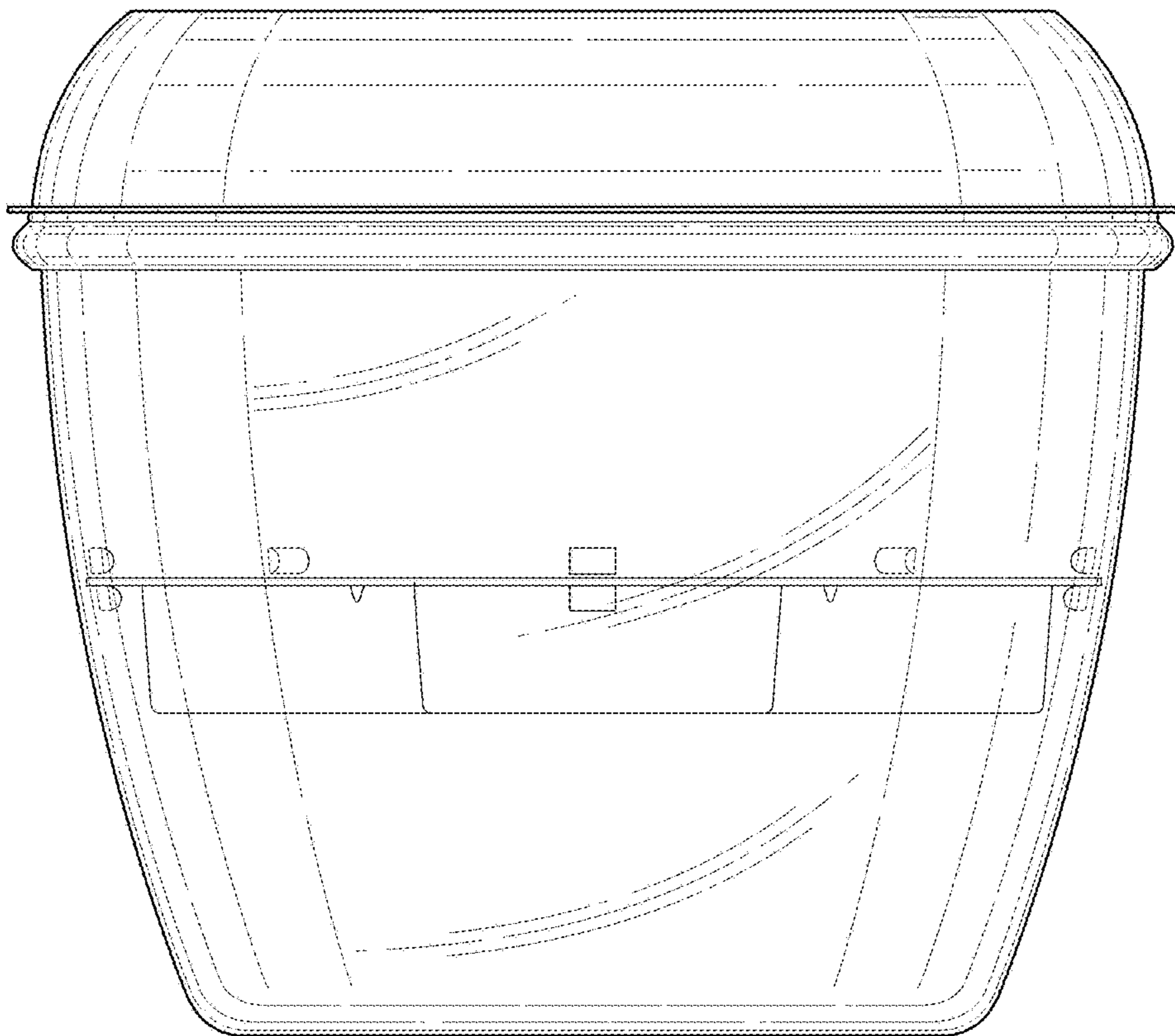


FIG. 3

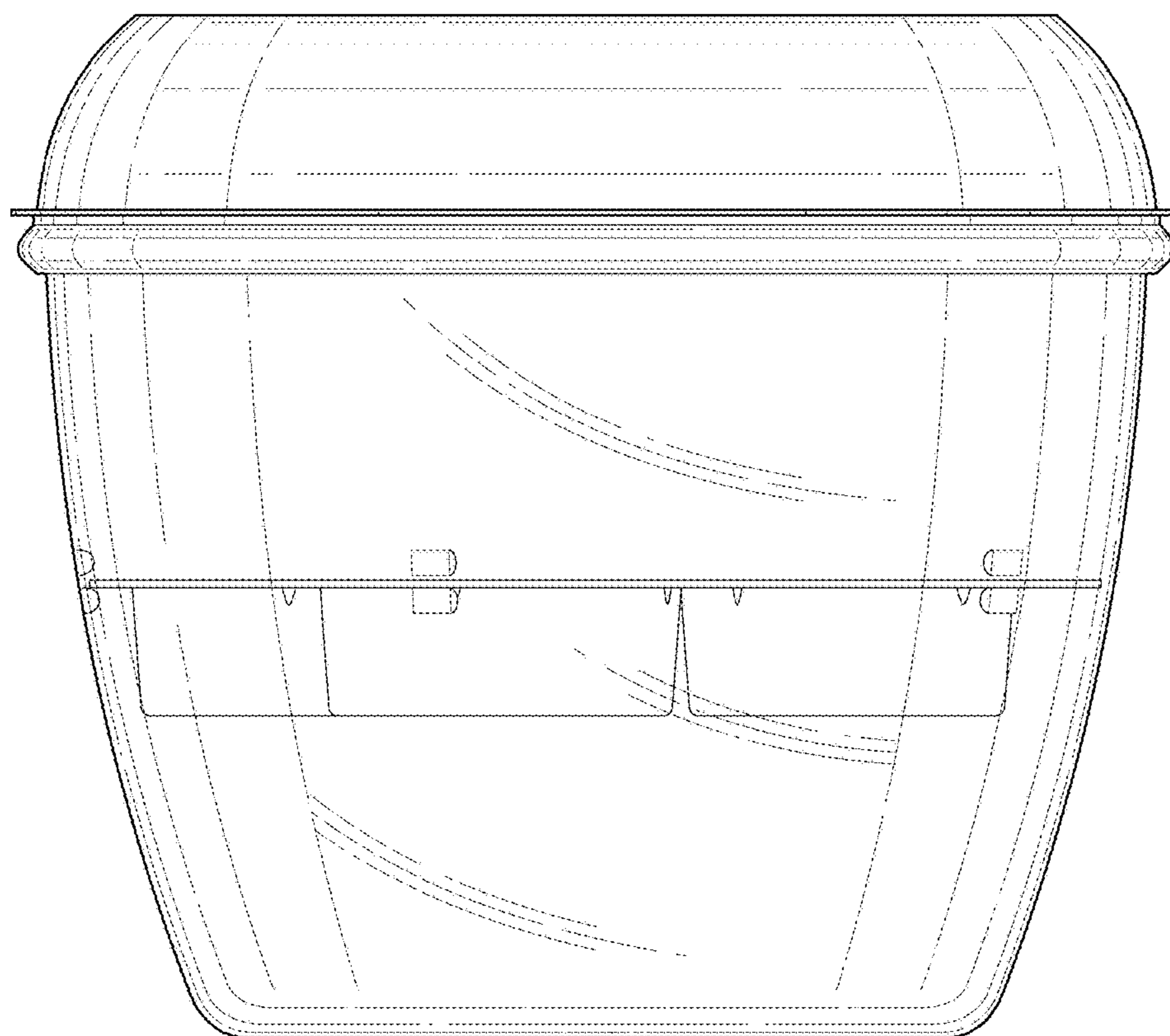


FIG. 4

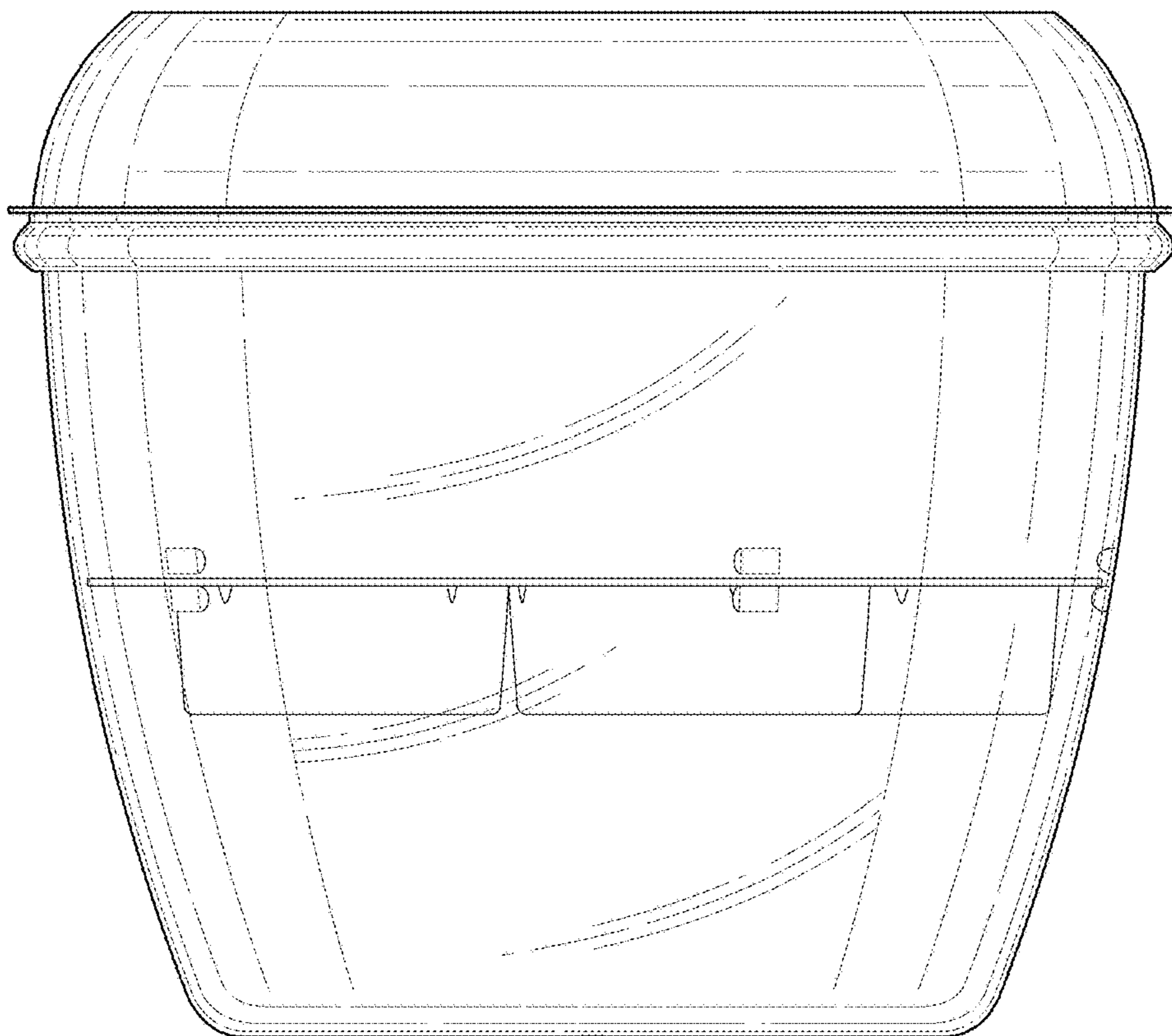


FIG. 5

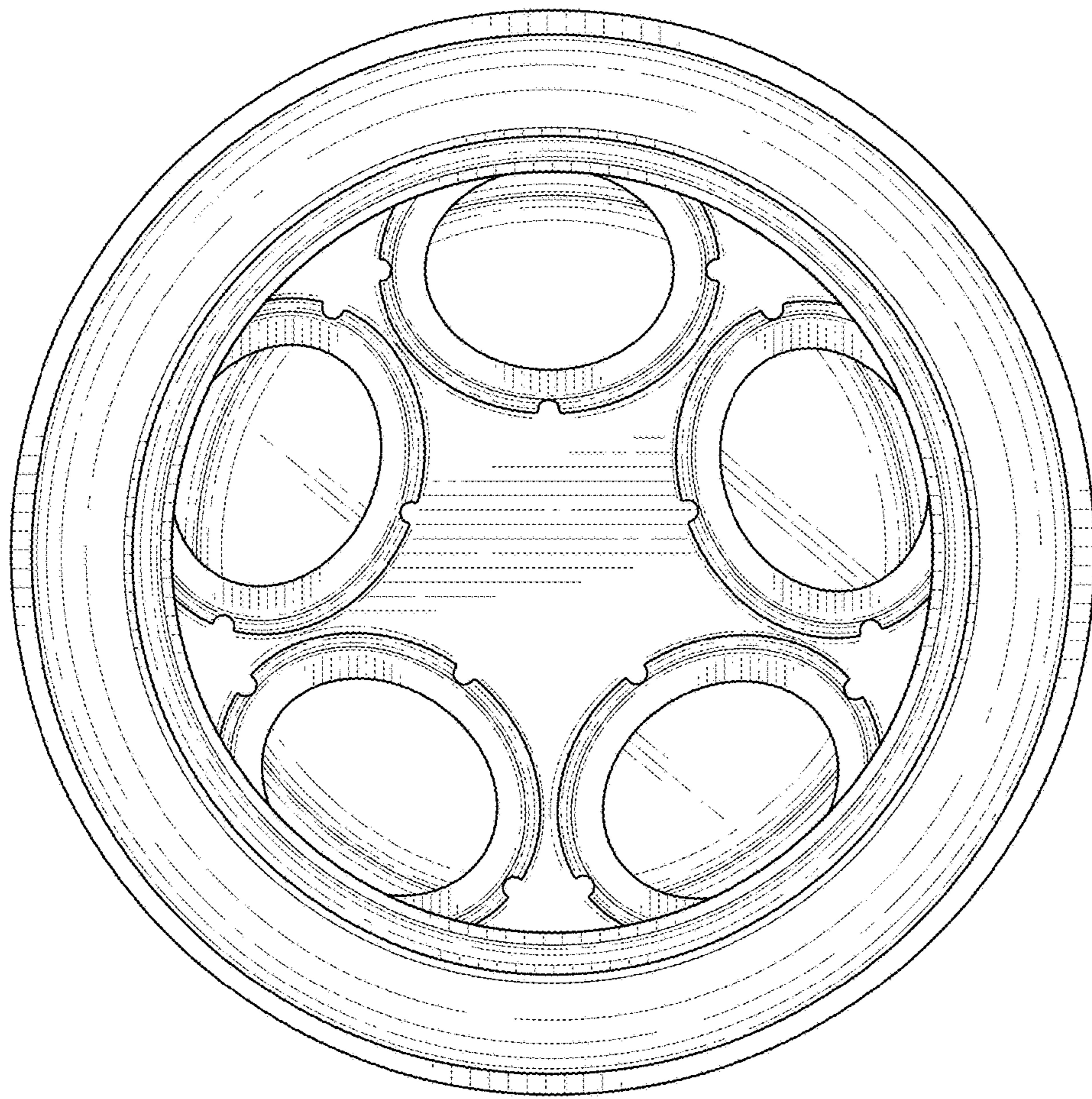


FIG. 6

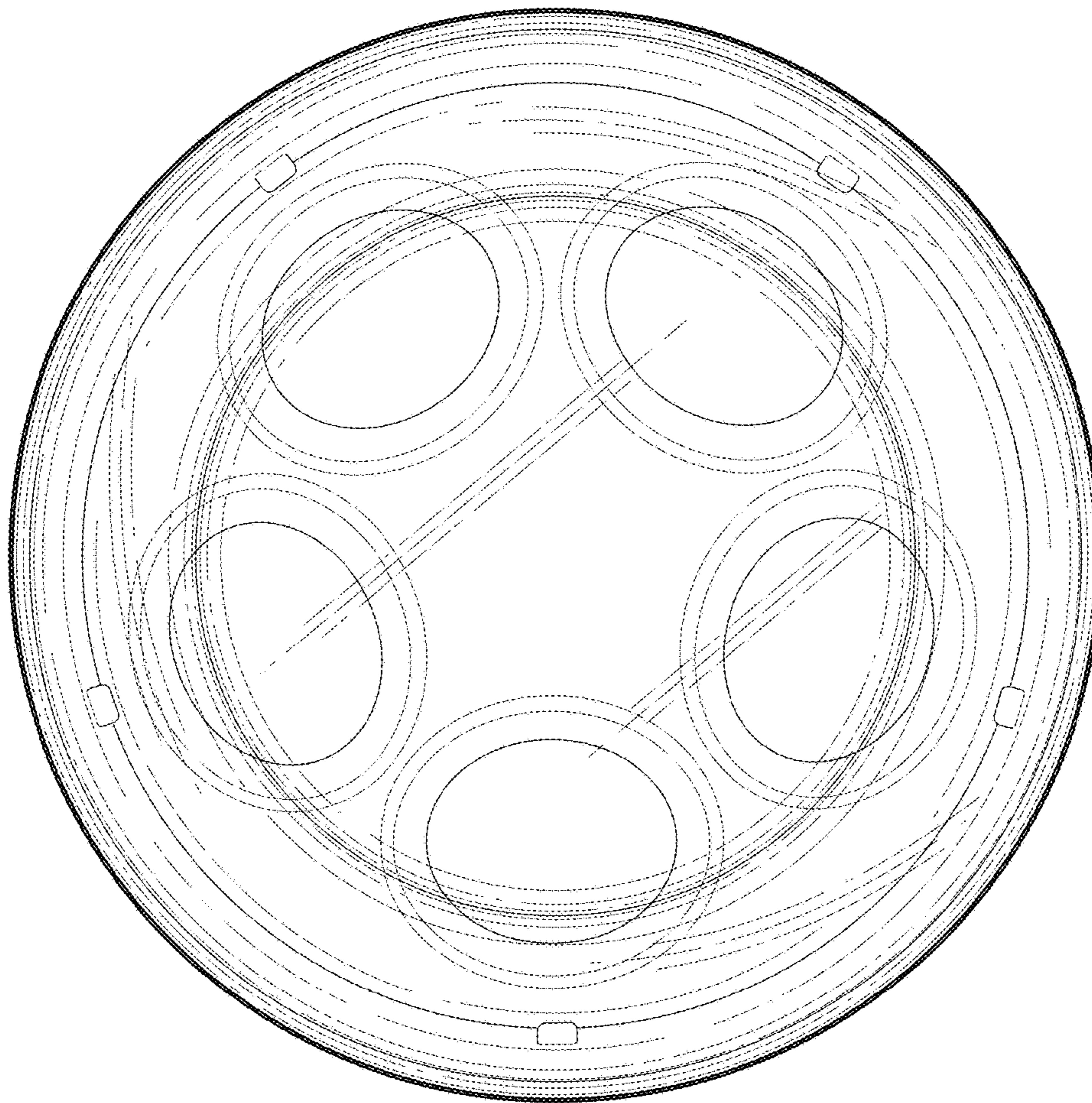


FIG. 7