



US00D838206S

(12) **United States Design Patent**
Morris

(10) **Patent No.:** **US D838,206 S**
(45) **Date of Patent:** **** Jan. 15, 2019**

(54) **ORNAMENT**

(71) Applicant: **Melinda Morris**, Onalaska, WA (US)

(72) Inventor: **Melinda Morris**, Onalaska, WA (US)

(**) Term: **15 Years**

(21) Appl. No.: **29/610,920**

(22) Filed: **Jul. 17, 2017**

(51) **LOC (11) Cl.** **11-04**

(52) **U.S. Cl.**
USPC **D11/117**

(58) **Field of Classification Search**
USPC D11/117, 119, 121, 125, 131, 132, 133,
D11/157; 428/7, 8, 9, 12, 15, 17, 19, 20,
428/21, 22, 23
CPC A47G 33/00; A47G 33/08; A47G 33/0863;
B44C 5/06; A41G 1/00; A41G 1/001;
A41G 1/009; A41G 1/04
See application file for complete search history.

(56) **References Cited**

U.S. PATENT DOCUMENTS

D29,746 S	*	11/1898	Behrems	D21/436
D65,410 S	*	8/1924	Kaplan	D11/117
D105,815 S	*	8/1937	Stern	D5/32
D146,769 S		5/1947	Katz		
D150,447 S		8/1948	Philippe		
2,716,828 A	*	9/1955	Adler, Jr.	A41G 1/00 427/258
2,771,695 A	*	11/1956	James	A41G 1/00 248/27.8

2,879,617 A	*	3/1959	Popeil	A41G 1/00 264/245
2,908,942 A	*	10/1959	Bosco	B29C 45/16 264/154
D200,471 S	*	3/1965	Chang	D11/117
D200,472 S		3/1965	Chang		
D216,734 S		3/1970	Zajac		
D258,355 S		2/1981	Jones et al.		
D298,809 S	*	12/1988	Davis	D11/117
D304,021 S	*	10/1989	Shives	D11/117
D520,904 S		5/2006	Cheng		
D630,969 S		1/2011	Mattis		
D668,175 S	*	10/2012	Piatkowski	D11/121
D716,932 S	*	11/2014	Pelc	D23/411
D716,933 S	*	11/2014	Pelc	D23/411

FOREIGN PATENT DOCUMENTS

WO WO2014116142 7/2014

* cited by examiner

Primary Examiner — Elizabeth J Oswecki

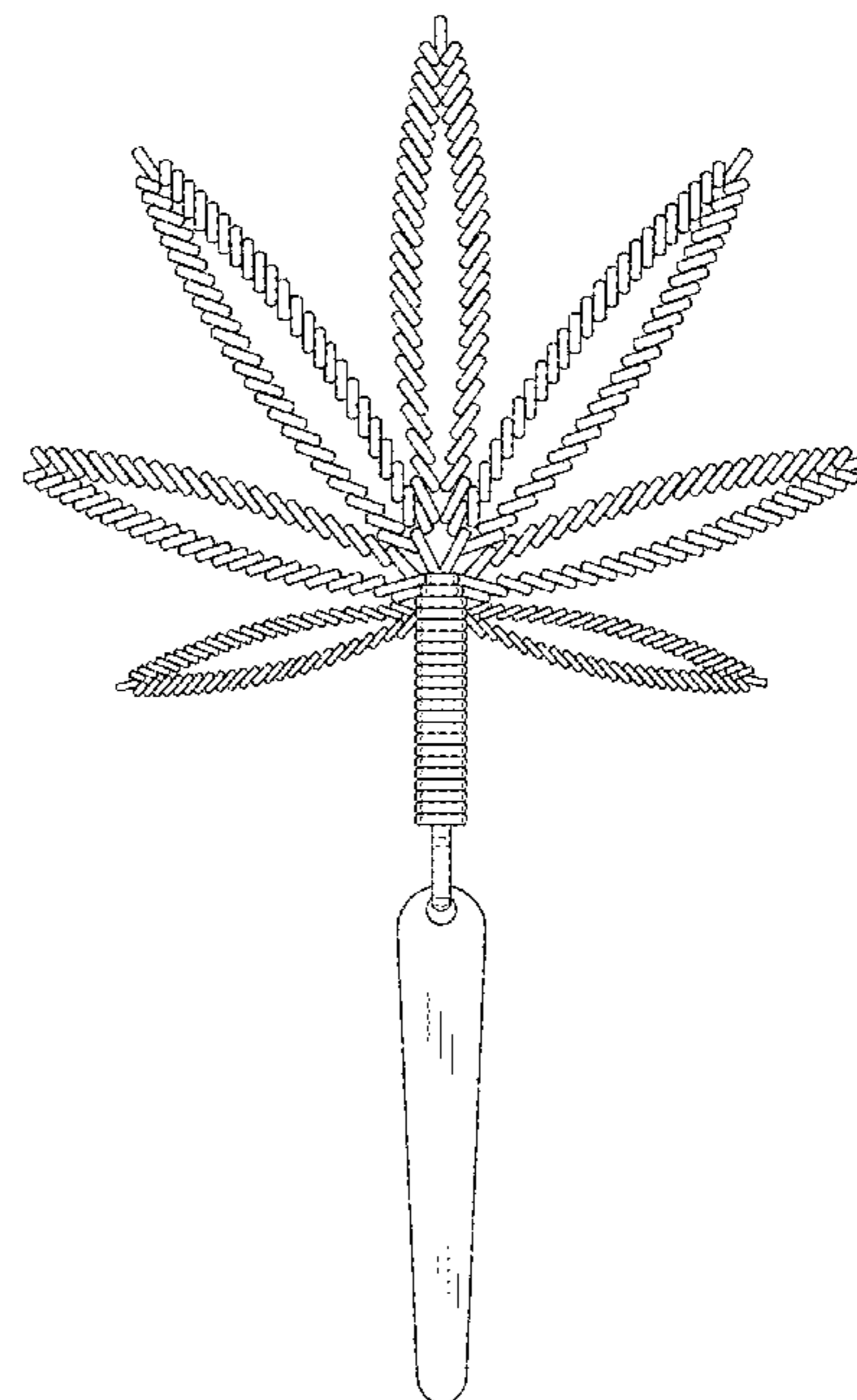
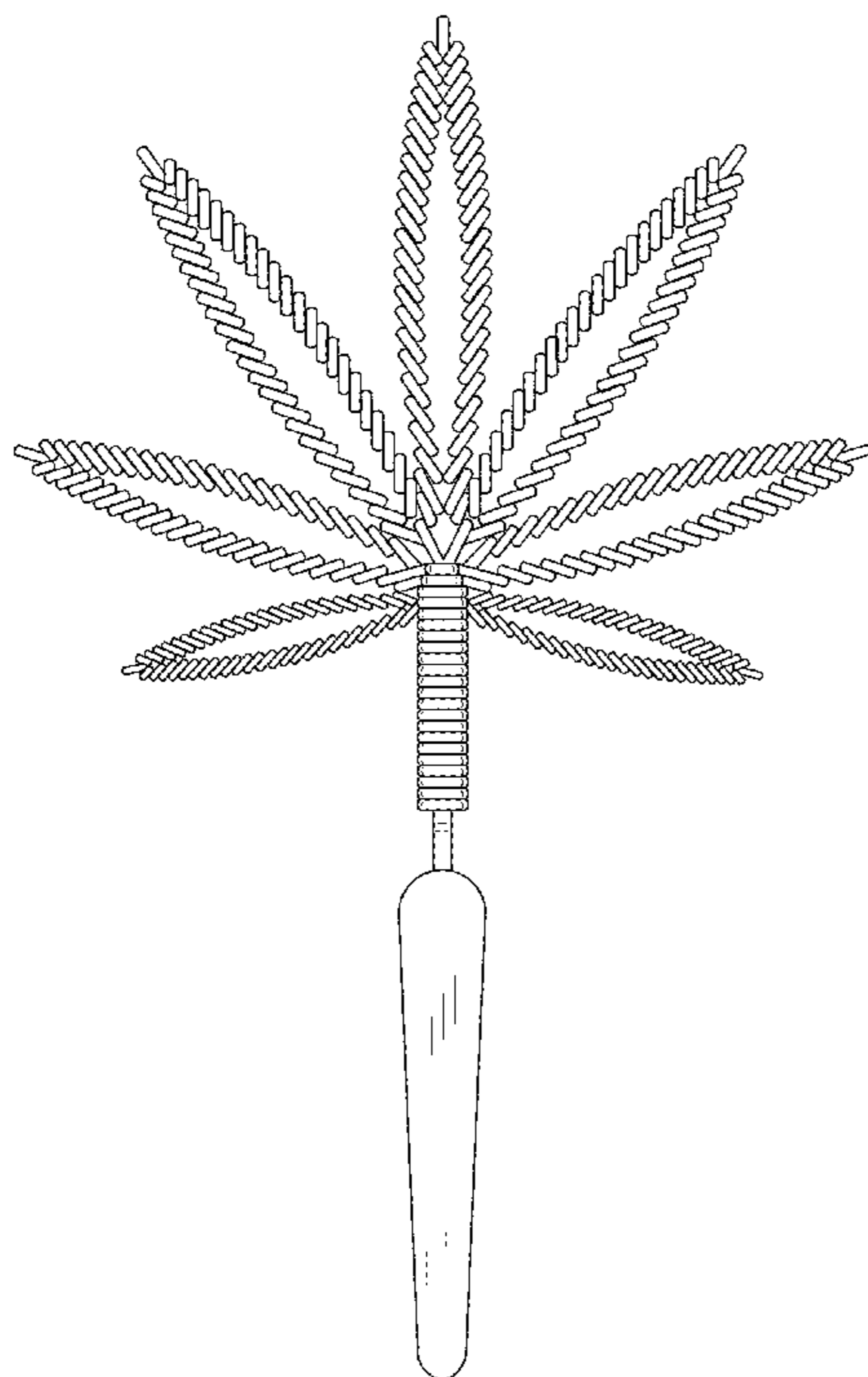
(57) **CLAIM**

The ornamental design for an ornament, as shown and described.

DESCRIPTION

FIG. 1 is a front view of an ornament showing my new design;
FIG. 2 is a rear view thereof;
FIG. 3 is a left side view thereof, a right side view being a mirror image thereof;
FIG. 4 is a top view thereof; and,
FIG. 5 is a bottom view thereof.

1 Claim, 4 Drawing Sheets



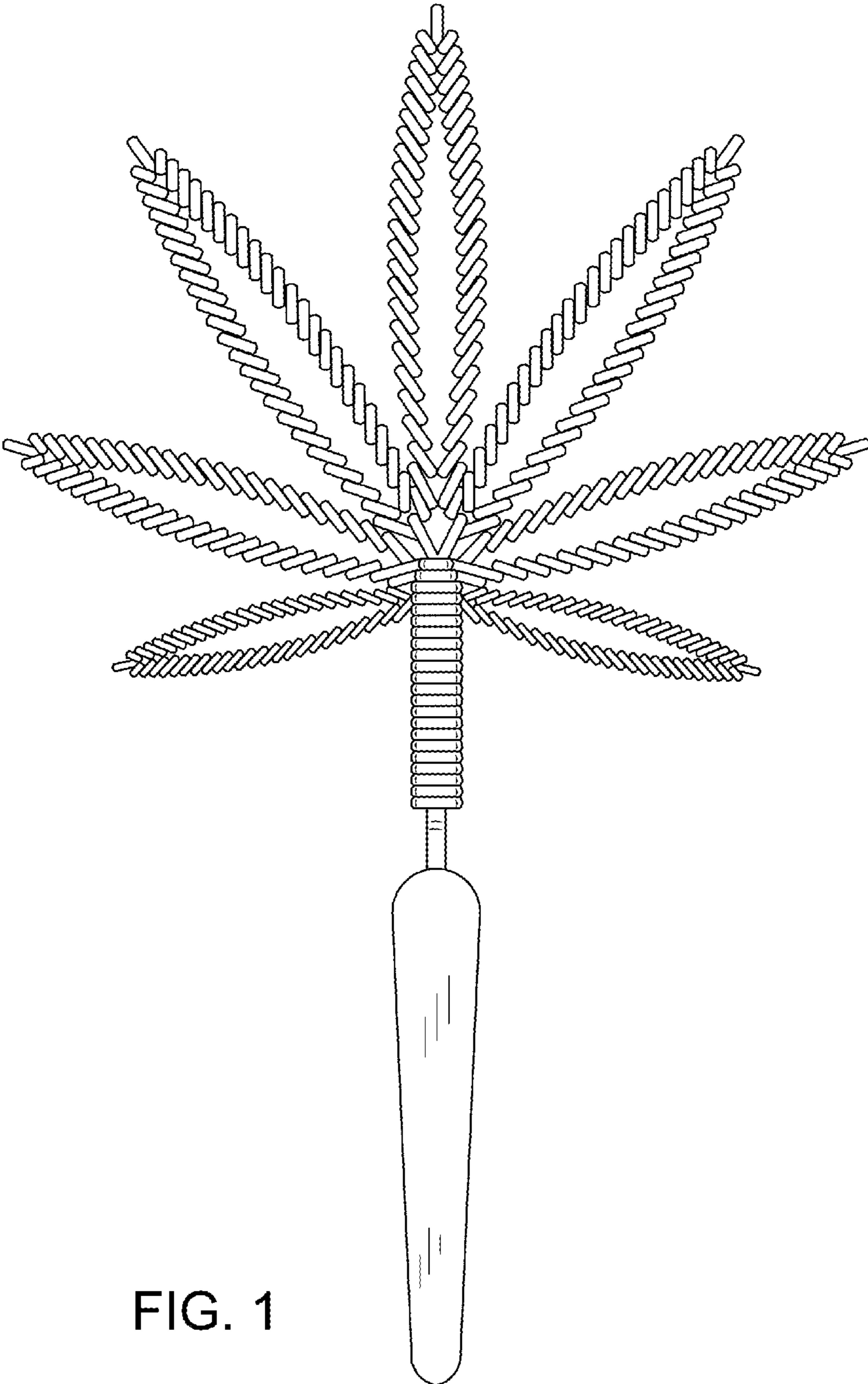


FIG. 1

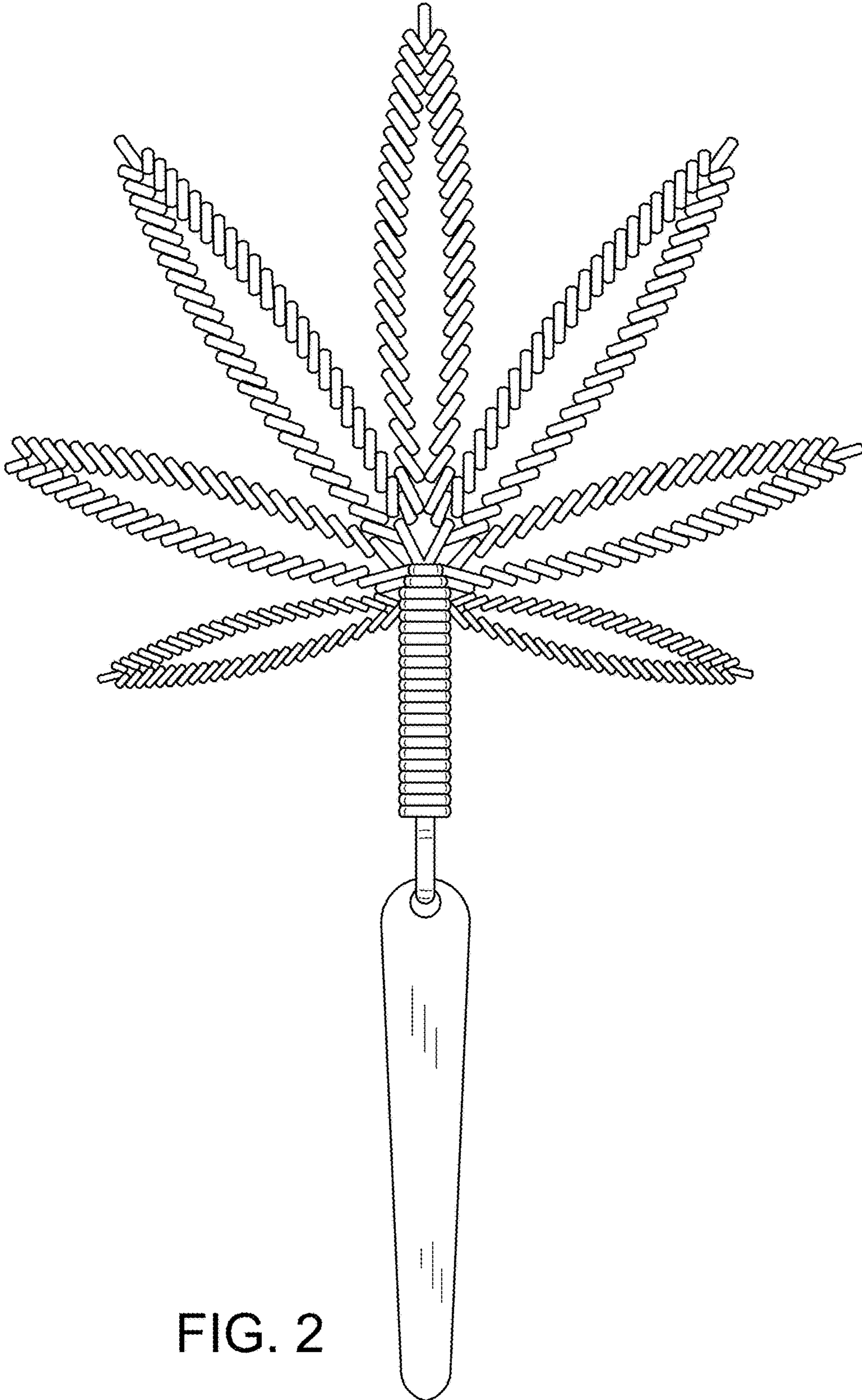


FIG. 2

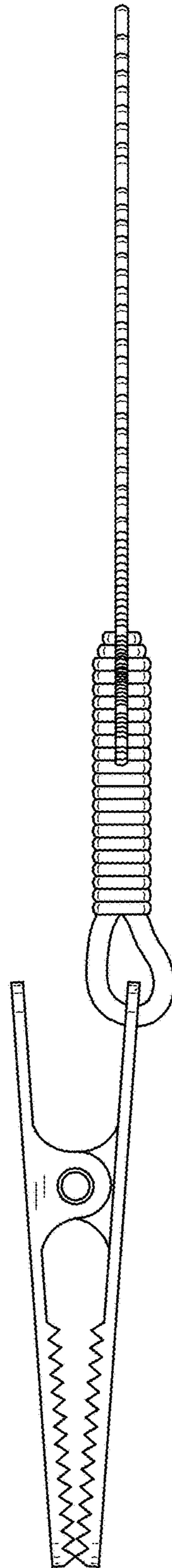


FIG. 3

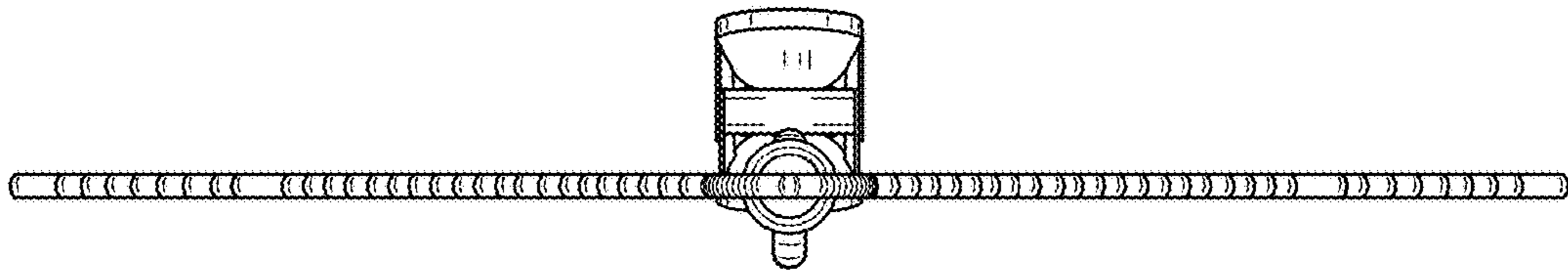


FIG. 4

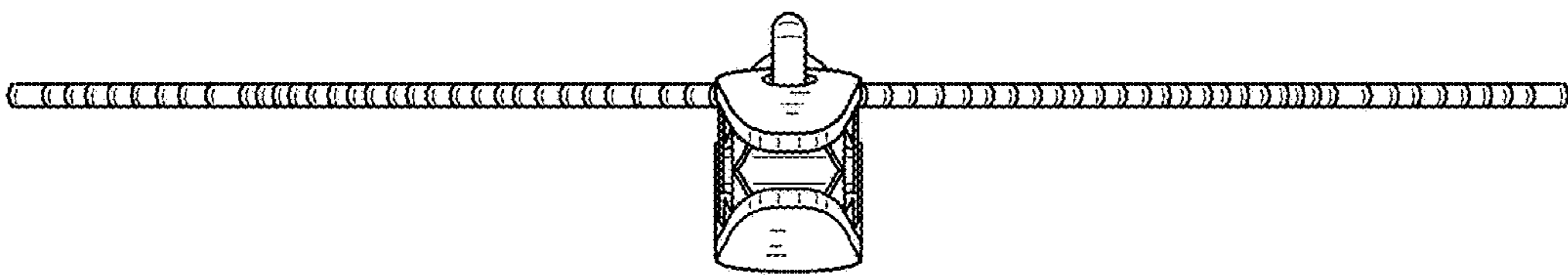


FIG. 5