



US00D838203S

(12) **United States Design Patent**
Corley et al.

(10) **Patent No.:** **US D838,203 S**

(45) **Date of Patent:** **** Jan. 15, 2019**

(54) **ASSET TRACKING DEVICE**

(71) Applicant: **BlackBerry Limited**, Waterloo (CA)

(72) Inventors: **Cortez Corley**, Waterloo (CA); **Chao Chen**, Waterloo (CA)

(73) Assignee: **BlackBerry Limited**, Waterloo, Ontario (CA)

(**) Term: **15 Years**

(21) Appl. No.: **29/618,621**

(22) Filed: **Sep. 22, 2017**

(51) **LOC (11) Cl.** **10-05**

(52) **U.S. Cl.**
USPC **D10/106.9; D10/70**

(58) **Field of Classification Search**
USPC D10/70, 106.9, 106.91, 106.92, 106.93, D10/106.94, 106.95
CPC G08B 13/126; G08B 13/128; G08B 13/14; G08B 13/1427; G08B 13/1409; G08B 13/1436; G08B 13/1445; G08B 13/1463; G08B 13/1472; G08B 13/1481; G08B 13/149; G08B 13/2428; G08B 13/2434; G08B 13/2437; G08B 21/24; G09F 3/18; G09F 3/185; G09F 3/20; G09F 3/201; G09F 3/202; G09F 3/203; G09F 3/204; G09F 3/205; G09F 3/206; G09F 3/207; G09F 3/208

See application file for complete search history.

(56) **References Cited**

U.S. PATENT DOCUMENTS

8,590,751 B2 *	11/2013	Ciavarella	G09F 7/18 221/283
9,162,799 B2 *	10/2015	Perry	B65D 25/205
D761,138 S *	7/2016	Manabe	D10/65
D775,978 S *	1/2017	Christianson	D10/70
D775,979 S *	1/2017	Christianson	D10/70
D798,757 S *	10/2017	Corley	D10/106.9

* cited by examiner

Primary Examiner — Antoine Duval Davis

(74) *Attorney, Agent, or Firm* — Jon Gibbons; Fleit Gibbons Gutman Bongini & Bianco P.L.

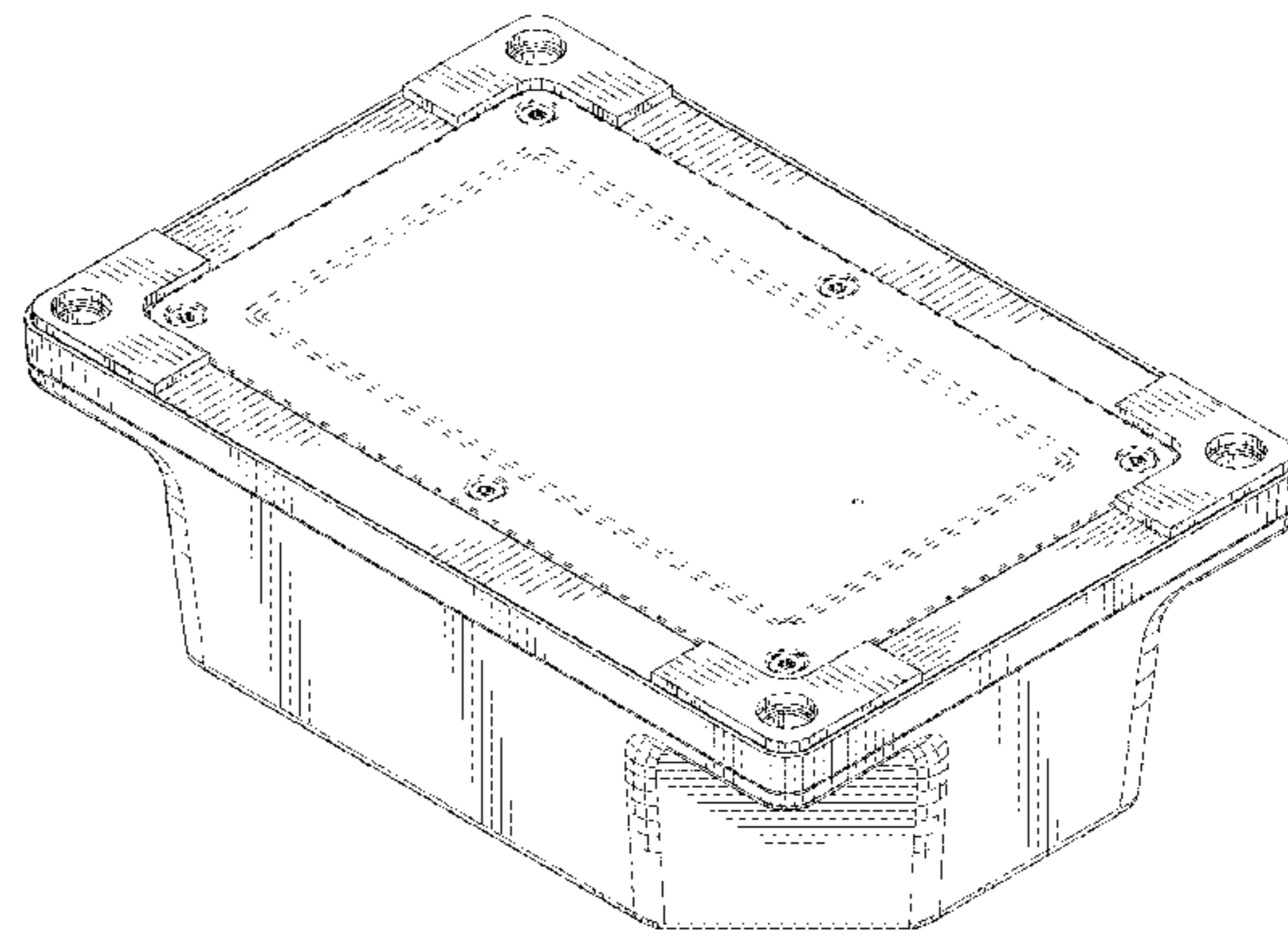
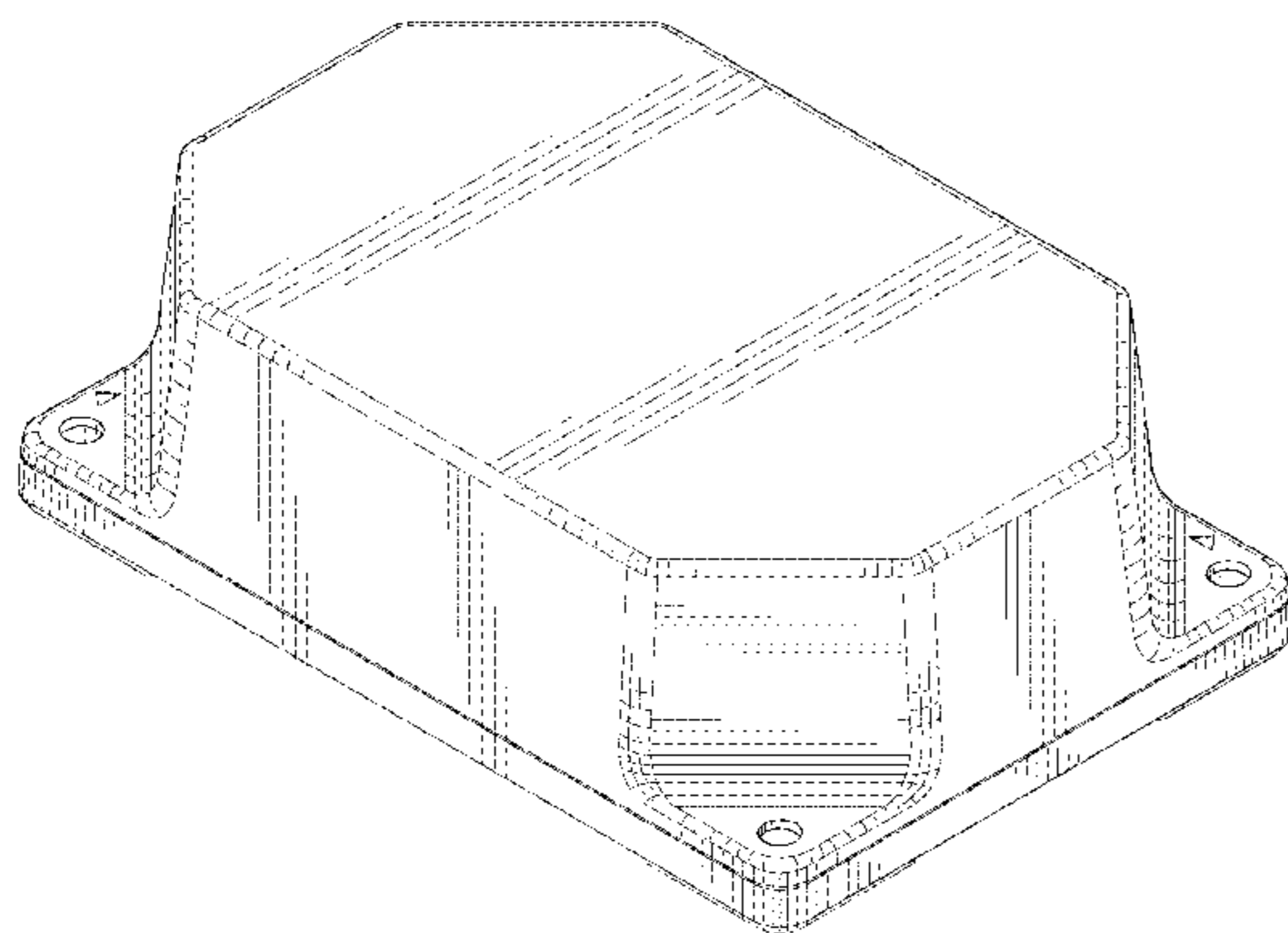
(57) **CLAIM**

The ornamental design for an asset tracking device, as shown and described.

DESCRIPTION

FIG. 1 is a perspective view of an example of the asset tracking device;
FIG. 2 is a second perspective view thereof;
FIG. 3 is a first elevational view thereof;
FIG. 4 is a second elevational view thereof;
FIG. 5 is a first side elevational view thereof;
FIG. 6 is a second side elevational view thereof;
FIG. 7 is a top plan view thereof; and,
FIG. 8 is a bottom plan view thereof.
Broken lines shown in FIGS. 2 and 8 form no part of the claimed design.

1 Claim, 5 Drawing Sheets



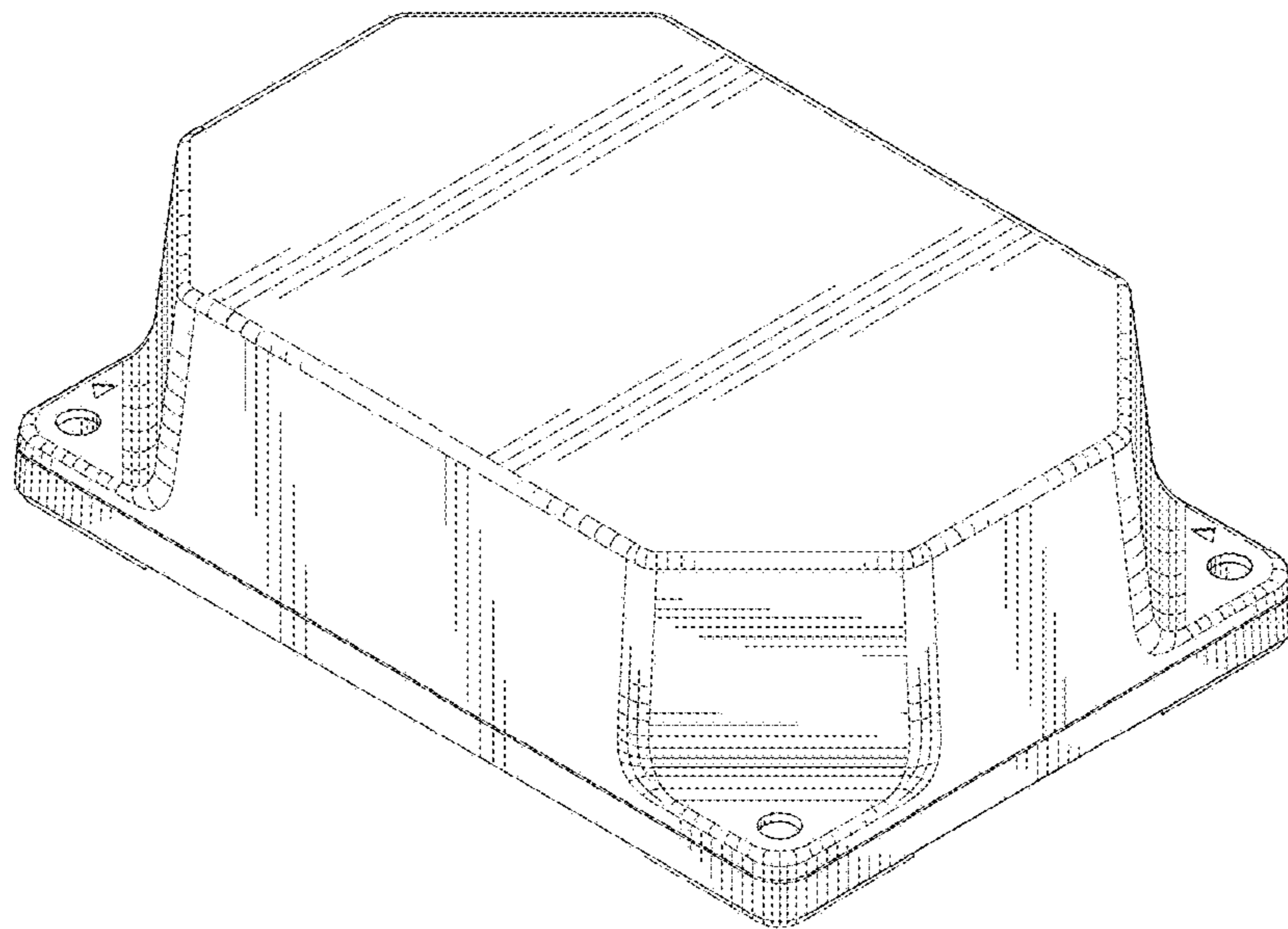


FIG.1

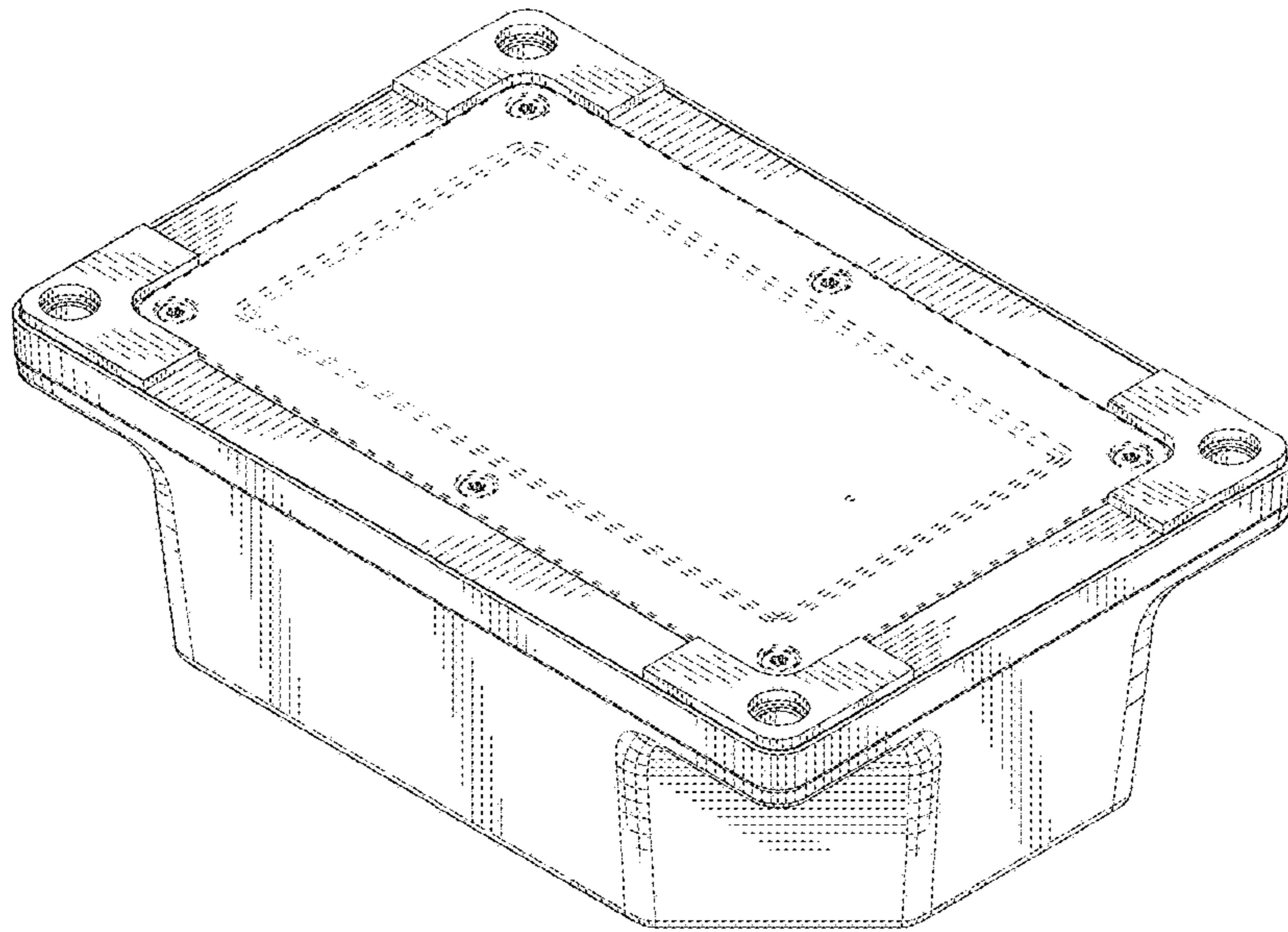


FIG.2

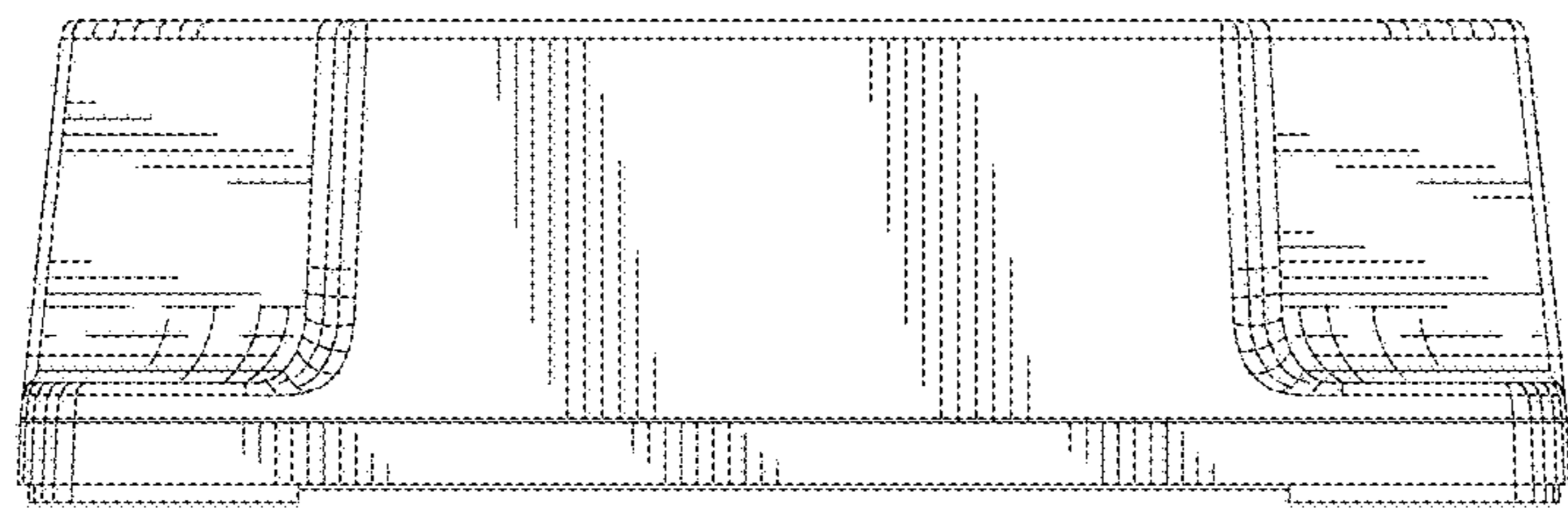


FIG.3

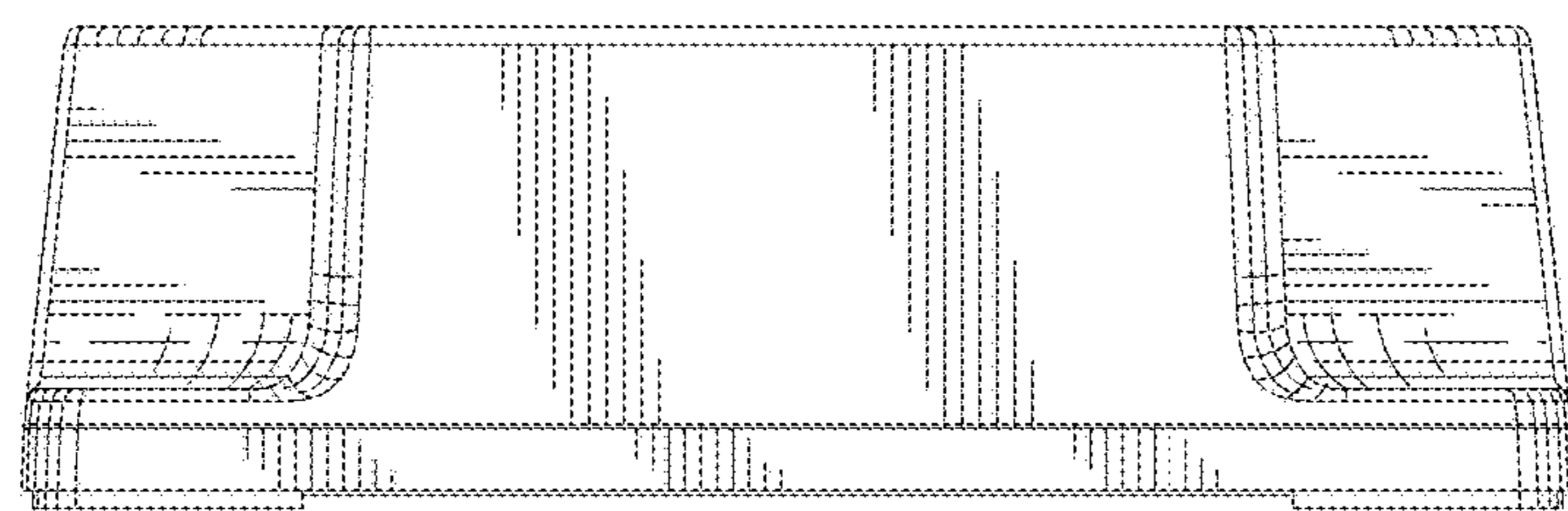


FIG.4

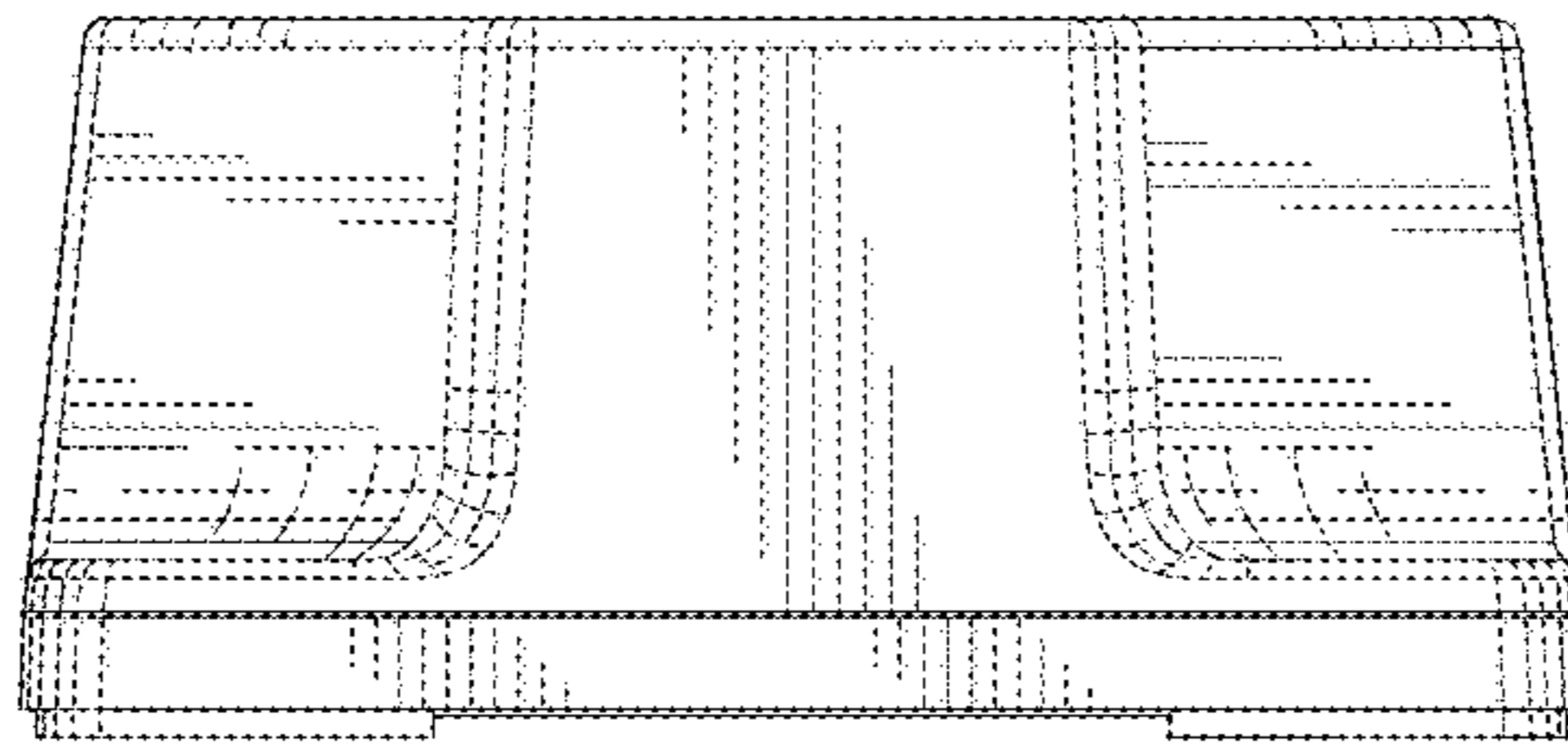


FIG. 5

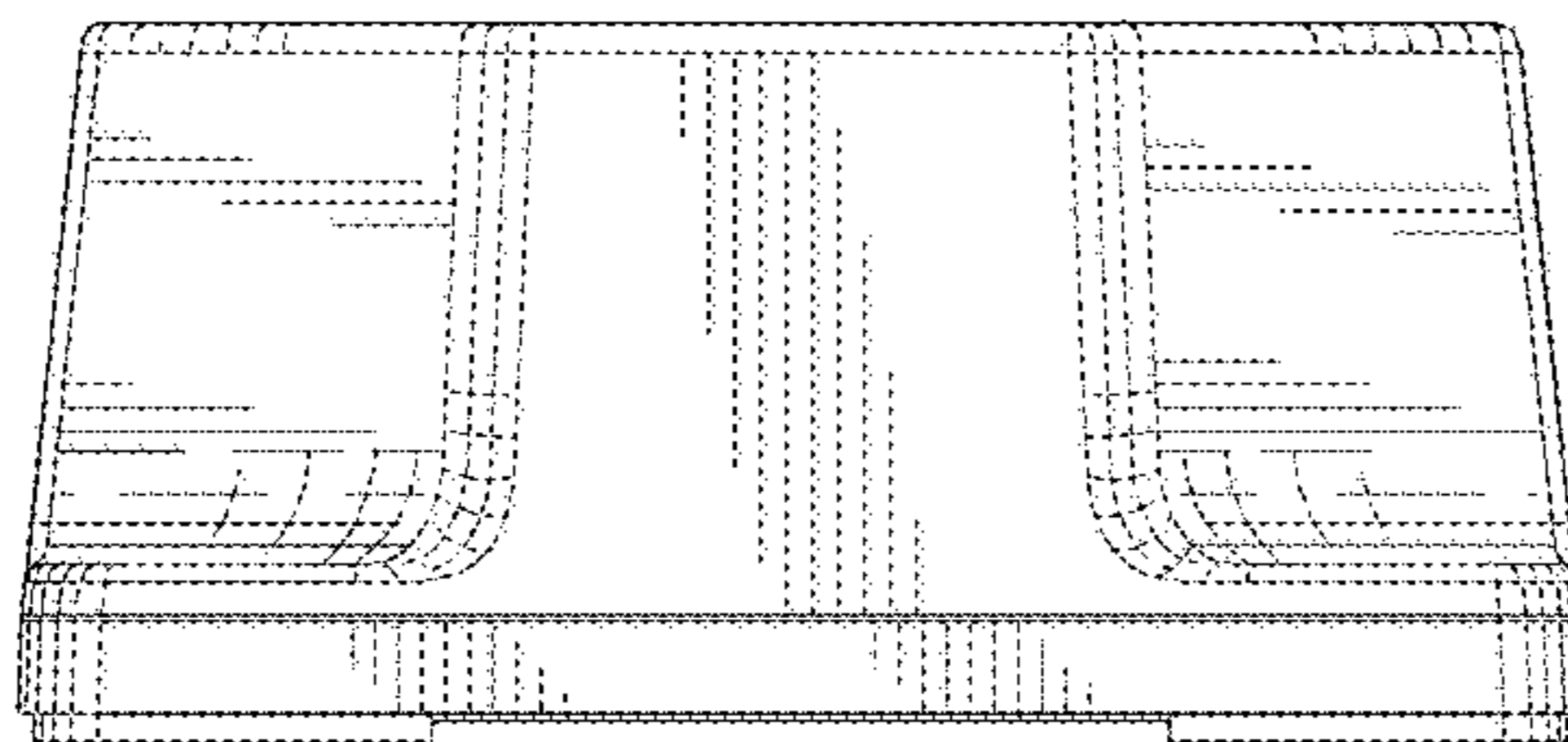


FIG. 6

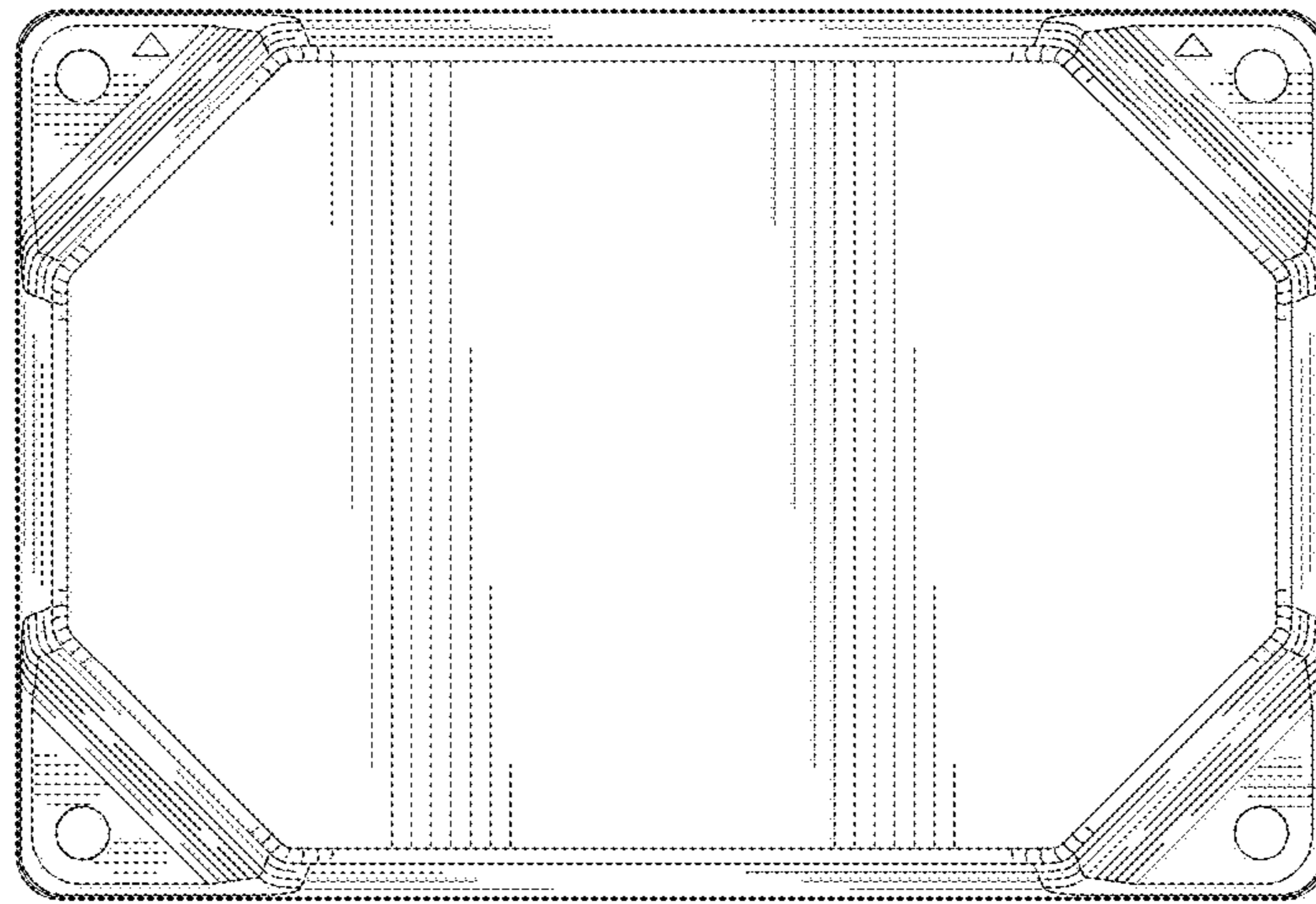


FIG. 7

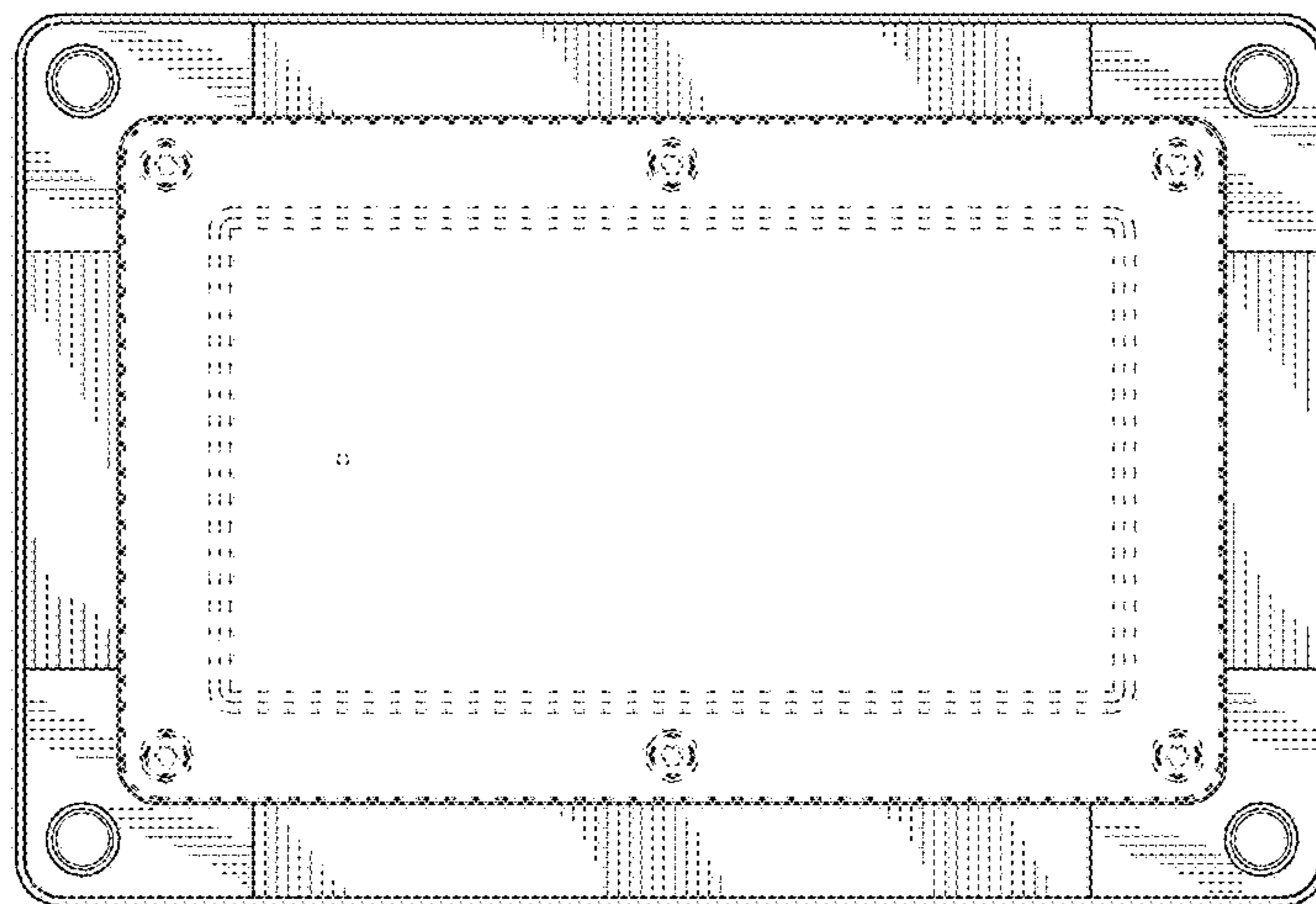


FIG. 8