



US00D838202S

(12) **United States Design Patent** (10) **Patent No.:** **US D838,202 S**
De Iuliis et al. (45) **Date of Patent:** **** Jan. 15, 2019**

(54) **SECURITY ATTACHMENT**

- (71) Applicant: **Apple Inc.**, Cupertino, CA (US)
- (72) Inventors: **Daniele De Iuliis**, San Francisco, CA (US); **David Samuel Kumka**, San Francisco, CA (US); **Eric Hong Kio Wong**, San Francisco, CA (US); **Clayton R. Woosley**, San Jose, CA (US)
- (73) Assignee: **Apple Inc.**, Cupertino, CA (US)
- (**) Term: **15 Years**
- (21) Appl. No.: **29/569,957**
- (22) Filed: **Jul. 1, 2016**
- (51) **LOC (11) Cl.** **10-05**
- (52) **U.S. Cl.**
USPC **D10/106.9**
- (58) **Field of Classification Search**
USPC D10/104.1, 104.2, 105, 106.1, 106.2, D10/106.3, 106.4, 106.5, 106.6, 106.7, D10/106.8, 106.9, 106.91, 106.92, 106.93, D10/106.94, 106.95, 107, 108, 109.1, D10/109.2, 110, 111, 112, 113.1, 113.2, D10/113.3, 113.4, 114.1, 114.2, 114.3, D10/114.4, 114.5, 114.6, 114.7, 114.8, D10/114.9, 115, 116.1, 117, 118, 118.1, D10/118.2, 119.1, 119.2, 119.3, 119.4, D10/120, 121; D8/228, 349, 354, 367, D8/372, 394; D24/127, 128; D14/900-902; D19/23, 32, 65, 77, 81, D19/99, 100, 102, 113, 121, 122, 135, D19/192, 194, 197, 202
CPC A47G 23/0225; A47G 25/06; A47G 1/16; A47G 29/08; A47F 5/0846; A47F 5/02; H02G 11/003; D06F 55/00; E04H 17/10; A45F 5/02; F16L 3/233; F16L 3/12; F16L 3/13; F16L 3/10; A47C 31/11; B65D 63/08; B43K 25/022
- See application file for complete search history.

(56) **References Cited**

U.S. PATENT DOCUMENTS

D206,896 S * 2/1967 Fiely D11/2
3,402,984 A * 9/1968 Zazzara B43K 23/012
15/443
3,666,372 A * 5/1972 Lipkowski B43L 15/00
224/217

(Continued)

OTHER PUBLICATIONS

Available May 17, 2018, [online], [site visited May 17, 2018]. Available from Internet, URL:<https://www.officesupply.com/office-supplies/writing-correction/pens-pencils/countertop-security-pens/industries-secure-ballpoint-antimicrobial-counter-with-base-black-medium/p62905.html> (Year: 2018).*

(Continued)

Primary Examiner — Cathron C Brooks
Assistant Examiner — Katrina N Gonzalez
(74) *Attorney, Agent, or Firm* — Sterne, Kessler, Goldstein & Fox P.L.L.C.

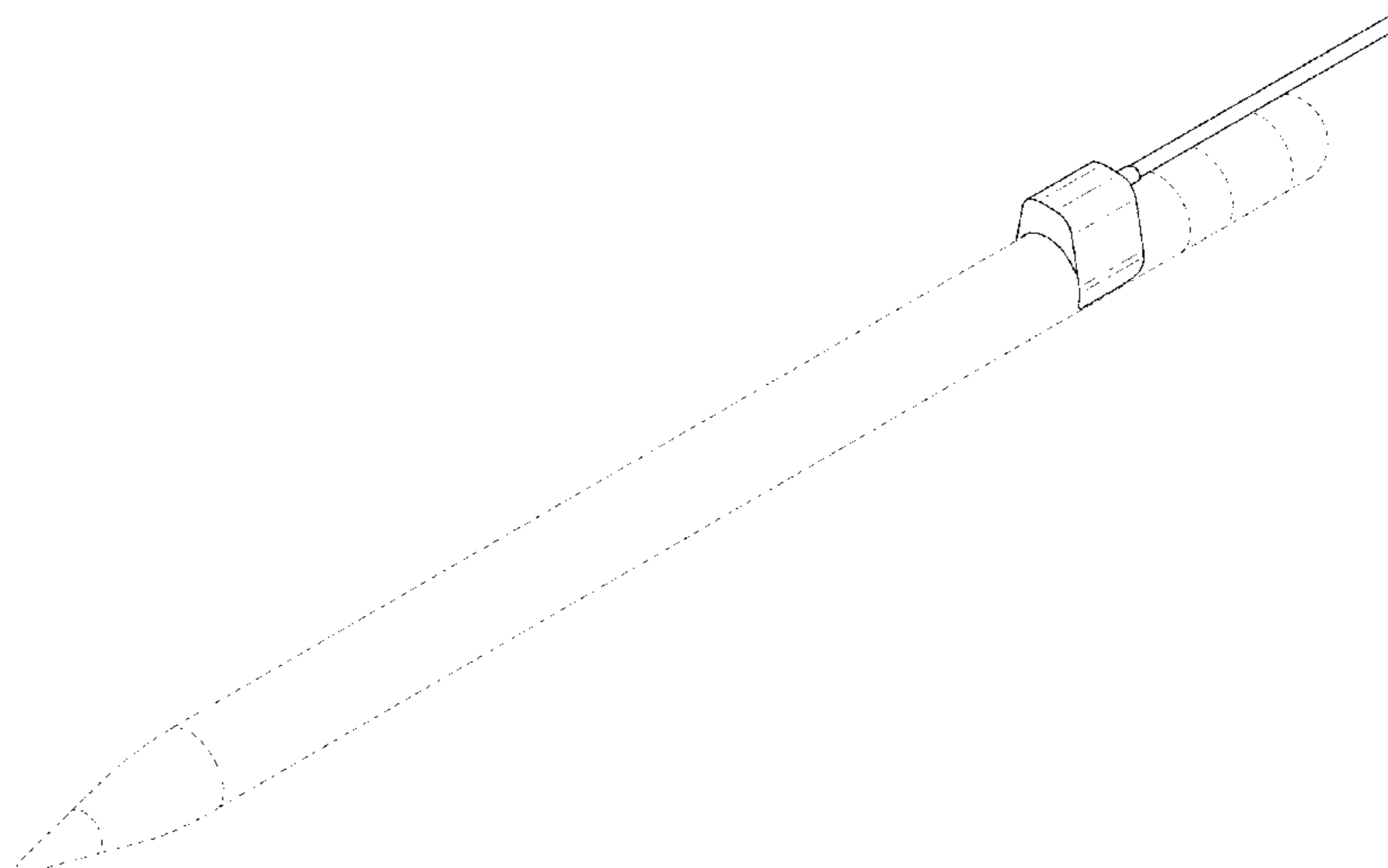
(57) **CLAIM**

The ornamental design for a security attachment, as shown and described.

DESCRIPTION

FIG. 1 is a top front perspective view of a security attachment showing the claimed design;
FIG. 2 is a rear view thereof;
FIG. 3 is a front view thereof;
FIG. 4 is a top side view thereof;
FIG. 5 is a bottom side view thereof;
FIG. 6 is a left view thereof; and,
FIG. 7 is a right view thereof.
The broken lines in the figures show portions of the security attachment or environment that form no part of the claimed design.

1 Claim, 3 Drawing Sheets



(56)

References Cited

U.S. PATENT DOCUMENTS

D231,638 S * 5/1974 Leedy D19/77
 D281,174 S * 10/1985 Mahoney D19/122
 D299,659 S * 1/1989 Lantz D19/122
 D342,969 S * 1/1994 Edwards D19/81
 D353,840 S * 12/1994 Dietterich D19/77
 D359,512 S * 6/1995 Rogers D19/135
 5,666,702 A * 9/1997 Ming-Chieh B42F 1/006
 24/338
 5,820,095 A * 10/1998 Stone B43K 23/00
 248/316.7
 D409,902 S * 5/1999 Salvucci D8/403
 6,056,468 A * 5/2000 Niewiadomski B43K 29/02
 401/195
 D458,637 S * 6/2002 Gaeta D19/135
 D471,316 S * 3/2003 Budde D27/161
 6,543,615 B2 * 4/2003 Lake B42F 9/002
 206/371
 D476,569 S * 7/2003 Simkins D9/455
 D476,881 S * 7/2003 Niwa D6/328
 D486,523 S * 2/2004 Lederer D19/83
 D487,482 S * 3/2004 Disher D19/65
 D526,743 S * 8/2006 Battista, III D19/197
 D534,065 S * 12/2006 Andre D8/395
 D536,735 S * 2/2007 Johnson D19/81
 D551,713 S * 9/2007 Schmidt D19/189
 D567,290 S * 4/2008 Sato D19/194

D586,398 S * 2/2009 Cheng D19/197
 D592,703 S * 5/2009 Graham D19/81
 D608,394 S * 1/2010 Leanza D19/81
 D613,797 S * 4/2010 Krapf D19/99
 D620,982 S * 8/2010 Parshad D19/81
 D634,434 S * 3/2011 Pukall D24/174
 D661,609 S * 6/2012 Groves D10/109.1
 D691,032 S * 10/2013 Chen D8/396
 D708,264 S * 7/2014 Roundy D19/197
 D712,473 S * 9/2014 Andochick D19/81
 D723,036 S * 2/2015 Longo D14/411
 D723,565 S * 3/2015 Kujawski D14/411
 D725,622 S * 3/2015 Daniel D14/138 R
 D747,275 S * 1/2016 Rodrigue D13/155
 D747,276 S * 1/2016 Rodrigue D13/155
 D754,530 S * 4/2016 Schroeder D8/396
 D784,118 S * 4/2017 Reddy D8/356
 D800,542 S * 10/2017 O'Dea D8/367
 D801,881 S * 11/2017 Brown, Jr. D12/133
 D808,255 S * 1/2018 Pittman D8/396
 D816,477 S * 5/2018 Kim D8/396
 D817,158 S * 5/2018 Scimone D8/367

OTHER PUBLICATIONS

Available May 17, 2018, [online], [site visited May 17, 2018].
 Available from Internet, URL: <https://www.studioproper.com/products/pencil-dock> (Year: 2018).*

* cited by examiner

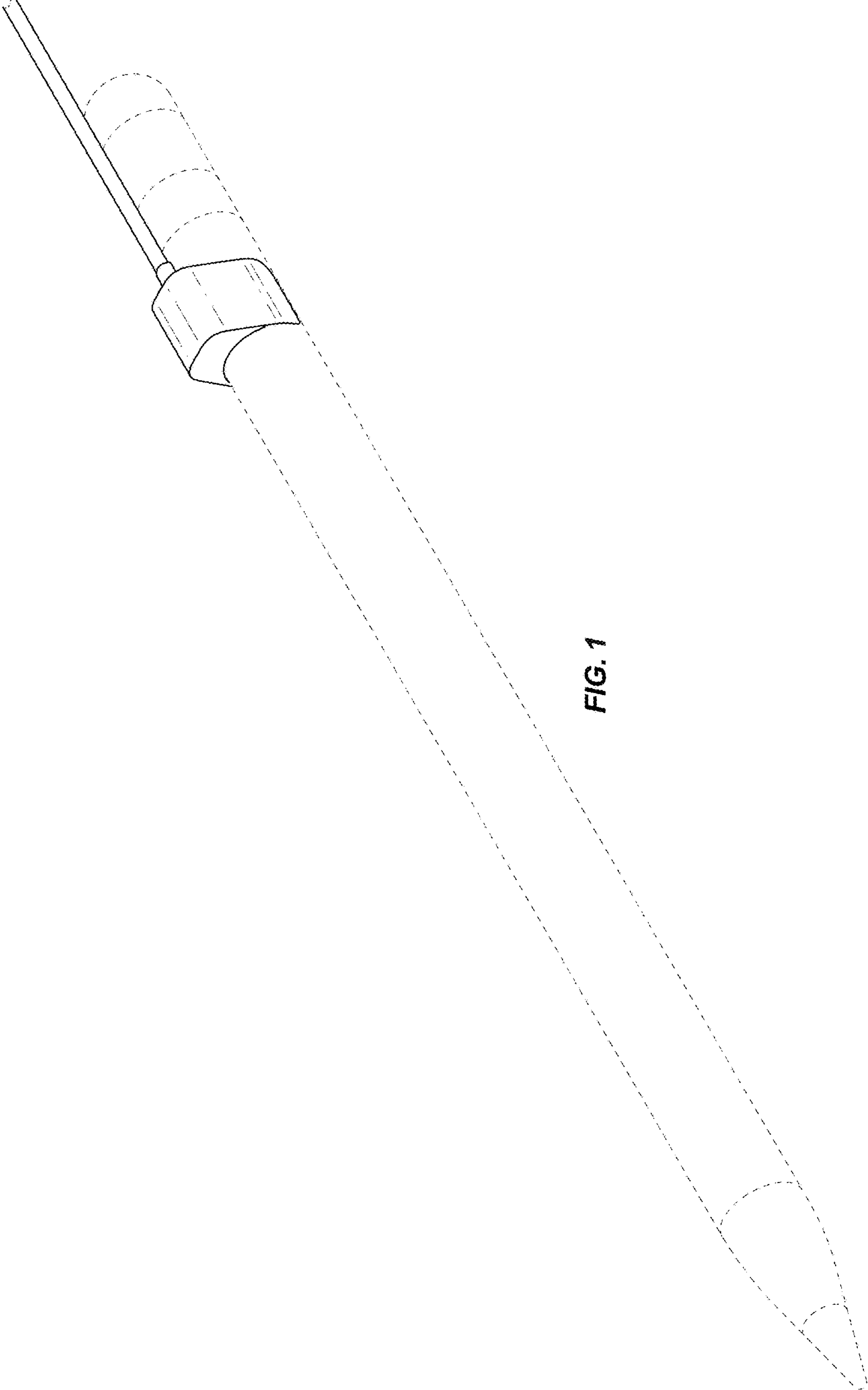


FIG. 1

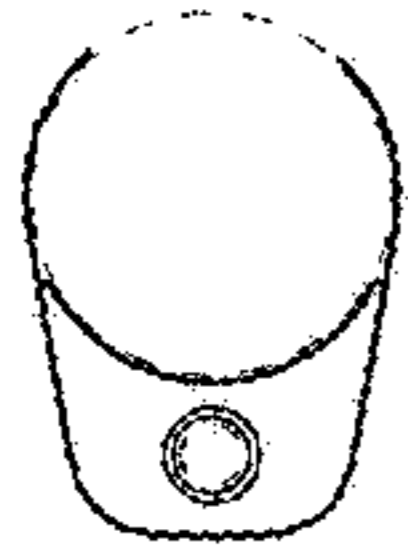


FIG. 2

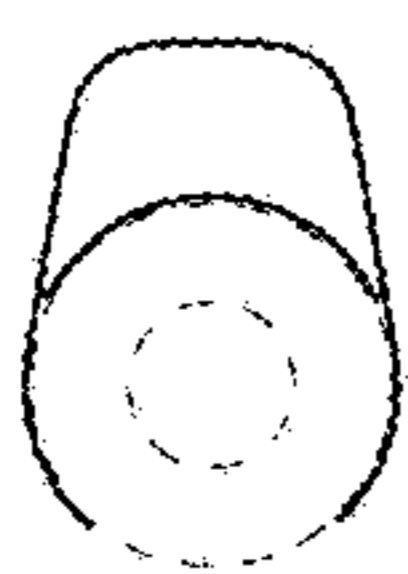


FIG. 3

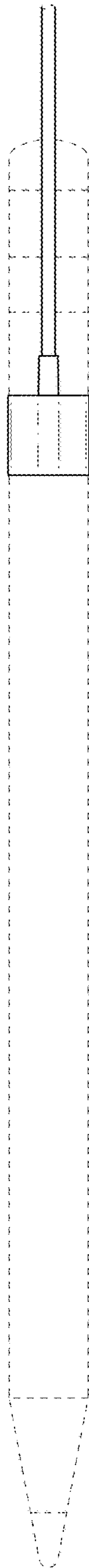


FIG. 4

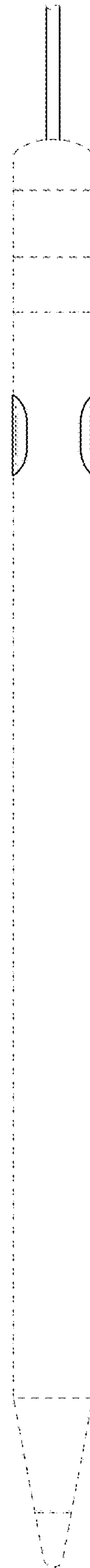


FIG. 5

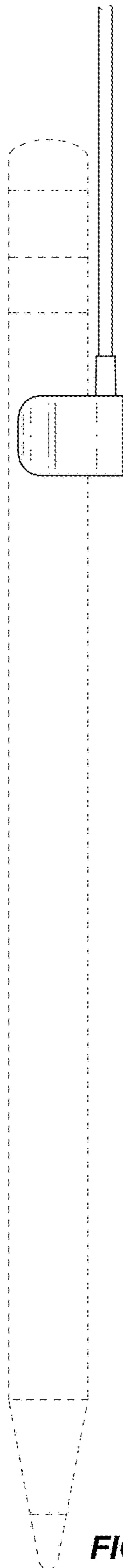


FIG. 6

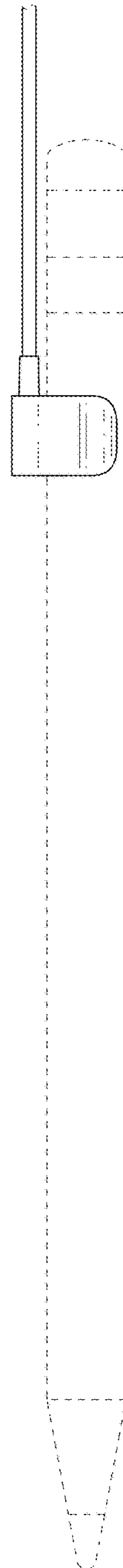


FIG. 7