



US00D838201S

(12) **United States Design Patent**
Laird

(10) **Patent No.:** **US D838,201 S**

(45) **Date of Patent:** **** Jan. 15, 2019**

(54) **PYROELECTRIC DETECTOR**
(71) Applicant: **Pyreos Limited**, Edinburgh (GB)
(72) Inventor: **Ron Laird**, Airdrie (GB)
(73) Assignee: **Pyreos Limited**, Edinburgh (GB)

D348,468 S * 7/1994 Wathen D14/219
D394,653 S * 5/1998 Kato D14/159
D490,396 S * 5/2004 Yamaguchi D14/142
D511,984 S * 11/2005 Kumagai D10/104.1
D621,731 S * 8/2010 Goody D10/65
D740,781 S * 10/2015 Thomas D14/159
D764,957 S * 8/2016 Bhattacharya D10/104.1
D773,328 S * 12/2016 DeLeon D10/104.1

(**) Term: **15 Years**

* cited by examiner

(21) Appl. No.: **29/624,293**

Primary Examiner — George D. Kirschbaum

(22) Filed: **Oct. 31, 2017**

Assistant Examiner — Joseph J Kukella

(30) **Foreign Application Priority Data**

(74) *Attorney, Agent, or Firm* — Dorton and Willis LLP;
Ryan Willis

May 1, 2017 (EM) 003897529-0003
May 1, 2017 (EM) 003897529-0004

(51) **LOC (11) Cl.** **10-05**

(57) **CLAIM**

(52) **U.S. Cl.**
USPC **D10/104.1**

I claim the ornamental design for an pyroelectric detector, as shown and described.

(58) **Field of Classification Search**
USPC D10/46, 75, 78, 79, 80, 104.1,
D10/106.1–106.95, 116.1, 118, 118.2,
D10/119.1, 121, 125, 126, 132; D14/159;
D13/123, 133, 146–149, 153, 154, 156,
D13/158, 183
CPC G08B 17/06; G08B 17/10; G08B 17/103;
G08B 17/107; G08B 21/12; G08B 21/22;
G08B 15/00; H04M 11/02; H04M
11/025; H04N 7/186
See application file for complete search history.

DESCRIPTION

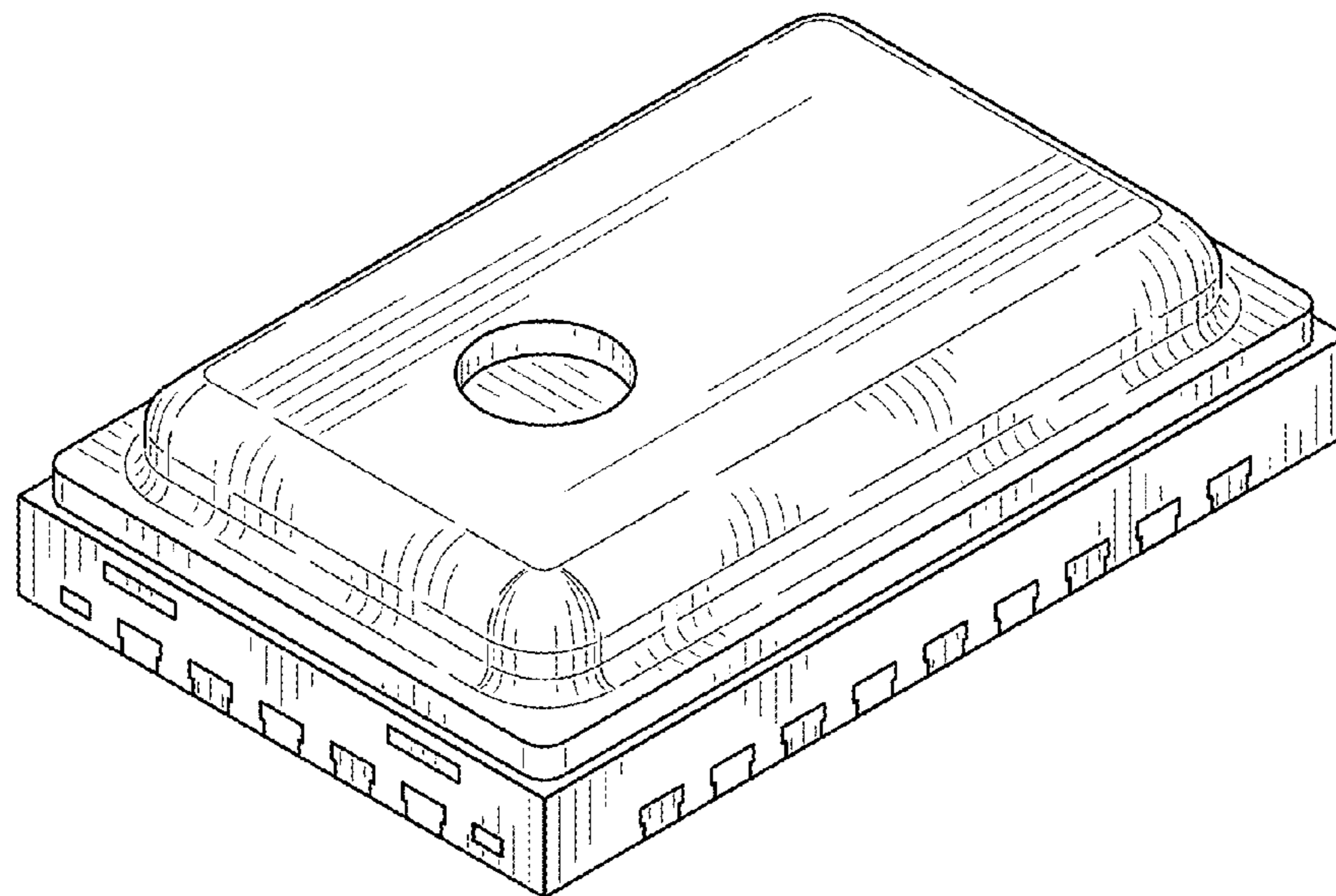
FIG. 1 is a top perspective view of an pyroelectric detector in accordance with the present design;
FIG. 2 is a left side view of the pyroelectric detector;
FIG. 3 is a right side view of the pyroelectric detector;
FIG. 4 is a front view of the pyroelectric detector;
FIG. 5 is a back view of the pyroelectric detector;
FIG. 6 is a top view of the pyroelectric detector; and,
FIG. 7 is a bottom view of the pyroelectric detector.
The broken lines depict portions of the pyroelectric detector that form no part of the claimed design.

(56) **References Cited**

U.S. PATENT DOCUMENTS

D282,360 S * 1/1986 Yamagata D14/159
D313,593 S * 1/1991 Morooka D14/159

1 Claim, 3 Drawing Sheets



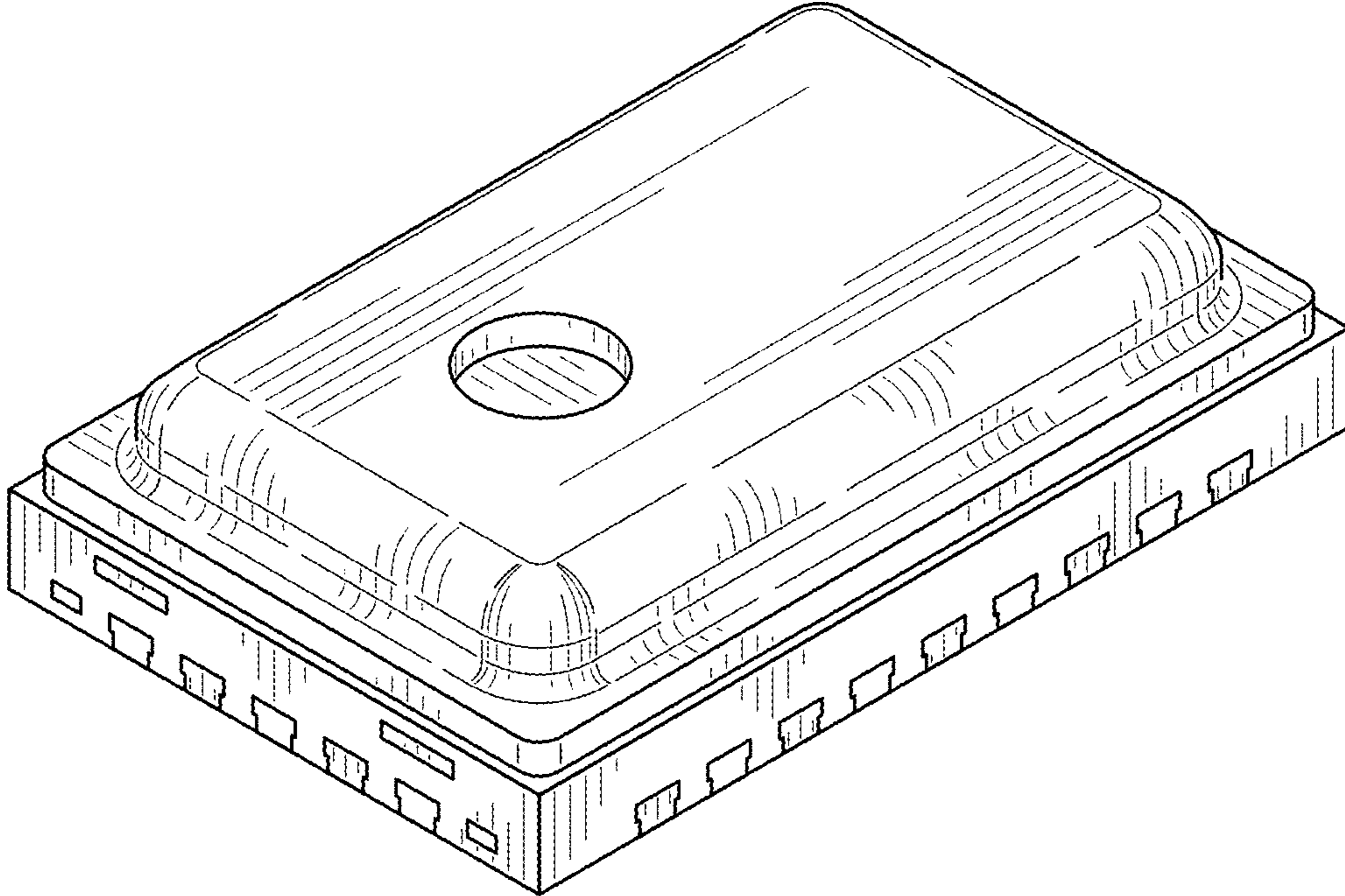


FIG. 1

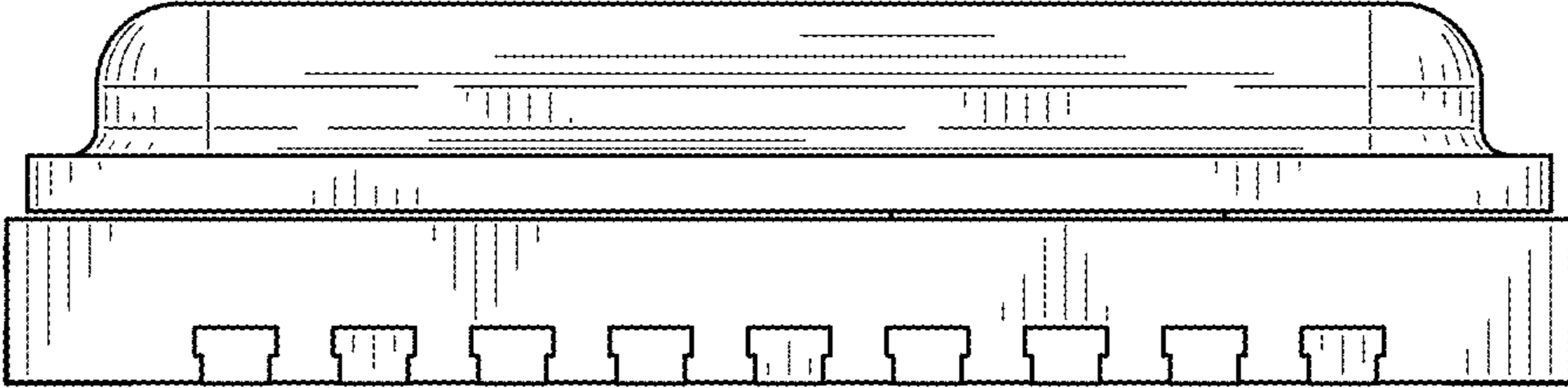


FIG. 2

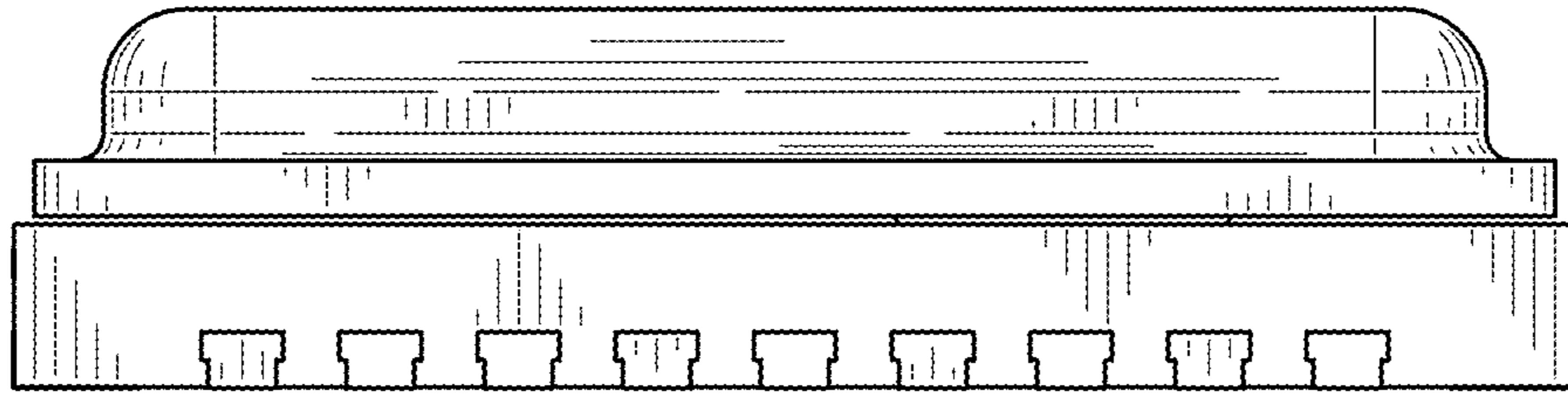


FIG. 3

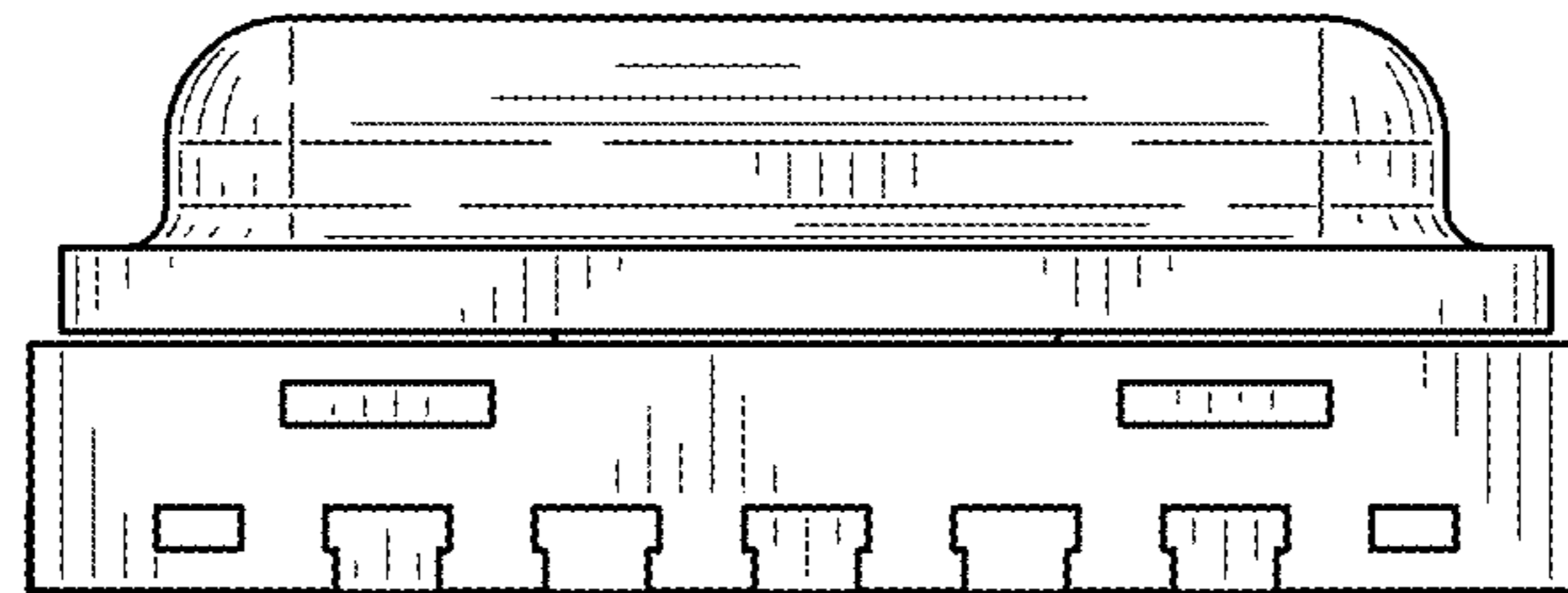


FIG. 4

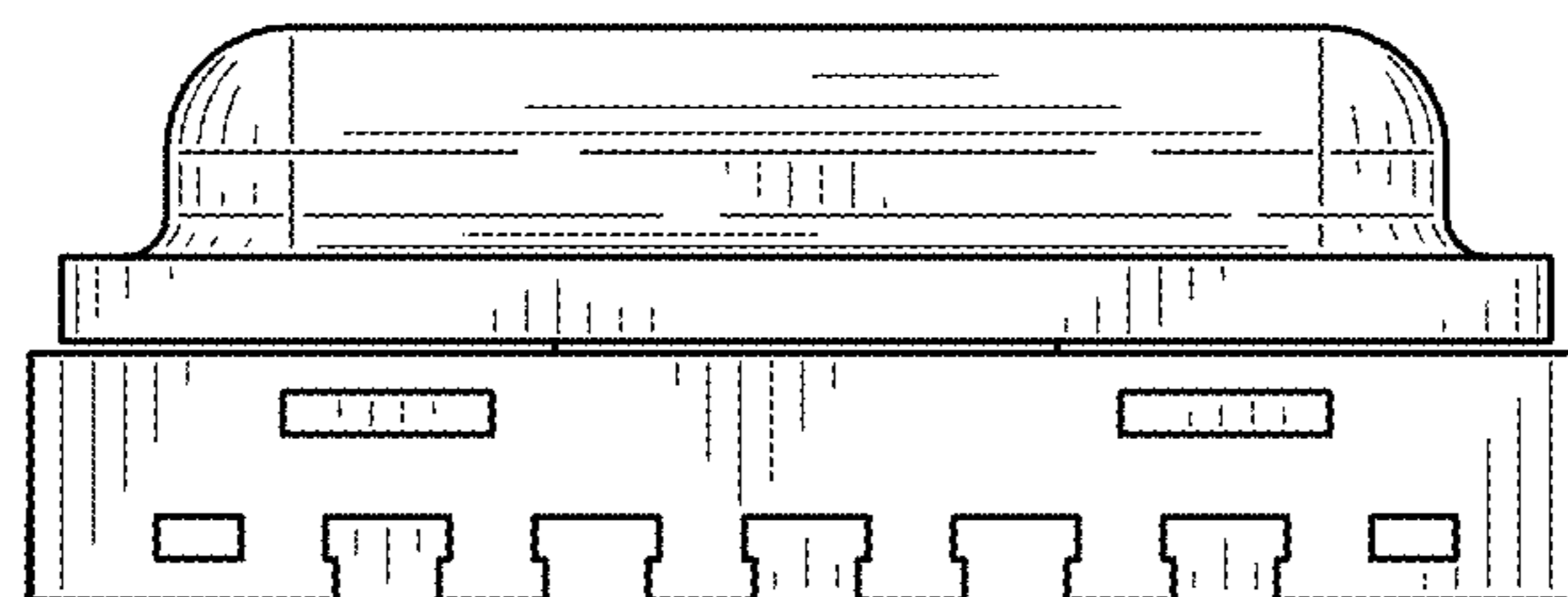


FIG. 5

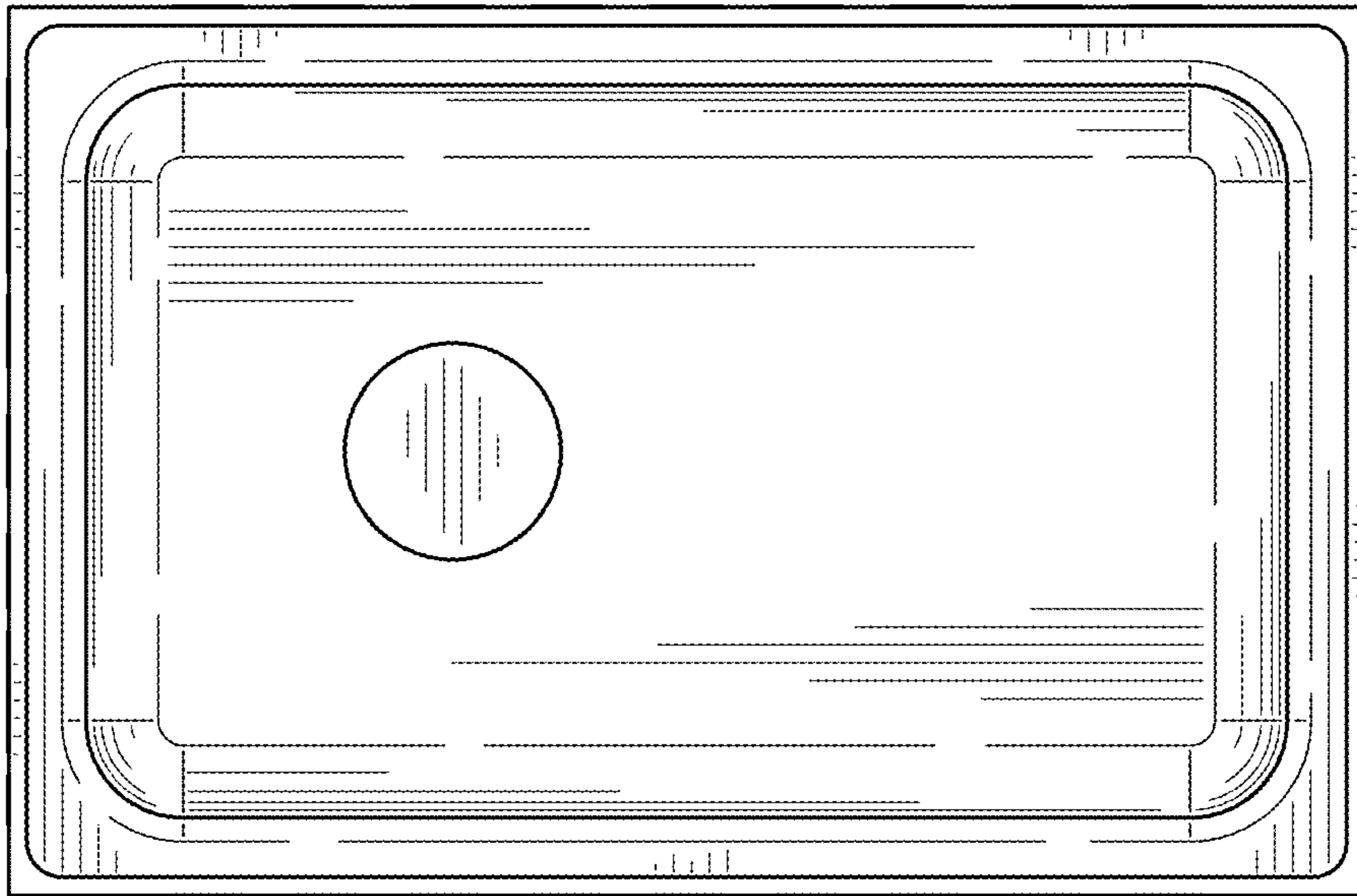


FIG. 6

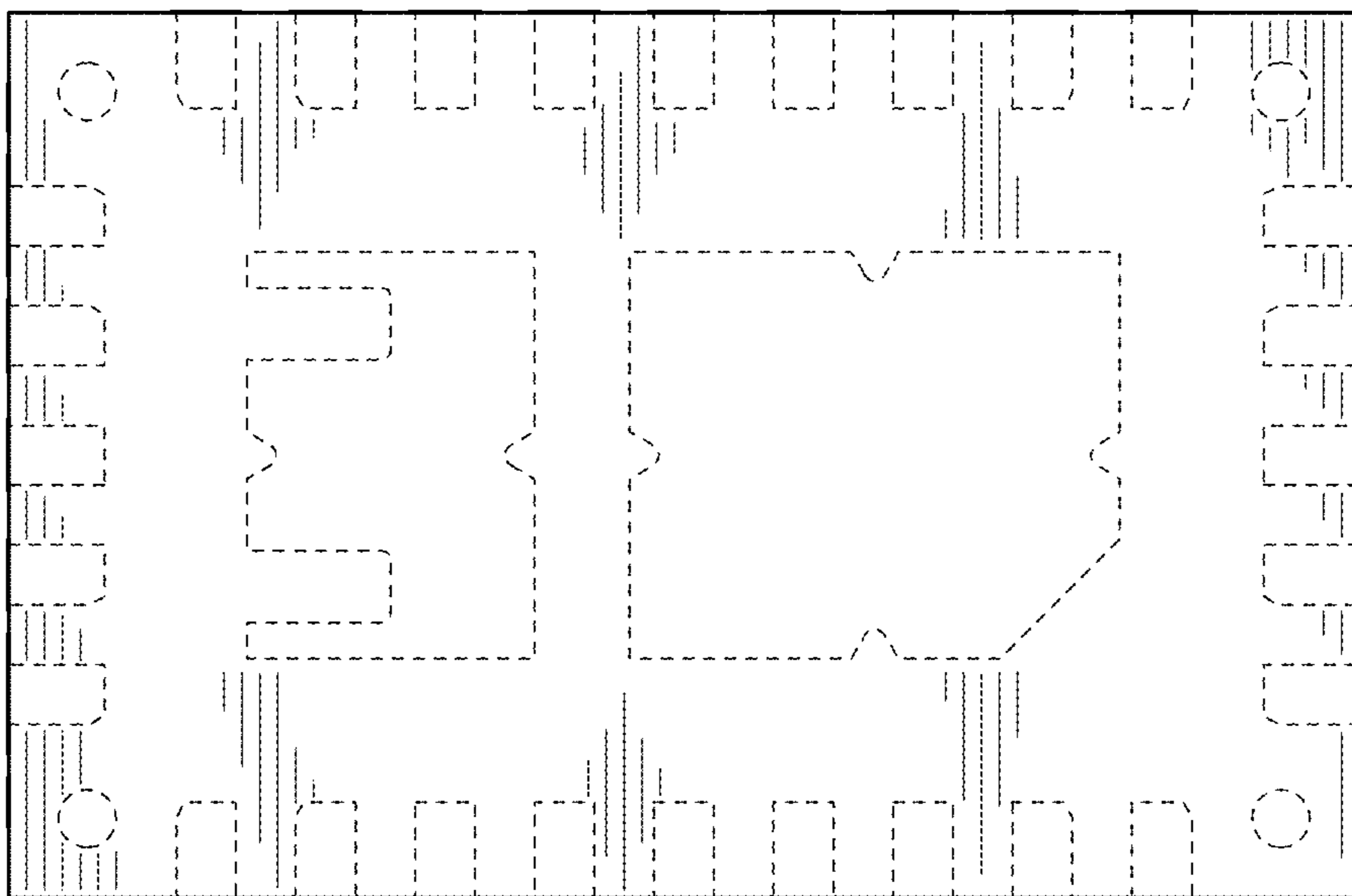


FIG. 7