



US00D838200S

(12) **United States Design Patent** (10) **Patent No.:** **US D838,200 S**
Li (45) **Date of Patent:** **** Jan. 15, 2019**

(54) **BAMBOO CUTTING BOARD KITCHEN SCALE**

(71) Applicant: **Guangdong Senssun Weighing Apparatus Group Ltd., Zhongshan (CN)**

(72) Inventor: **Jun Wei Li, Zhongshan (CN)**

(73) Assignee: **Guangdong Senssun Weighing Apparatus Group Ltd., Zhongshan (CN)**

(**) Term: **15 Years**

(21) Appl. No.: **29/605,369**

(22) Filed: **May 25, 2017**

(30) **Foreign Application Priority Data**

Jan. 22, 2017 (CN) 2017 3 0025930

(51) **LOC (11) Cl.** **10-04**

(52) **U.S. Cl.**
USPC **D10/91**

(58) **Field of Classification Search**
USPC D10/91
CPC G01G 19/40; G01G 19/41; G01G 19/413; G01G 19/414; G01G 19/4144; G01G 19/42; G01G 23/3728; G01G 23/3735; G01G 21/28; G01G 21/283; G01G 21/286; G01G 21/30; G06Q 20/208
See application file for complete search history.

(56) **References Cited**

U.S. PATENT DOCUMENTS

| | | | |
|----------------|--------|-----------------|--------------|
| D285,541 S * | 9/1986 | Elkerbout | D10/91 |
| 6,600,110 B1 * | 7/2003 | Thadani | G01G 1/18 |
| | | | 177/126 |
| 9,091,585 B2 * | 7/2015 | Turner | G01G 5/006 |
| 9,698,549 B2 * | 7/2017 | Kempf | G01G 19/4144 |
| 9,903,752 B2 * | 2/2018 | Pan | G01G 21/22 |

* cited by examiner

Primary Examiner — Antoine Duval Davis

(74) *Attorney, Agent, or Firm* — Wang Law Firm, Inc.

(57) **CLAIM**

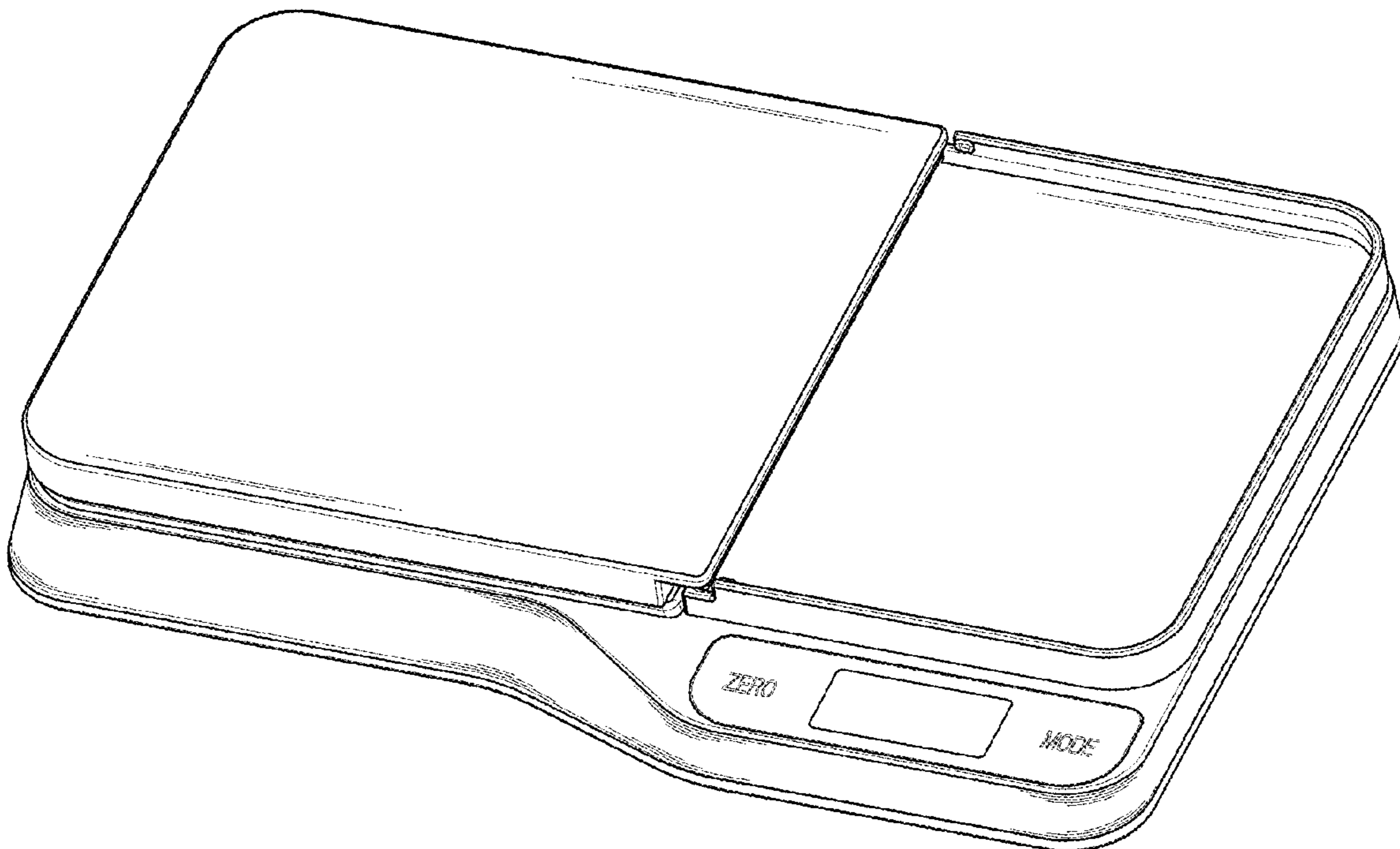
The ornamental design for a bamboo cutting board kitchen scale, as shown and described.

DESCRIPTION

FIG. 1 is a perspective view of the bamboo cutting board kitchen scale showing my new design; FIG. 2 is a front elevation view thereof; FIG. 3 is a rear elevation view thereof; FIG. 4 is a left side elevation view thereof; FIG. 5 is a right side elevation view thereof; FIG. 6 is a top plan view thereof; and, FIG. 7 is a bottom plan view thereof.

The broken line showing of structural features is included for the purpose of illustrating non-claimed subject matter and forms no part of the claimed design.

1 Claim, 7 Drawing Sheets



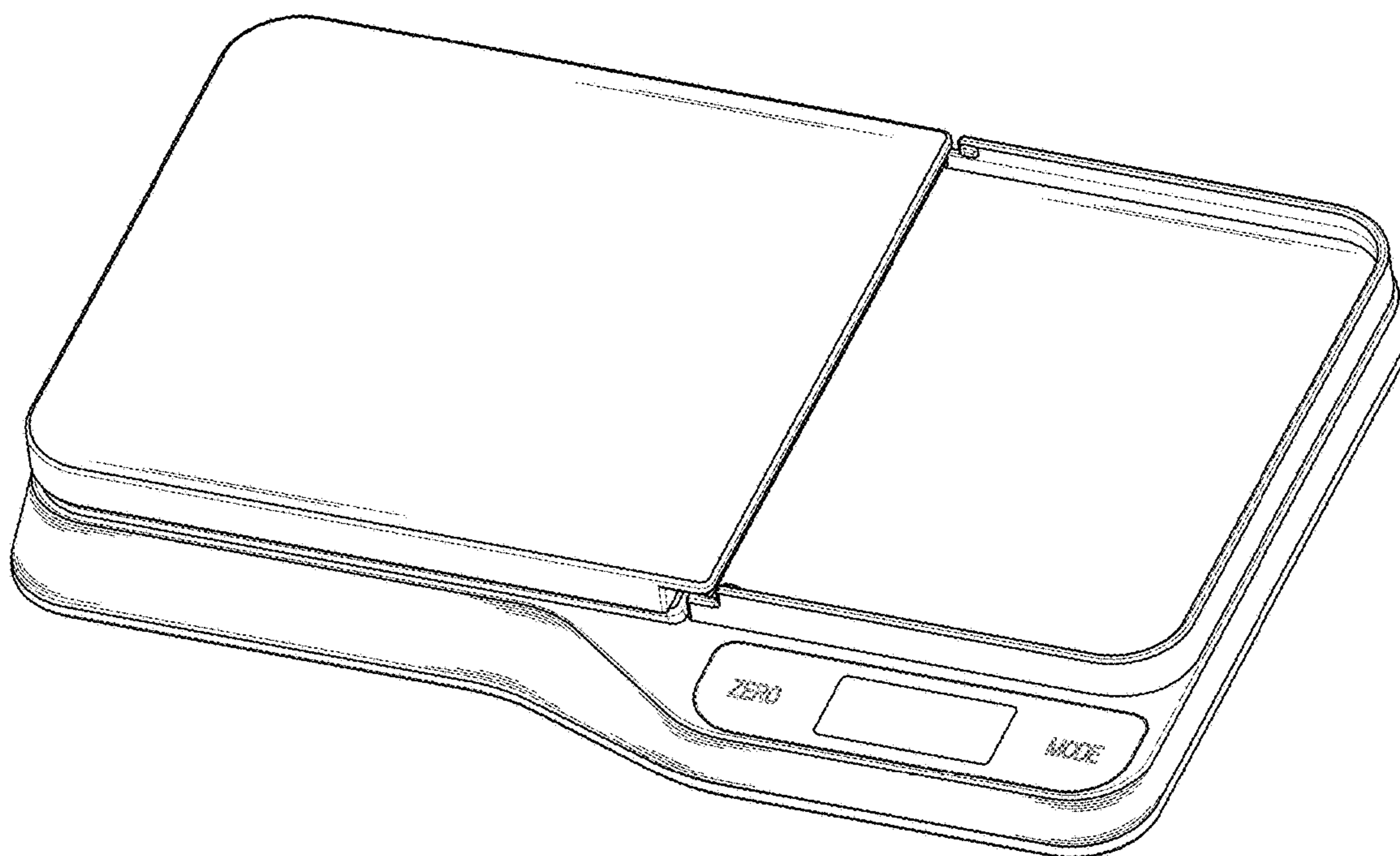


FIG.1

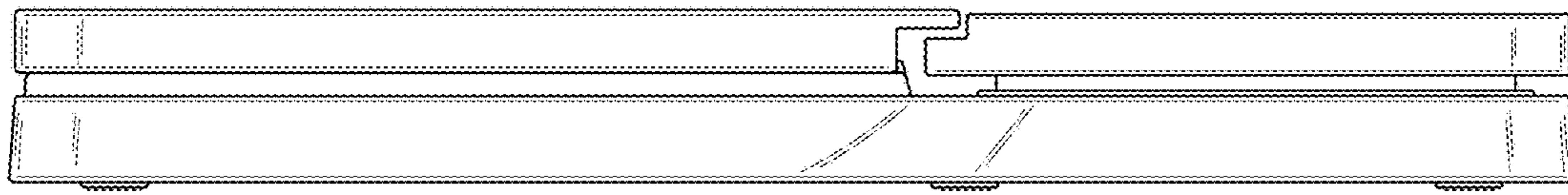


FIG.2

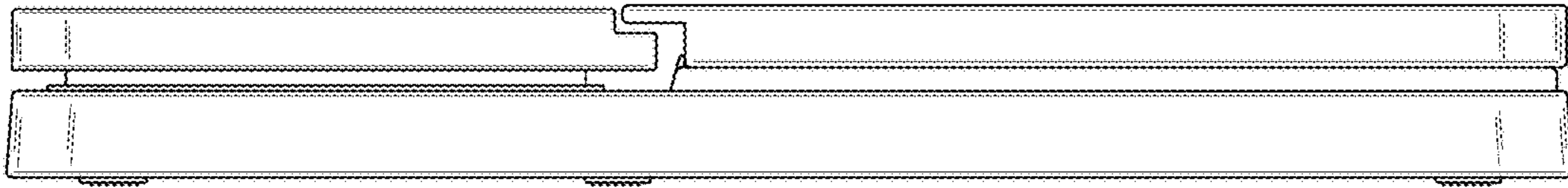


FIG.3

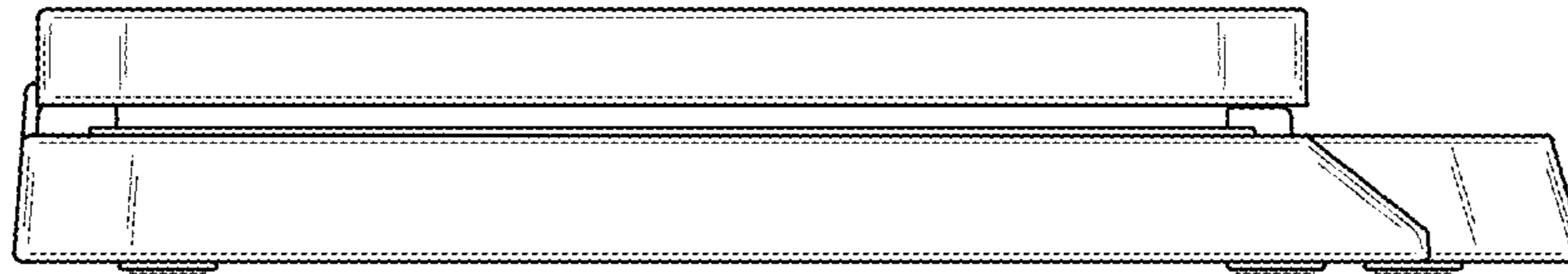


FIG.4

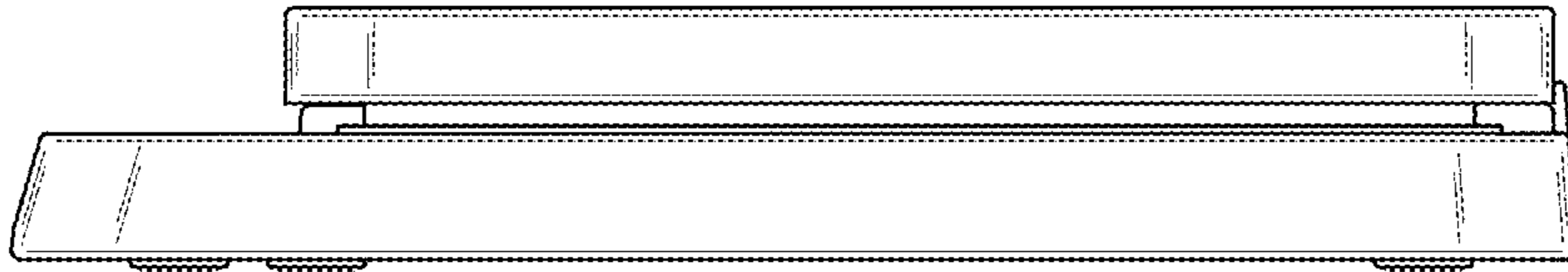


FIG.5

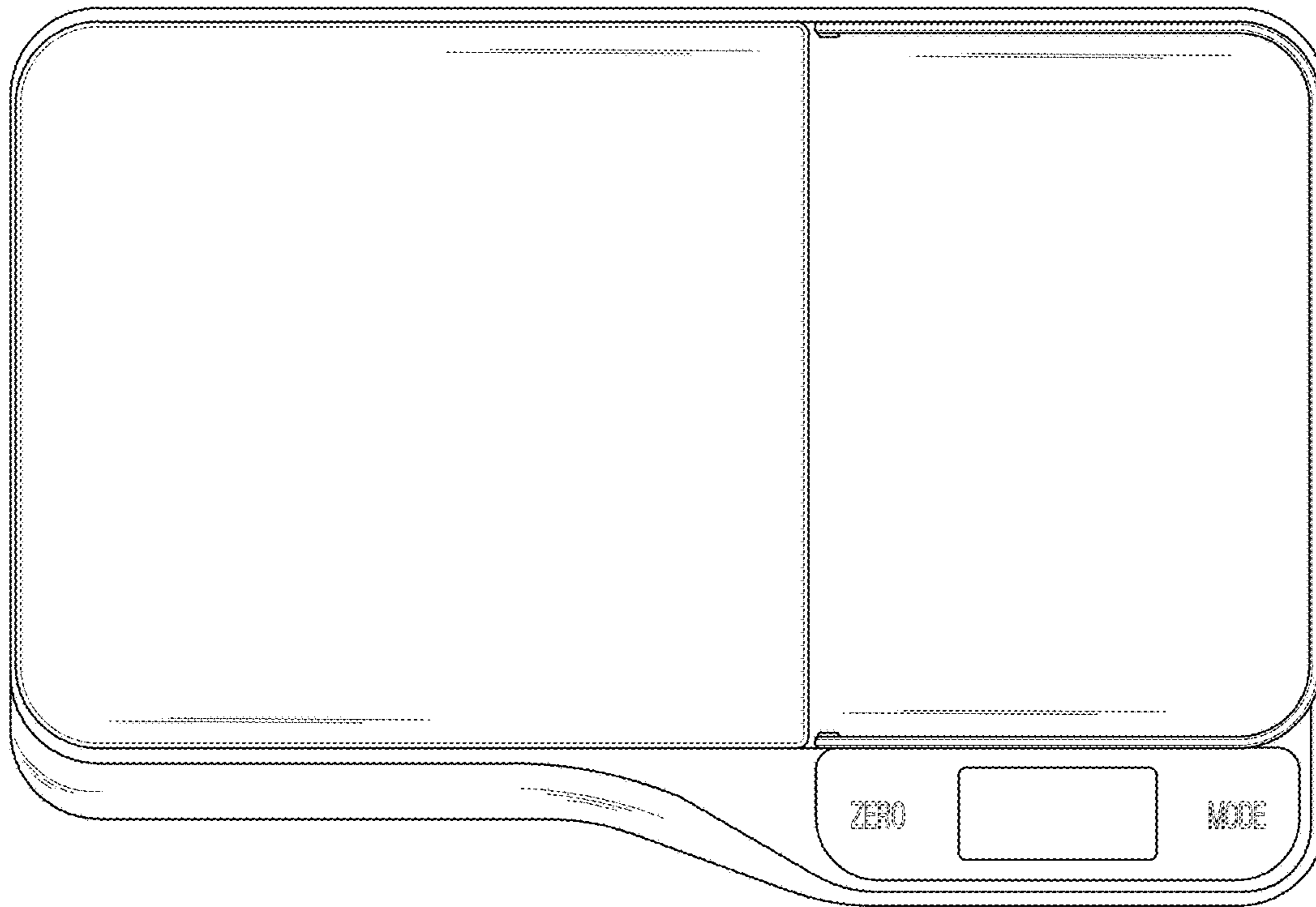


FIG.6

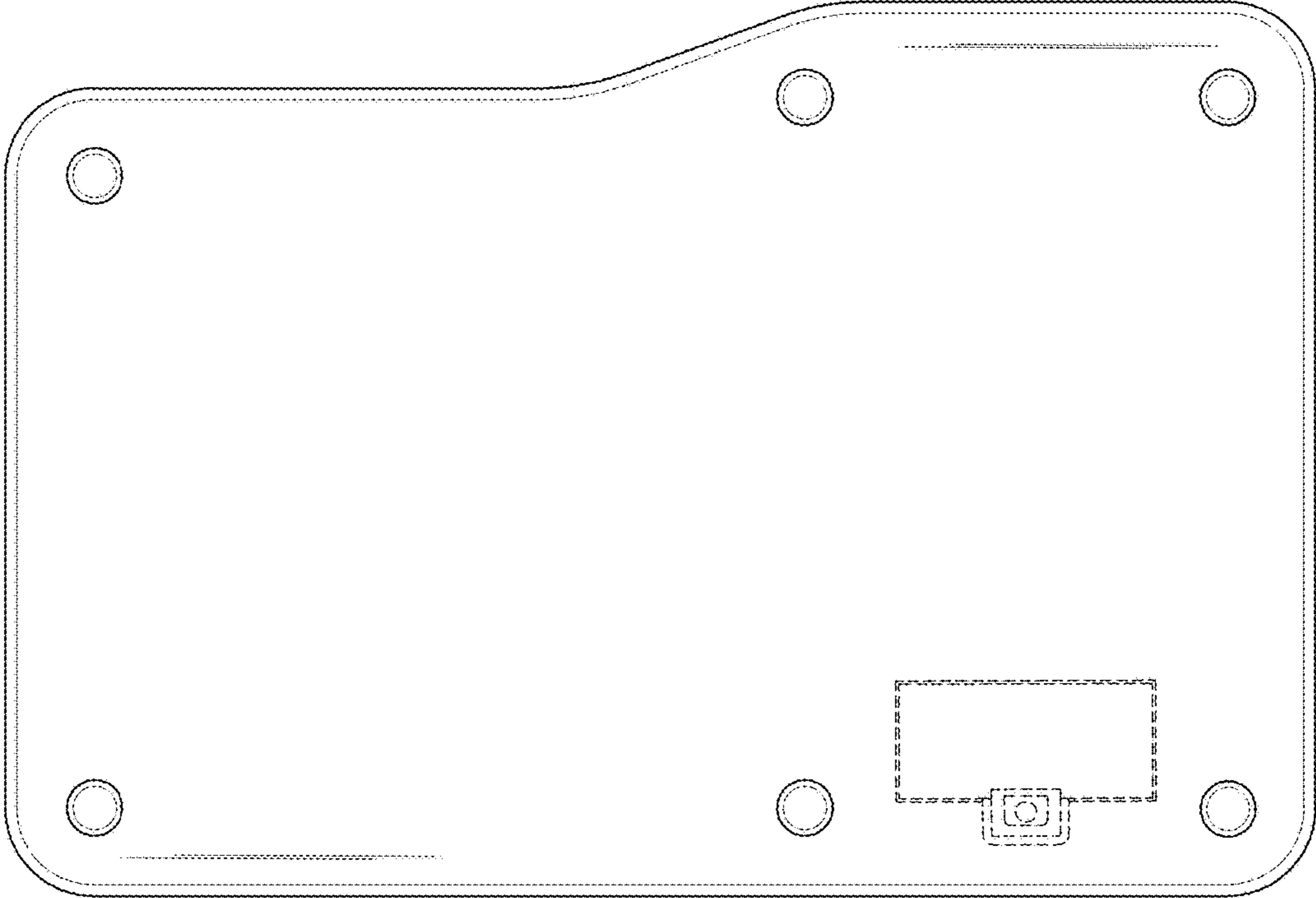


FIG.7