



US00D838199S

(12) **United States Design Patent**  
**Wilson, II et al.**

(10) **Patent No.:** **US D838,199 S**  
(45) **Date of Patent:** **\*\* Jan. 15, 2019**

(54) **BALANCER WEIGHT TRAY**

D552,497 S 10/2007 Parker  
7,882,739 B1 2/2011 Truex  
9,250,151 B2\* 2/2016 Matteucci ..... G01M 1/225

(71) Applicant: **Hunter Engineering Company**, St. Louis, MO (US)

(72) Inventors: **James D. Wilson, II**, Collinsville, IL (US); **Gregory F. Meyer**, St. Louis, MO (US)

(73) Assignee: **Hunter Engineering Company**, St. Louis, MO (US)

(\*\*) Term: **15 Years**

(21) Appl. No.: **29/610,304**

(22) Filed: **Jul. 11, 2017**

(51) **LOC (11) Cl.** ..... **10-04**

(52) **U.S. Cl.**  
USPC ..... **D10/82**

(58) **Field of Classification Search**  
USPC ..... D10/82

CPC ..... G01M 1/00; G01M 1/02; G01M 1/04; G01M 1/045; G01M 1/06; G01M 1/08; G01M 1/10; G01M 1/12; G01M 1/122; G01M 1/125; G01M 1/127; G01M 1/14; G01M 1/16; G01M 1/18; G01M 1/20; G01M 1/22; G01M 1/225; G01M 1/24; G01M 1/26; G01M 1/28; G01M 1/30; G01M 1/32; G01M 1/323; G01M 1/326; G01M 1/34; G01M 1/36; G01M 1/365  
See application file for complete search history.

(56) **References Cited**

**U.S. PATENT DOCUMENTS**

D255,015 S \* 5/1980 Hihara ..... D10/82  
D315,524 S 3/1991 Cunningham et al.  
5,969,247 A 10/1999 Carter et al.  
6,732,585 B1 5/2004 Cunningham et al.

**OTHER PUBLICATIONS**

Hunter Engineering Company, Road Force Elite, Product Literature Form No. 7123-T, Apr. 2017 (16 Pages).

(Continued)

*Primary Examiner* — Antoine Duval Davis

(74) *Attorney, Agent, or Firm* — Sandberg Phoenix & von Gontard, P.C.

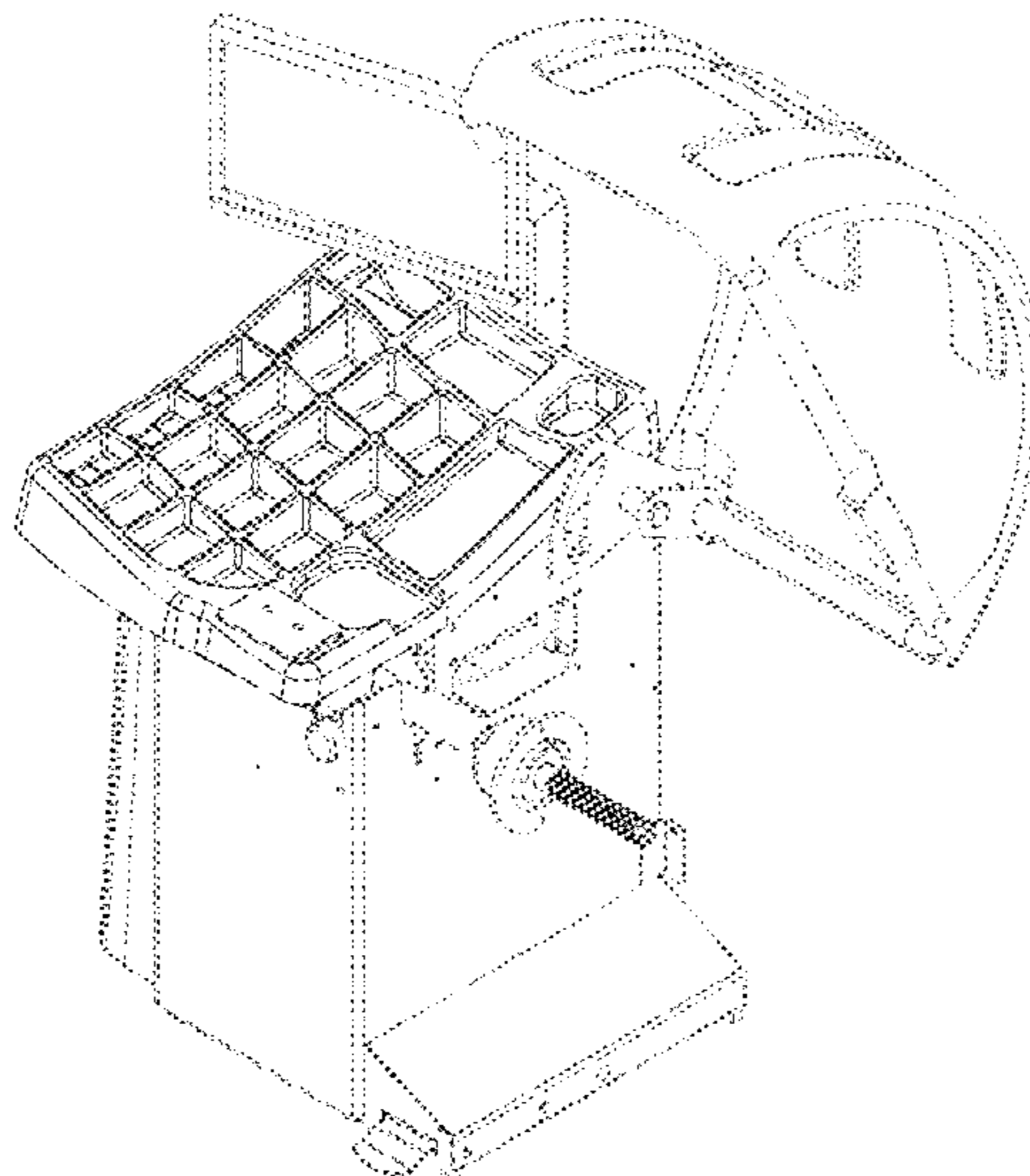
(57) **CLAIM**

The ornamental design for the balancer weight tray, as shown and described.

**DESCRIPTION**

FIG. 1 is a top-right perspective view of the balancer weight tray;  
FIG. 2 is a top-left perspective view of the balancer weight tray of FIG. 1;  
FIG. 3 is a top plan view of the balancer weight tray of FIG. 1;  
FIG. 4 is a bottom plan view of the balancer weight tray of FIG. 1;  
FIG. 5 is front plan view of the balancer weight tray of FIG. 1;  
FIG. 6 is rear plan view of the balancer weight tray of FIG. 1;  
FIG. 7 is a right side plan view of the balancer weight tray of FIG. 1;  
FIG. 8 is a left side plane view of the balancer weight tray of FIG. 1; and,  
FIG. 9 is a top-right perspective view of the balancer weight tray of FIG. 1 installed for context on a wheel balancer structure, the wheel balancer structure forming no part of the claimed design.

**1 Claim, 9 Drawing Sheets**



(56)

**References Cited**

OTHER PUBLICATIONS

Hunter Engineering Company, Road Force Touch (RFT) and Smartweight Touch (SWT), select pages from Product Literature Form No. 12-26, Mar. 2016 (7 Pages).

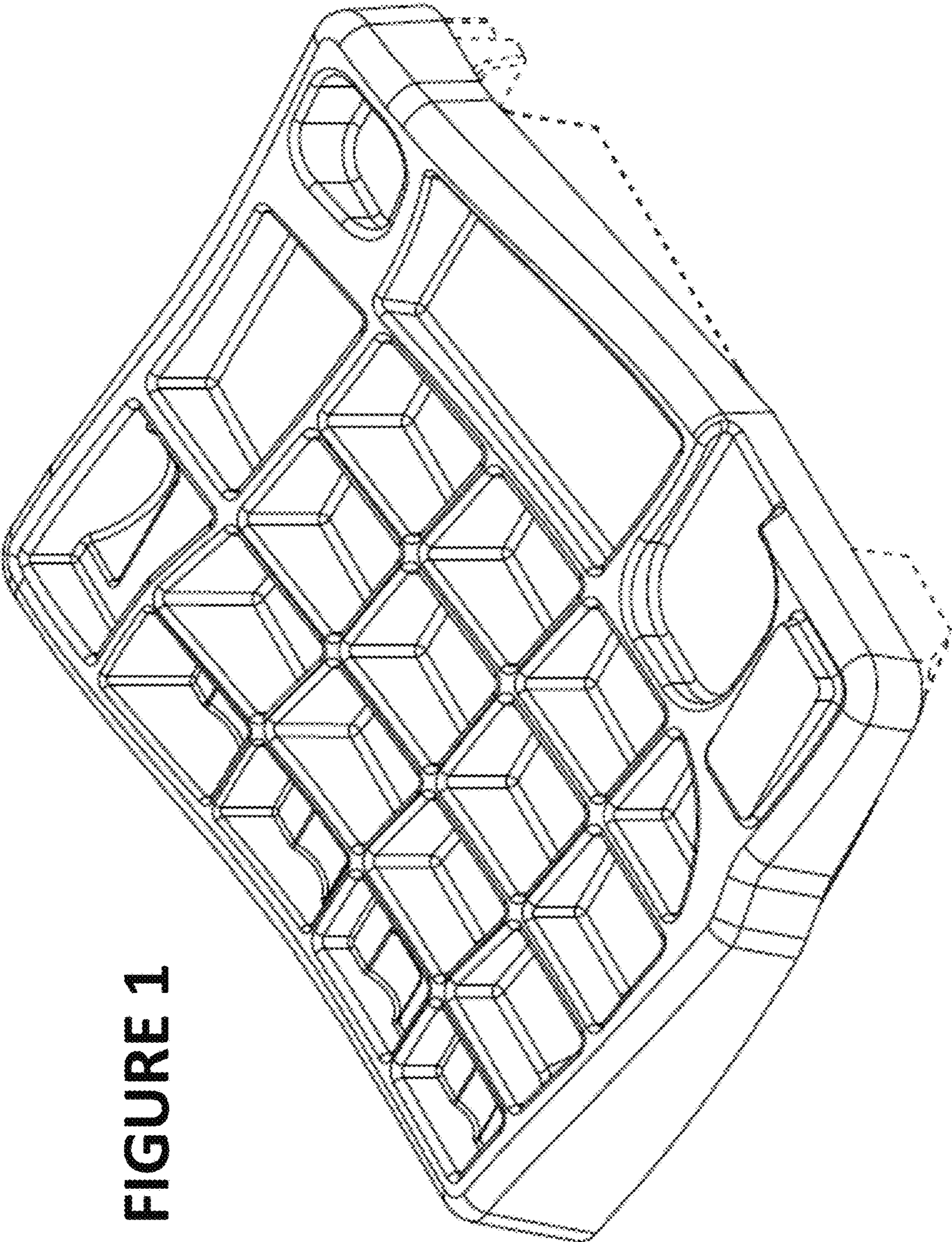
Hunter Engineering Company, Road Force Touch Elite (RFE), select pages from Product Literature Form No. 12-30, Feb. 2017 (7 Pages).

Corghi, EyeLight DiagnosticLine Wheel Balancer, Product Literature Form No. DPCG00055D, Mar. 2017 (8 Pages).

Johnbean, BFH 1000 Wheel Balancer, Product Literature Form No. SS2559E, Oct. 2011 (6 Pages).

Hunter Engineering Company, SmartWeight Touch, Product Literature Form No. 6046-T, May 2017 (8 Pages).

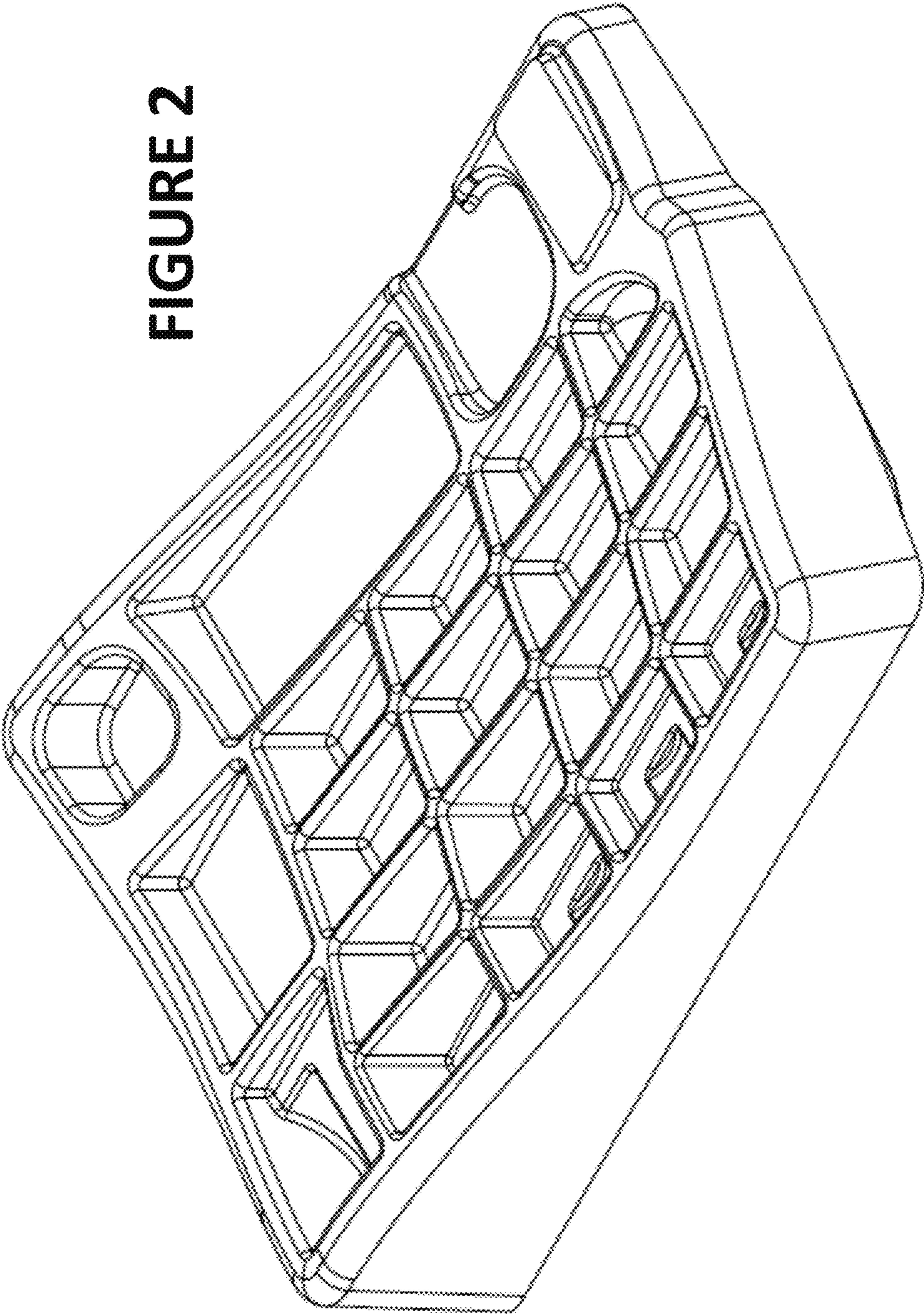
\* cited by examiner

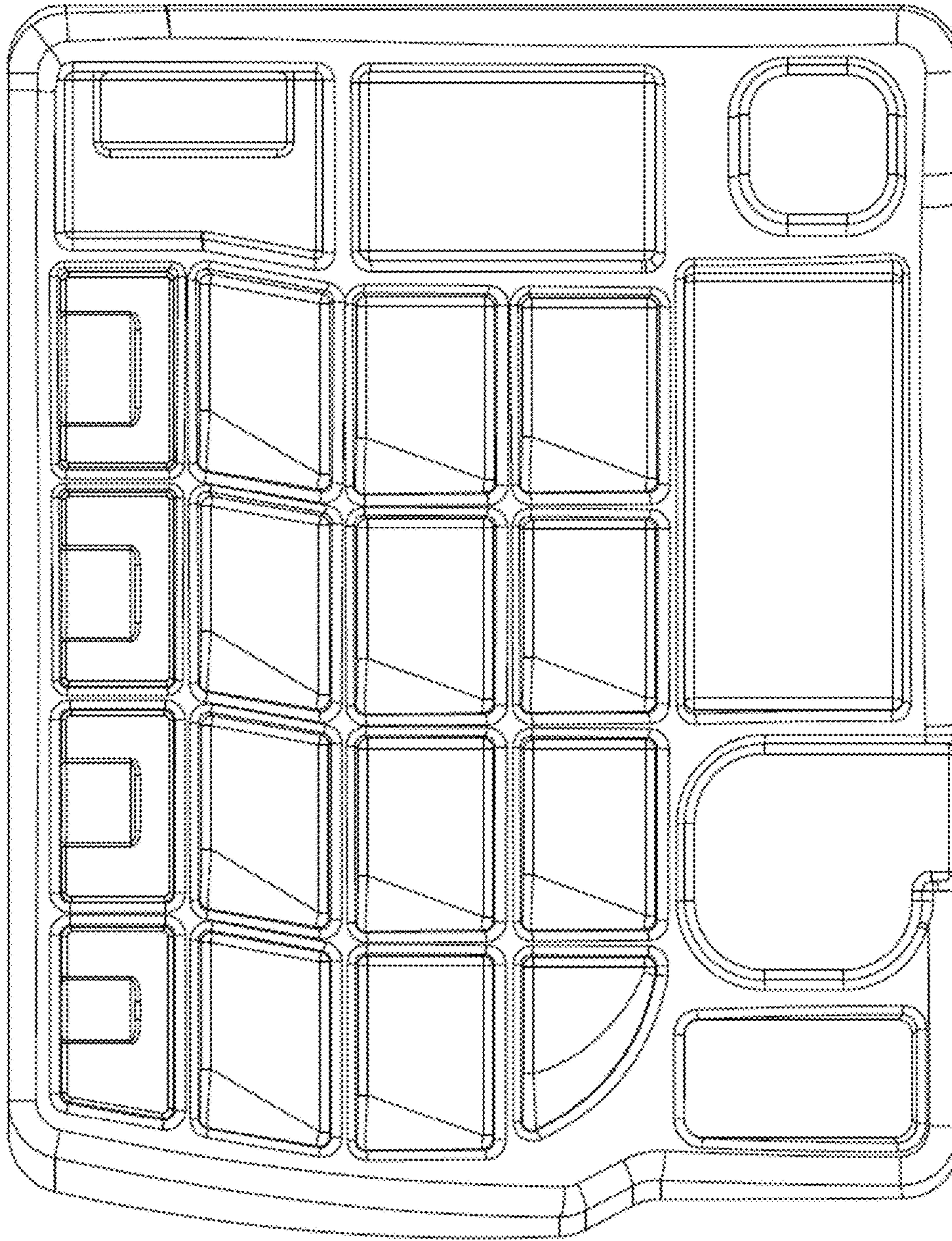


**FIGURE 1**



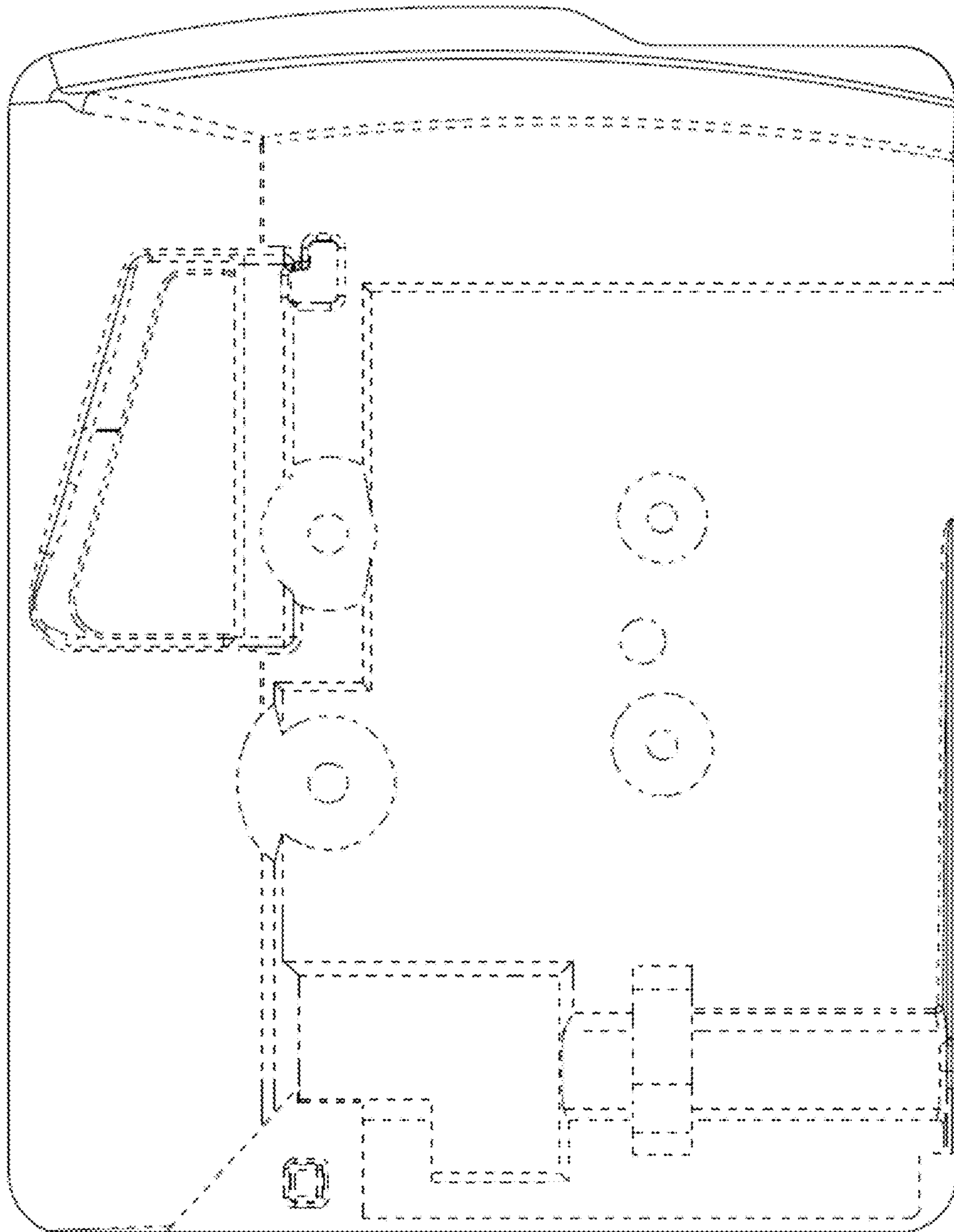
**FIGURE 2**



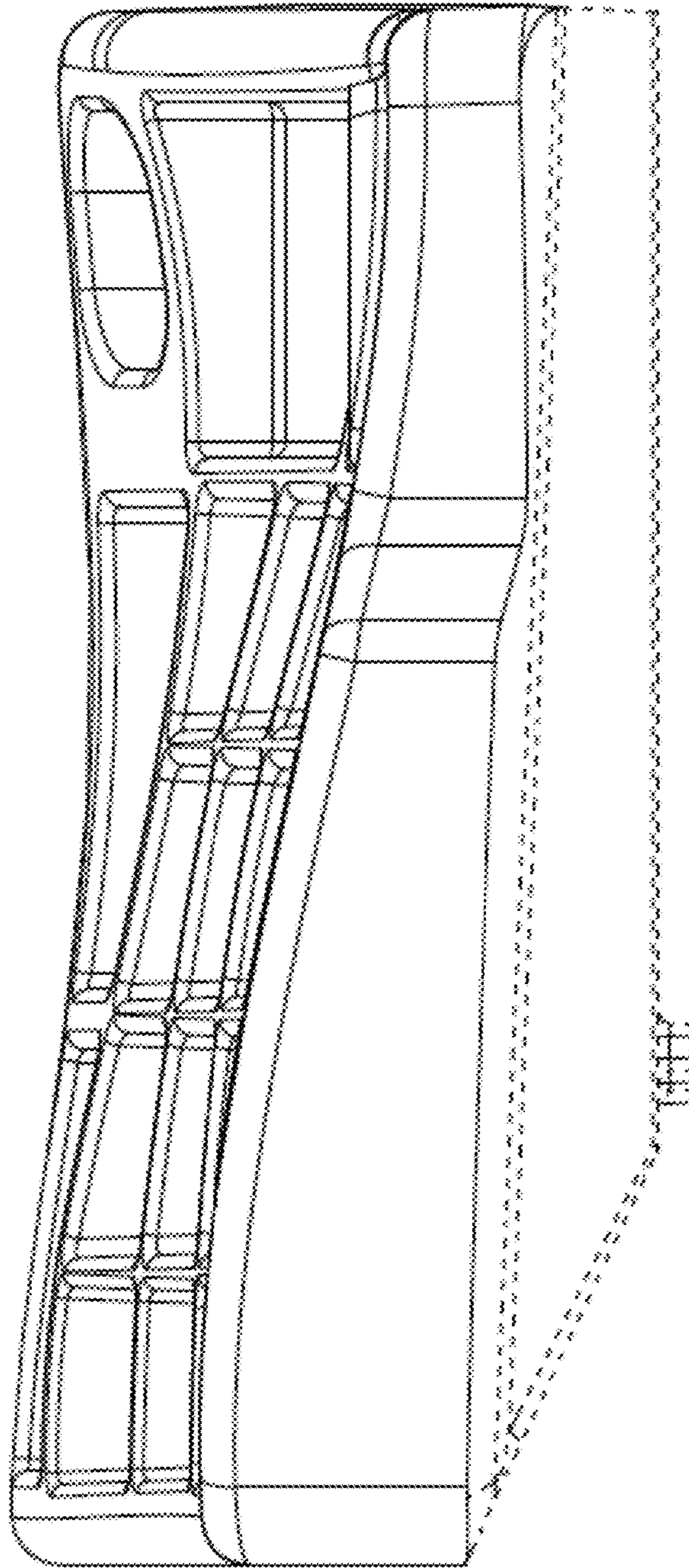


**FIGURE 3**

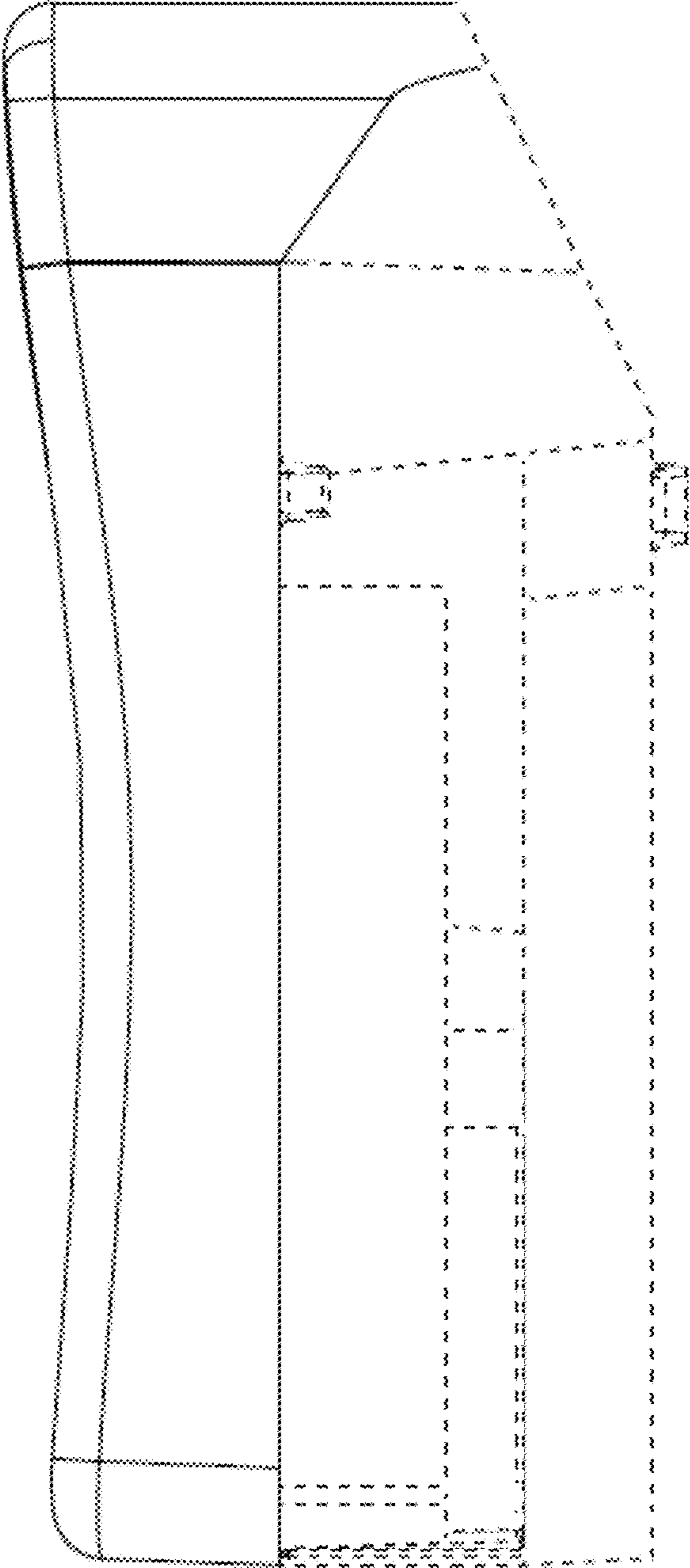




**FIGURE 4**



**FIGURE 5**



**FIGURE 6**



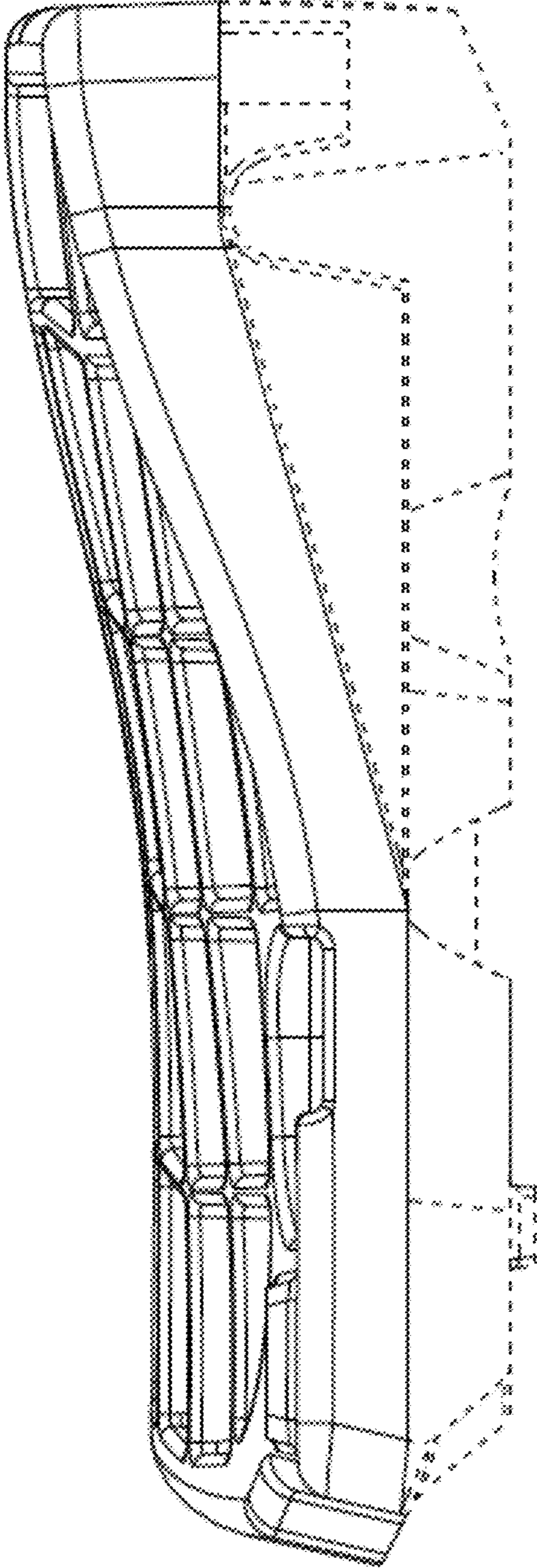
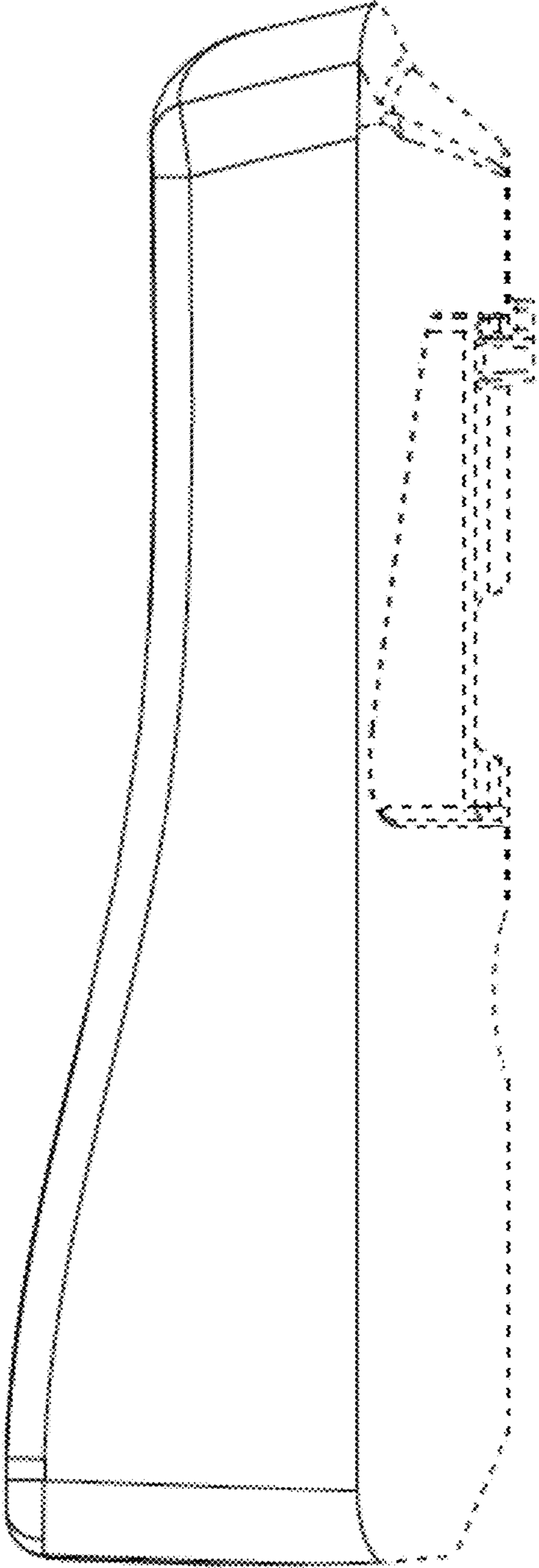
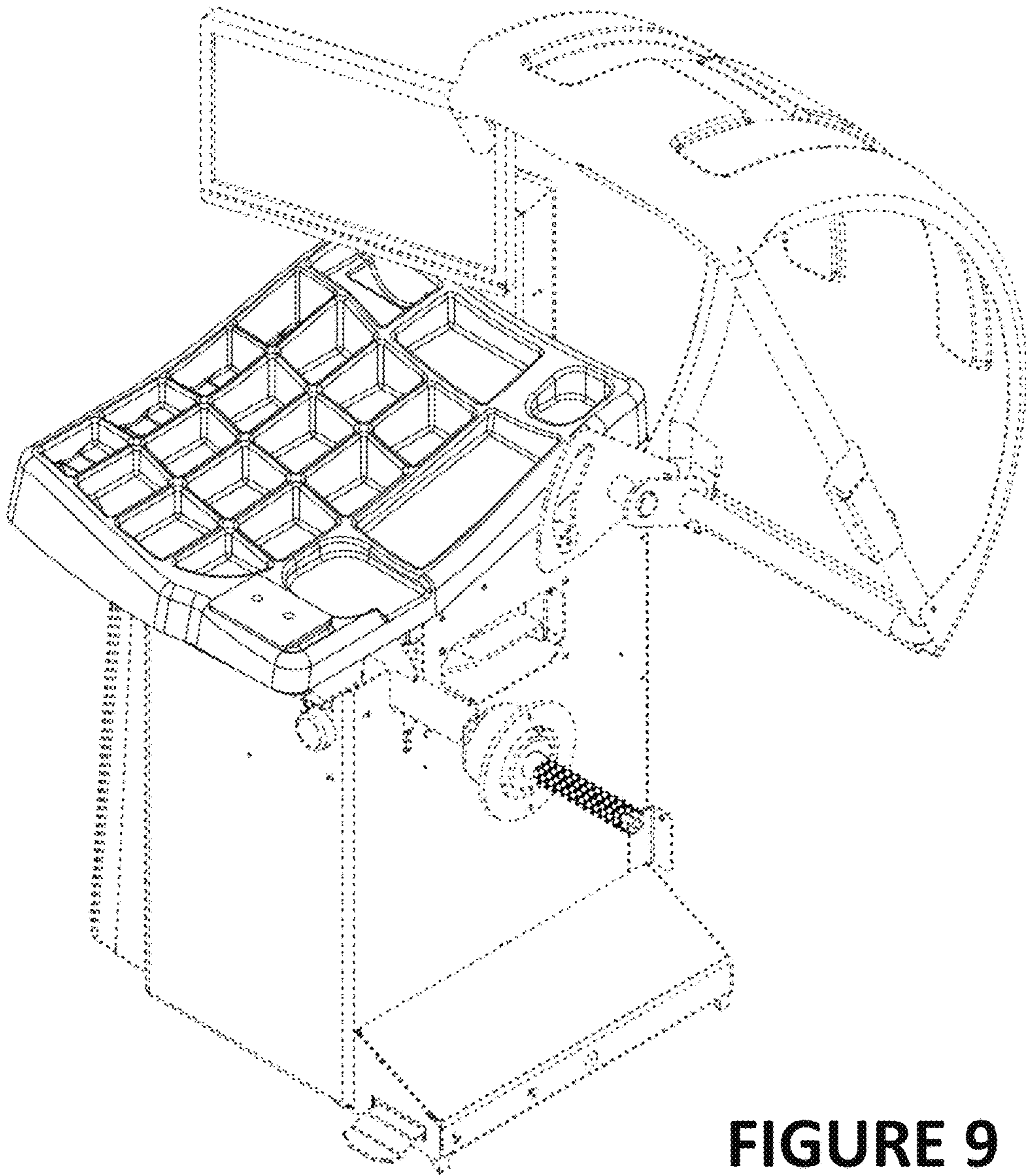


FIGURE 7



**FIGURE 8**



**FIGURE 9**