



US00D838196S

(12) **United States Design Patent**  
**Yang**

(10) **Patent No.:** **US D838,196 S**  
(45) **Date of Patent:** **\*\* Jan. 15, 2019**

(54) **TEST PENCIL**  
(71) Applicant: **ShenZhen Huayi Peakmeter Technology Co., LTD**, Shenzhen (CN)  
(72) Inventor: **Xiaofeng Yang**, Shenzhen (CN)  
(73) Assignee: **ShenZhen Huayi Peakmeter Technology Co., LTD**, Shenzhen (CN)

6,377,054 B1 \* 4/2002 Beha ..... G01R 1/06788  
324/510  
D571,240 S \* 6/2008 Chun ..... D10/78  
D583,266 S \* 12/2008 Wong ..... D10/78  
D625,211 S \* 10/2010 Chun ..... D10/78  
D637,926 S \* 5/2011 Chun ..... D10/78  
D642,943 S \* 8/2011 Laurino ..... D10/78  
D661,605 S \* 6/2012 Laurino ..... D10/78

\* cited by examiner

(\*\*) Term: **15 Years**

*Primary Examiner* — Antoine Duval Davis

(21) Appl. No.: **29/614,938**

(74) *Attorney, Agent, or Firm* — Maier & Maier, PLLC

(22) Filed: **Aug. 24, 2017**

(57) **CLAIM**

(51) **LOC (11) Cl.** ..... **10-04**

The ornamental design for a test pencil, as shown and described.

(52) **U.S. Cl.**  
USPC ..... **D10/78**

(58) **Field of Classification Search**  
USPC ..... D10/78  
CPC ..... G01R 1/06; G01R 1/067; G01R 1/06772;  
G01R 1/06777; G01R 1/06783; G01R  
1/06788; G01R 29/0878  
See application file for complete search history.

**DESCRIPTION**

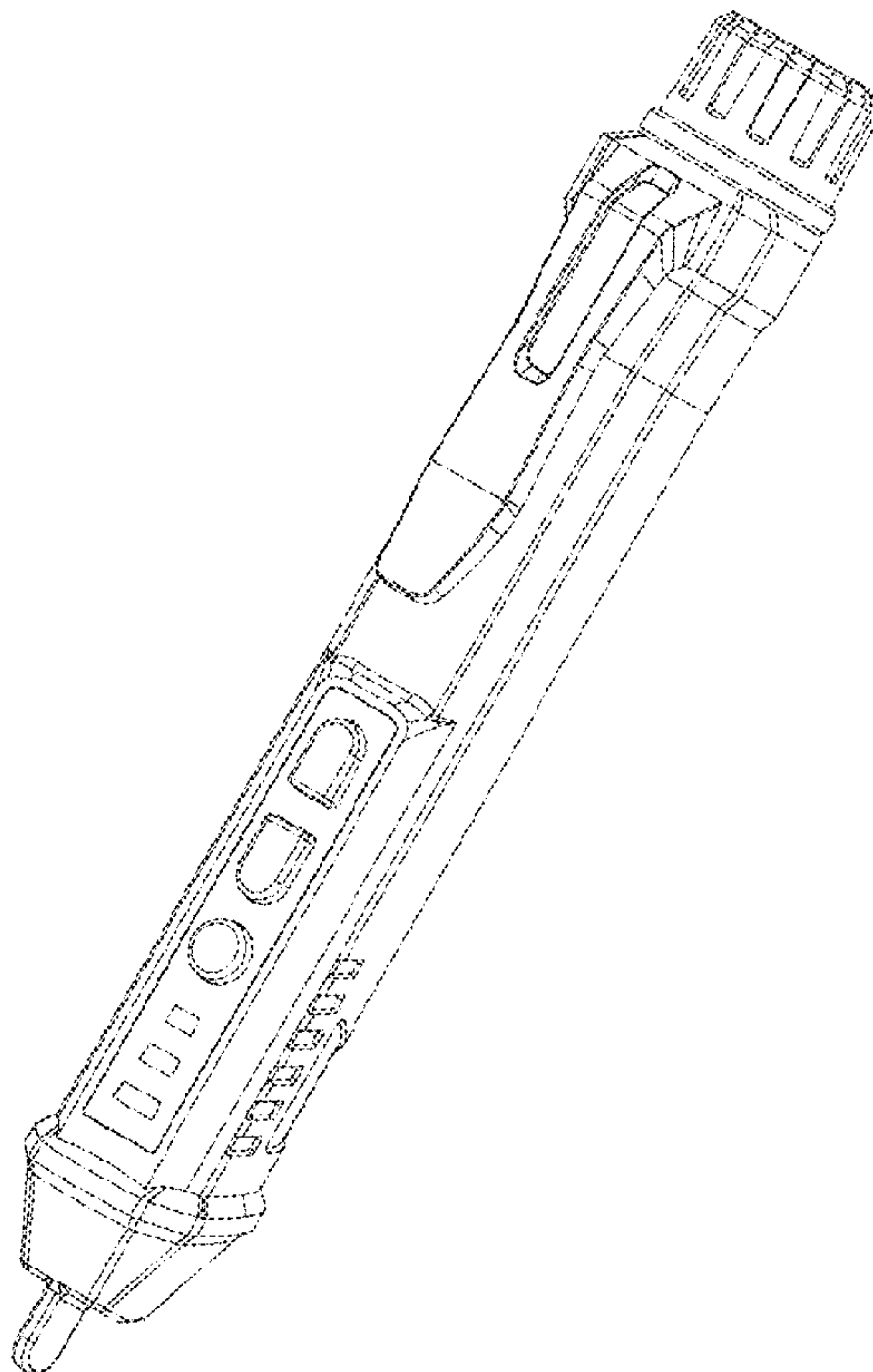
FIG. 1 is a perspective view of a test pencil showing my new design;  
FIG. 2 is a front view thereof;  
FIG. 3 is a rear view thereof;  
FIG. 4 is a left side view thereof;  
FIG. 5 is a right side view thereof;  
FIG. 6 is a top view thereof; and,  
FIG. 7 is a bottom view thereof.

(56) **References Cited**

**U.S. PATENT DOCUMENTS**

D383,988 S \* 9/1997 Luebke ..... D10/78  
D410,203 S \* 5/1999 Beha ..... D10/78

**1 Claim, 7 Drawing Sheets**



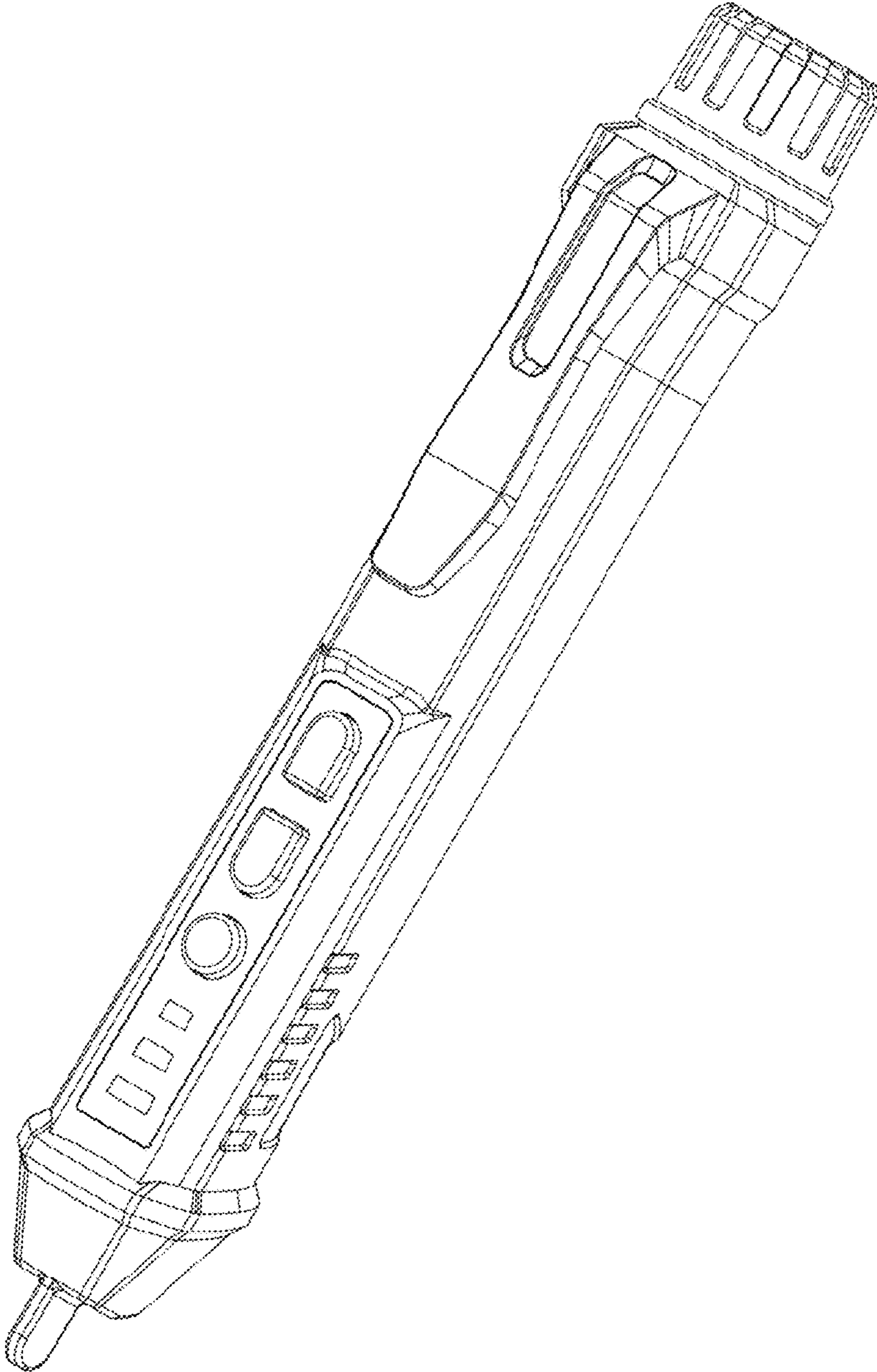


Figure 1

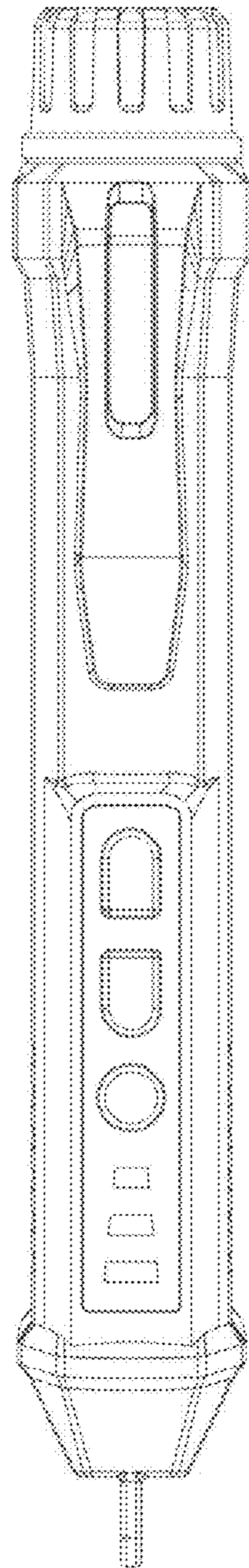


Figure 2

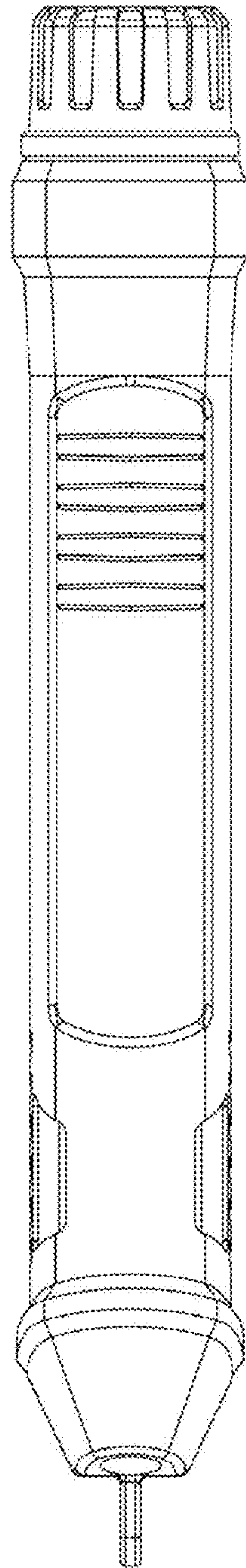


Figure 3

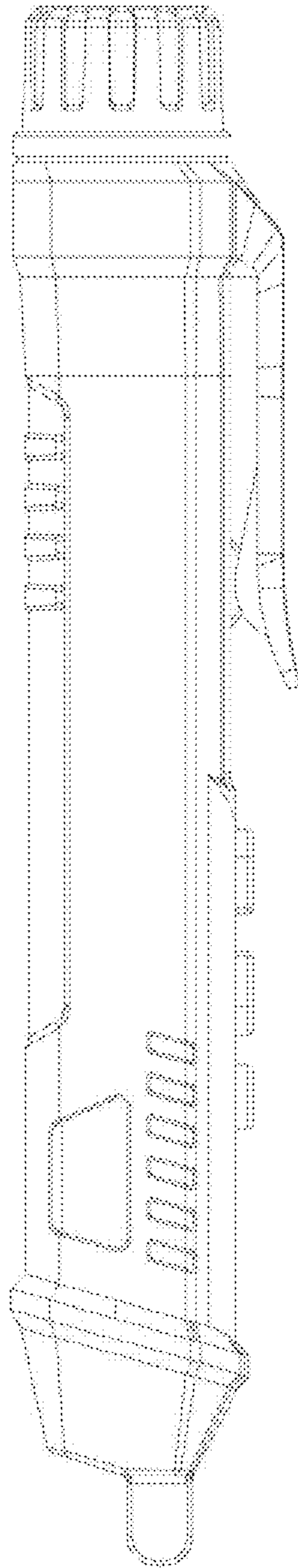


Figure 4



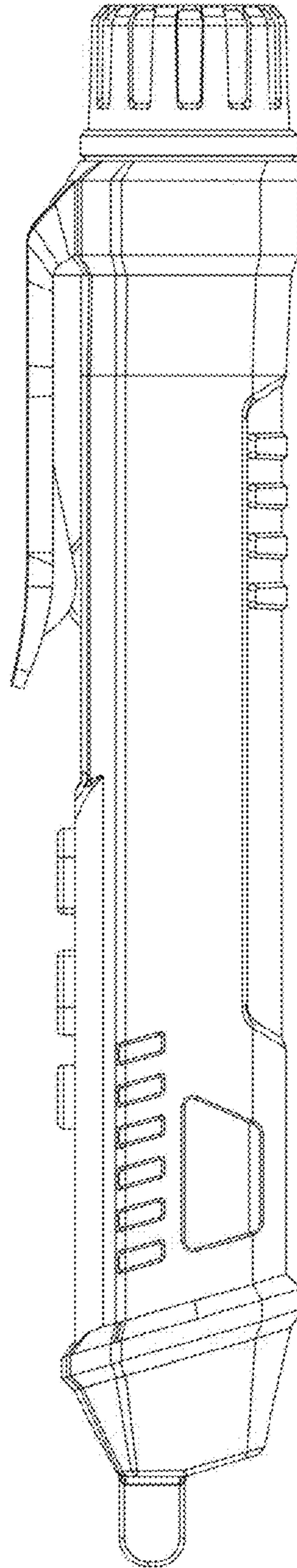


Figure 5

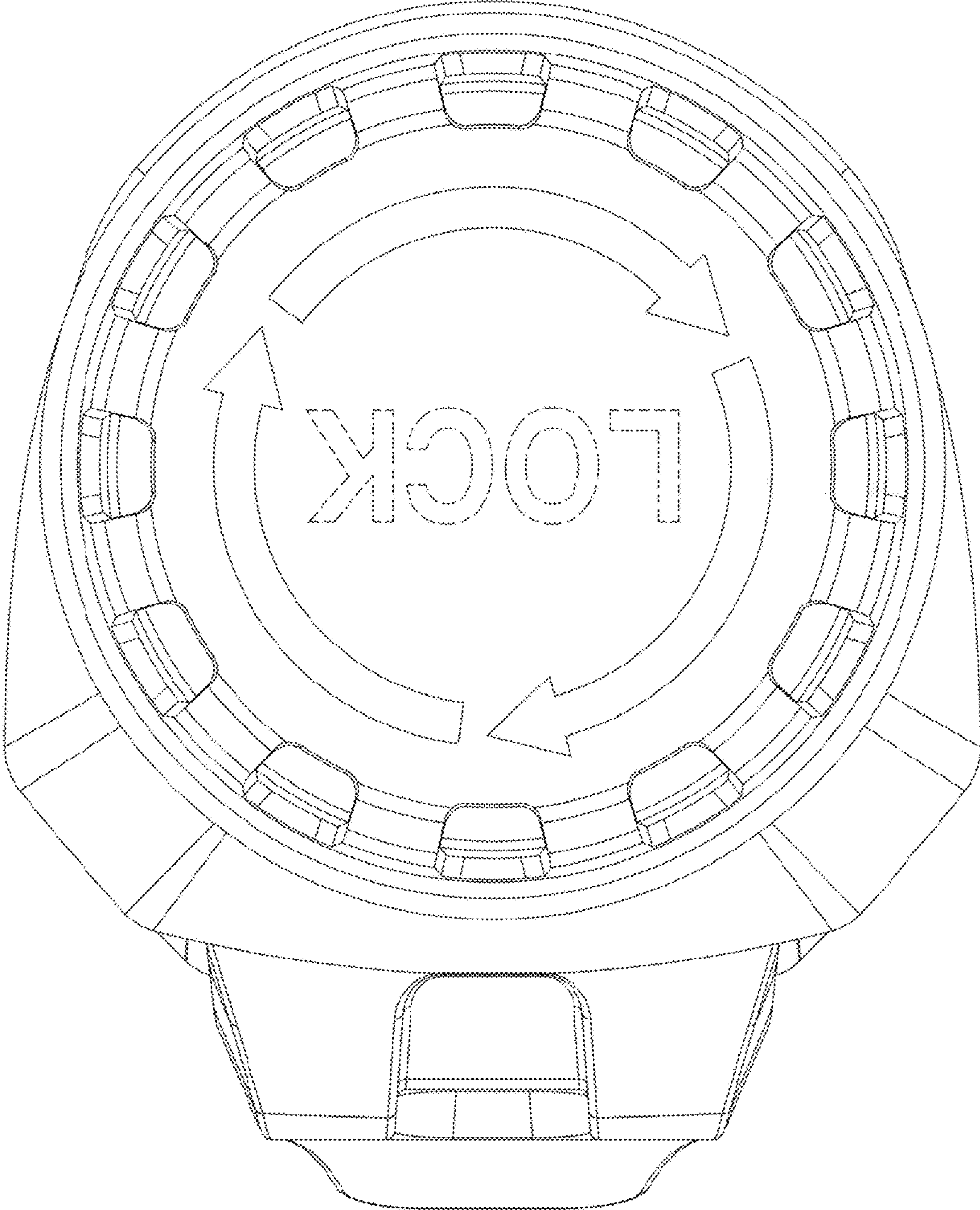


Figure 6

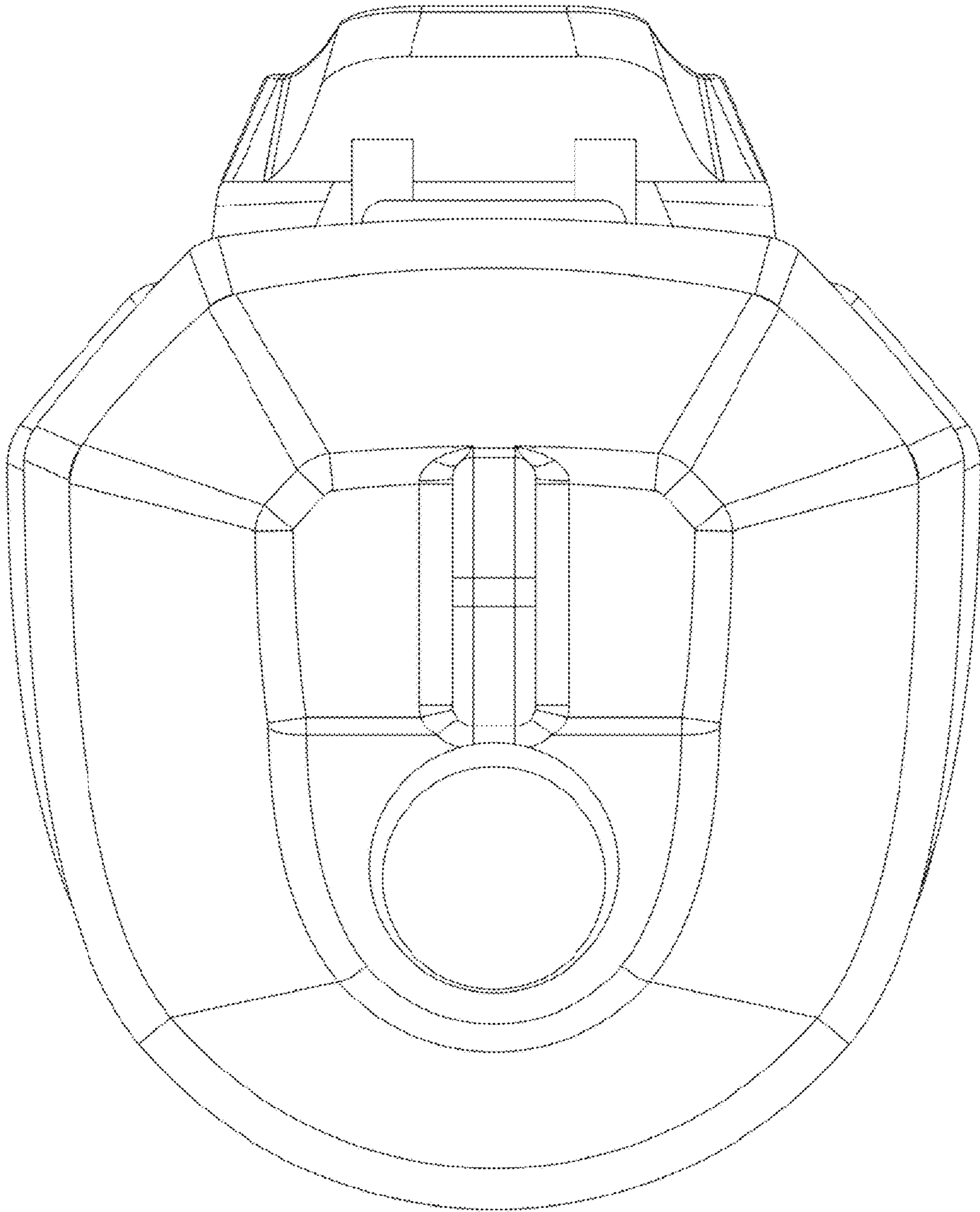


Figure 7