



US00D838194S

(12) **United States Design Patent**
Mays

(10) **Patent No.:** **US D838,194 S**
(45) **Date of Patent:** **** Jan. 15, 2019**

(54) **TRACKING BRACELET WITH FITNESS MONITORING, AUDIO RECEIVER, AND GPS RECEIVER**

(71) Applicant: **Ardelia Mays**, Stockbridge, GA (US)

(72) Inventor: **Ardelia Mays**, Stockbridge, GA (US)

(**) Term: **15 Years**

(21) Appl. No.: **29/615,006**

(22) Filed: **Aug. 24, 2017**

(51) **LOC (11) Cl.** **10-04**

(52) **U.S. Cl.**
USPC **D10/70**; D10/78; D10/97; D10/98;
D10/38; D14/341; D14/344; D24/167; D24/186

(58) **Field of Classification Search**
USPC D10/38, 39, 70, 78, 97, 98; D11/3;
D14/203.3, 203.5, 341, 344; D24/167,
D24/168, 186

CPC A41D 1/02; A44C 5/0015; A44C 5/02;
A44C 5/14; A61B 19/44; A61B
2019/446; A61B 71/00; A61B 5/02416;
A61B 5/1118; A61B 2/721; A61B 5/002;
A61B 5/112; A61B 5/1122; A61B 5/746;
A61B 5/6823; A61B 5/72; A61B 5/7445;
A61B 5/0022; A61B 5/14532; A61B
5/681; A61B 5/6824; A61B 5/6825; A61B
5/6826; A63B 71/06; A63B 26/00; A63B
24/0075; A63B 2071/0663; A63B
71/0686; A63B 24/0062; A63B 24/0084;
A63B 2024/0068; A63B 2024/0078;
A63B 2024/0056; A63B 2071/0625;
A63B 2071/003; A63B 2071/063; A63B
2071/065; A63B 2071/068; A63B
2071/0675; A63B 2225/50; A63B
2225/02; A63B 2225/06; A63B 2230/75;
A63B 2024/0065; A63B 2024/0081;
A63B 2220/51; A63B 2220/62; A63B
2220/803; A63B 2220/836; A63B
24/00–2024/0096; A63B 2213/00; A63B
69/0028; A63B 2071/0658–2071/0666;
A63B 2220/00–2220/89; G09F 3/005;

G06F 1/163; G06F 3/038; G06F 3/03547;
G06F 19/3481; G06F 3/00; G06F 3/027;
G04G 17/00; G04G 17/08; G04G 17/04;
G04G 21/02; G04G 21/00; G04G 21/08;
G04B 37/1486; G04B 19/00–19/34;
G04B 21/12; G04B 23/12; G04B
37/00–37/228; G04B 47/00–47/068;
G06Q 10/00; G06Q 50/00; G09B 9/00;
G09B 19/00; G04F 10/00; G01C 17/00;
G01C 21/00–21/3697; G01C
22/00–22/025; G01C 23/00–23/005;
G01C 21/16; G01P

(Continued)

(56) **References Cited**

U.S. PATENT DOCUMENTS

D711,002 S * 8/2014 Ohnemus D24/186
D715,668 S * 10/2014 Roush D10/70
(Continued)

Primary Examiner — Antoine Duval Davis
(74) *Attorney, Agent, or Firm* — Crose Law LLC;
Bradley D. Crose

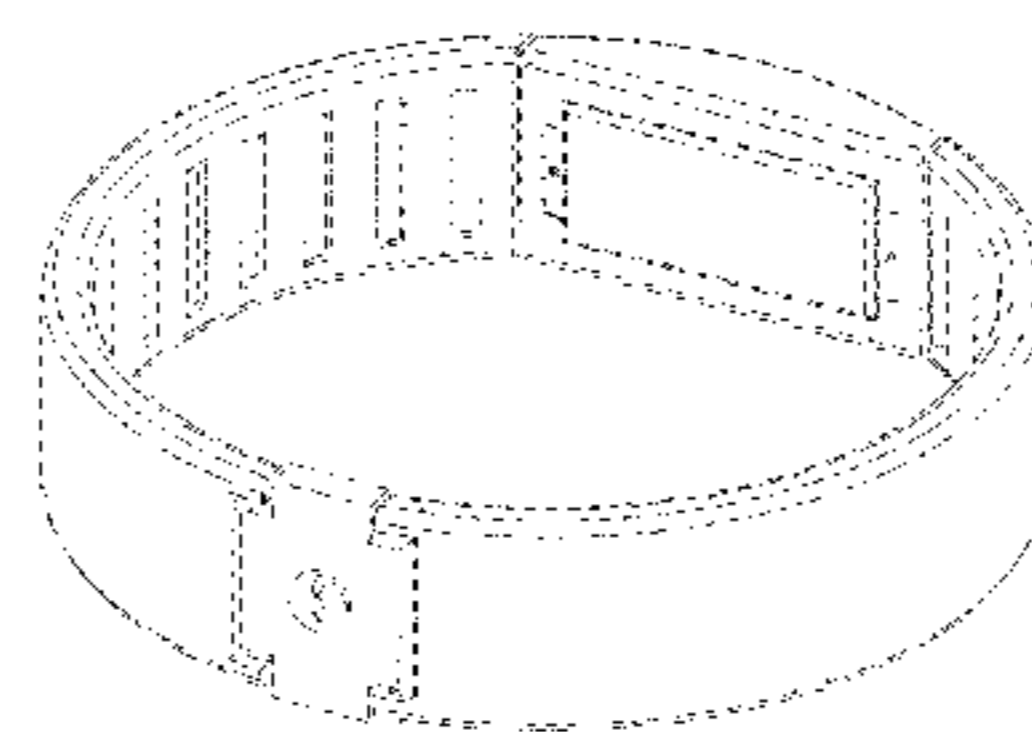
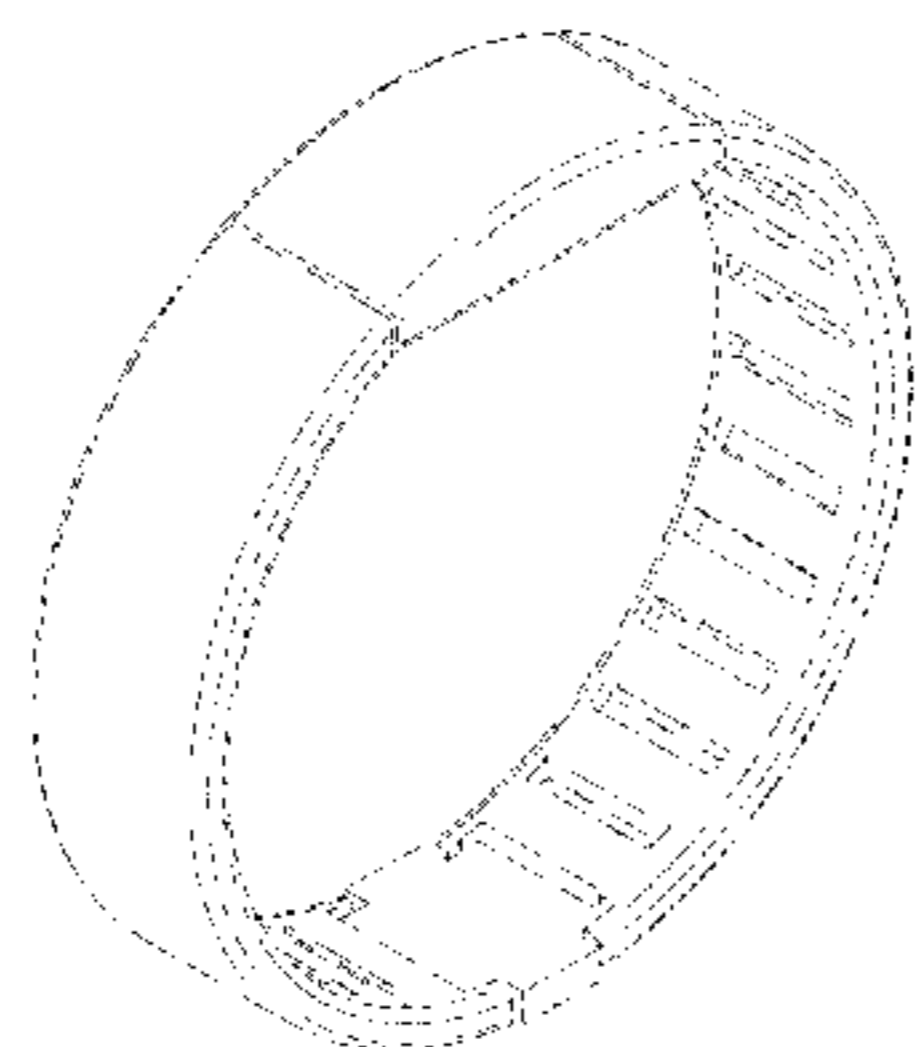
(57) **CLAIM**

The ornamental design for a tracking bracelet with fitness monitoring, audio receiver, and GPS receiver, as shown and described.

DESCRIPTION

FIG. 1 is a front perspective view of a tracking bracelet, showing my new design;
FIG. 2 is a front plan view thereof;
FIG. 3 is a rear plan view thereof;
FIG. 4 is a left plan view thereof;
FIG. 5 is a right plan view thereof;
FIG. 6 is a top view thereof;
FIG. 7 is a bottom perspective view thereof;
FIG. 8 is an expanded view thereof; and,
FIG. 9 is an expanded view thereof.

1 Claim, 9 Drawing Sheets



- (58) **Field of Classification Search**
CPC ... 1/00–1/26; G01P 15/00–15/18; A63C 11/02
See application file for complete search history.

(56) **References Cited**

U.S. PATENT DOCUMENTS

D720,248	S	*	12/2014	Law	D11/3
D724,453	S	*	3/2015	Ogihara	D10/70
D725,510	S	*	3/2015	Henning	D10/70
D737,699	S	*	9/2015	Chang	D10/39
D746,477	S	*	12/2015	Cha	D24/186
D747,714	S	*	1/2016	Erbeus	D10/32
D757,583	S	*	5/2016	Roush	D10/70
D759,622	S	*	6/2016	Dahlberg	D10/32
D768,858	S	*	10/2016	Komulainen	D24/167
D796,045	S	*	8/2017	Henning G06Q 30/0645	D14/344
D805,413	S	*	12/2017	Chen	D10/70
D808,962	S	*	1/2018	Wu	D14/344
D812,608	S	*	3/2018	Jones	D14/344
D817,784	S	*	5/2018	Swenson	D10/32
D824,899	S	*	8/2018	Yang	D14/344
D826,763	S	*	8/2018	Chuang	D11/3

* cited by examiner

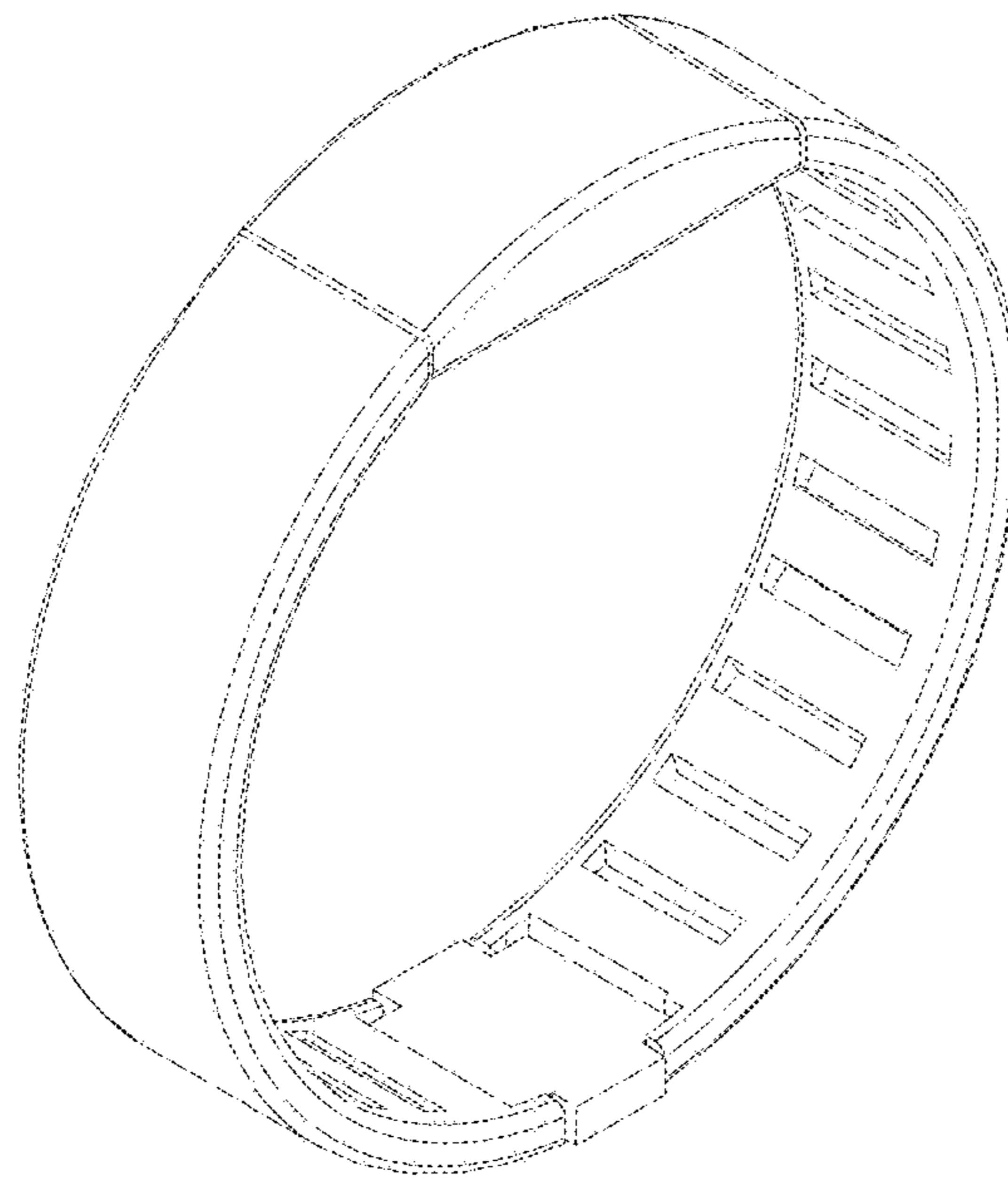


FIG. 1

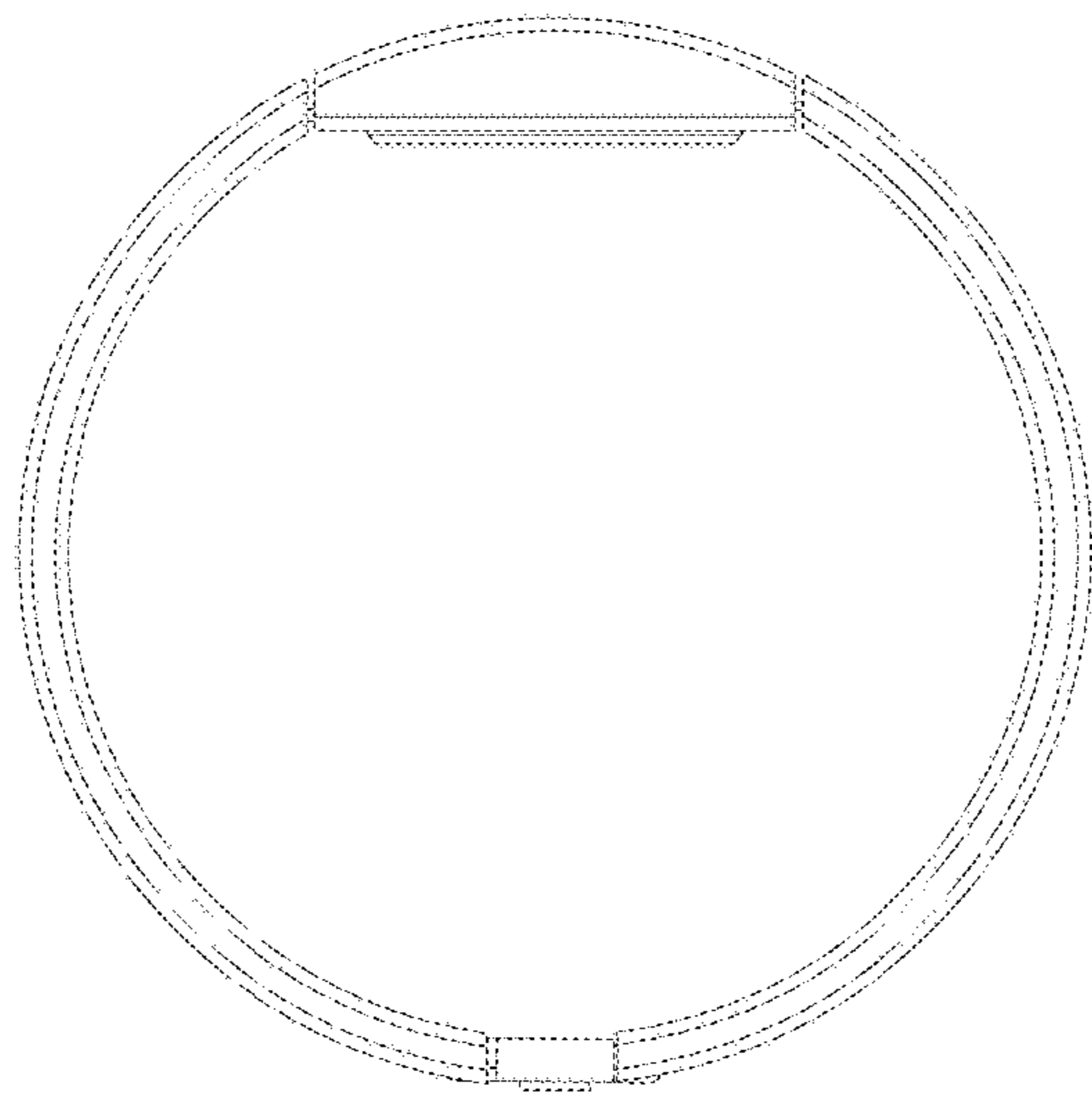


FIG. 2

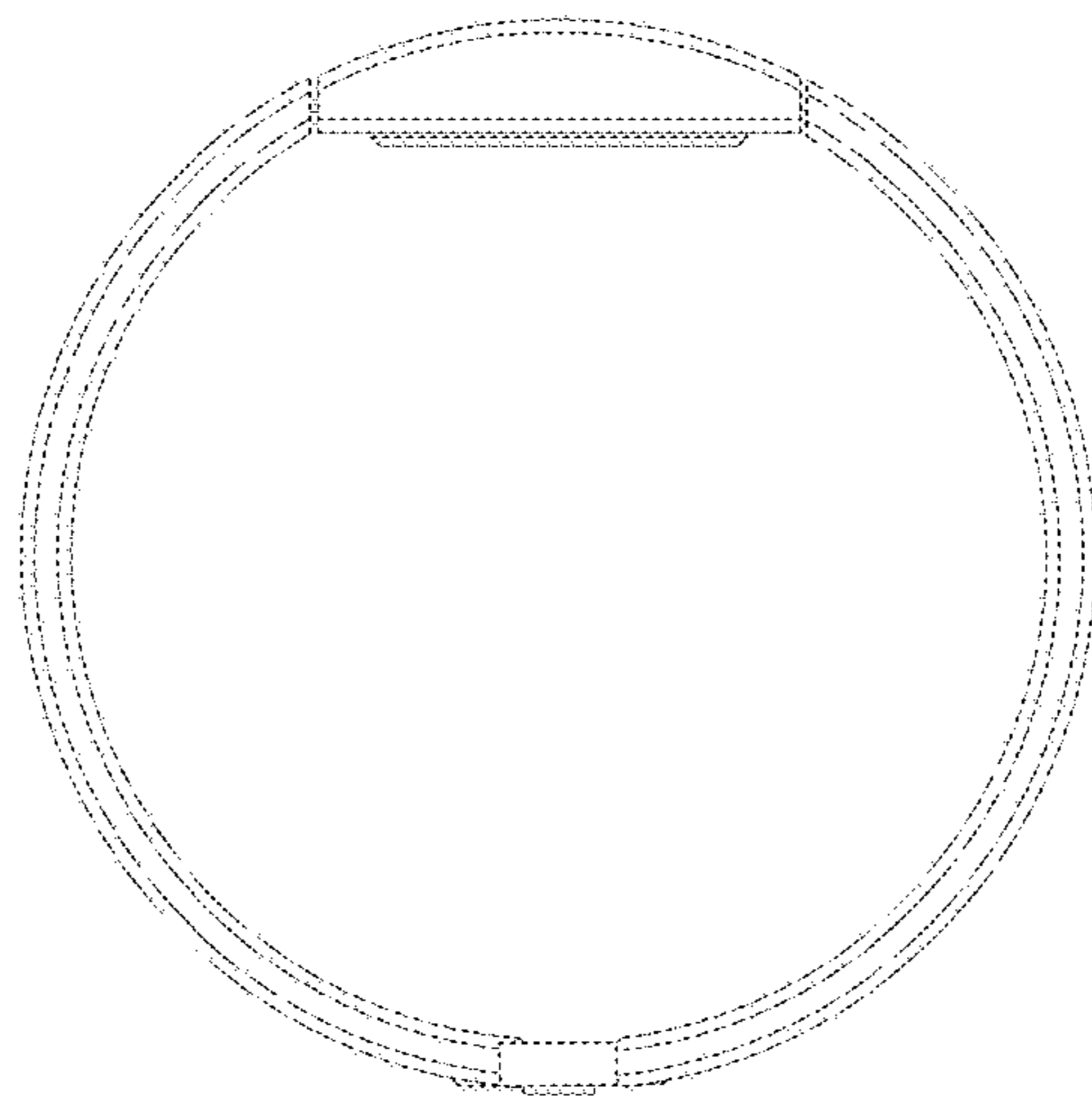


FIG. 3

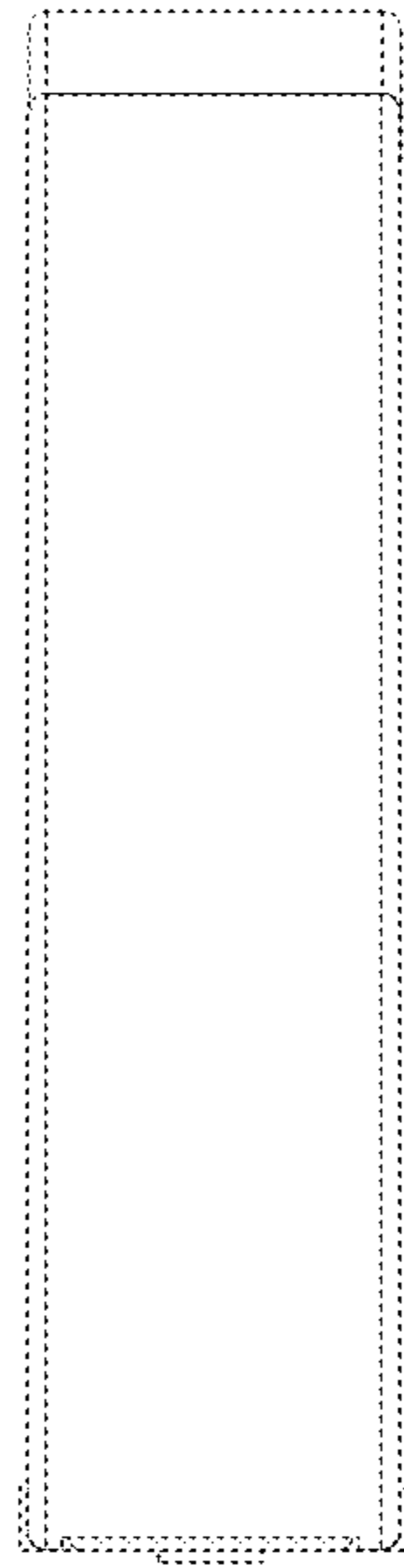


FIG. 4

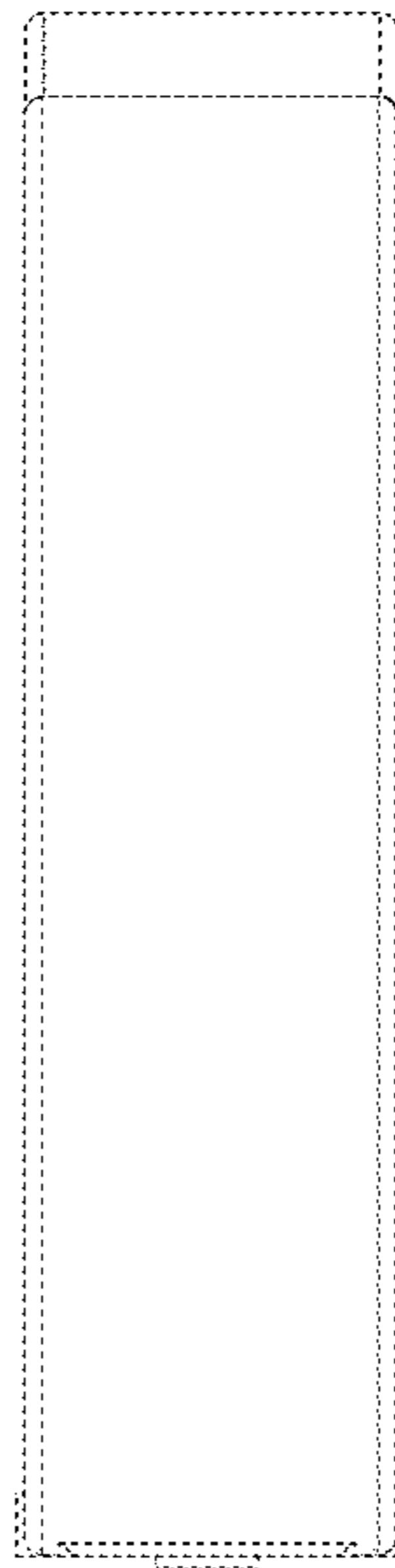


FIG. 5



FIG. 6

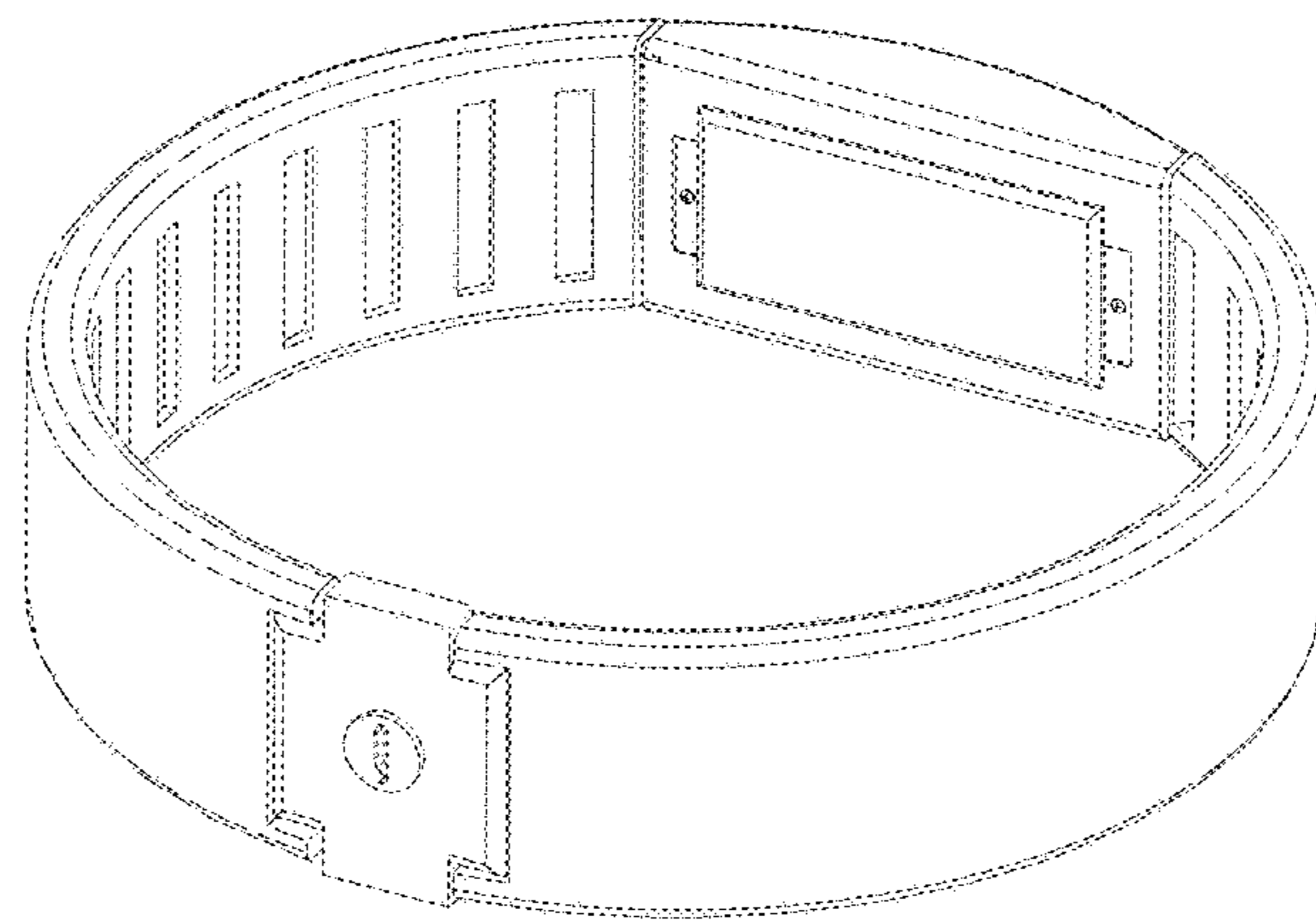


FIG. 7

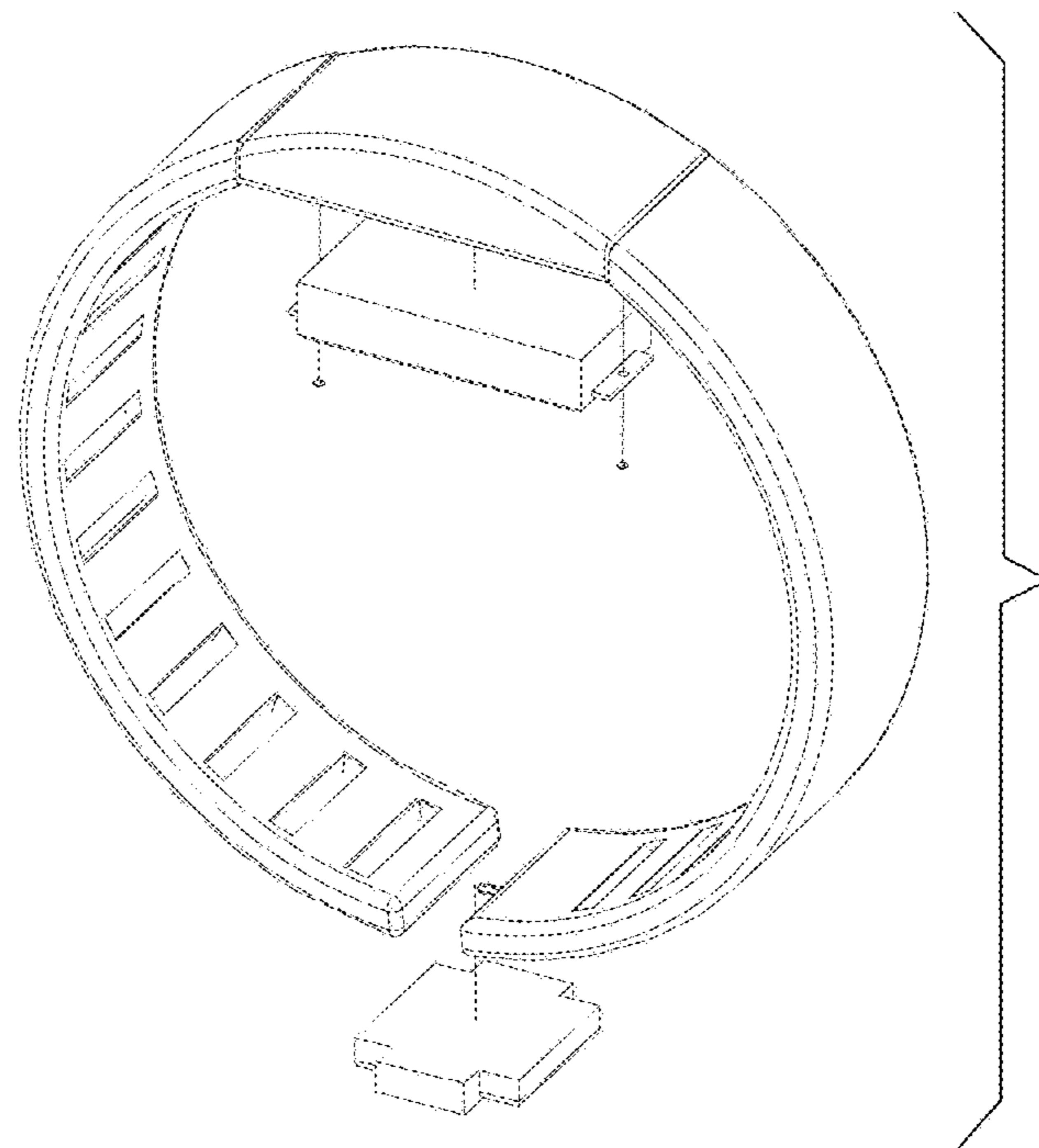


FIG. 8

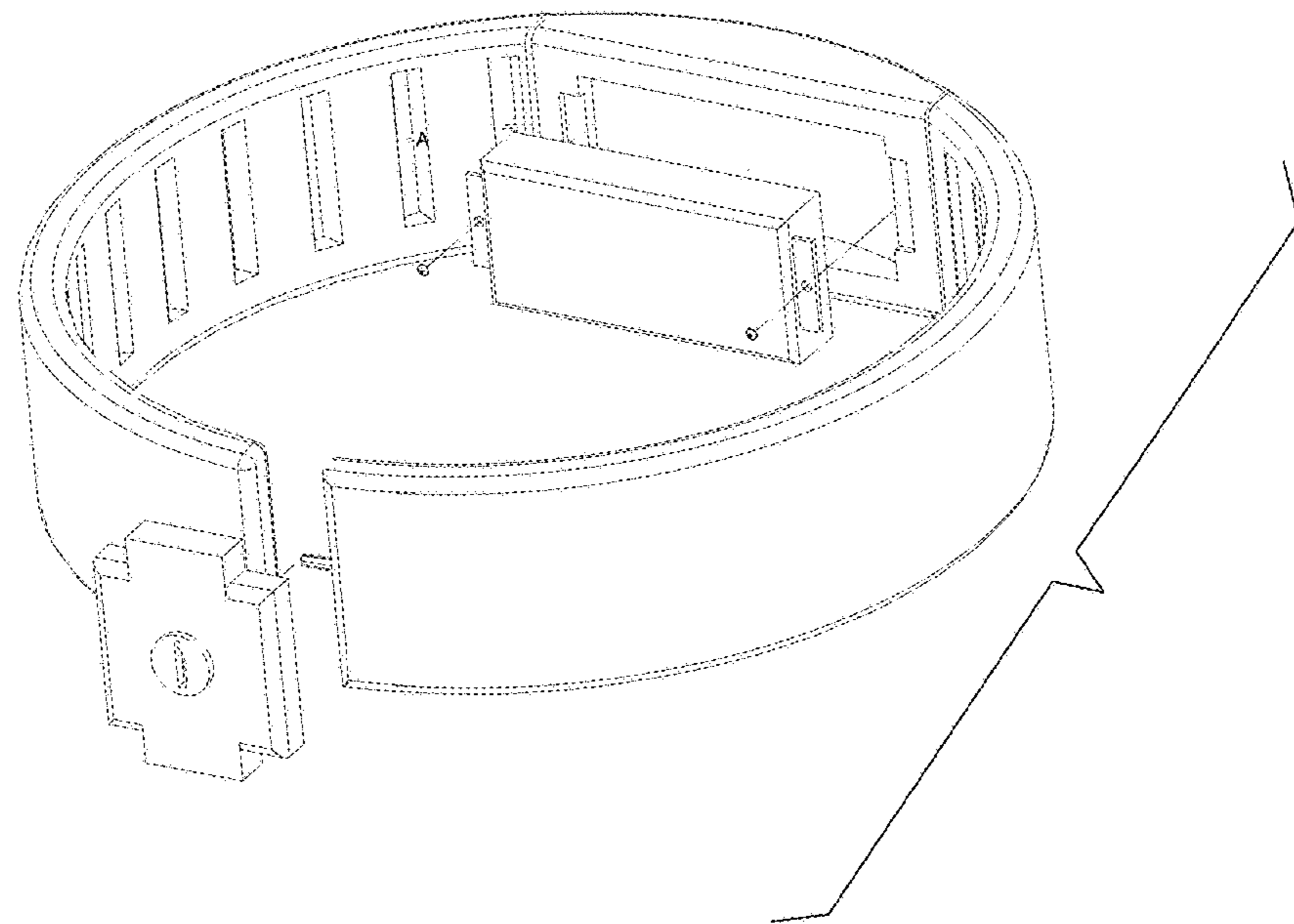


FIG. 9