



US00D838192S

(12) **United States Design Patent**
Yu

(10) **Patent No.:** **US D838,192 S**
(45) **Date of Patent:** **** Jan. 15, 2019**

- (54) **FOLDING THERMOMETER FOR BARBECUE GRILL**
- (71) Applicant: **FUZHOU ESUN ELECTRONIC CO., LTD**, Fujian (CN)
- (72) Inventor: **Guo Yu**, Fujian (CN)
- (73) Assignee: **FUZHOU ESUN ELECTRONIC CO., LTD**, Fujian (CN)
- (**) Term: **15 Years**
- (21) Appl. No.: **29/633,514**
- (22) Filed: **Jan. 15, 2018**
- (51) **LOC (11) Cl.** **10-04**
- (52) **U.S. Cl.**
USPC **D10/57**
- (58) **Field of Classification Search**
USPC D10/57, 58
CPC G01K 2207/02; G01K 2207/04; G01K 2207/06; G01K 2207/08
See application file for complete search history.

2001/0040911 A1* 11/2001 Rubenstein G01K 1/14
374/141

* cited by examiner

Primary Examiner — Antoine Duval Davis
(74) *Attorney, Agent, or Firm* — JCIPRNET

(57) **CLAIM**

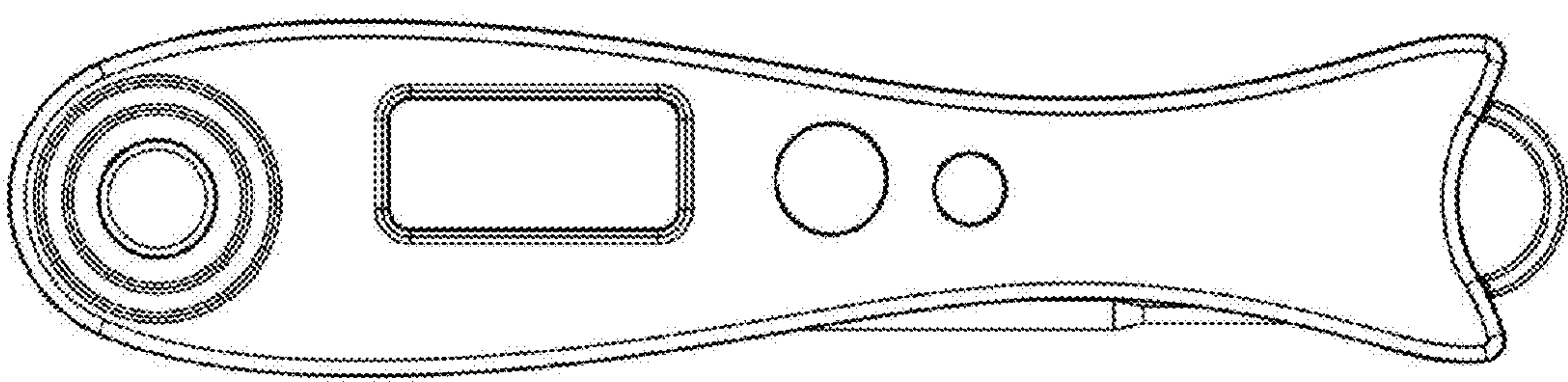
The ornamental design for a folding thermometer for barbecue grill, as shown and described.

DESCRIPTION

FIG. 1 is a front view of a folding thermometer for barbecue grill showing my new design;
FIG. 2 is a rear view thereof;
FIG. 3 is a left side view thereof;
FIG. 4 is a right side view thereof;
FIG. 5 is a top view thereof;
FIG. 6 is a bottom view thereof; and,
FIG. 7 is another front view thereof, showing the probe of the folding thermometer for barbecue grill being unfolded in a use state.

- (56) **References Cited**
U.S. PATENT DOCUMENTS
6,751,497 B2* 6/2004 Fraden G01J 5/04
374/E13.003
D700,077 S * 2/2014 Wurts D10/57
D700,078 S * 2/2014 Wurts D10/57

1 Claim, 6 Drawing Sheets



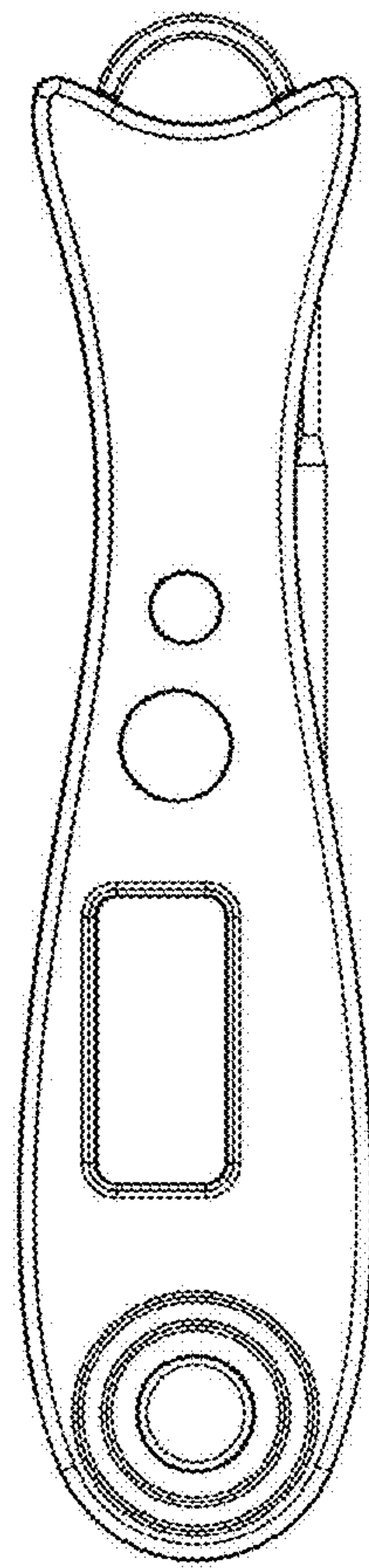


FIG. 1

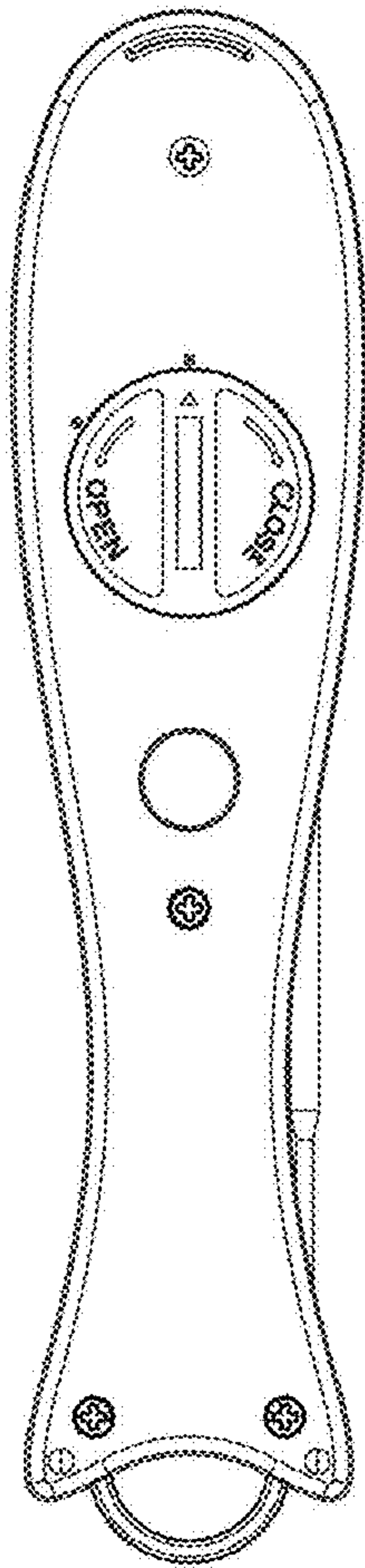


FIG. 2

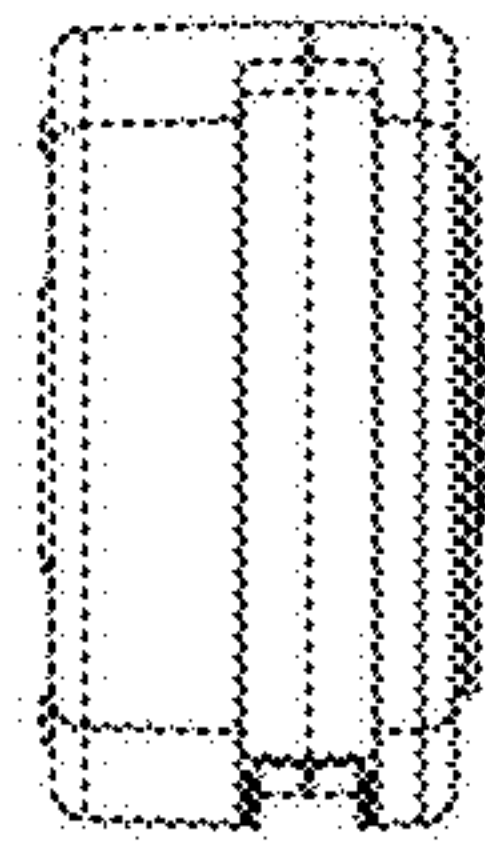


FIG. 3

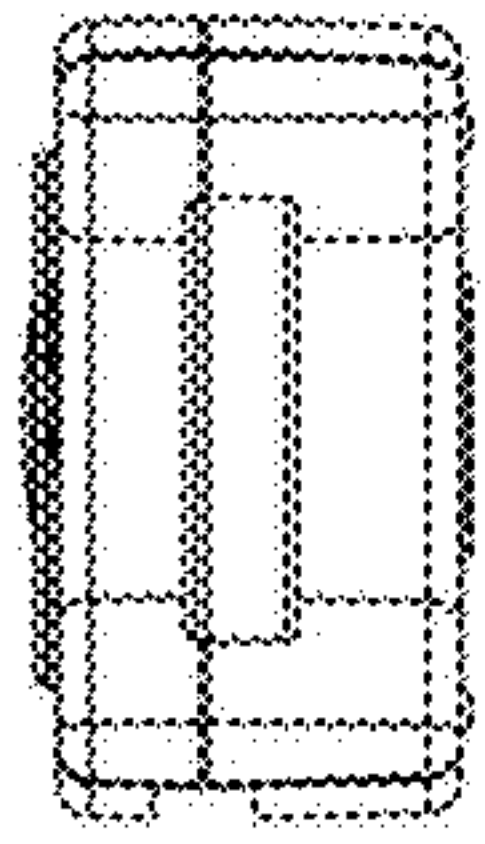


FIG. 4

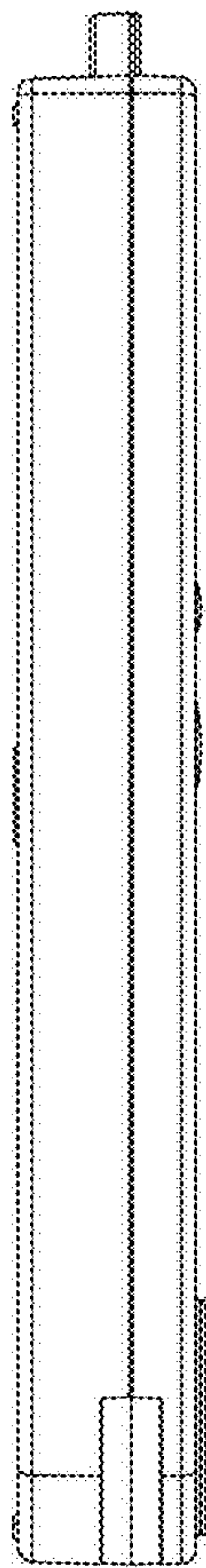


FIG. 5

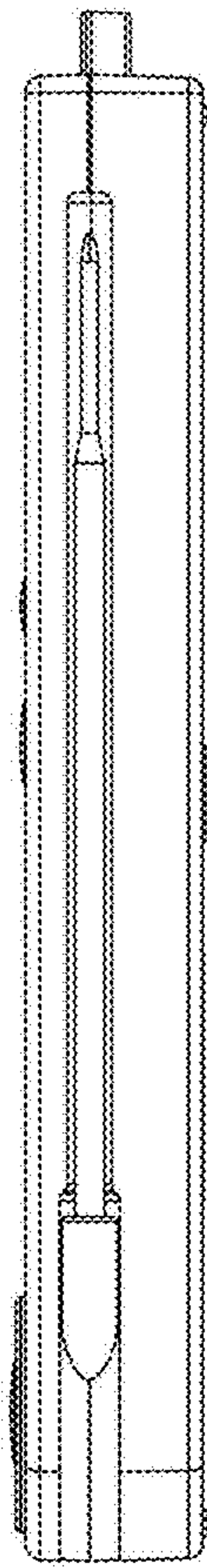


FIG. 6

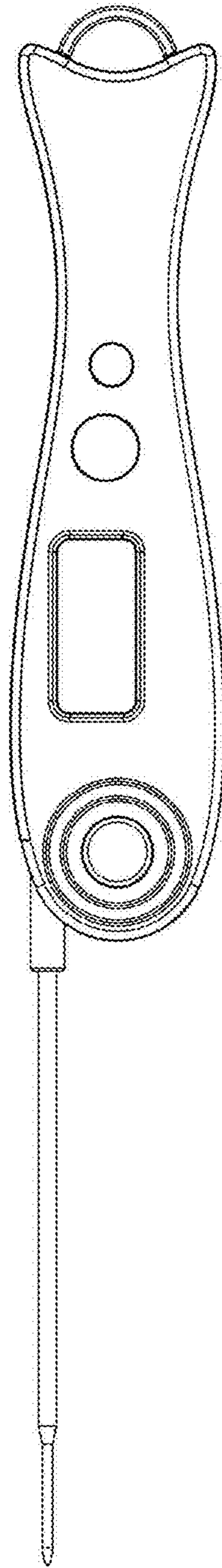


FIG. 7