



US00D838191S

(12) **United States Design Patent** (10) **Patent No.:** **US D838,191 S**  
**Yang** (45) **Date of Patent:** **\*\* Jan. 15, 2019**

(54) **INFRARED THERMOMETER**

(56) **References Cited**

(71) Applicant: **ShenZhen Huayi Peakmeter Technology Co., LTD**, Shenzhen (CN)

U.S. PATENT DOCUMENTS

(72) Inventor: **Xiaofeng Yang**, Shenzhen (CN)

D666,928 S \* 9/2012 Elrod ..... D10/57  
D668,561 S \* 10/2012 Dunkin ..... D10/57  
D791,624 S \* 7/2017 Wong ..... D10/57

(73) Assignee: **ShenZhen Huayi Peakmeter Technology Co., LTD**, Shenzhen (CN)

\* cited by examiner

(\*\*) Term: **15 Years**

*Primary Examiner* — Antoine Duval Davis

(21) Appl. No.: **29/614,932**

(74) *Attorney, Agent, or Firm* — Maier & Maier, PLLC

(22) Filed: **Aug. 24, 2017**

(57) **CLAIM**

(51) **LOC (11) Cl.** ..... **10-04**

The ornamental design for an infrared thermometer, as shown and described.

(52) **U.S. Cl.**

USPC ..... **D10/57**

**DESCRIPTION**

(58) **Field of Classification Search**

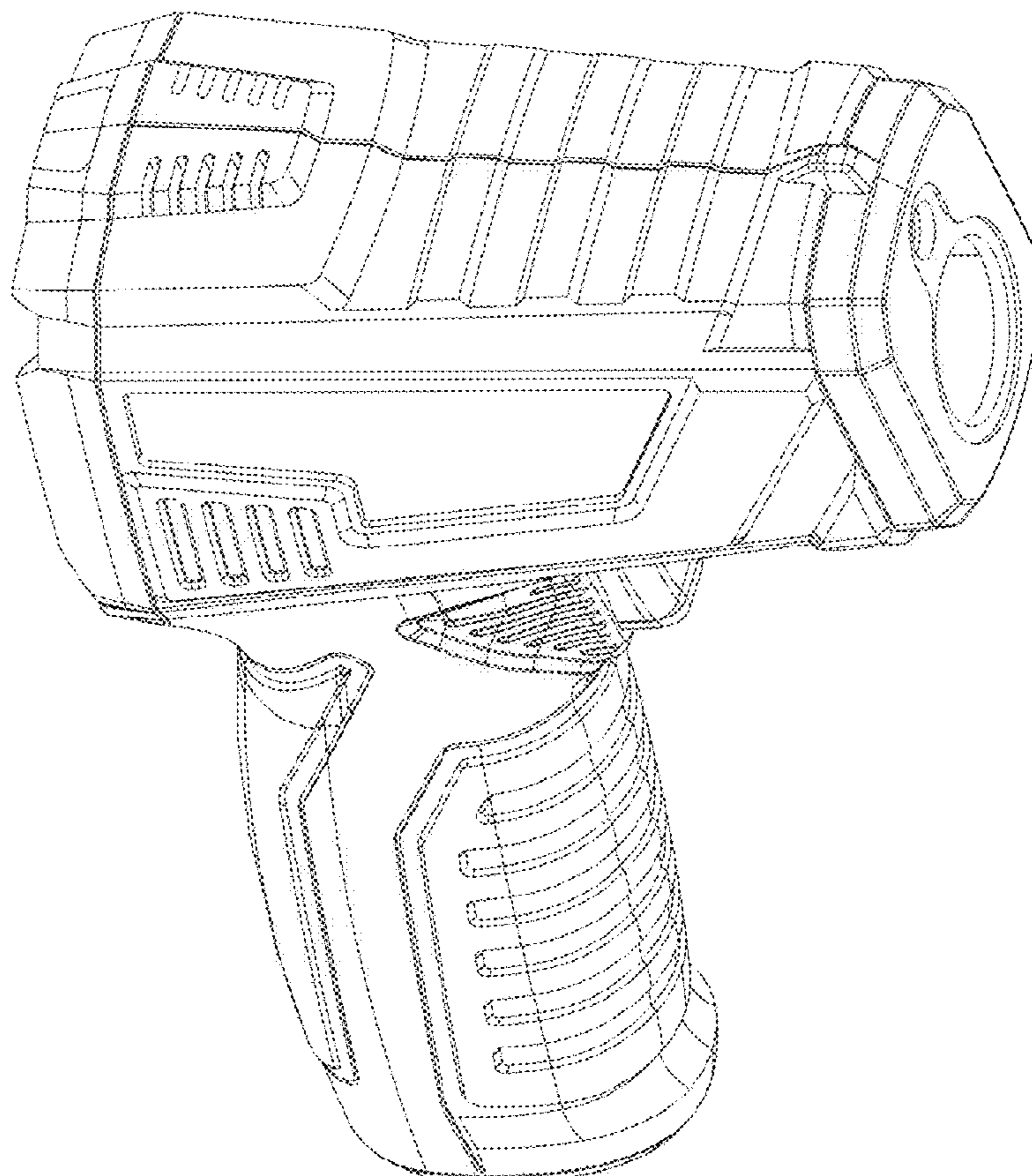
USPC ..... D10/57

CPC ..... G01K 1/02; G01K 1/022; G01K 1/024;  
G01K 1/08; G01K 1/083; G01K 1/086;  
G01K 3/00-3/14; G01K 2003/145; G01K  
13/002; G01K 13/004; G01K 2219/00;  
G01K 5/04-5/225; G01K 5/22; G01K  
221/00; G01J 5/04; G01J 5/041; G01J  
5/042; G01J 5/043; G01J 5/044; G01J  
5/045; G01J 5/046; G01J 5/047; G01J  
5/048; G01J 5/049

FIG. 1 is a perspective view of an infrared thermometer showing my new design;  
FIG. 2 is a front view thereof;  
FIG. 3 is a rear view thereof;  
FIG. 4 is a left side view thereof;  
FIG. 5 is a right side view thereof;  
FIG. 6 is a top view thereof; and,  
FIG. 7 is a bottom view thereof.

See application file for complete search history.

**1 Claim, 7 Drawing Sheets**



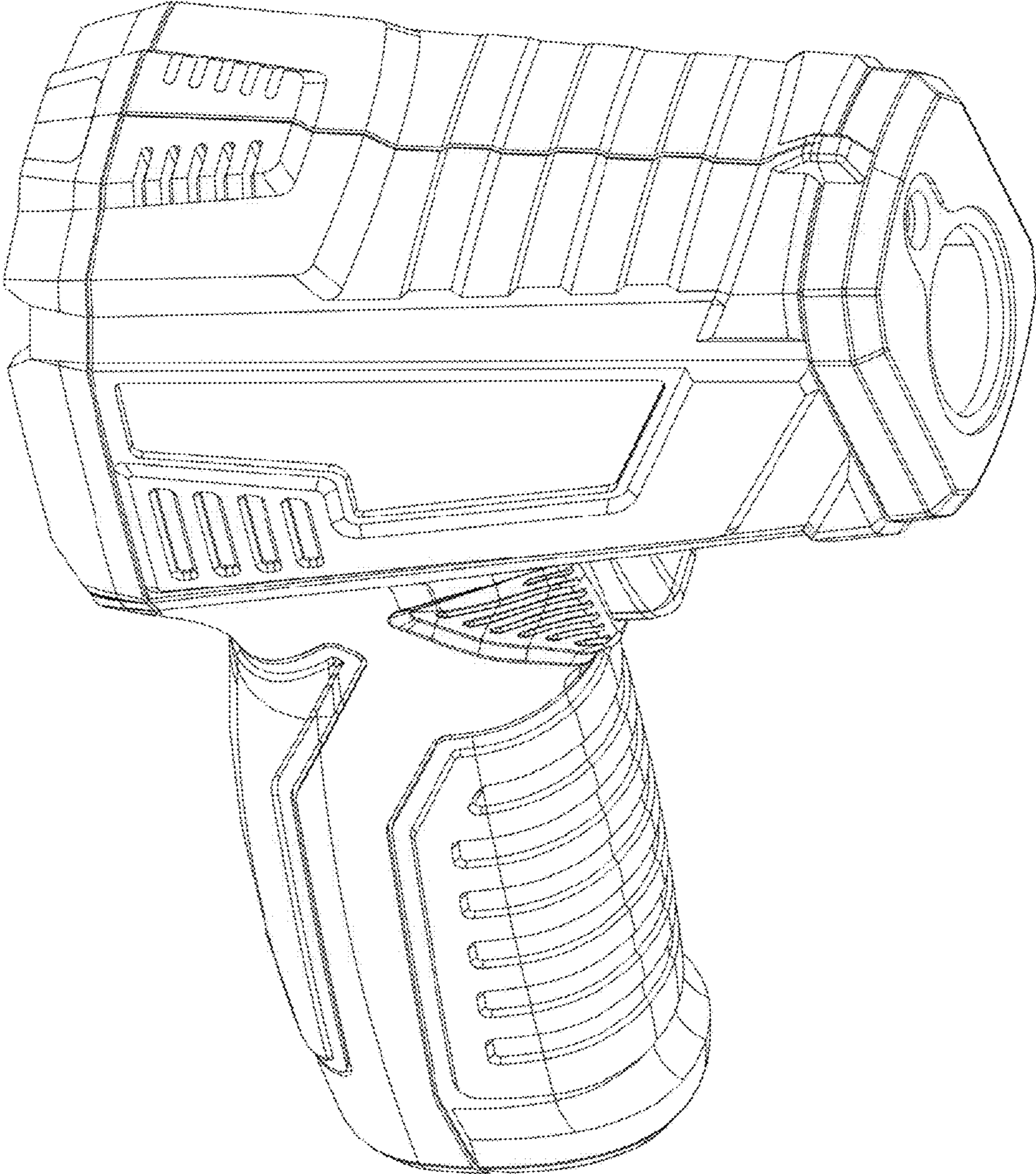


Figure 1

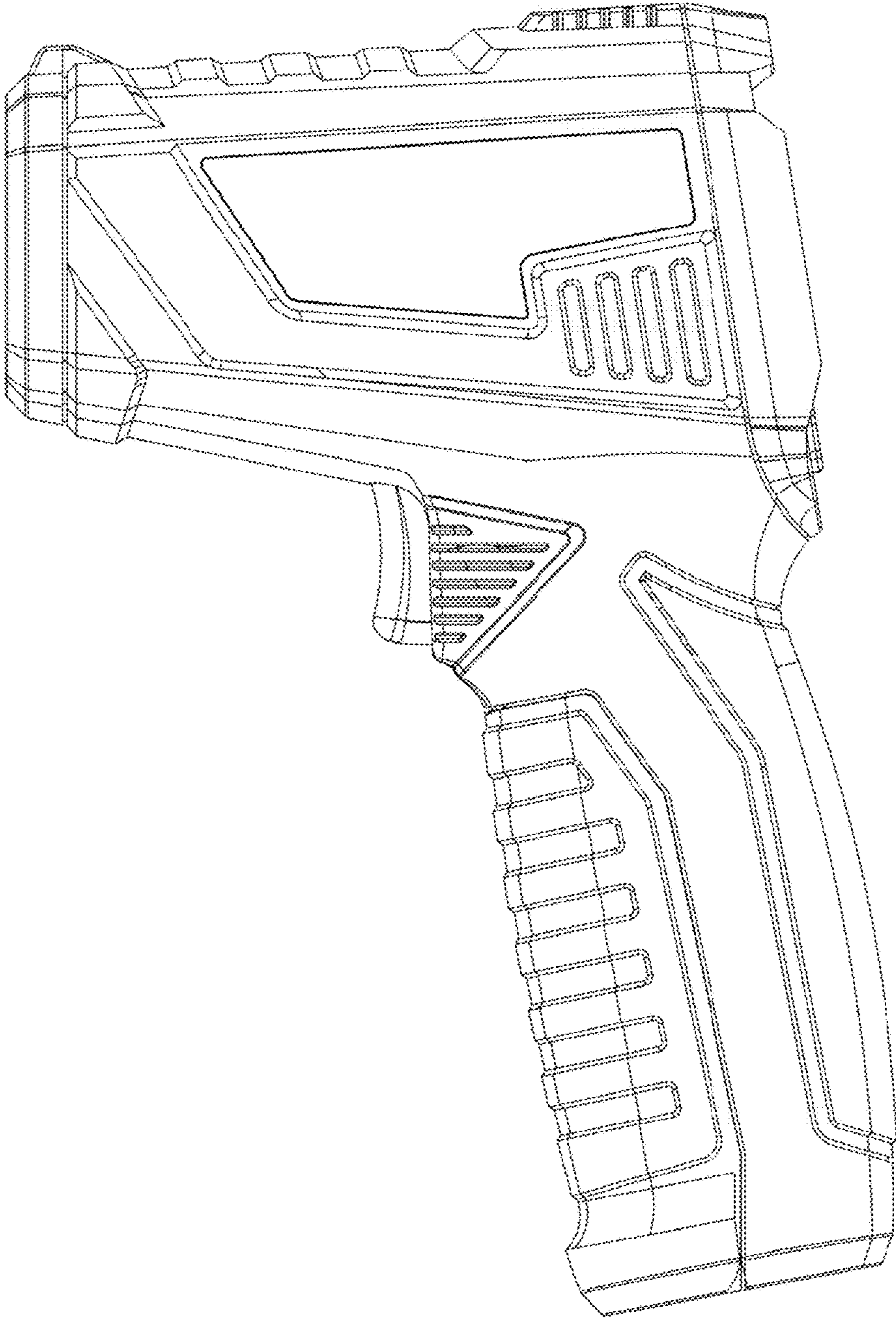


Figure 2

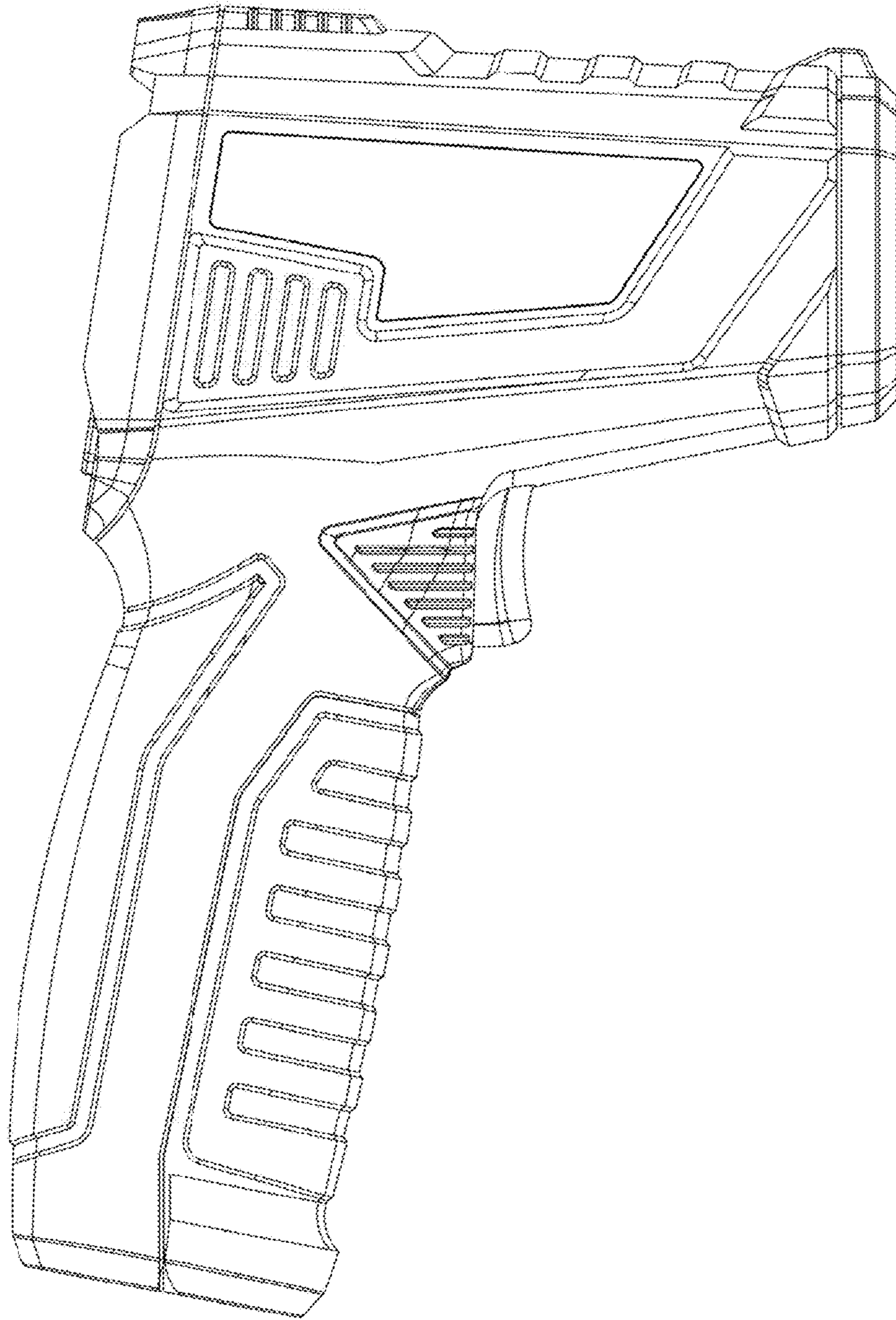


Figure 3

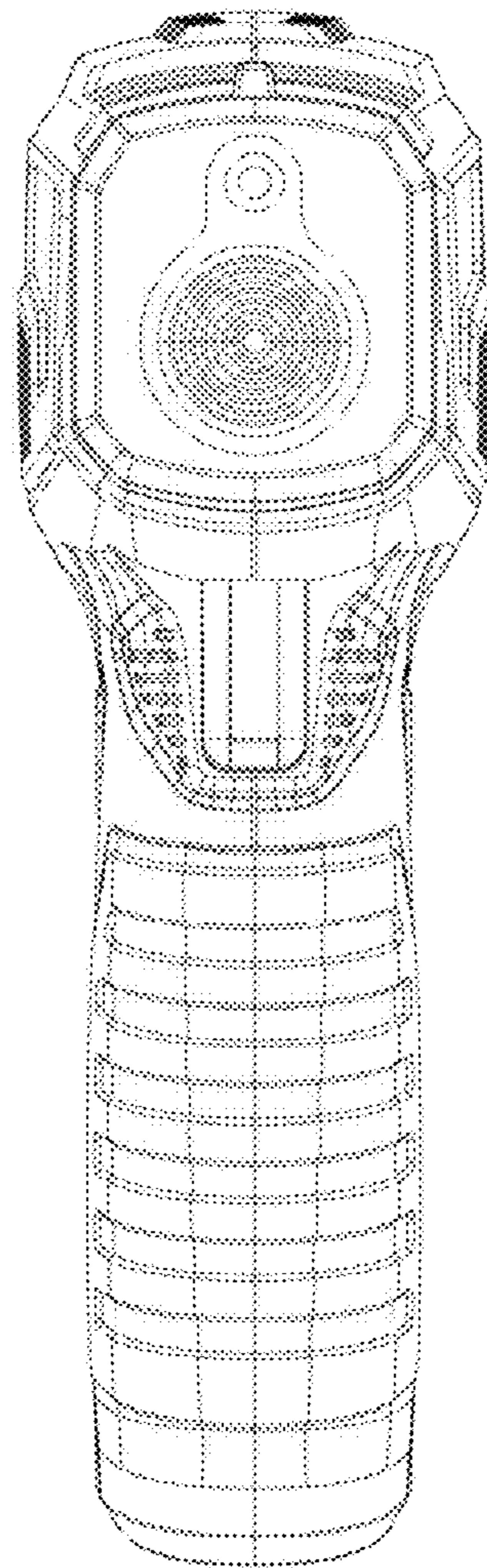


Figure 4

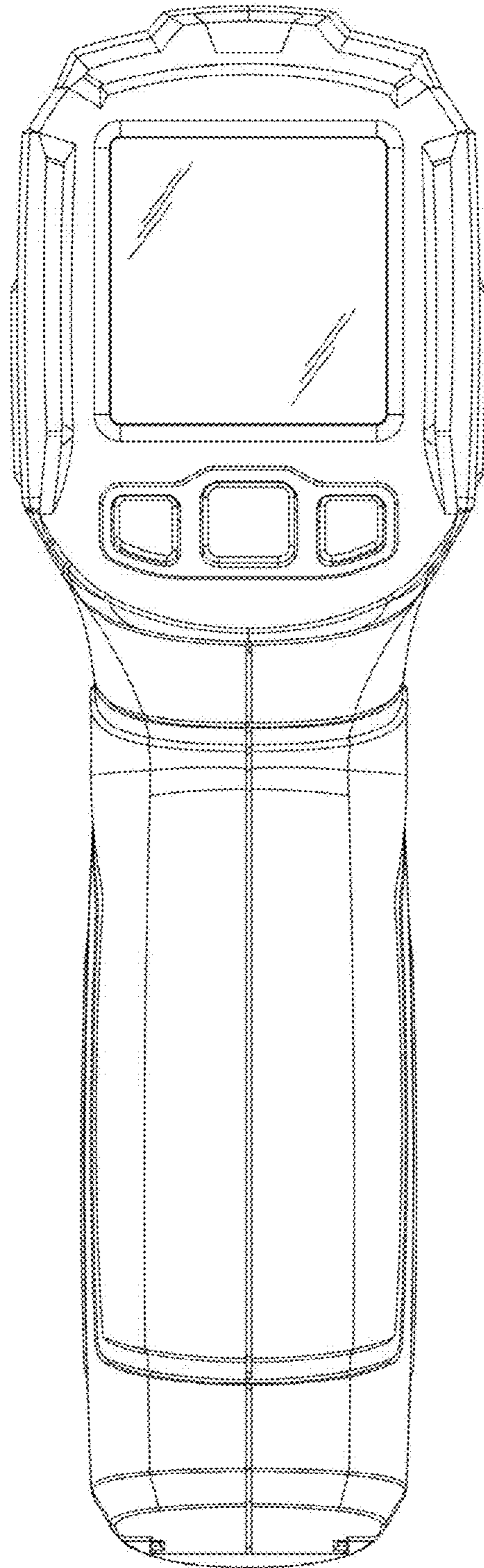


Figure 5

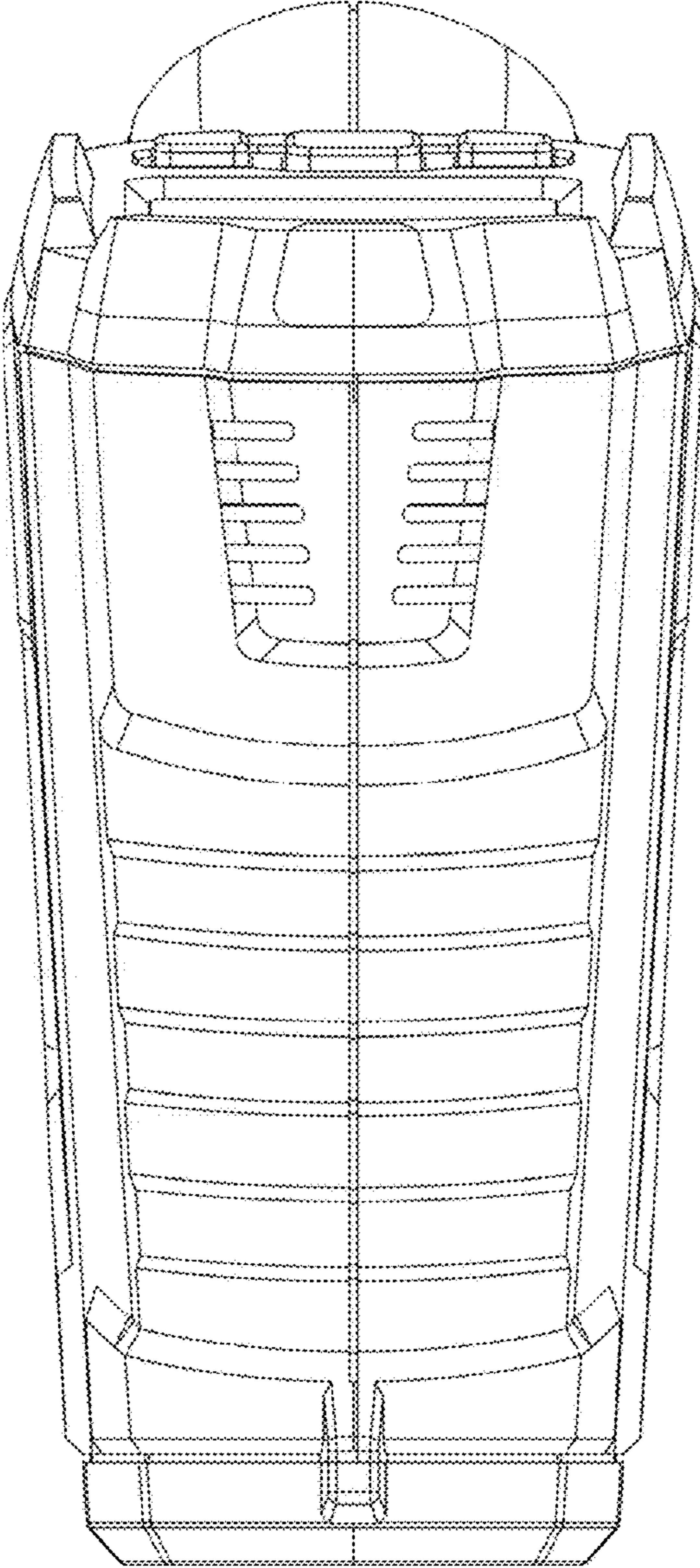


Figure 6

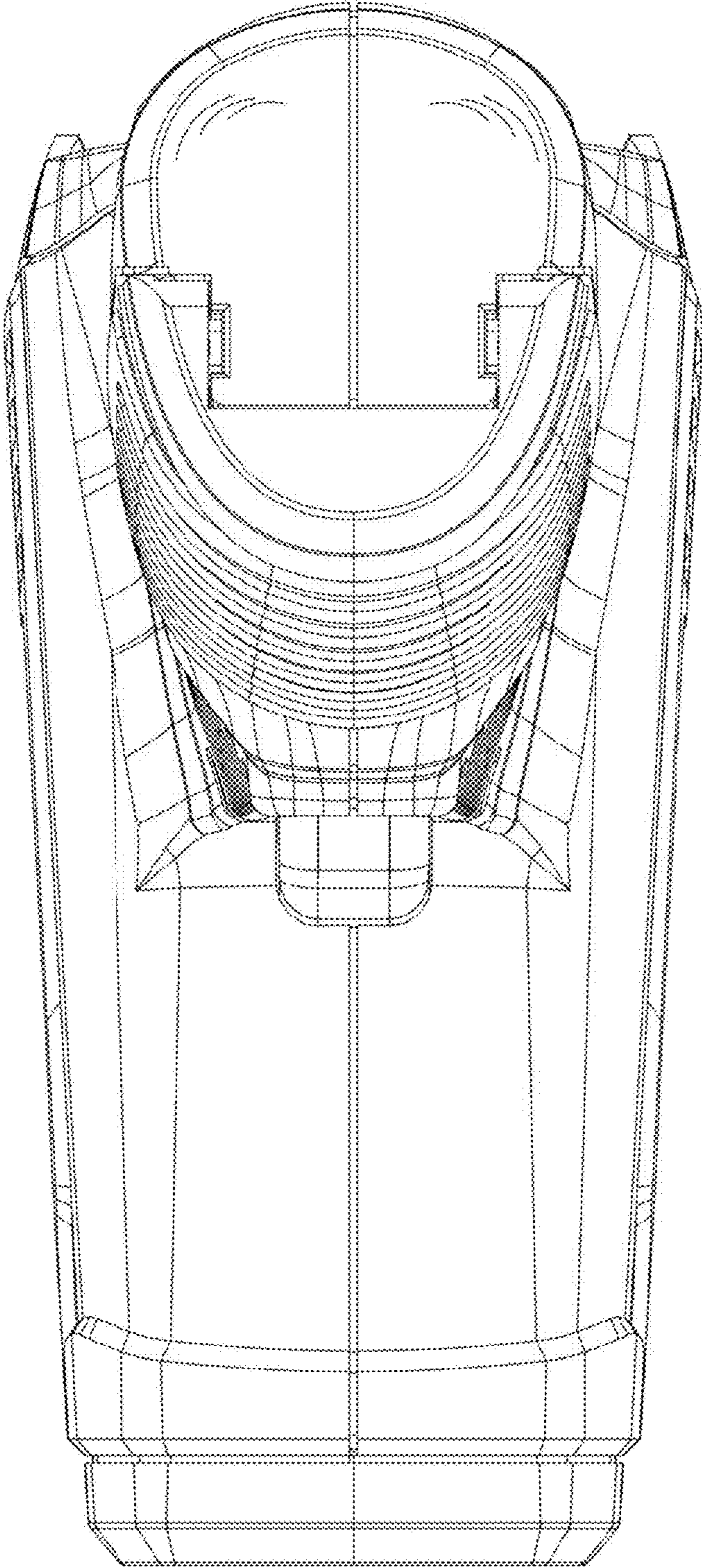


Figure 7