



US00D838190S

(12) **United States Design Patent**
Lai et al.

(10) **Patent No.:** **US D838,190 S**
(45) **Date of Patent:** **** Jan. 15, 2019**

- (54) **SENSOR MODULE**
- (71) Applicant: **DELTA ELECTRONICS, INC.**,
Taoyuan (TW)
- (72) Inventors: **Pin-Chen Lai**, Taoyuan (TW);
Chen-Yu Hung, Taoyuan (TW);
Sheng-Chan Tu, Taoyuan (TW);
Yuan-Ping Hsieh, Taoyuan (TW)
- (73) Assignee: **DELTA ELECTRONICS, INC.**,
Taoyuan (TW)
- (**) Term: **15 Years**
- (21) Appl. No.: **29/605,488**
- (22) Filed: **May 26, 2017**
- (51) **LOC (11) Cl.** **10-04**
- (52) **U.S. Cl.**
USPC **D10/53; D10/59**
- (58) **Field of Classification Search**
USPC D10/52, 53, 55, 56, 57, 59
CPC .. H04W 4/021; G01J 5/00-5/62; G01J 1/429;
G01K 1/00-1/26; G01K 3/00; G01K
3/145; G01K 5/00-5/72; G01K
7/00-7/427; G01K 9/00; G01K
11/00-11/324; G01K 17/00-17/20; G01K
2201/00-2201/02; G01K 2203/00; G01K
2205/00-2205/04; G01K
2207/00-2207/08; G01K 2211/00; G01K
2213/00; G01K 2215/00; G01K 2217/00;
G01K 2219/00; G01D 1/245; G01B 5/30;
G01M 5/0033; G01M 5/0075; G01N
29/045; G01N 29/12; G01N 29/2475;
G01N 29/2481; A61B 5/04; A61B
5/0059; A63B 24/0084; A63B 24/0062;
A63B 24/0075; A63B 69/0028; A63B
71/0622; A63B 71/0686; A63F 13/00;
A63F 13/06; A61N 5/0614; G01S 5/0009;
G01S 5/0018; G01S 5/0036; G01W 1/02;

G01W 1/04; G01W 1/06; G01W 1/10;
G01W 1/11; G01W 1/12; G01W 1/14;
G01W 1/16; G01W 1/17; G01W 1/18;
G01W 2001/006; G01W 2201/00; G01W
2203/00

See application file for complete search history.

(56) **References Cited**

U.S. PATENT DOCUMENTS

D730,754 S *	6/2015	Bould	D10/53
D766,749 S *	9/2016	Fadell	D10/53
D766,750 S *	9/2016	Fadell	D10/53
D782,354 S *	3/2017	Lovin	D10/53

* cited by examiner

Primary Examiner — Antoine Duval Davis

(74) *Attorney, Agent, or Firm* — Kirton McConkie; Evan R. Witt

(57) **CLAIM**

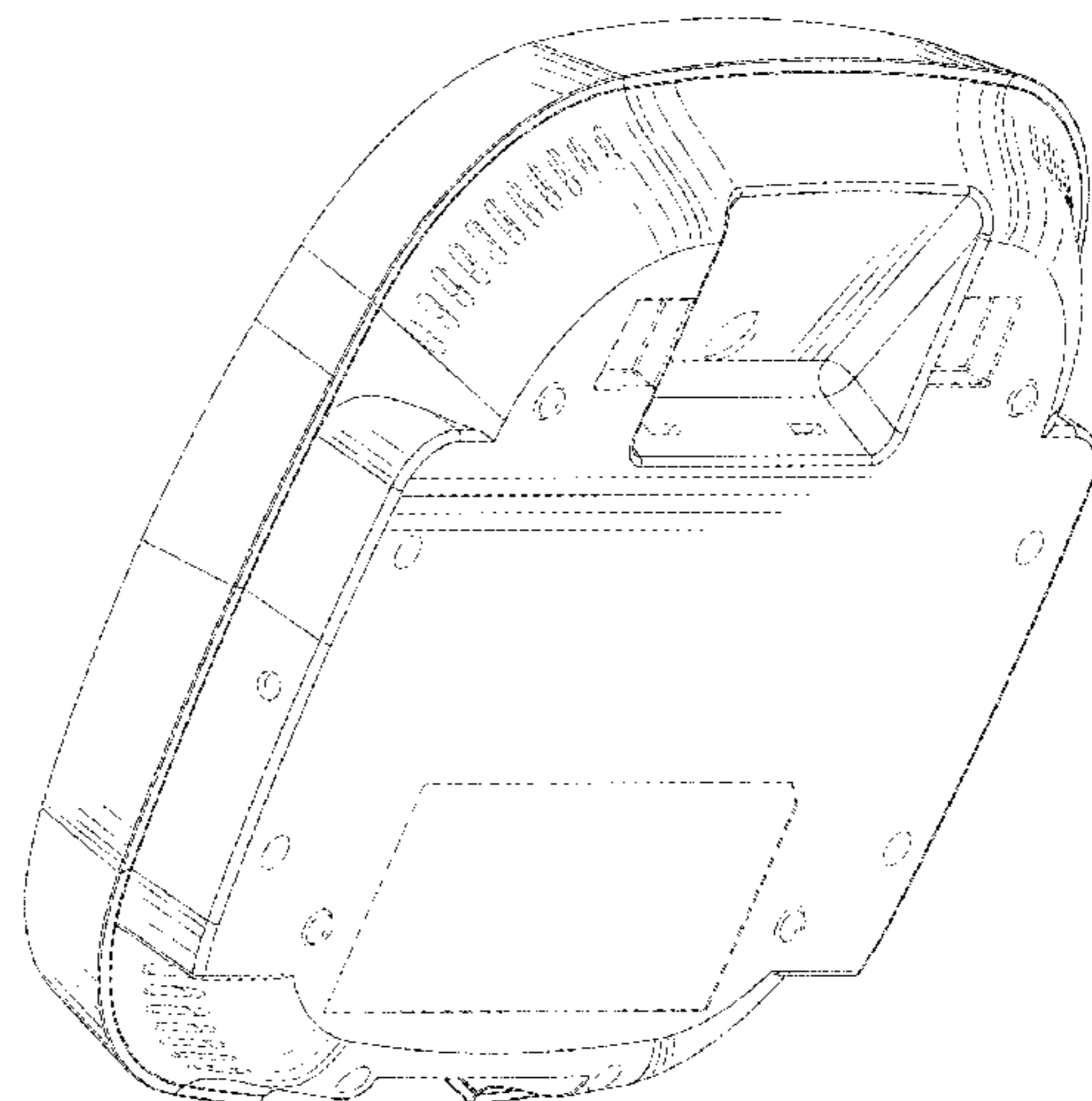
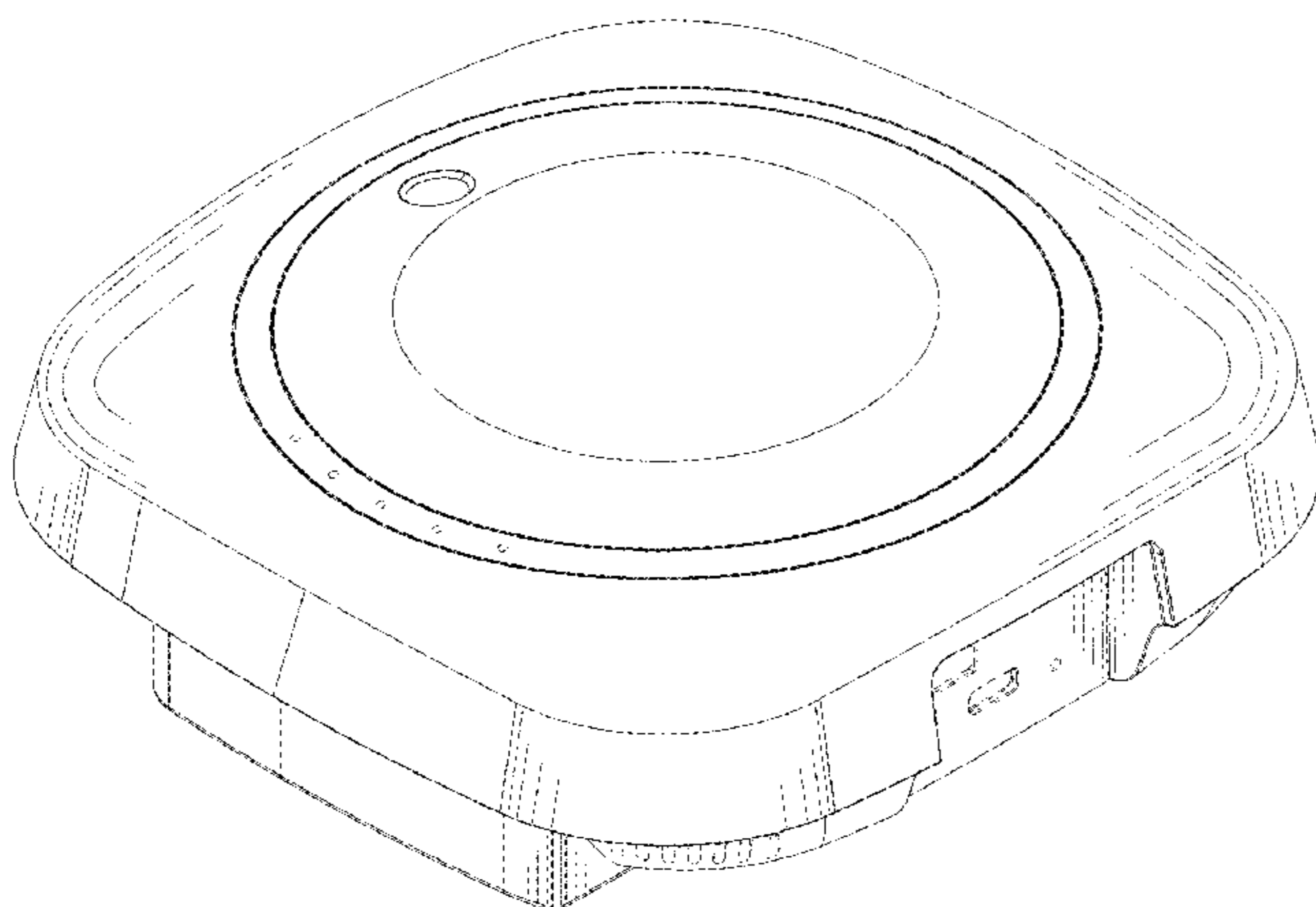
The ornamental design for a sensor module, as shown and described.

DESCRIPTION

FIG. 1 is a perspective view of a sensor module showing our new design;
 FIG. 2 is another perspective view thereof;
 FIG. 3 is yet another perspective view thereof;
 FIG. 4 is a front elevational view thereof;
 FIG. 5 is a rear elevational view thereof;
 FIG. 6 is a left side elevational view thereof;
 FIG. 7 is a right side elevational view thereof;
 FIG. 8 is a top plan view thereof; and,
 FIG. 9 is a bottom plan view thereof.

The broken line portions in the drawing views are included to show unclaimed subject matter only and form no part of the claimed design.

1 Claim, 7 Drawing Sheets



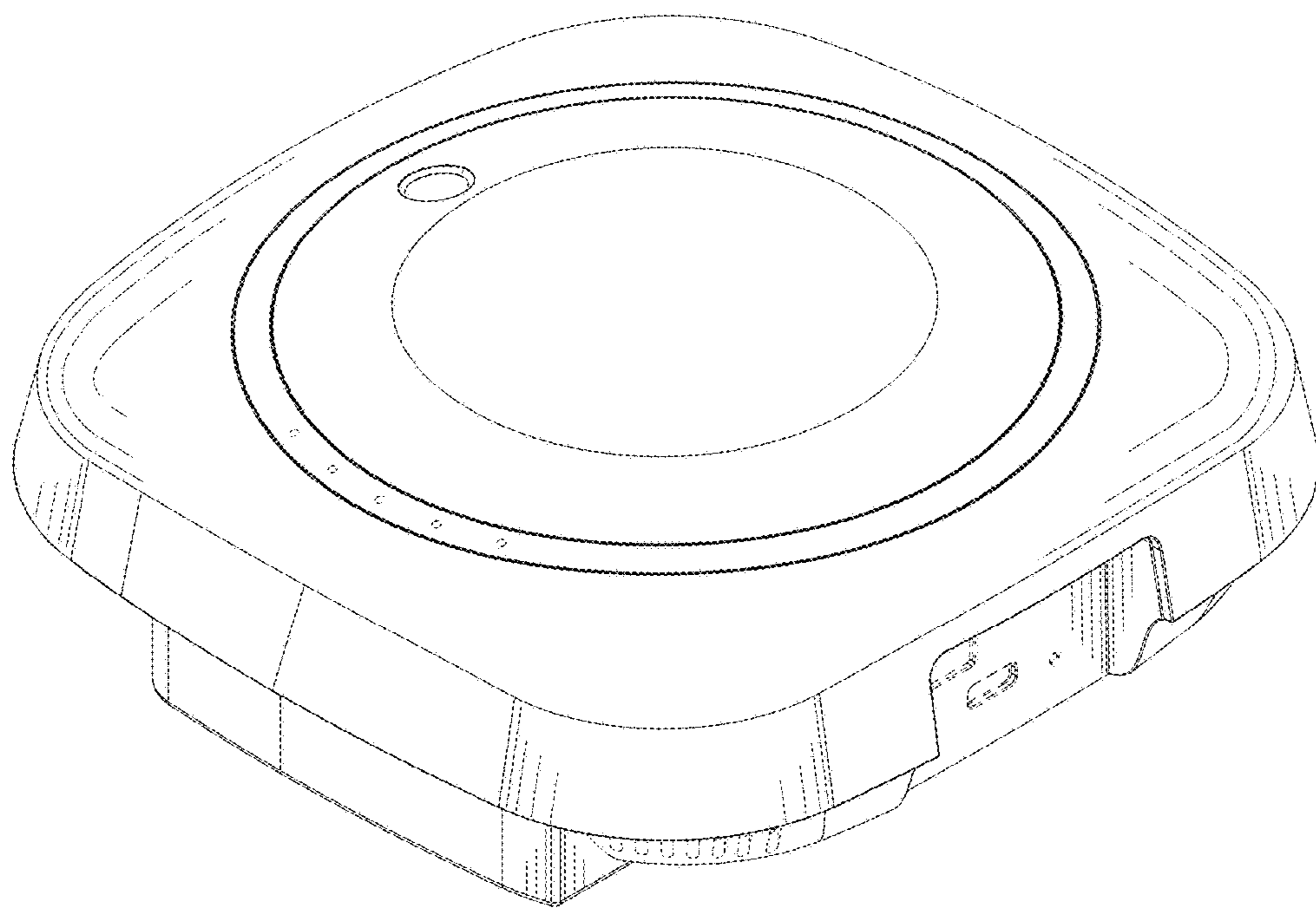


FIG. 1

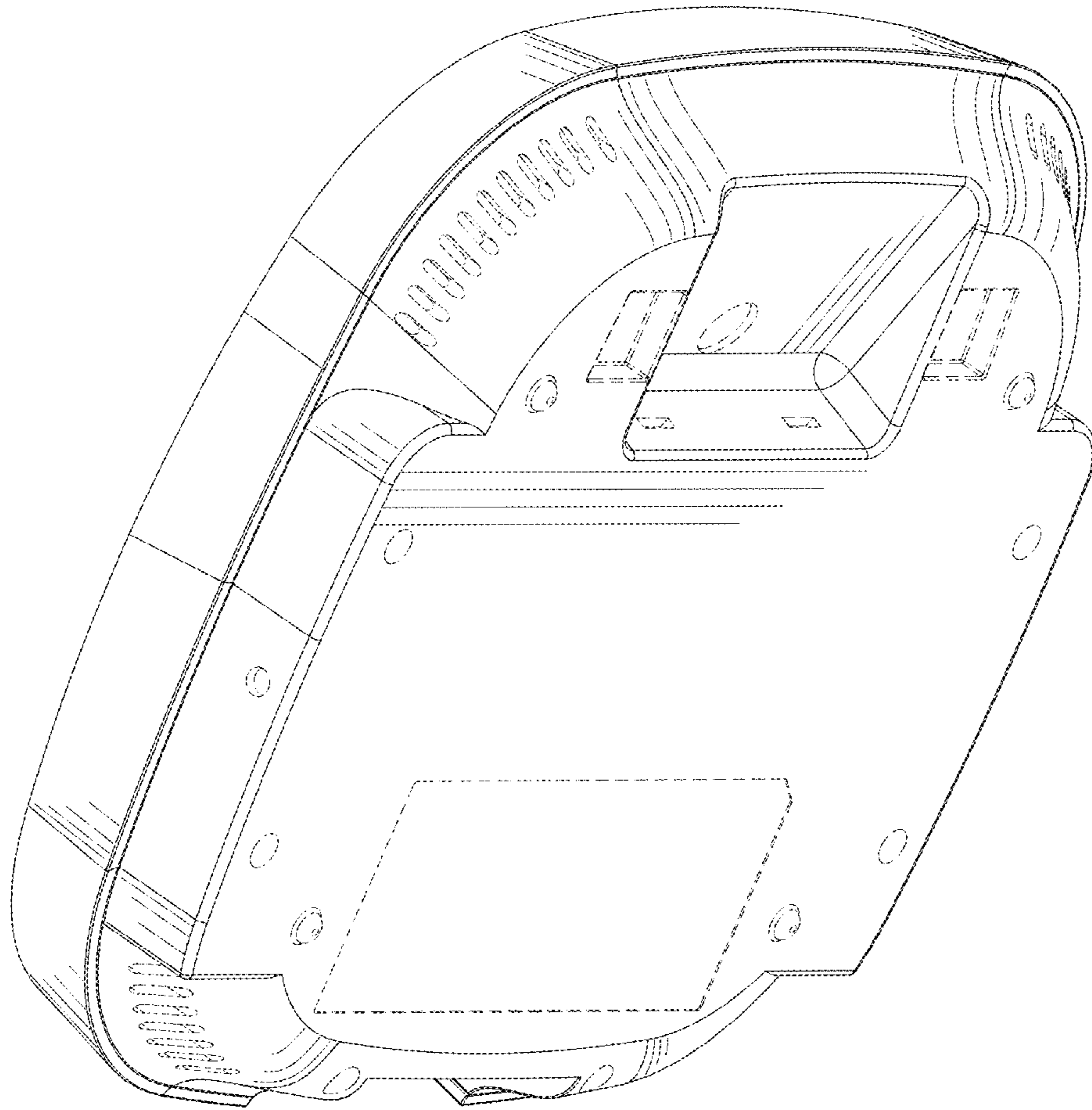


FIG. 2

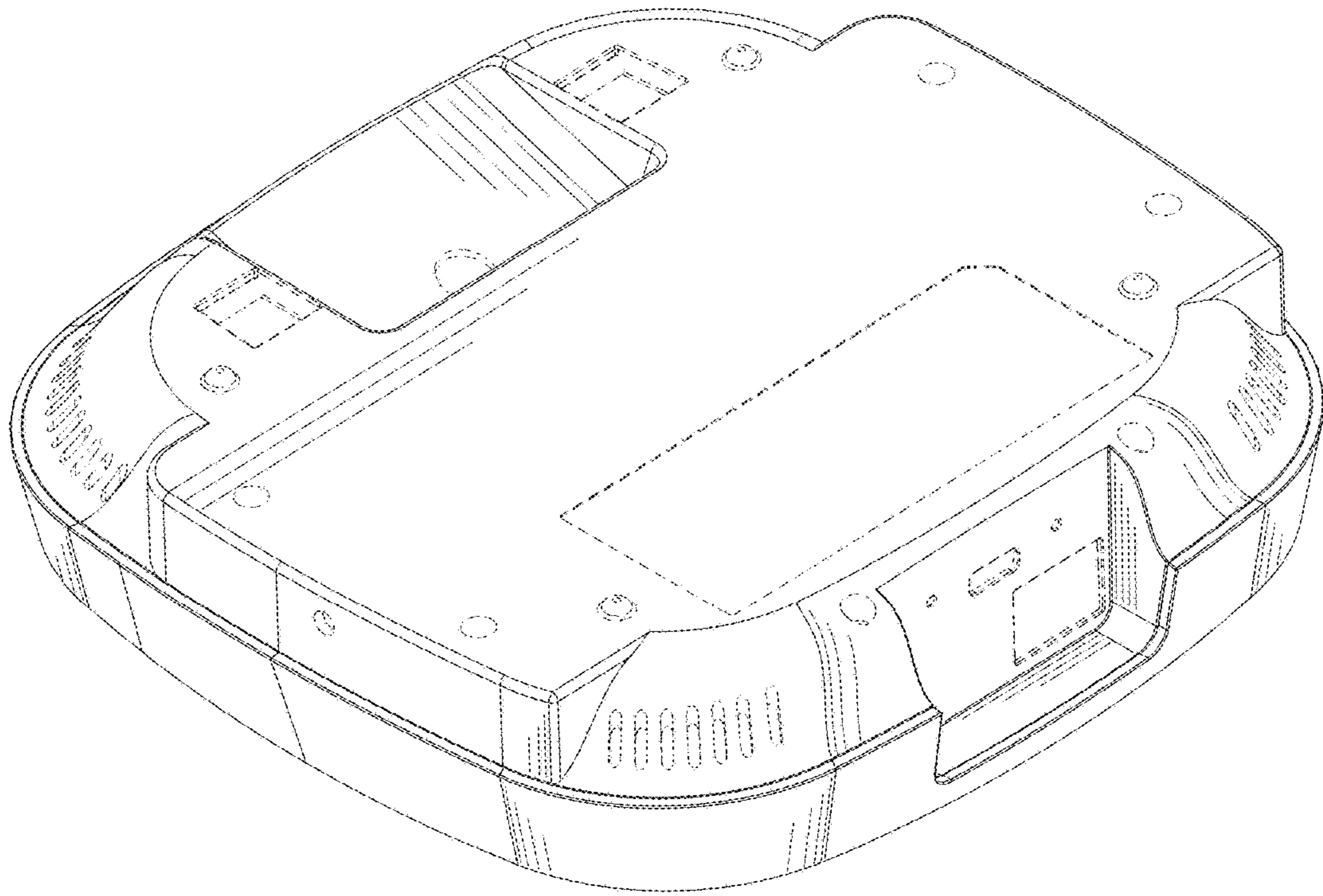


FIG. 3

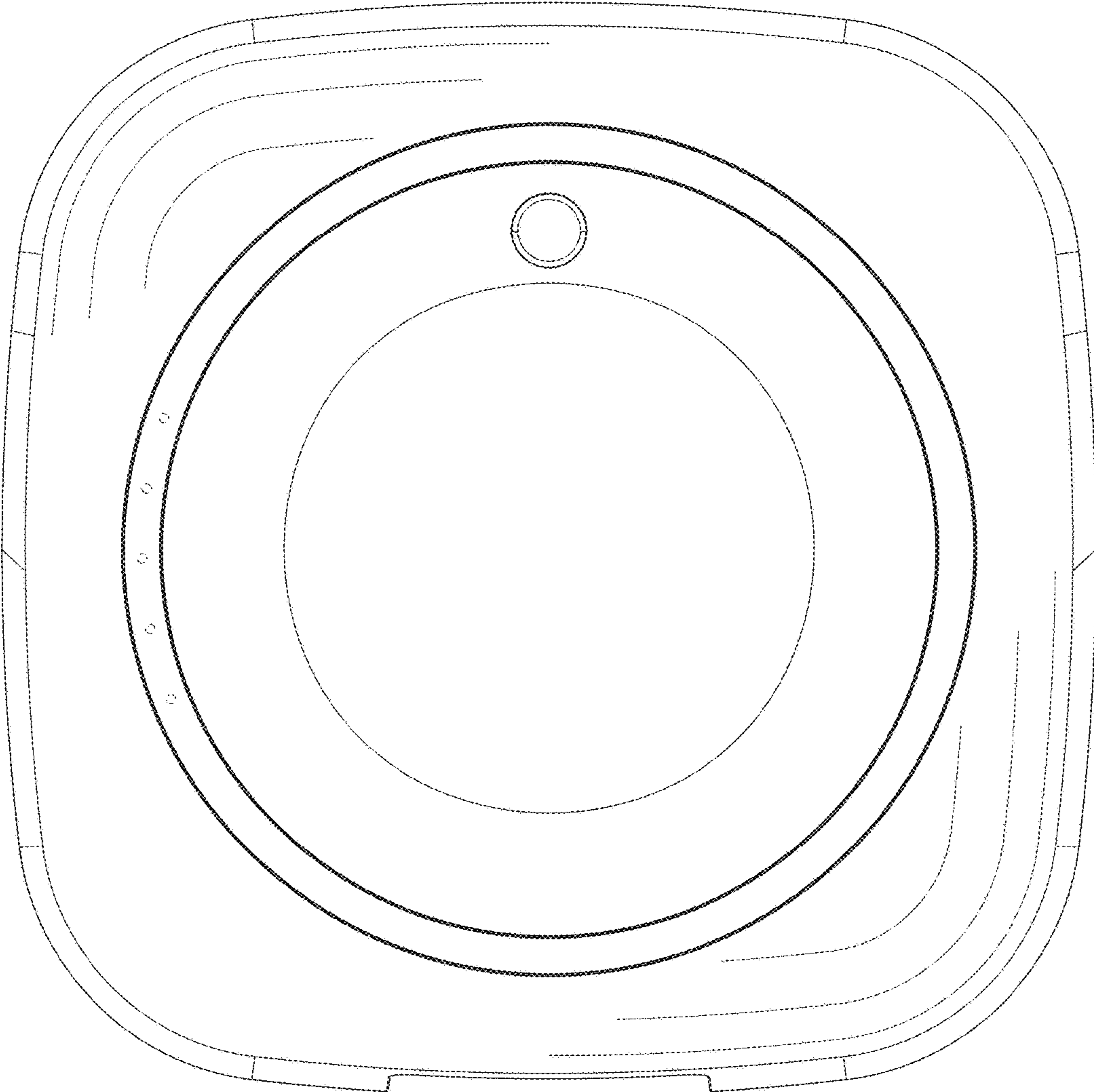


FIG. 4

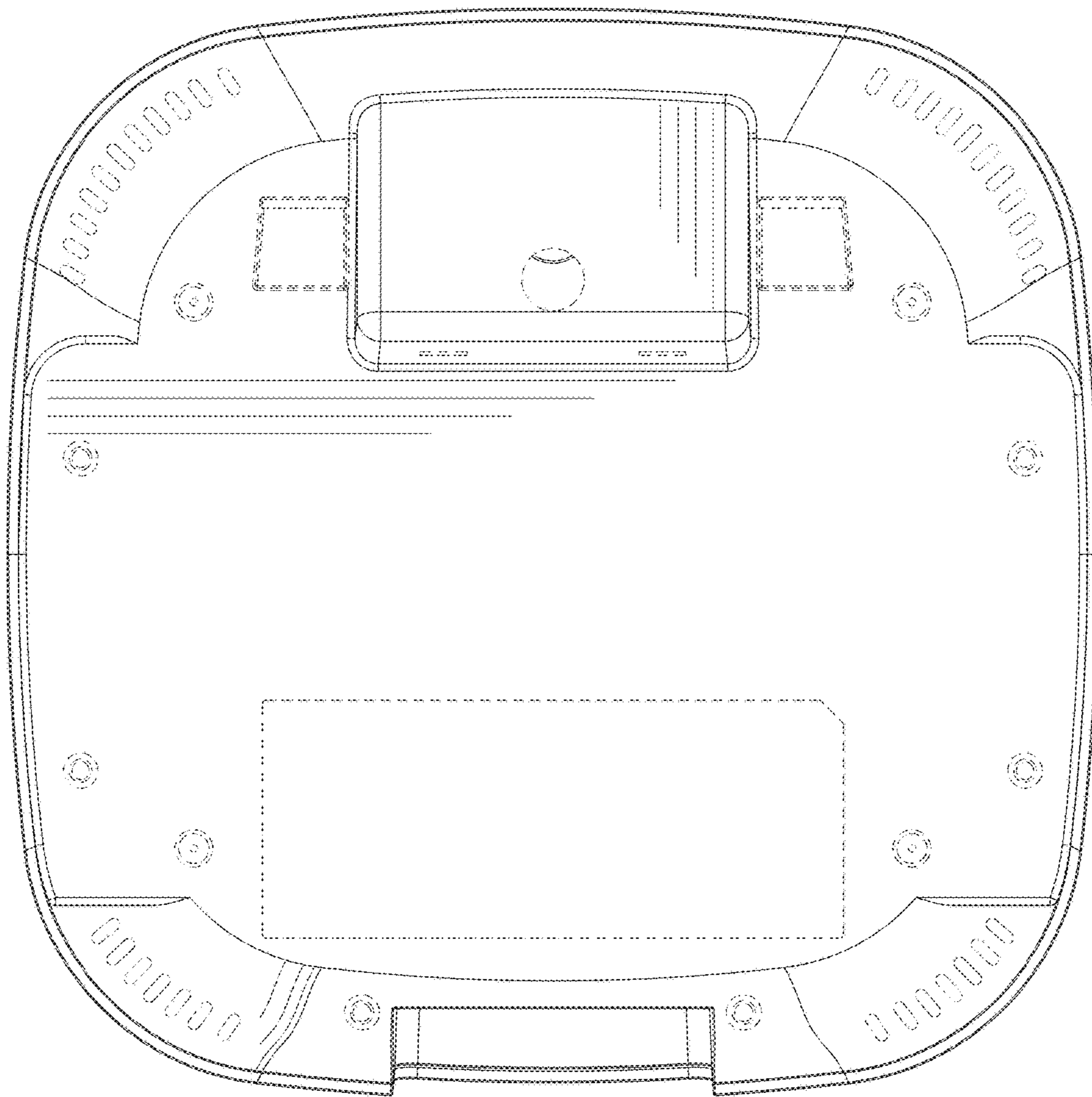


FIG. 5

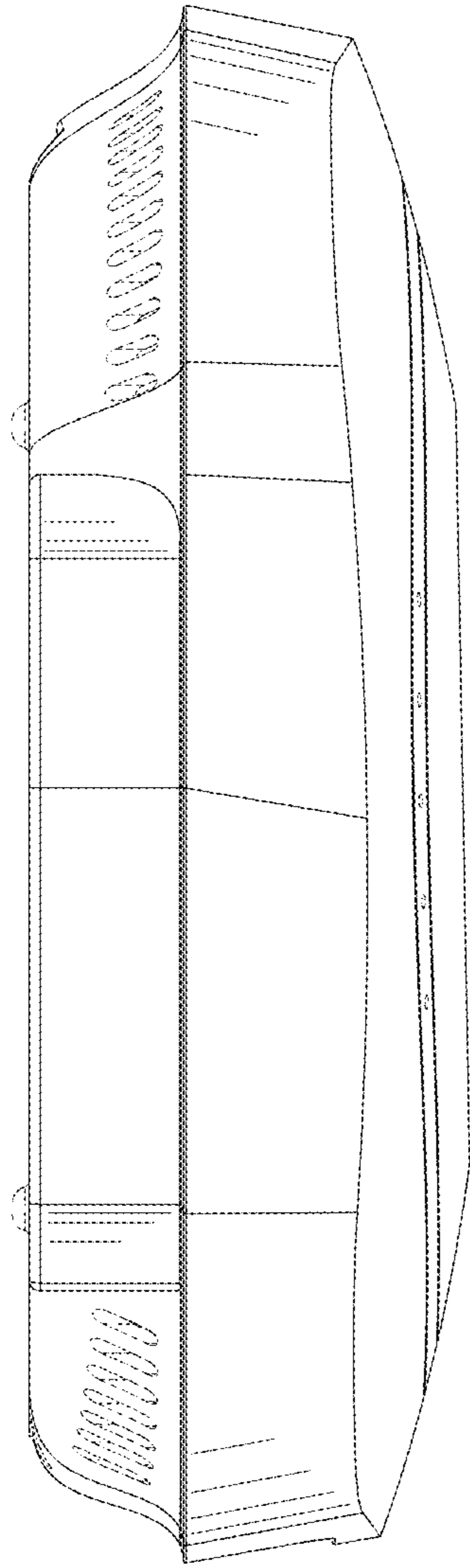


FIG. 6

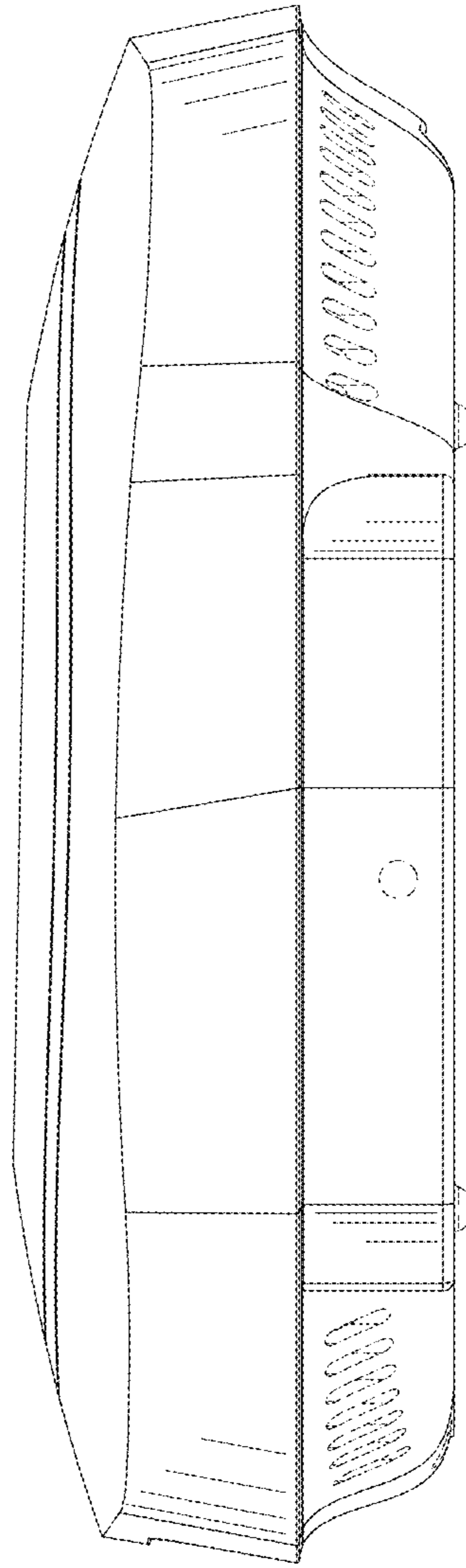


FIG. 7

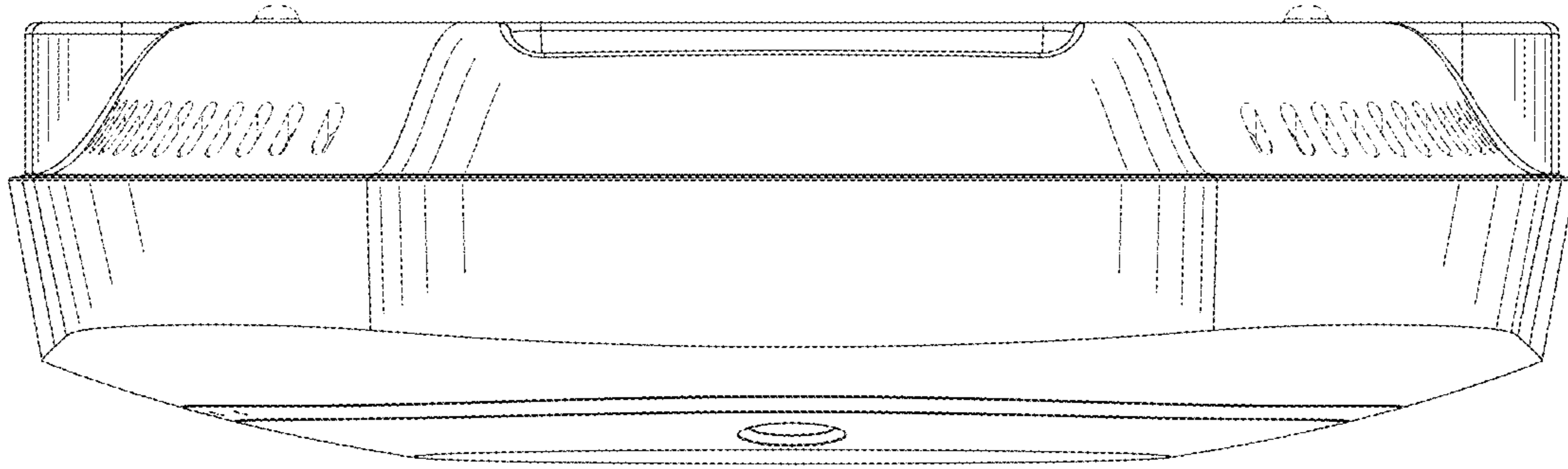


FIG. 8

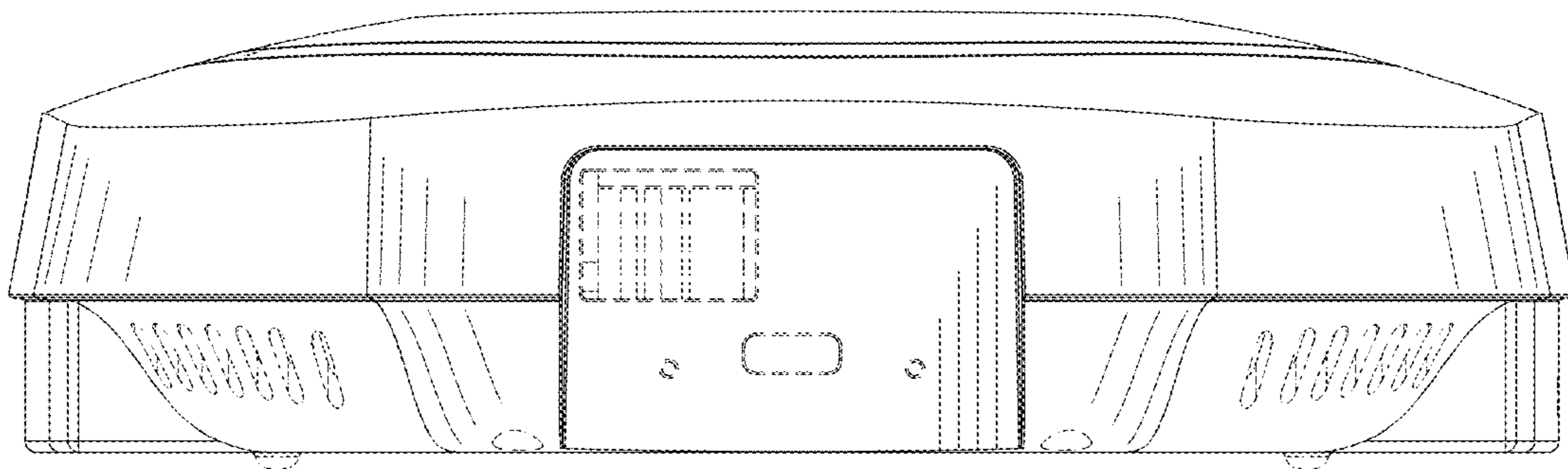


FIG. 9