

US00D838189S

(12) **United States Design Patent**  
**Choi**

(10) **Patent No.:** **US D838,189 S**  
(45) **Date of Patent:** **\*\* Jan. 15, 2019**

(54) **TEMPERATURE-HUMIDITY SENSOR**

(56) **References Cited**

(71) Applicant: **LG ELECTRONICS INC.**, Seoul (KR)

U.S. PATENT DOCUMENTS

(72) Inventor: **Taehong Choi**, Seoul (KR)

D579,800 S	*	11/2008	Mobley	.....	D10/57
D653,130 S	*	1/2012	Borovicka	.....	D10/57
D726,134 S	*	4/2015	Prendes	.....	D10/104.1
D728,395 S	*	5/2015	Roberts	.....	D10/104.1
D744,884 S	*	12/2015	Roberts	.....	D10/104.1
D782,354 S	*	3/2017	Lovin	.....	D10/101
D802,462 S	*	11/2017	Morneau	.....	D10/101
D805,938 S	*	12/2017	Park	.....	D10/104.1
D818,851 S	*	5/2018	Caldwell	.....	D10/56

(73) Assignee: **LG ELECTRONICS INC.**, Seoul (KR)

(\*\*) Term: **15 Years**

\* cited by examiner

(21) Appl. No.: **35/503,345**

*Primary Examiner* — George D. Kirschbaum

(22) Filed: **Jan. 11, 2017**

(74) *Attorney, Agent, or Firm* — Birch, Stewart, Kolasch & Birch, LLP

(80) **Hague Agreement Data**

Int. Filing Date: **Jan. 11, 2017**

Int. Reg. No.: **DM/094292**

Int. Reg. Date: **Jan. 11, 2017**

Int. Reg. Pub. Date: **Jul. 14, 2017**

(57) **CLAIM**

The ornamental design for a temperature-humidity sensor, as shown and described.

(30) **Foreign Application Priority Data**

Aug. 17, 2016 (KR) ..... 30-2016-0040192

(51) **LOC (11) Cl.** ..... **10-04**

(52) **U.S. Cl.**  
USPC ..... **D10/52**

(58) **Field of Classification Search**  
USPC ..... D10/56, 57, 104.1, 52  
See application file for complete search history.

**DESCRIPTION**

1. Temperature-humidity sensor

1.1 is a perspective view of a temperature-humidity sensor, showing our new design;

1.2 is a front elevation view thereof;

1.3 is a rear elevation view thereof;

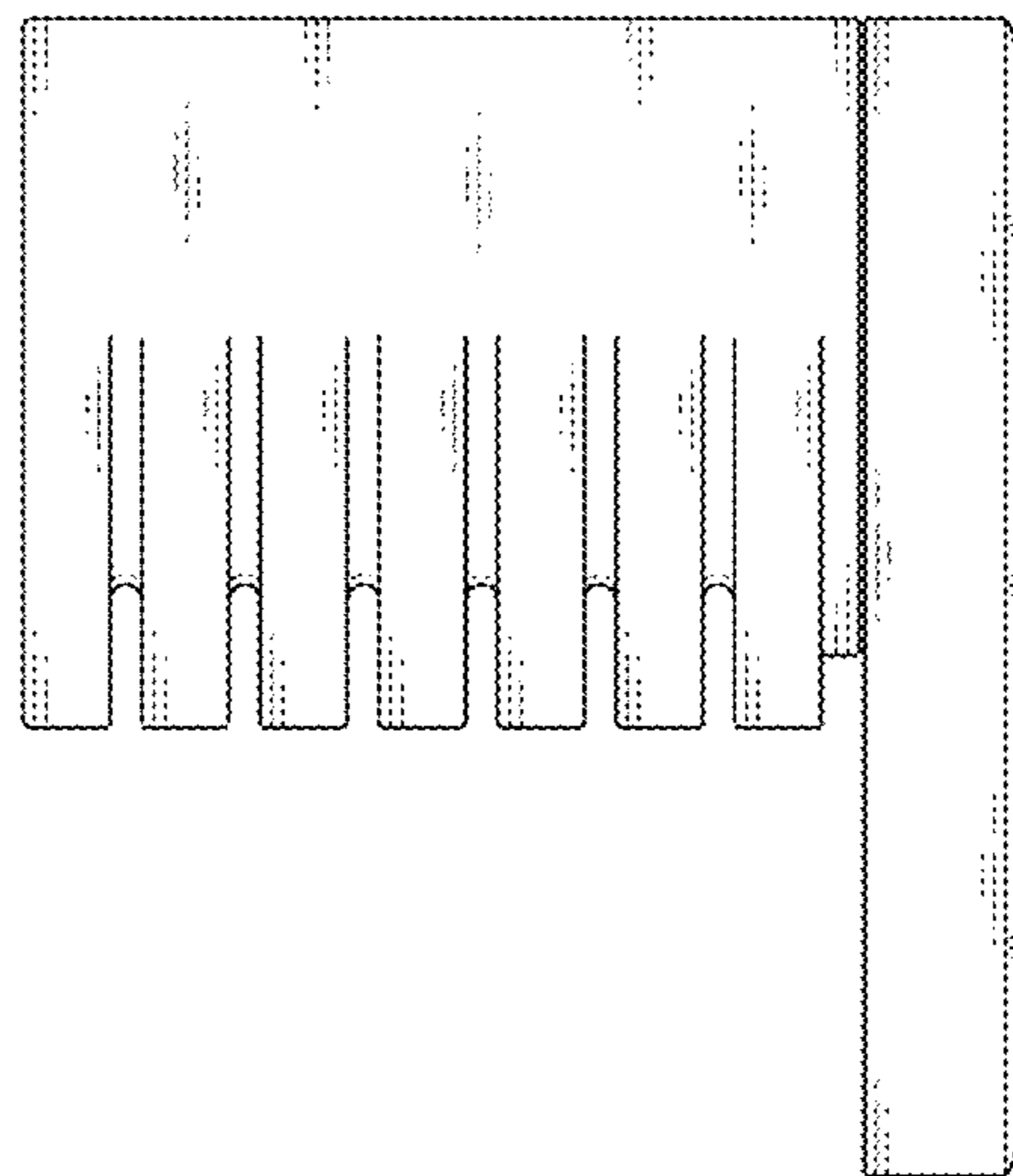
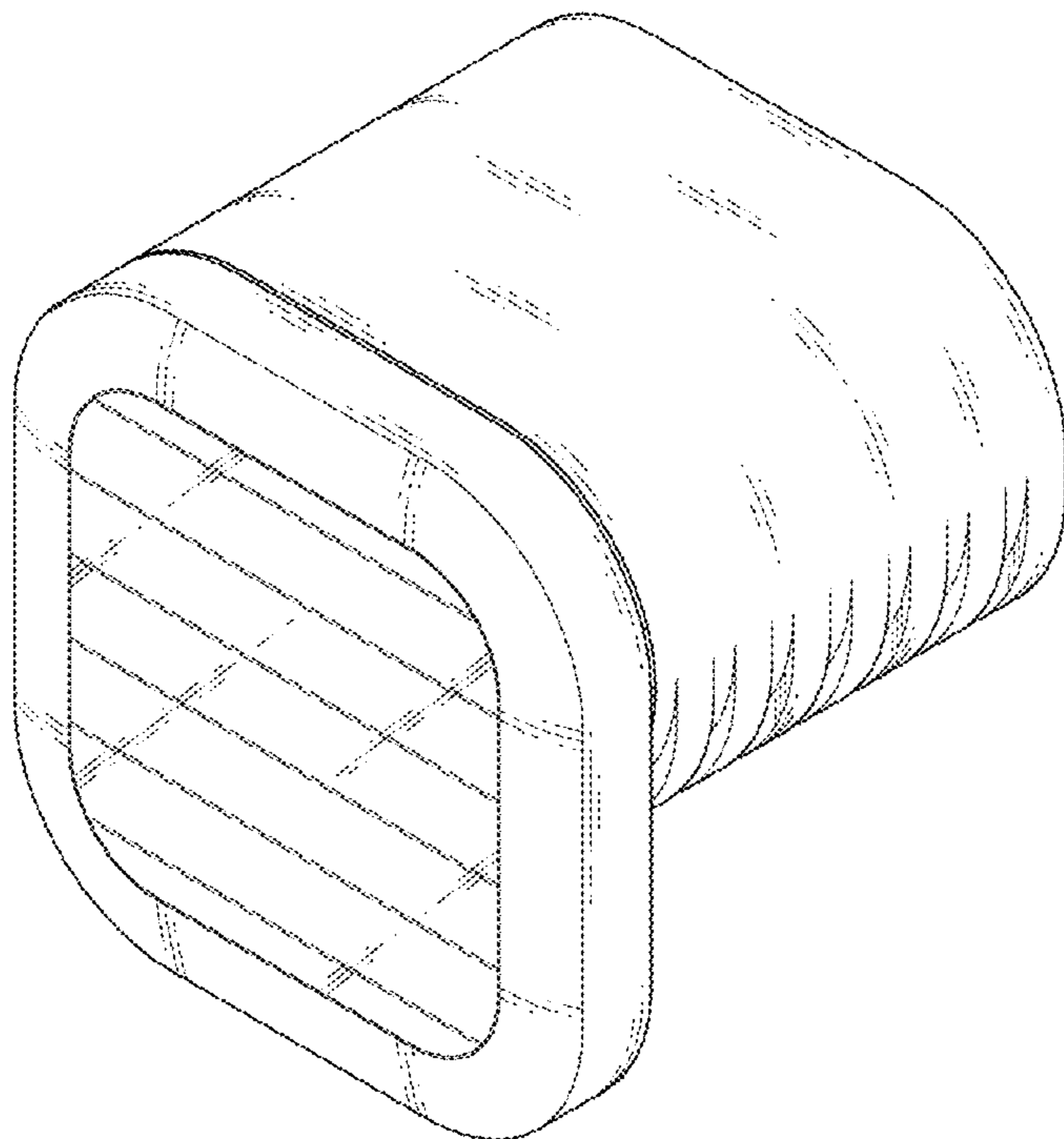
1.4 is a left-side elevation view thereof;

1.5 is a right-side elevation view thereof;

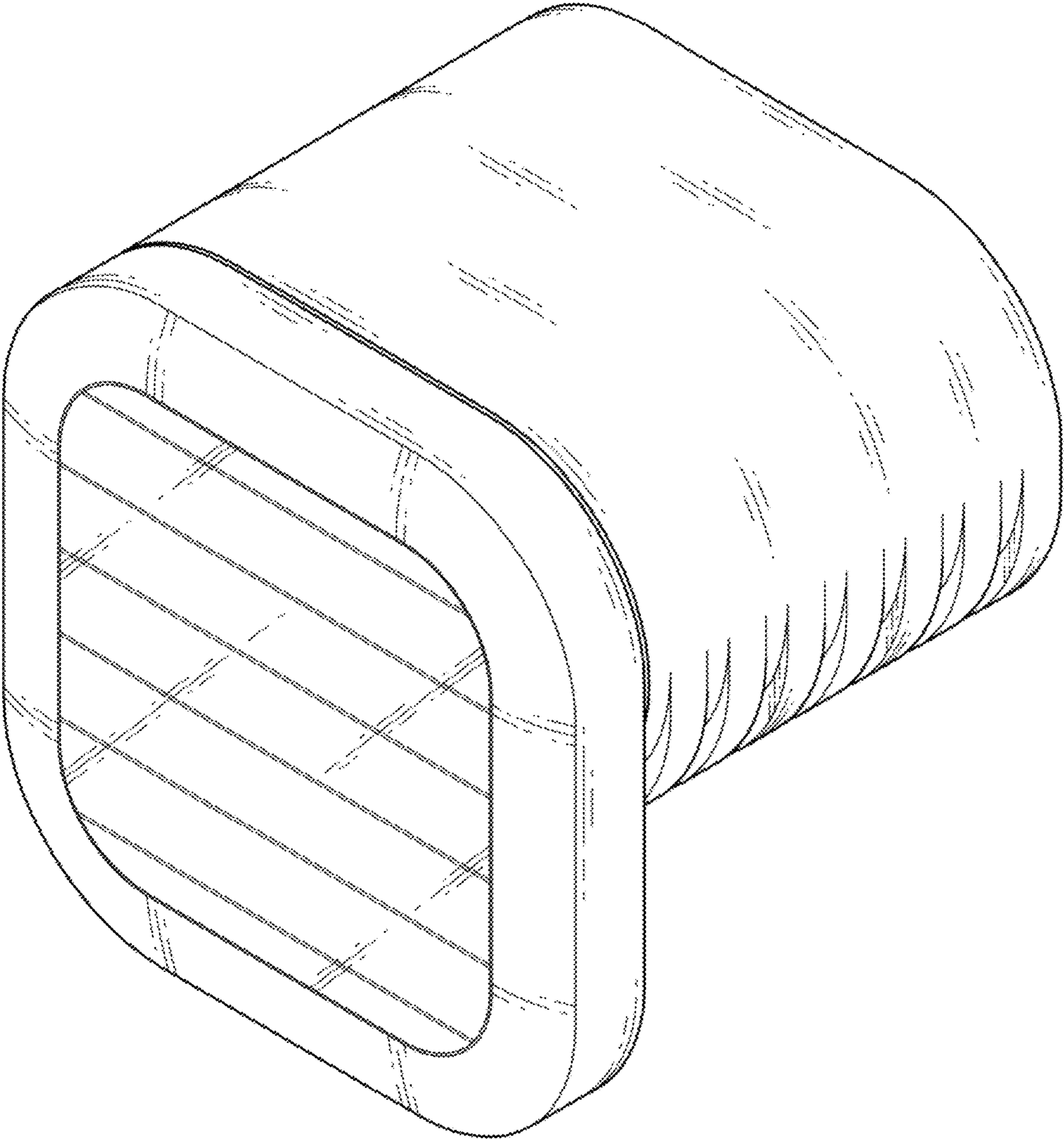
1.6 is a top plan view thereof; and

1.7 is a bottom plan view thereof.

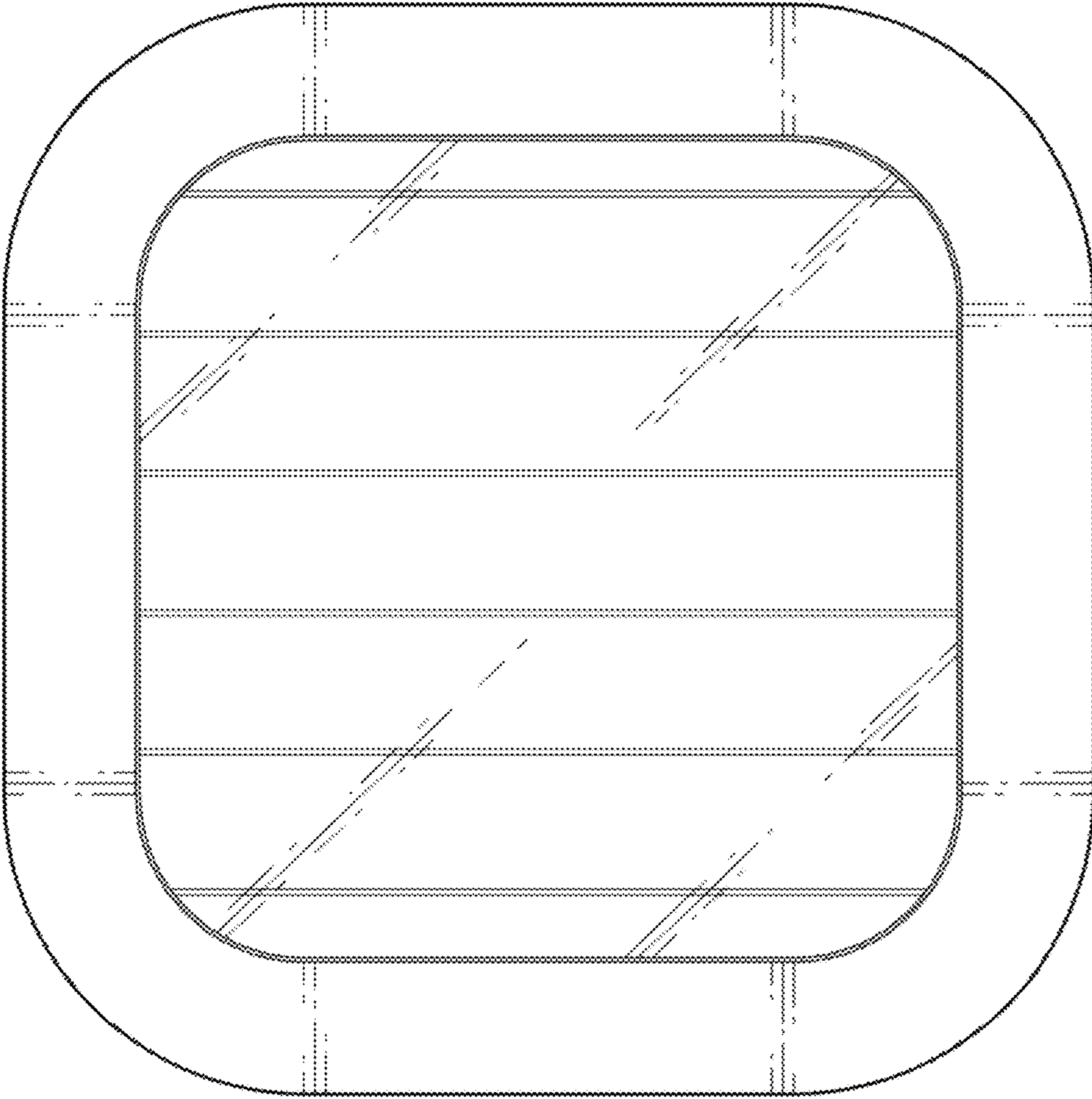
**1 Claim, 7 Drawing Sheets**



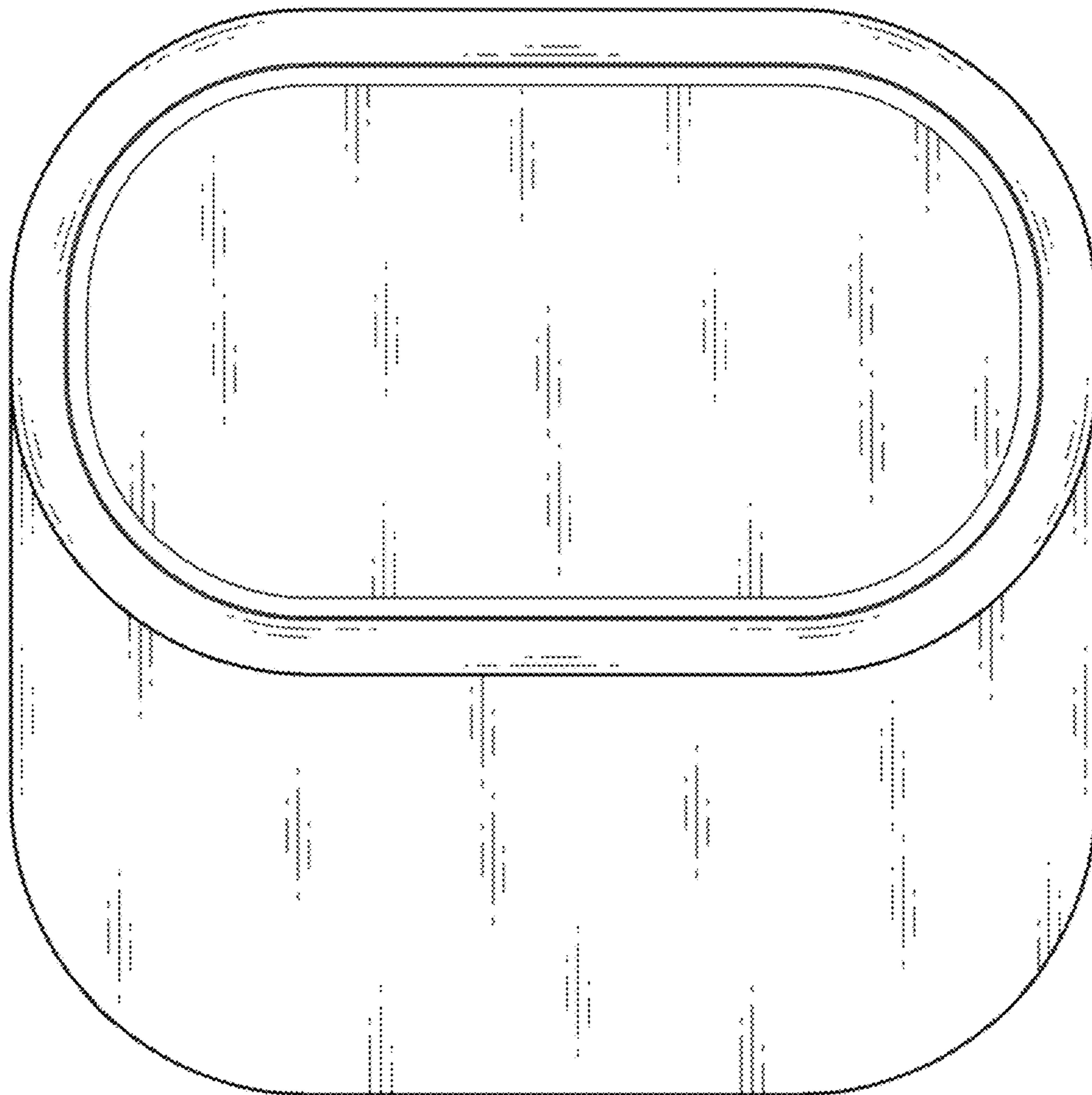
1.1



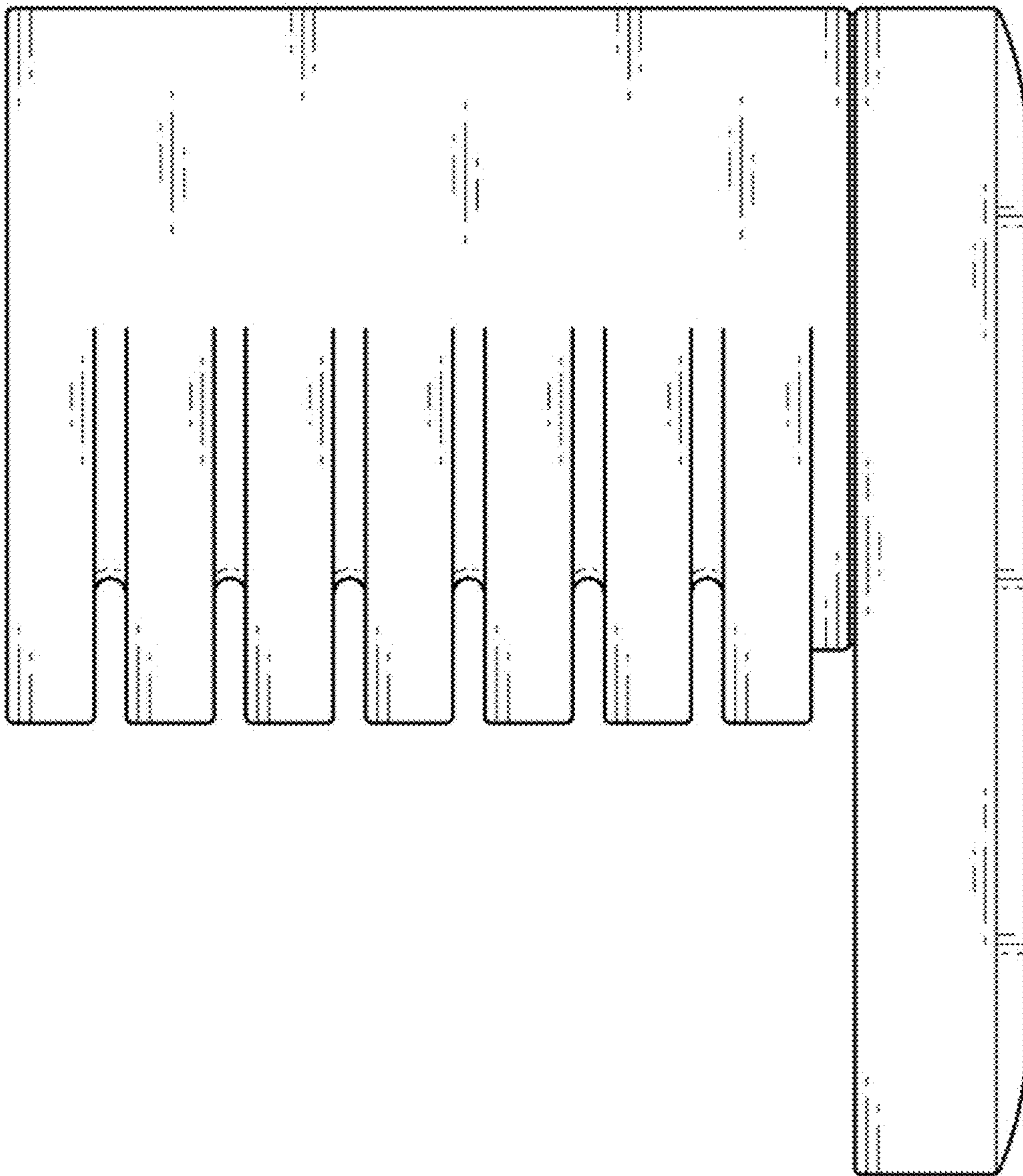
1.2



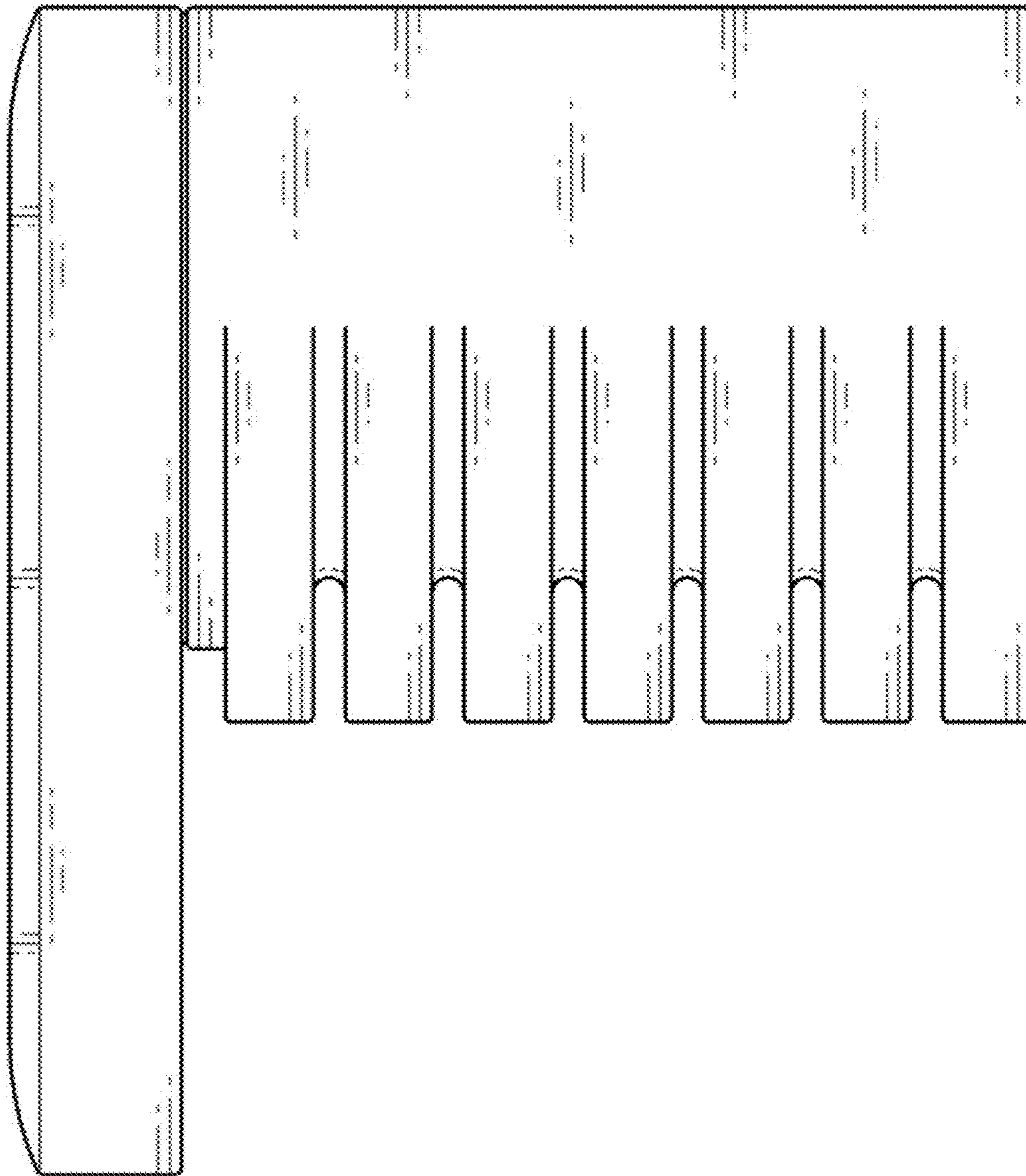
1.3



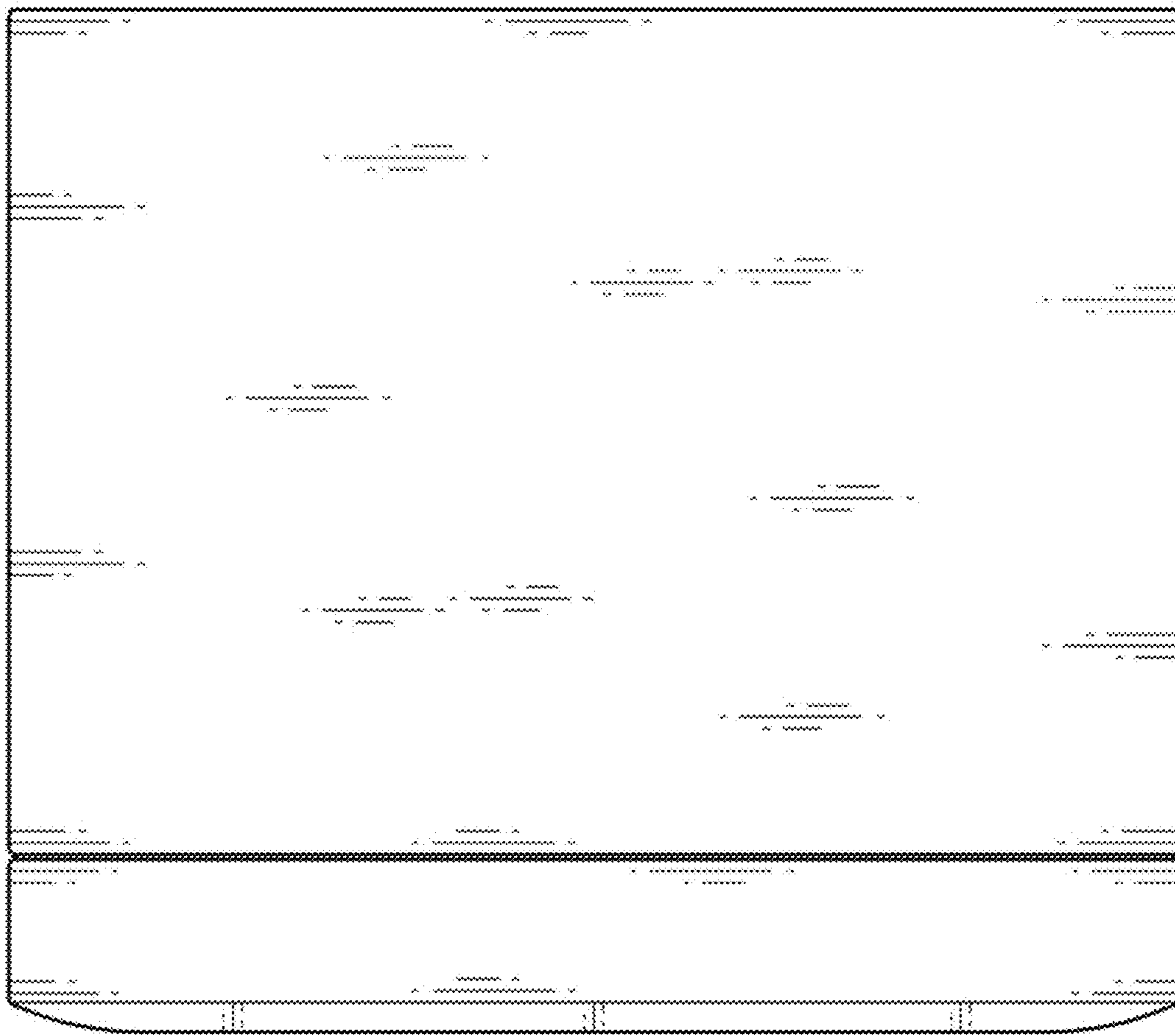
1.4



1.5



1.6



1.7

