



US00D838188S

(12) **United States Design Patent**
Utter

(10) **Patent No.:** **US D838,188 S**
(45) **Date of Patent:** **** Jan. 15, 2019**

(54) **BARREL POUCH FOR DISPENSING LIQUIDS**

(71) Applicant: **Fres-co System USA, Inc.**, Telford, PA (US)

(72) Inventor: **Joshua Robert Utter**, Doylestown, PA (US)

(73) Assignee: **Fres-co System USA, Inc.**, Telford, PA (US)

(**) Term: **15 Years**

(21) Appl. No.: **29/628,446**

(22) Filed: **Dec. 5, 2017**

(51) **LOC (11) Cl.** **09-05**

(52) **U.S. Cl.**
USPC **D9/707**

(58) **Field of Classification Search**

USPC D9/702-714, 429-432, 447, 720, 414, D9/434-435, 696, 716, 771, 522, D9/571-575, 682, 738-747, 516-517, D9/529-530, 547-549, 569, 537-538, D9/544, 503-505, 545; 383/6, 9, 22, 96, 383/61.1, 80-81, 104, 901, 63, 203, 107, 383/119, 120, 123; D24/118, 207; 222/92, 107, 206; 604/316, 403, 410, 604/408; 220/495.03, 669, 675;

(Continued)

(56) **References Cited**

U.S. PATENT DOCUMENTS

D582,788 S 12/2008 Smith
D699,128 S * 2/2014 Moynihan D9/707
D701,174 S * 3/2014 Feldstein D13/154

(Continued)

Primary Examiner — Abraham Bahta

(74) *Attorney, Agent, or Firm* — Caesar Rivise, PC

(57) **CLAIM**

The ornamental design for the barrel pouch for dispensing liquids, as shown and described.

DESCRIPTION

FIG. 1 is an isometric view of the barrel pouch for dispensing liquids in accordance with my new design and shown in its unfilled (flattened) state;

FIG. 2 is a front elevation view of the barrel pouch for dispensing liquids shown in FIG. 1;

FIG. 3 is a rear elevation view of the barrel pouch for dispensing liquids shown in FIG. 1;

FIG. 4 is a right side elevation view of the barrel pouch for dispensing liquids shown in FIG. 1;

FIG. 5 is a left side elevation view of the barrel pouch for dispensing liquids shown in FIG. 1;

FIG. 6 is a top plan view of the barrel pouch for dispensing liquids shown in FIG. 1;

FIG. 7 is a bottom plan view of the barrel pouch for dispensing liquids shown in FIG. 1;

FIG. 8 is an isometric view of the barrel pouch for dispensing liquids of FIG. 1, but with the pouch shown in its filled state filled with a liquid (not shown);

FIG. 9 is a front elevation view of the barrel pouch for dispensing liquids shown in FIG. 8;

FIG. 10 is a rear elevation view of the barrel pouch for dispensing liquids shown in FIG. 8;

FIG. 11 is a right side elevation view of the barrel pouch for dispensing liquids shown in FIG. 8;

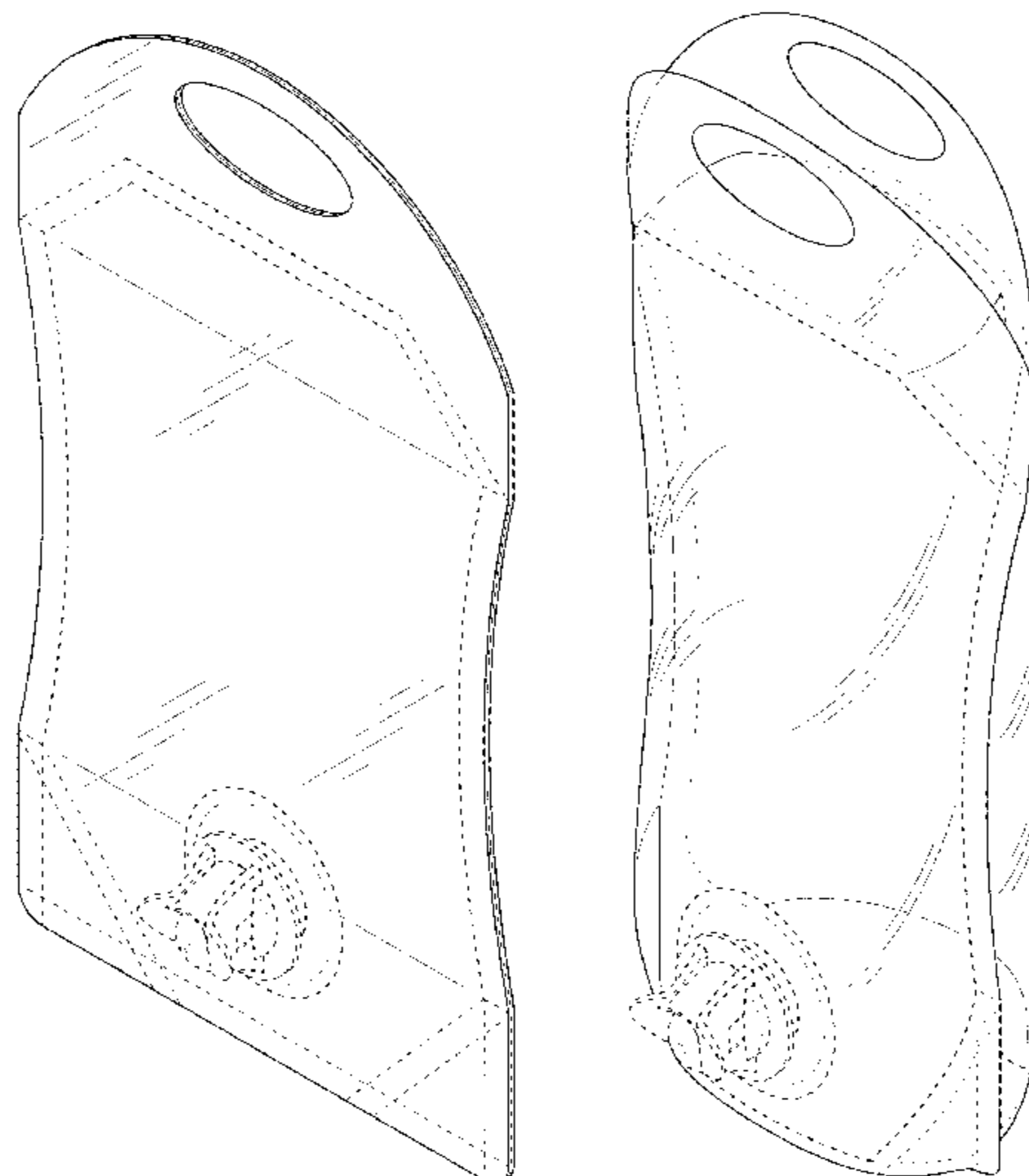
FIG. 12 is a left side elevation view of the barrel pouch for dispensing liquids shown in FIG. 8;

FIG. 13 is a top plan view of the barrel pouch for dispensing liquids shown in FIG. 8; and,

FIG. 14 is a bottom plan view of the barrel pouch for dispensing liquids shown in FIG. 8.

The broken lines in the various figures are directed to unclaimed portions of the barrel pouch for dispensing liquids and form no part of the claimed design.

1 Claim, 12 Drawing Sheets



(58) **Field of Classification Search**

USPC 215/381-385, 12.1; D3/202, 303, 232,
D3/244

CPC B65D 1/00; B65D 1/0223; B65D 1/24;
B65D 1/38; B65D 1/02; B65D 11/00;
B65D 11/02; B65D 11/04; B65D 11/10;
B65D 11/14; B65D 11/20; B65D 29/00;
B65D 29/02; B65D 29/04; B65D 33/00;
B65D 33/02; B65D 41/00; B65D 41/02;
B65D 81/00; B65D 81/02; B65D 47/00;
B65D 47/02; B65D 47/04; B65D 47/06

See application file for complete search history.

(56) **References Cited**

U.S. PATENT DOCUMENTS

D701,774 S	4/2014	Steigelman	
D711,251 S *	8/2014	Epstein	D9/707
D716,667 S *	11/2014	James	D9/709
D764,730 S *	8/2016	Chaklos	D32/26
D786,090 S *	5/2017	Murray	D9/707
D822,503 S *	7/2018	Moynihan	D9/707
2015/0284144 A1	10/2015	Dytchkowskyj	

* cited by examiner

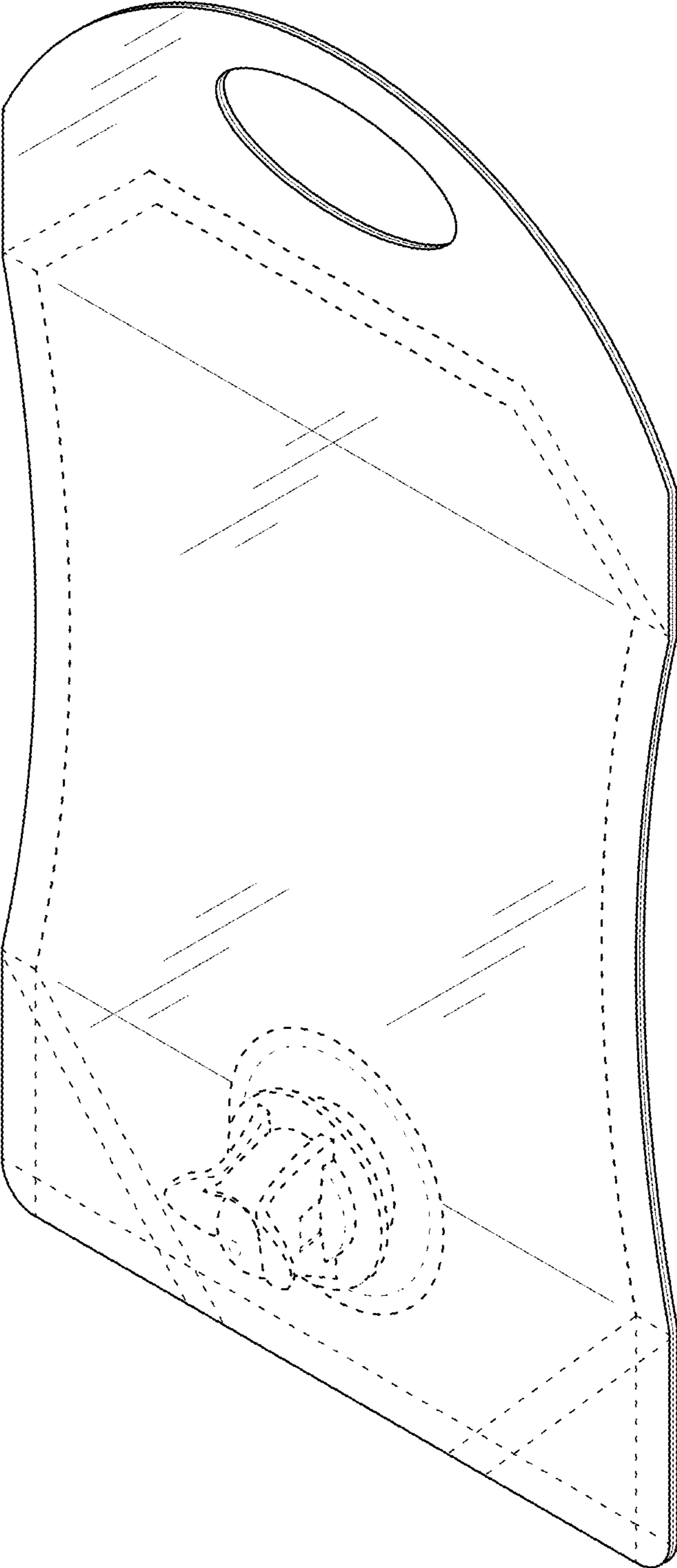


FIG. 1

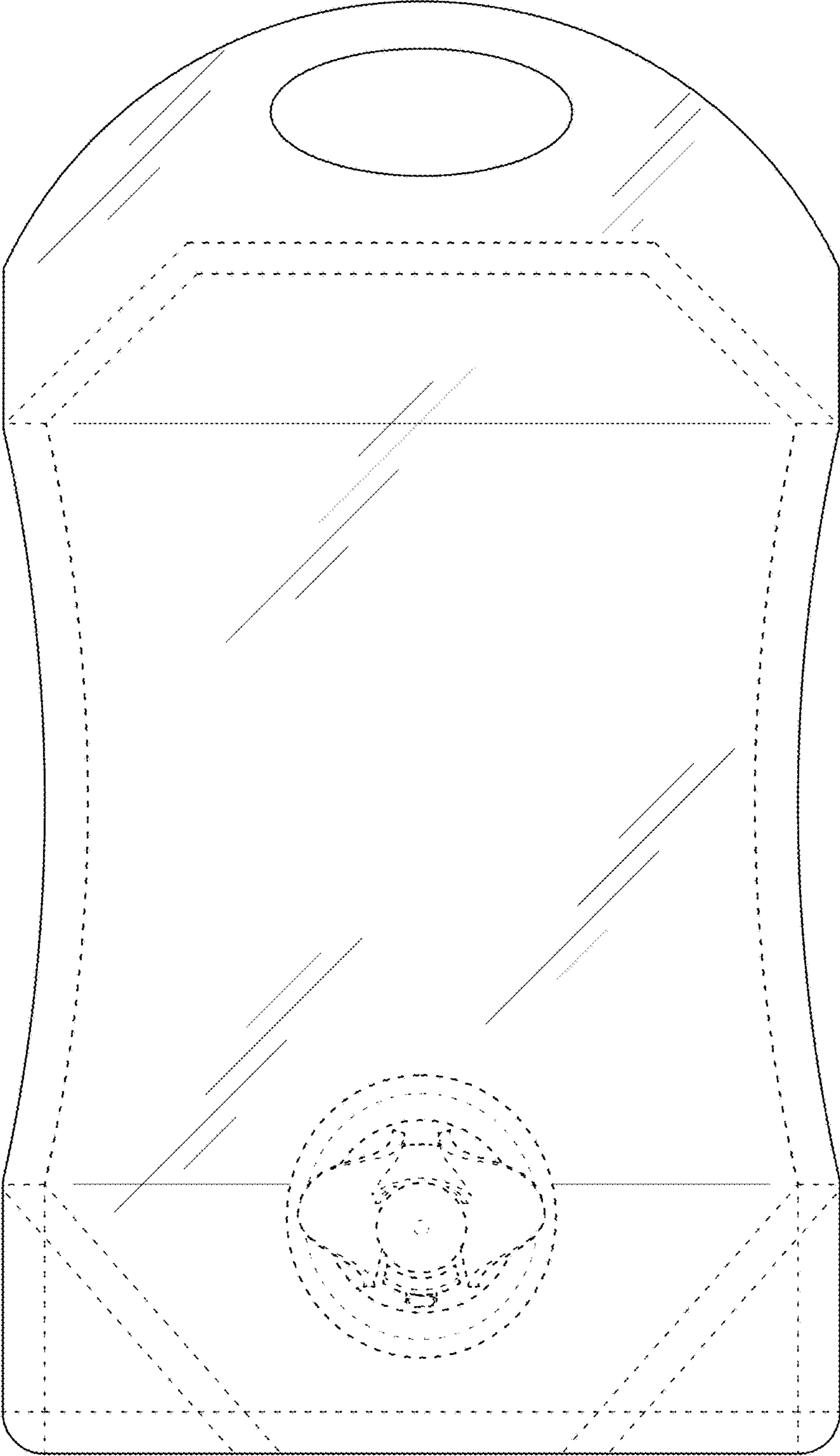


FIG. 2

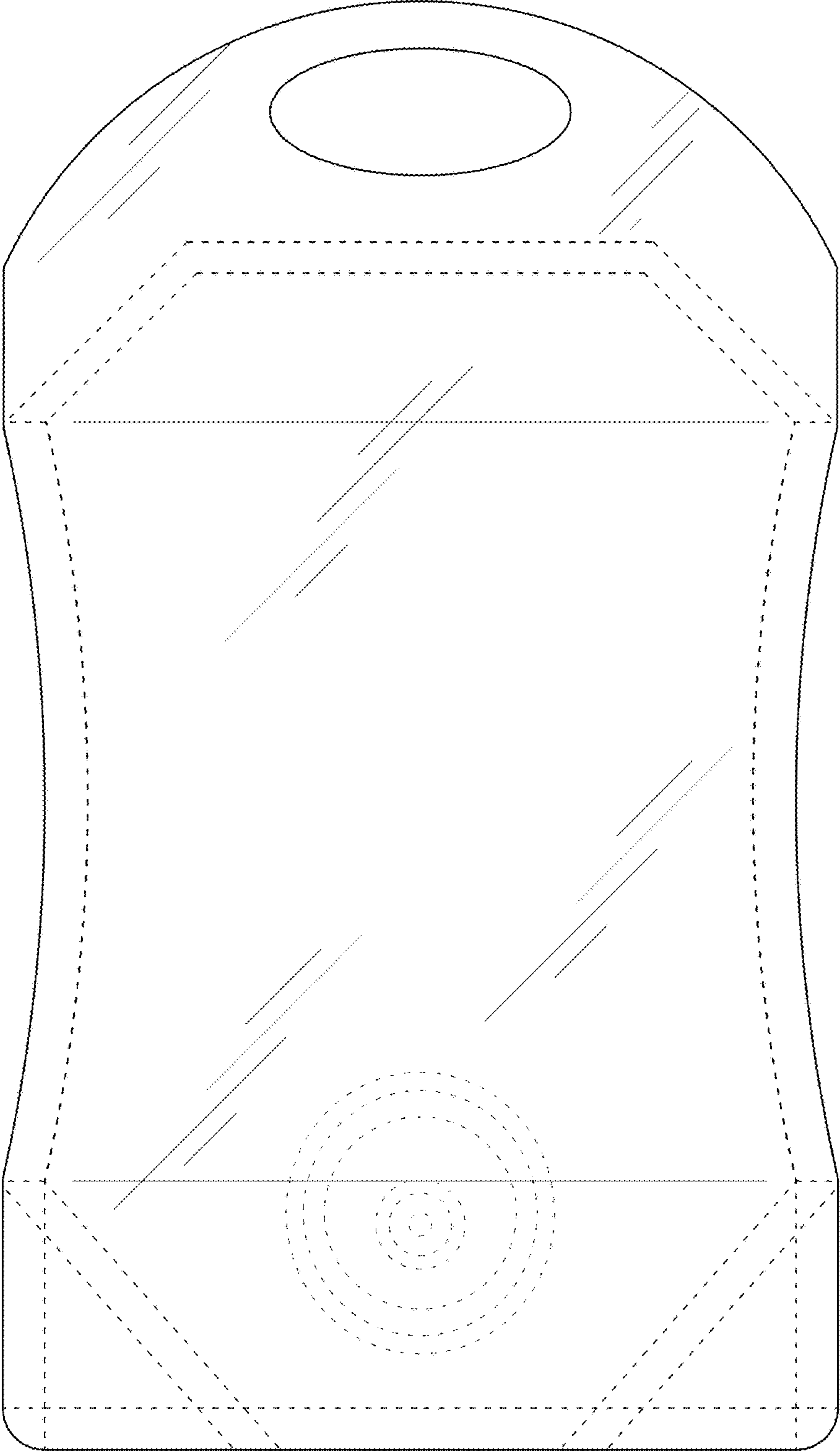


FIG. 3



FIG. 4

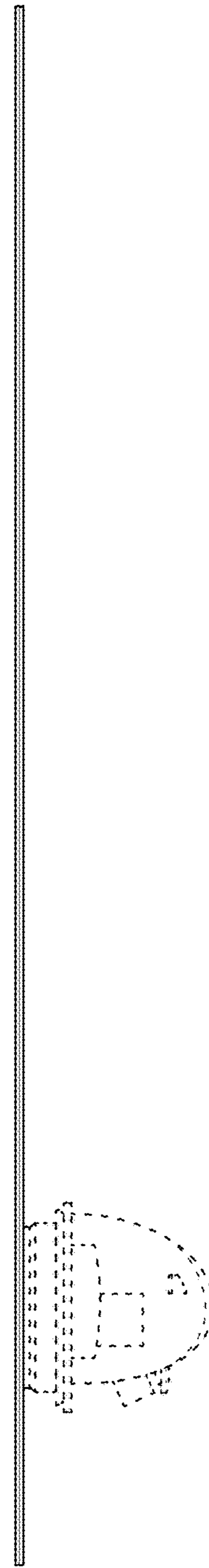


FIG. 5

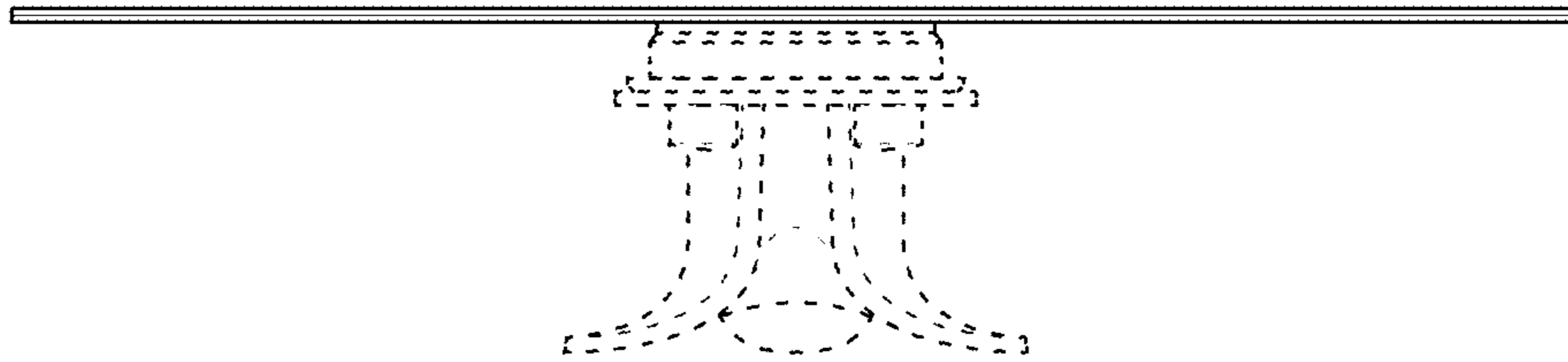


FIG. 6

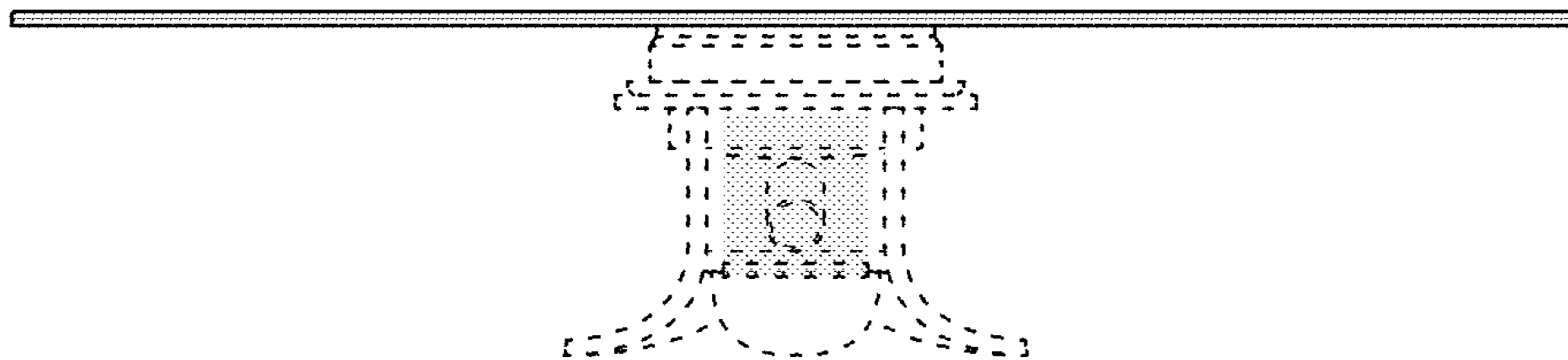


FIG. 7

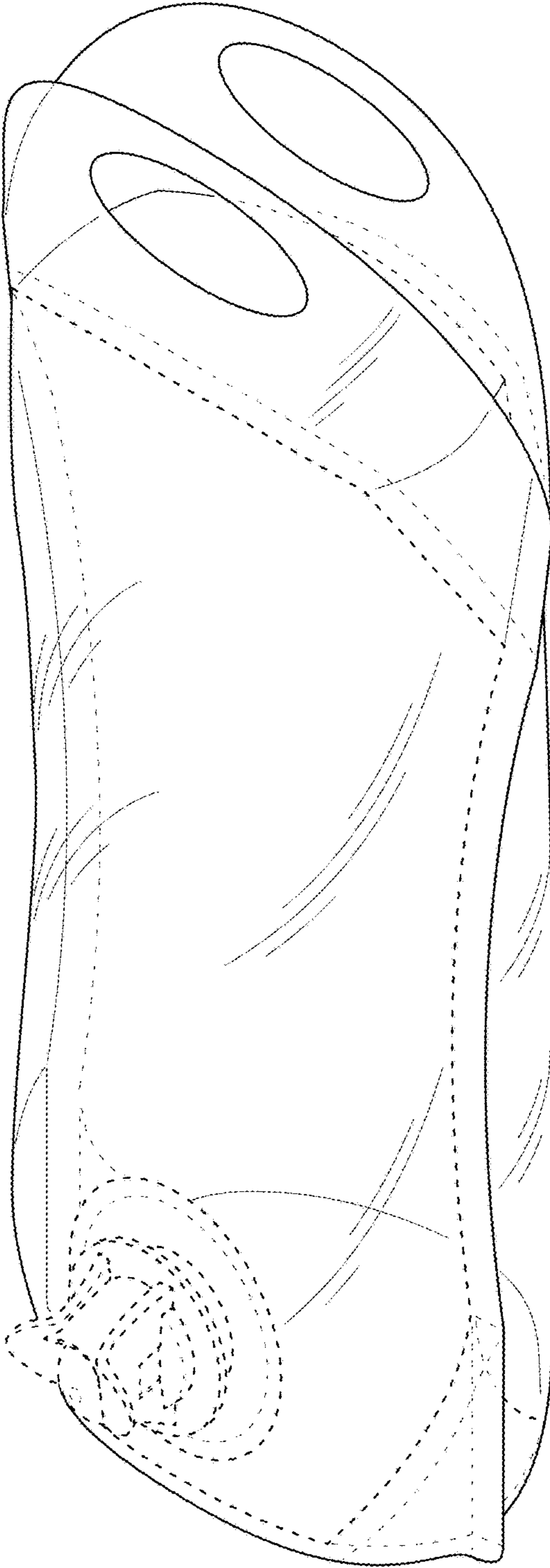


FIG. 8

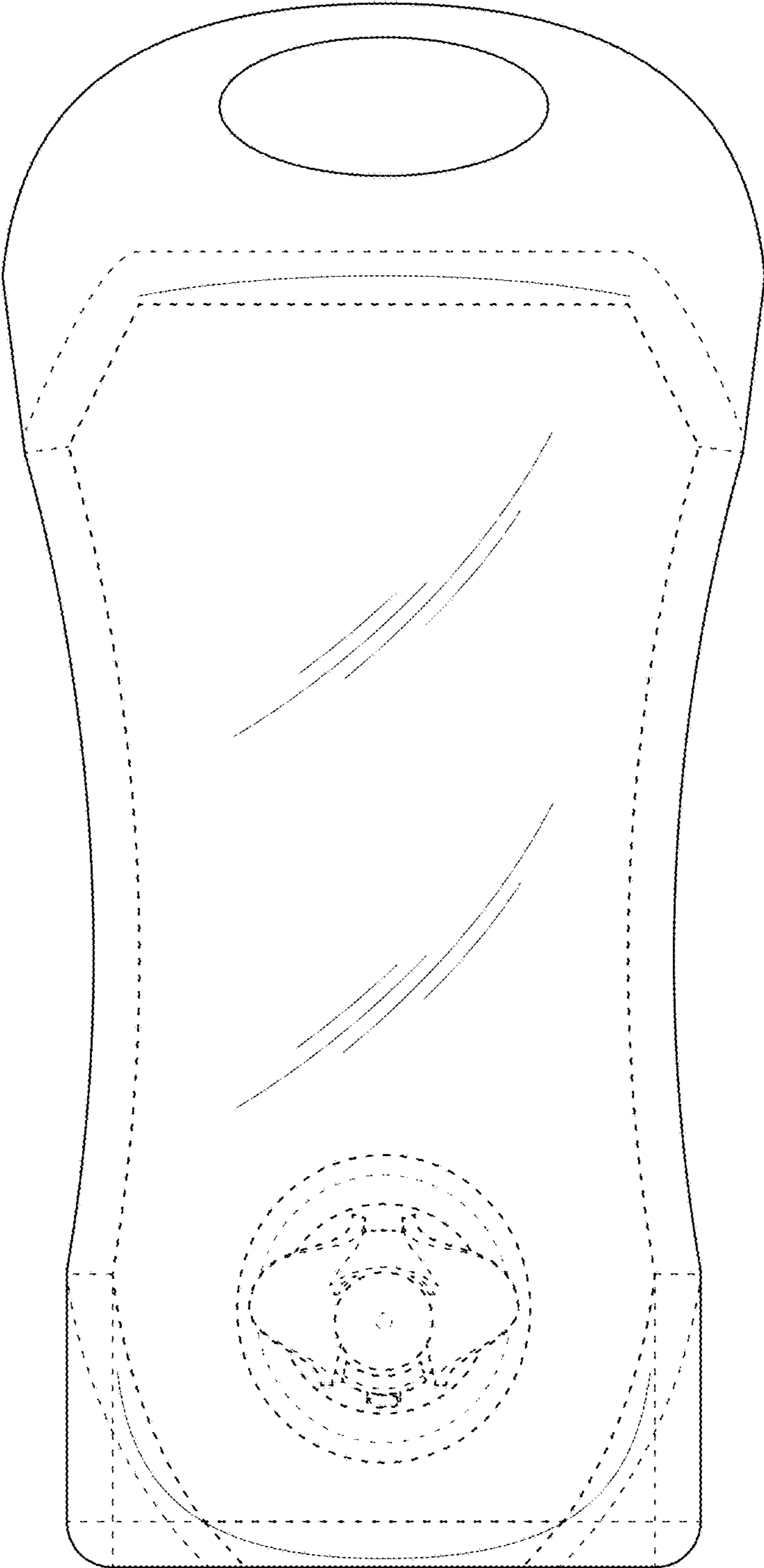


FIG. 9

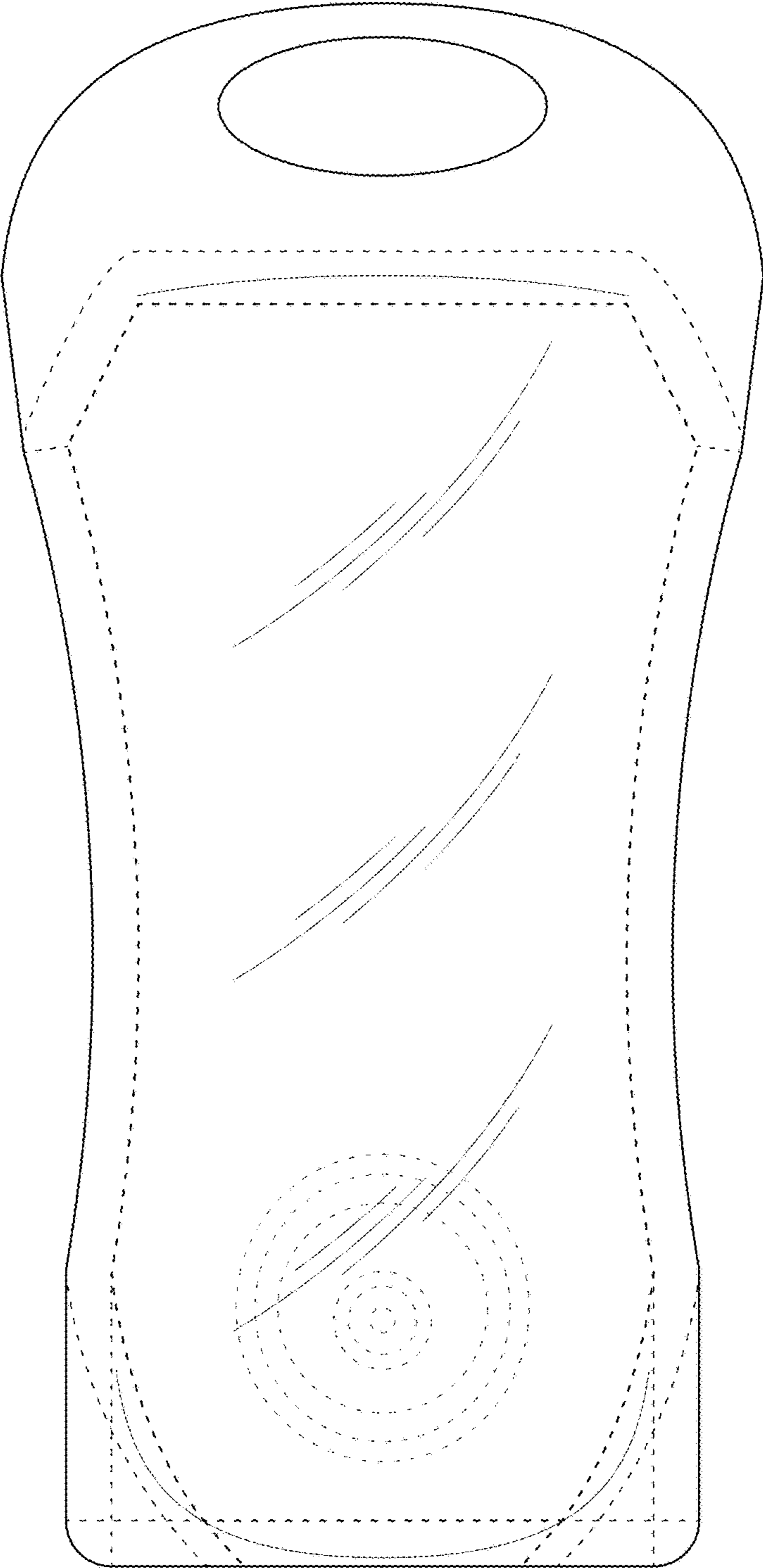


FIG. 10

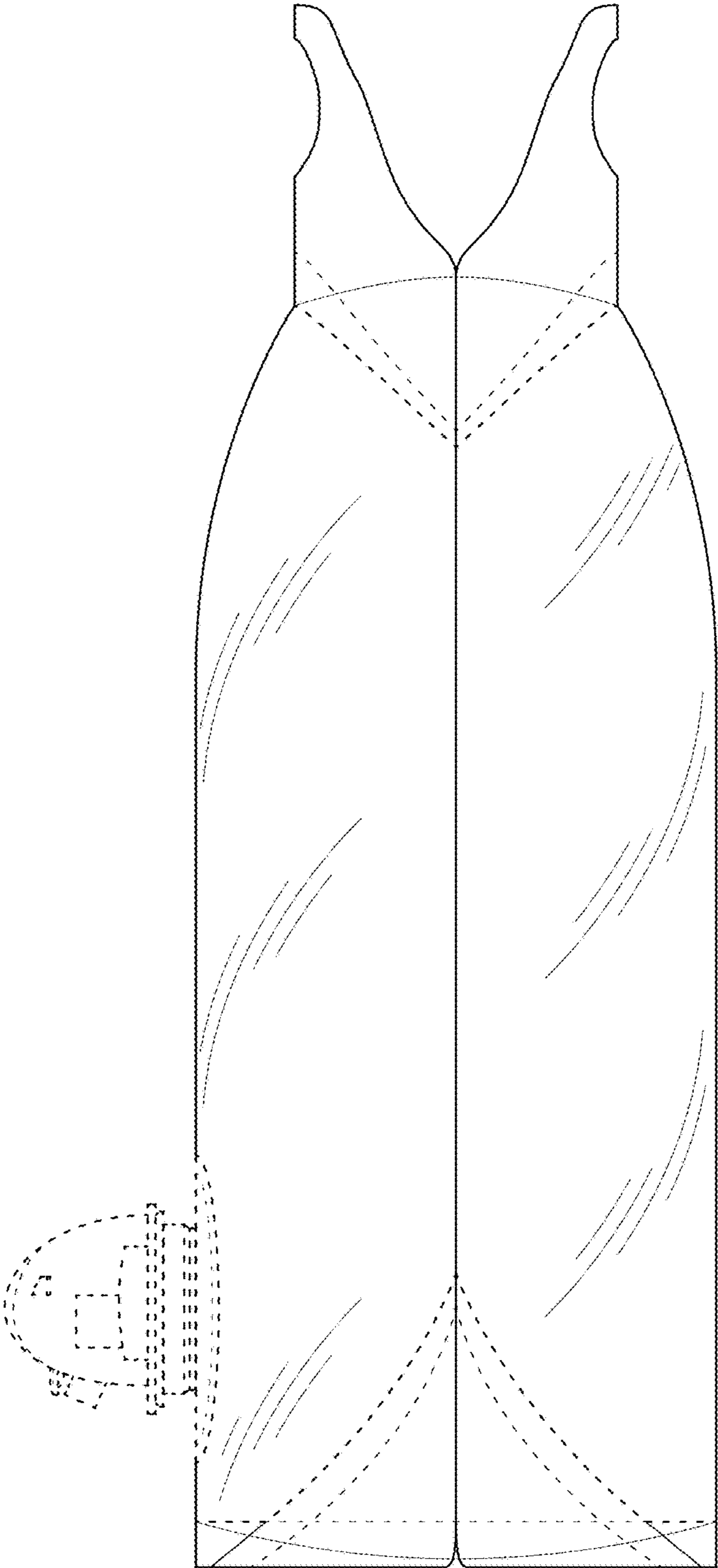


FIG. 11

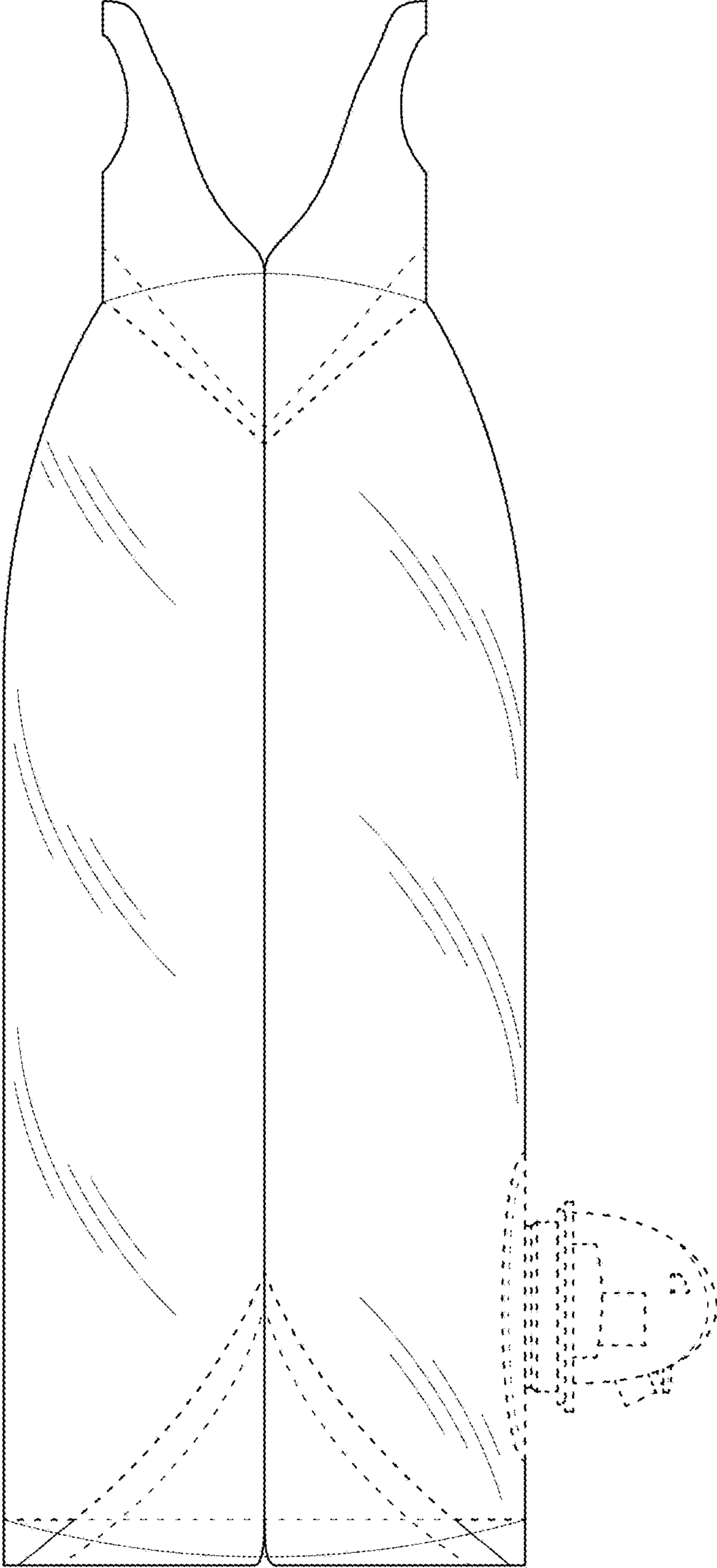


FIG. 12

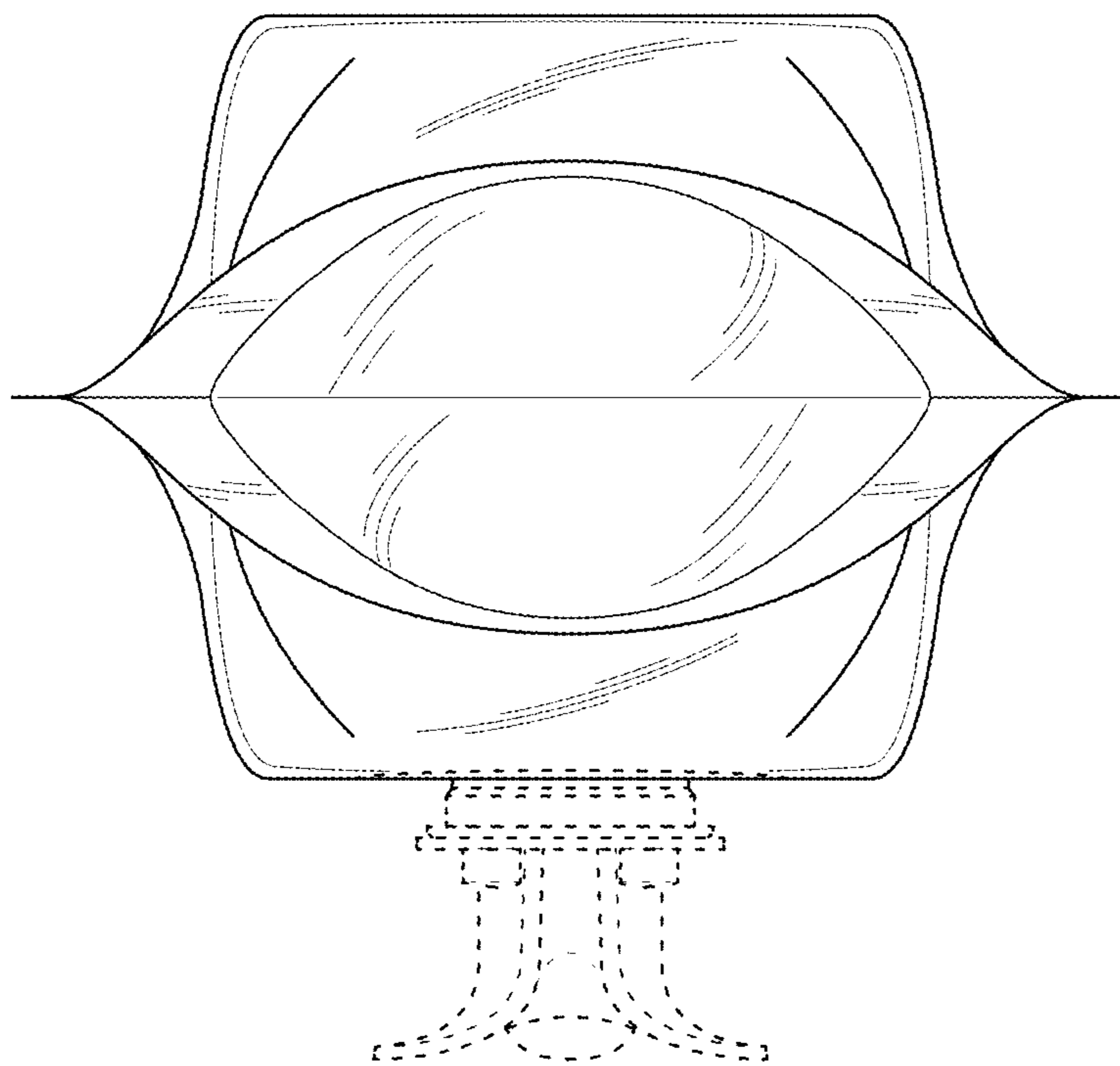


FIG. 13

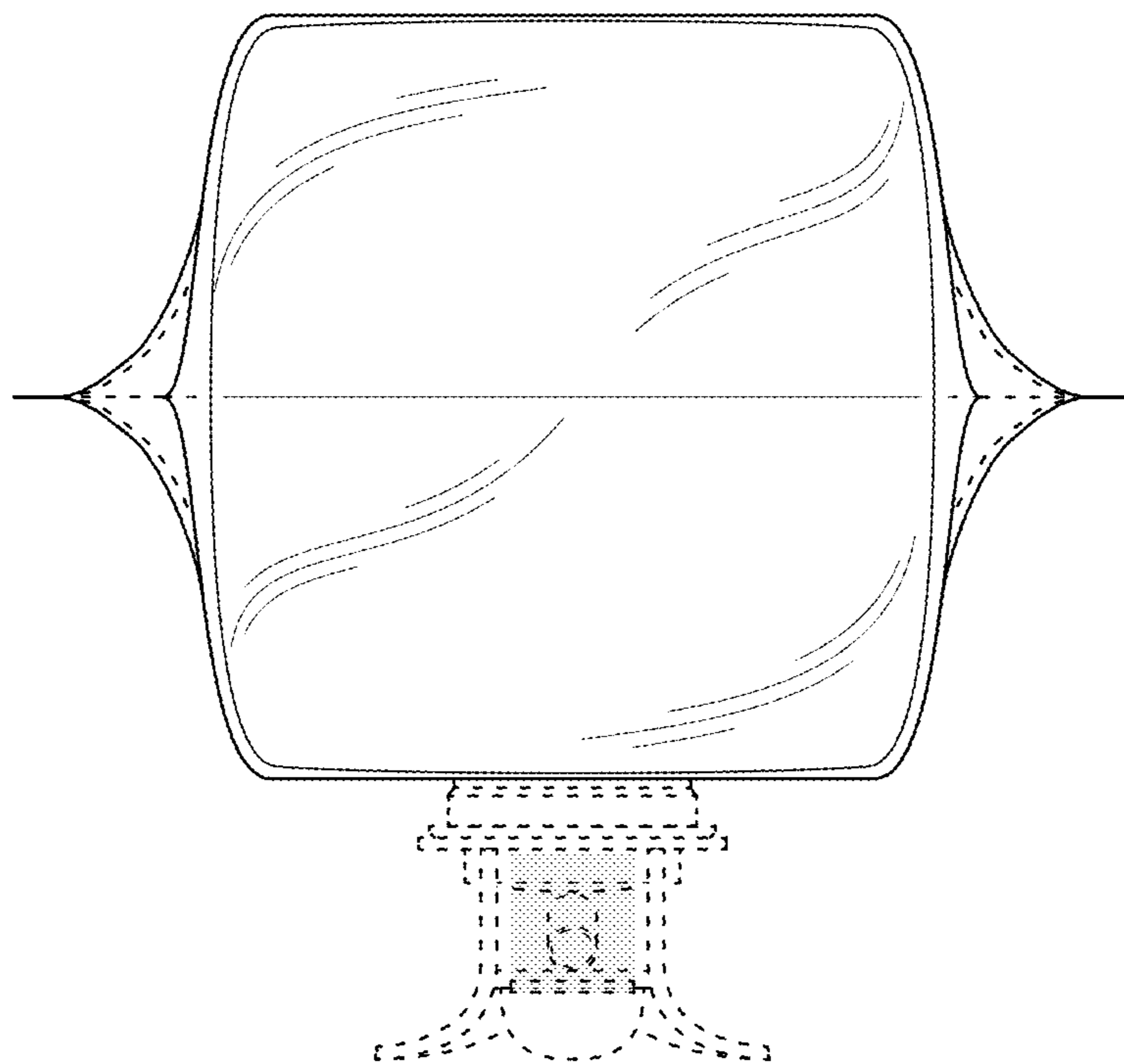


FIG. 14