



US00D838184S

(12) **United States Design Patent** (10) **Patent No.:** **US D838,184 S**  
**Riedel et al.** (45) **Date of Patent:** **\*\* \*Jan. 15, 2019**

(54) **CONTAINER WITH CAP**

vintage-fountain-pen-leaning-against-an-open-bottle-of-ink-on-a-48134748.html?pv=1&stamp=2&imageid=F5B0091C-B9C1-40E3-9032-86C14.\*

(71) Applicant: **TARGET BRANDS, INC.**,  
Minneapolis, MN (US)

(Continued)

(72) Inventors: **Richard P. Riedel**, Blaine, MN (US);  
**Timothy Martell**, Minneapolis, MN (US);  
**Michael M. Habig**, Cincinnati, OH (US);  
**Ryan P. McCoy**, Falcon Heights, MN (US);  
**Terrence J. Hornsby, Jr.**, Minneapolis, MN (US)

*Primary Examiner* — Karen S Acker  
*Assistant Examiner* — Omeed Agilee  
(74) *Attorney, Agent, or Firm* — JoAnn M. Seaton;  
Griffiths & Seaton PLLC

(73) Assignee: **TARGET BRANDS, INC.**,  
Minneapolis, MN (US)

(57) **CLAIM**  
The ornamental design for a container with cap, as shown and described.

(\*) Notice: This patent is subject to a terminal disclaimer.

(\*\*) Term: **15 Years**

(21) Appl. No.: **29/589,933**

(22) Filed: **Jan. 5, 2017**

(51) **LOC (11) Cl.** ..... **09-01**

(52) **U.S. Cl.**  
USPC ..... **D9/574**

(58) **Field of Classification Search**  
USPC ..... D9/434–435, 439, 447, 449, 450, 452,  
D9/454, 516, 520, 522–524, 528–531,  
(Continued)

(56) **References Cited**

**U.S. PATENT DOCUMENTS**

D94,101 S \* 12/1934 Spence ..... D9/556  
D203,360 S 12/1965 Becker  
(Continued)

**OTHER PUBLICATIONS**

A vintage fountain pen leaning against an open bottle of ink on a white background. Online, published date unknown. Retrieved on Nov. 14, 2017 from URL: <http://www.alamy.com/stock-photo-a->

**DESCRIPTION**

FIG. 1 is an exploded, top perspective view of a first embodiment of a container with cap showing our new design;  
FIG. 2 is an exploded, bottom perspective view thereof;  
FIG. 3 is a non-exploded, front view thereof, the rear view being a mirror image of the front view;  
FIG. 4 is a non-exploded, right side view thereof, the left side view being a mirror image of the right side view;  
FIG. 5 is a non-exploded, top view thereof; and  
FIG. 6 is a non-exploded, bottom view thereof.  
FIG. 7 is an exploded, top perspective view of a second embodiment of a container with cap showing our new design;  
FIG. 8 is an exploded, bottom perspective view thereof;  
FIG. 9 is a non-exploded, front view thereof, the rear view being a mirror image of the front view;  
FIG. 10 is a non-exploded, right side view thereof, the left side view being a mirror image of the right side view;  
FIG. 11 is a non-exploded, top view thereof; and  
FIG. 12 is a non-exploded, bottom view thereof.  
FIG. 13 is an exploded, top perspective view of a third embodiment of a container with cap showing our new design;  
FIG. 14 is an exploded, bottom perspective view thereof;  
FIG. 15 is a non-exploded, front view thereof, the rear view being a mirror image of the front view;  
FIG. 16 is a non-exploded, right side view thereof, the left side view being a mirror image of the right side view;  
(Continued)

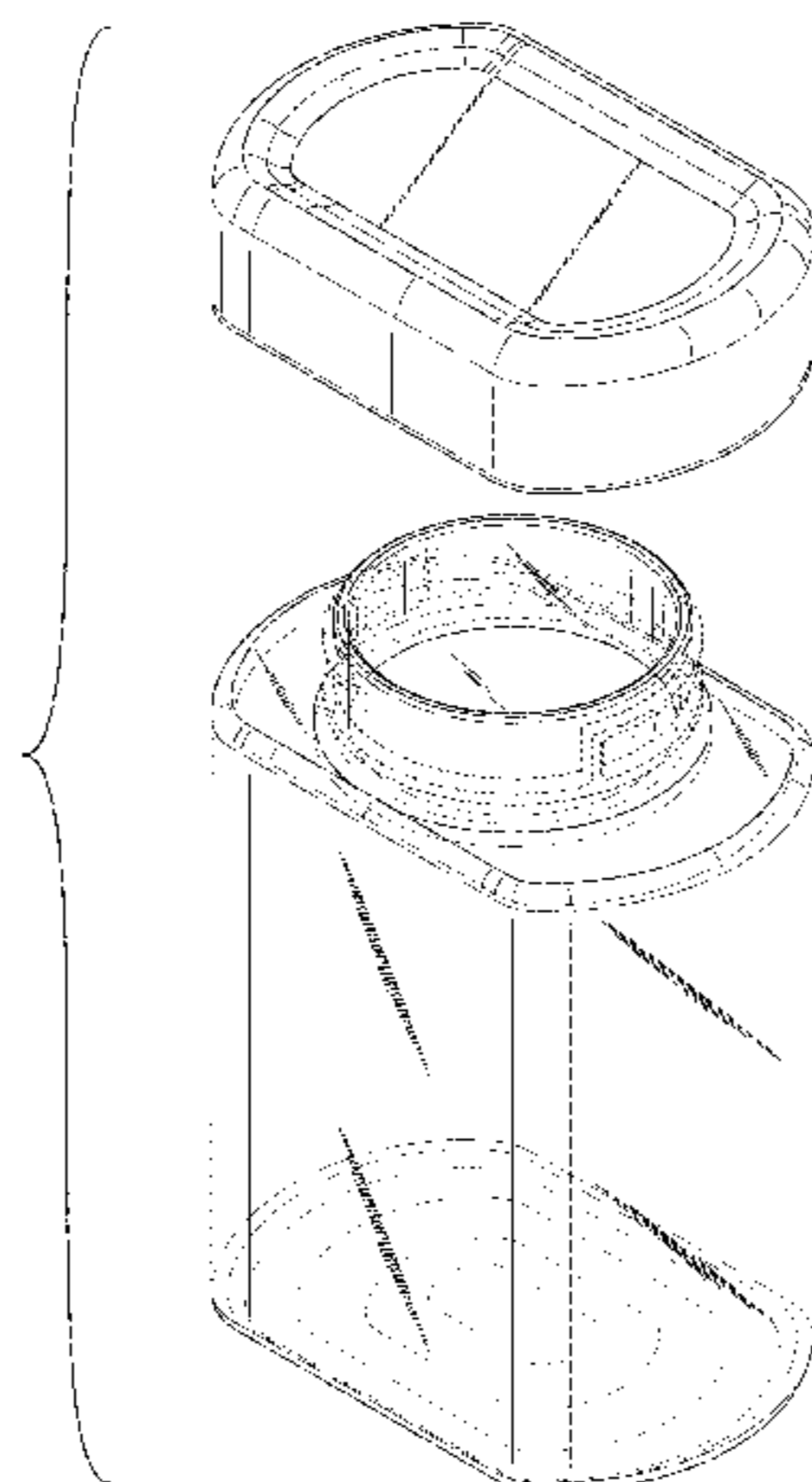


FIG. 17 is a non-exploded, top view thereof; and, FIG. 18 is a non-exploded, bottom view thereof. The evenly spaced broken lines and the areas within them depict portions of the container with cap that form no part of the claimed design. The long dash-short dash broken lines depict the boundaries of the claim and form no part thereof.

**1 Claim, 14 Drawing Sheets**

(58) **Field of Classification Search**

USPC ..... D9/541-544, 549-551, 558-560, 563, D9/565-566, 571-575, 682, 686, 687, D9/693-694, 715, 719; D7/300, 300.1, D7/316, 317, 598; D23/211, 225  
CPC ... B65D 1/00; B65D 1/02; B65D 1/12; B65D 1/18; B65D 1/20; B65D 1/0223; B65D 23/00; B65D 21/0237; B65D 2501/0009; B65D 2501/0081

See application file for complete search history.

(56) **References Cited**

U.S. PATENT DOCUMENTS

|           |     |         |                  |        |
|-----------|-----|---------|------------------|--------|
| 4,832,220 | A   | 5/1989  | Quennessen       |        |
| D301,837  | S   | 6/1989  | Peterson et al.  |        |
| D334,143  | S   | 3/1993  | Rothfos          |        |
| D363,028  | S   | 10/1995 | Mansau           |        |
| 5,699,925 | A   | 12/1997 | Petruzzi         |        |
| D398,241  | S   | 9/1998  | Krebs            |        |
| D484,797  | S   | 1/2004  | Kipperman et al. |        |
| D520,877  | S   | 5/2006  | Toth et al.      |        |
| D521,380  | S * | 5/2006  | Jackson          | D9/425 |
| D523,344  | S   | 6/2006  | Toth et al.      |        |
| D529,387  | S   | 10/2006 | Toth et al.      |        |
| D537,724  | S   | 3/2007  | Toth et al.      |        |
| D540,688  | S * | 4/2007  | Lascaux          | D9/560 |
| D541,163  | S   | 4/2007  | Altonen et al.   |        |
| D551,970  | S   | 10/2007 | Didier           |        |
| D562,151  | S   | 2/2008  | Larocca et al.   |        |
| D563,228  | S * | 3/2008  | Nottingham       | D9/531 |
| D563,795  | S * | 3/2008  | Canamasas Puigbo | D9/573 |
| D568,739  | S   | 5/2008  | Darr             |        |
| D577,292  | S   | 9/2008  | Moretti          |        |
| D577,600  | S   | 9/2008  | Kim et al.       |        |
| D579,784  | S * | 11/2008 | Varlet           | D9/544 |
| D585,754  | S   | 2/2009  | McGregor et al.  |        |
| D587,589  | S * | 3/2009  | Varlet           | D9/558 |

|              |      |         |                  |           |
|--------------|------|---------|------------------|-----------|
| D598,296     | S    | 8/2009  | Serrano Diaz     |           |
| D604,630     | S *  | 11/2009 | Canamasas Puigbo | D9/560    |
| D613,177     | S *  | 4/2010  | Lee              | D9/520    |
| D621,224     | S    | 8/2010  | Wang Chen        |           |
| D625,911     | S    | 10/2010 | Lee et al.       |           |
| D627,656     | S    | 11/2010 | Wendt            |           |
| D630,100     | S *  | 1/2011  | Wanet            | D9/544    |
| D635,031     | S *  | 3/2011  | Themann          | D9/520    |
| D639,667     | S    | 6/2011  | Bogert et al.    |           |
| D646,581     | S    | 10/2011 | Baron            |           |
| D664,849     | S    | 8/2012  | Fracasso         |           |
| D677,572     | S *  | 3/2013  | Papiernik        | D9/420    |
| D684,824     | S    | 6/2013  | Sweet et al.     |           |
| D704,245     | S    | 5/2014  | Kim et al.       |           |
| D712,746     | S    | 9/2014  | Widdison         |           |
| D732,394     | S    | 6/2015  | DeMarco et al.   |           |
| D742,756     | S *  | 11/2015 | DeVore           | D9/565    |
| D747,969     | S    | 1/2016  | Baron et al.     |           |
| D756,234     | S *  | 5/2016  | Orset            | D9/560    |
| D757,560     | S    | 5/2016  | Venturini Fendi  |           |
| D764,928     | S    | 8/2016  | Staab            |           |
| D766,093     | S *  | 9/2016  | Otani            | D9/452    |
| D767,405     | S *  | 9/2016  | Orset            | D9/453    |
| 9,511,890    | B2 * | 12/2016 | Gill             | B65D 1/10 |
| D788,593     | S *  | 6/2017  | Dalton           | D9/560    |
| 2016/0083280 | A1   | 3/2016  | Sato et al.      |           |

OTHER PUBLICATIONS

Sanford's Tug Boat Ink Bottle. Online, published date unknown. Retrieved on Nov. 14, 2017 from URL: <http://www.marthasvintageattic.com/ink-bottles-and-inkwells/sanfords-tug-boat-ink-bottle-vintage/>.\*  
A vintage fountain pen leaning against an open bottle of ink on a white background. Online, published date unknown. Retrieved on Nov. 14, 2017 from URL: <http://www.alamy.com/stock-photo-a-vintage-fountain-pen-leaning-against-an-open-bottle-of-ink-on-a-48134748.html?pv=1&stamp=2&imageid=F5B0091C-B9C1-40E3-9032-86C1477>.  
Sanford's Tug Boat Ink Bottle. Online, published date unknown. Retrieved Nov. 14, 2017 from URL: <http://www.marthasvintageattic.com/ink-bottles-and-inkwells/sanfords-tug-boat-ink-bottle-vintage/>.  
U.S. Appl. No. 29/589,929, filed Jan. 5, 2017 (95 pages).  
U.S. Appl. No. 29/589,931, filed Jan. 5, 2017 (58 pages).  
U.S. Appl. No. 20/589,930, filed Jan. 5, 2017 (95 pages).  
"Lock Ups", printed from [www.containerstore.com/s/gift-packaging/containers/boxes/lock-ups/123d?productId=10028612](http://www.containerstore.com/s/gift-packaging/containers/boxes/lock-ups/123d?productId=10028612), publicly available at least as early as Aug. 18, 2016 (4 pages).  
Photographs of CVS Health Packaged Vitamins publicly available at least as early as Oct. 31, 2016 (1 page).

\* cited by examiner

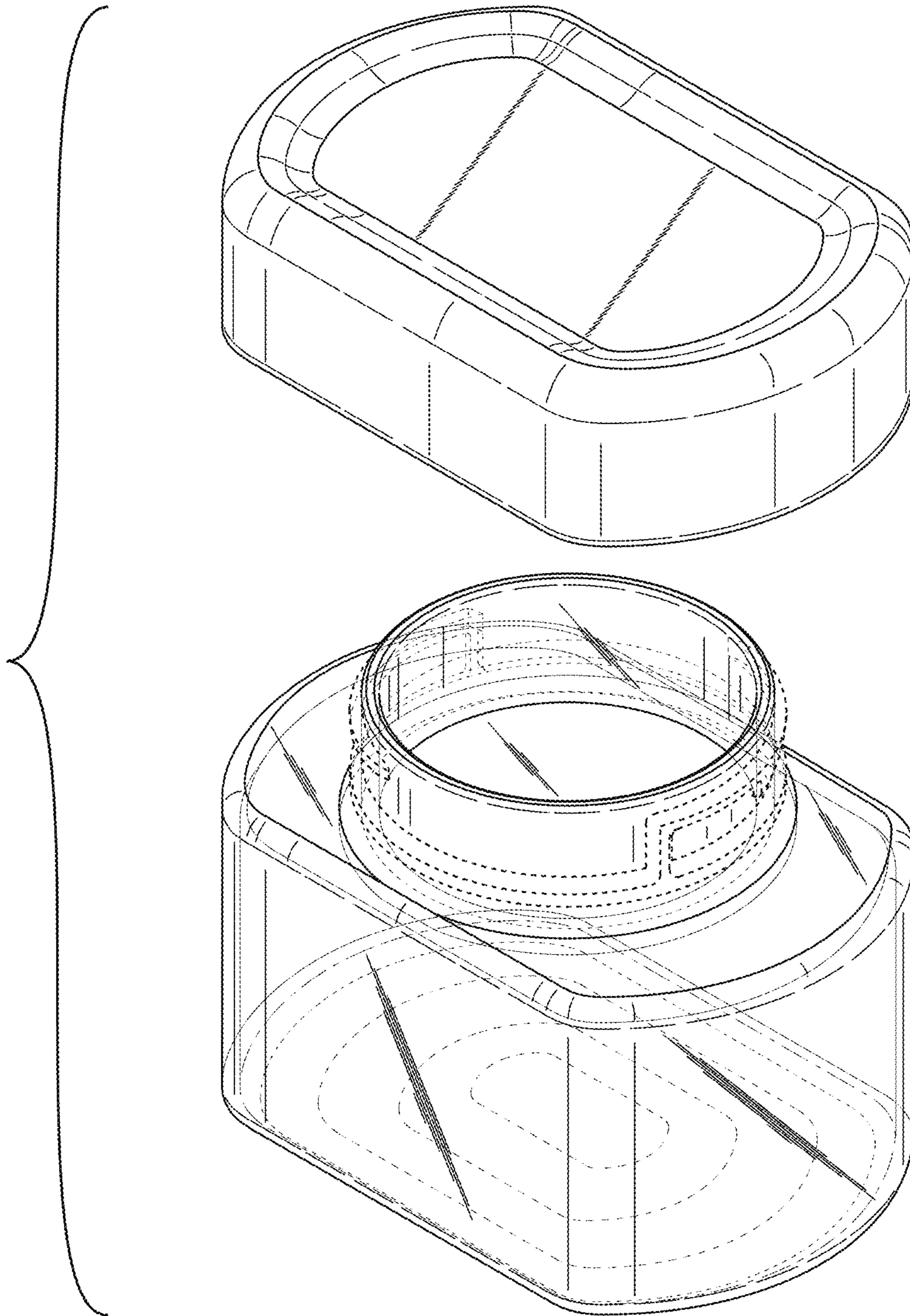


FIG. 1

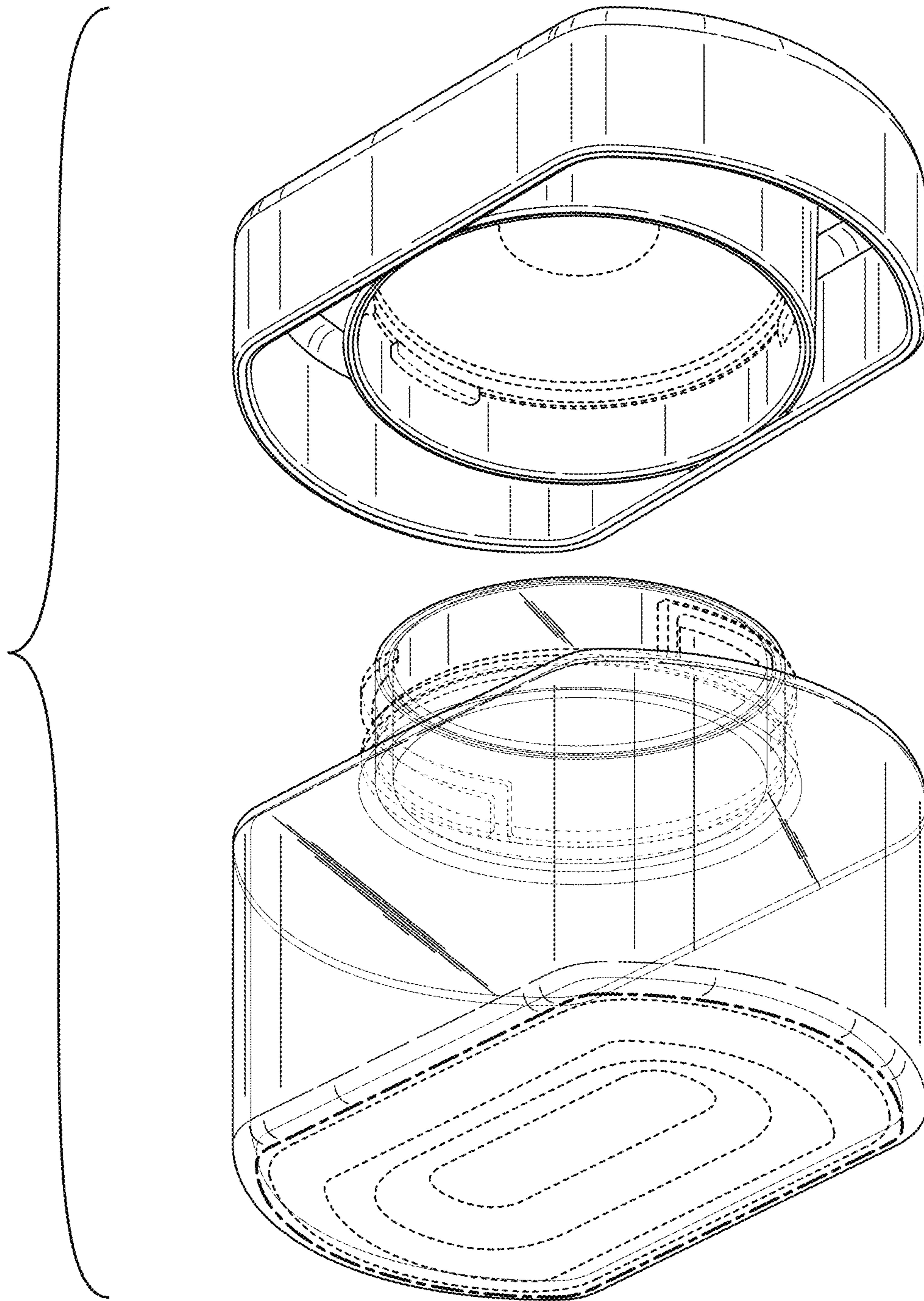


FIG. 2

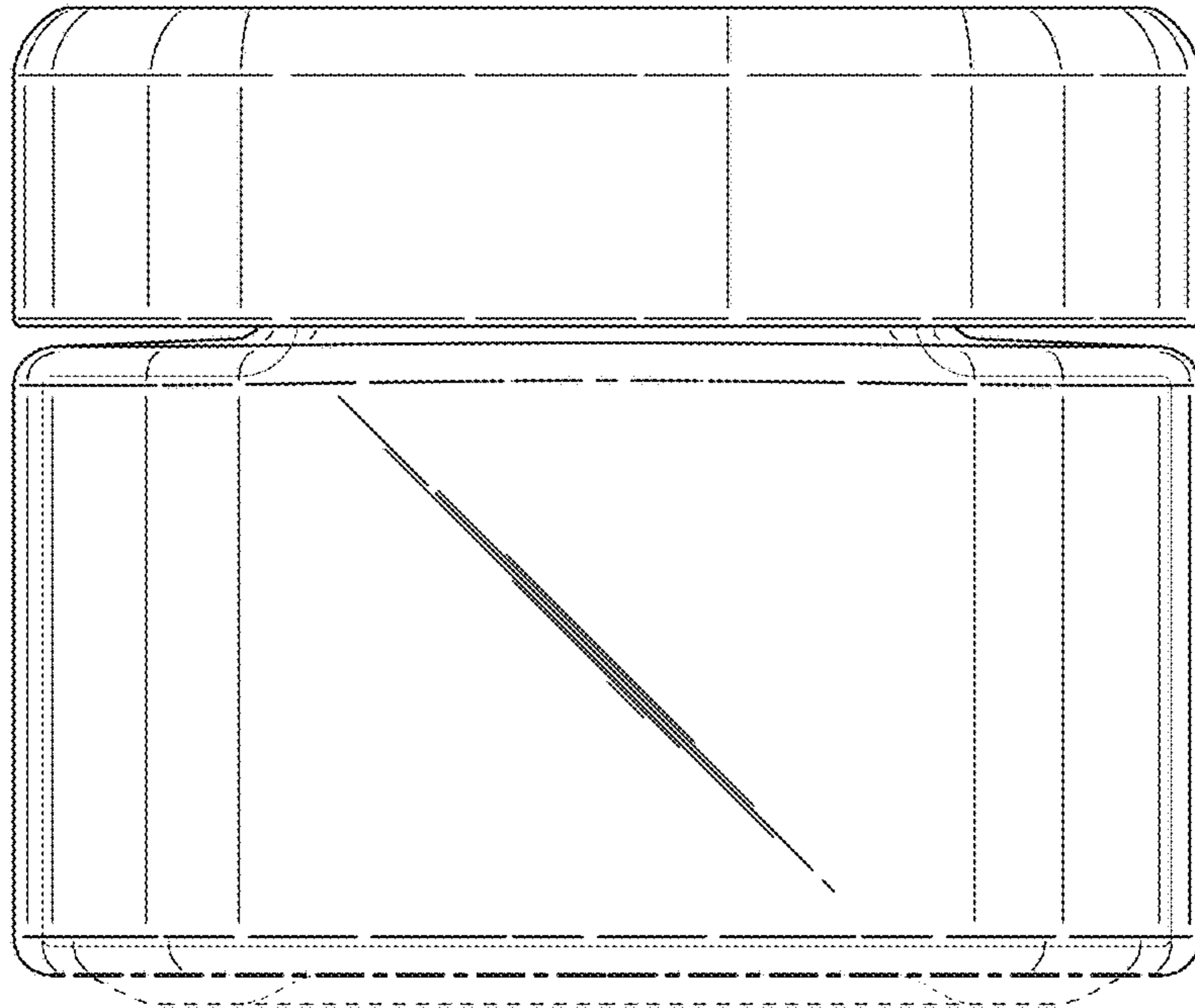


FIG. 3

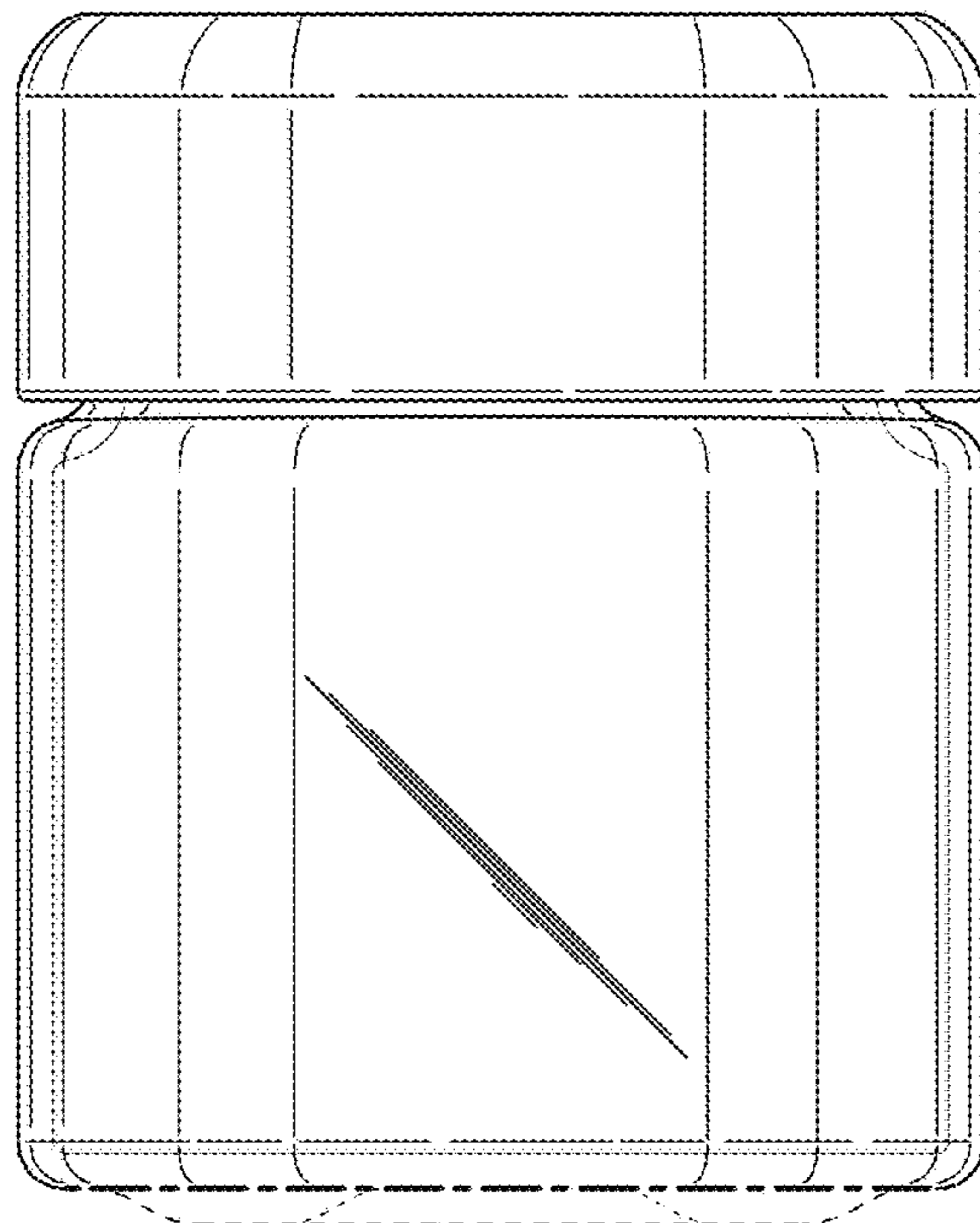
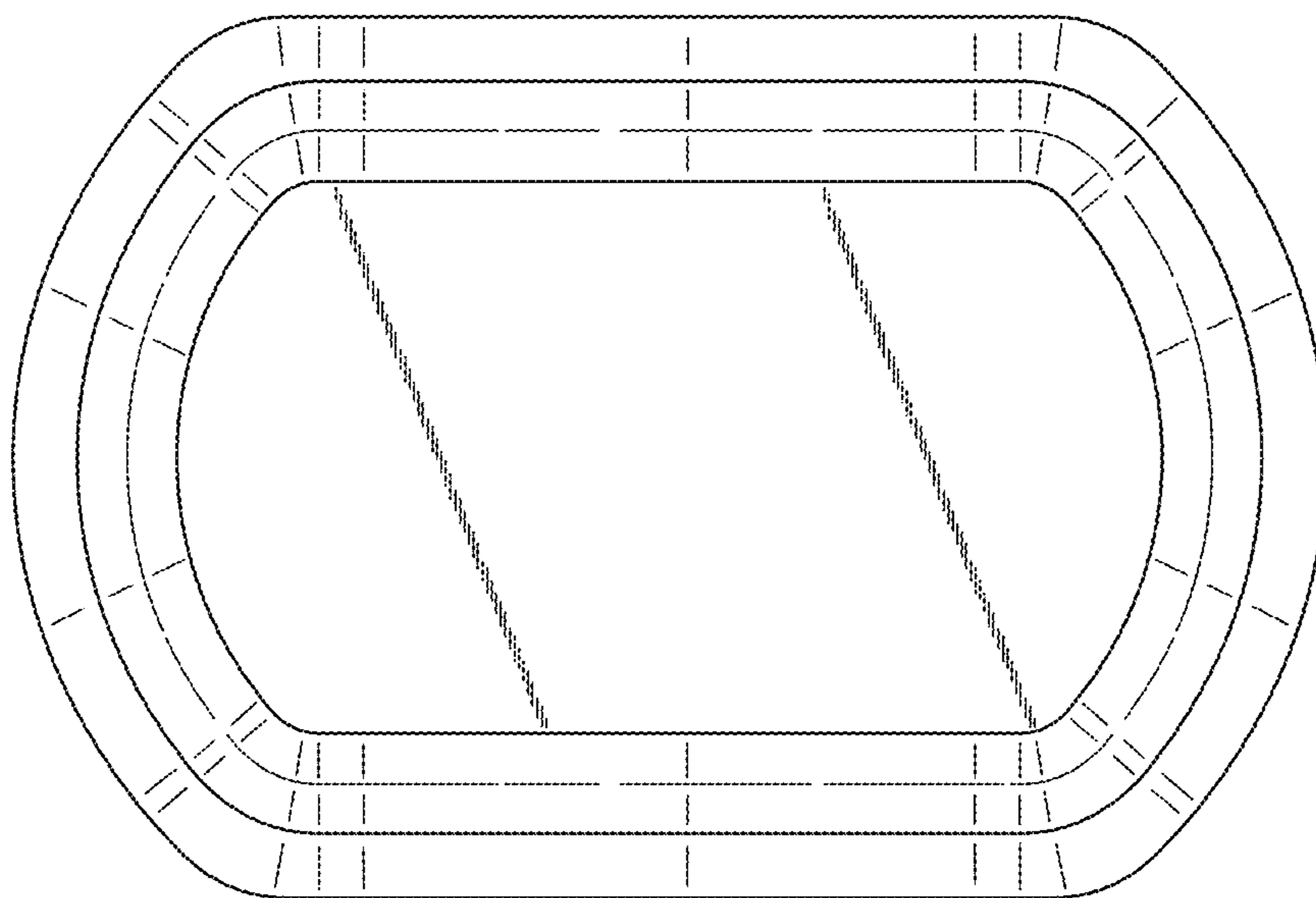
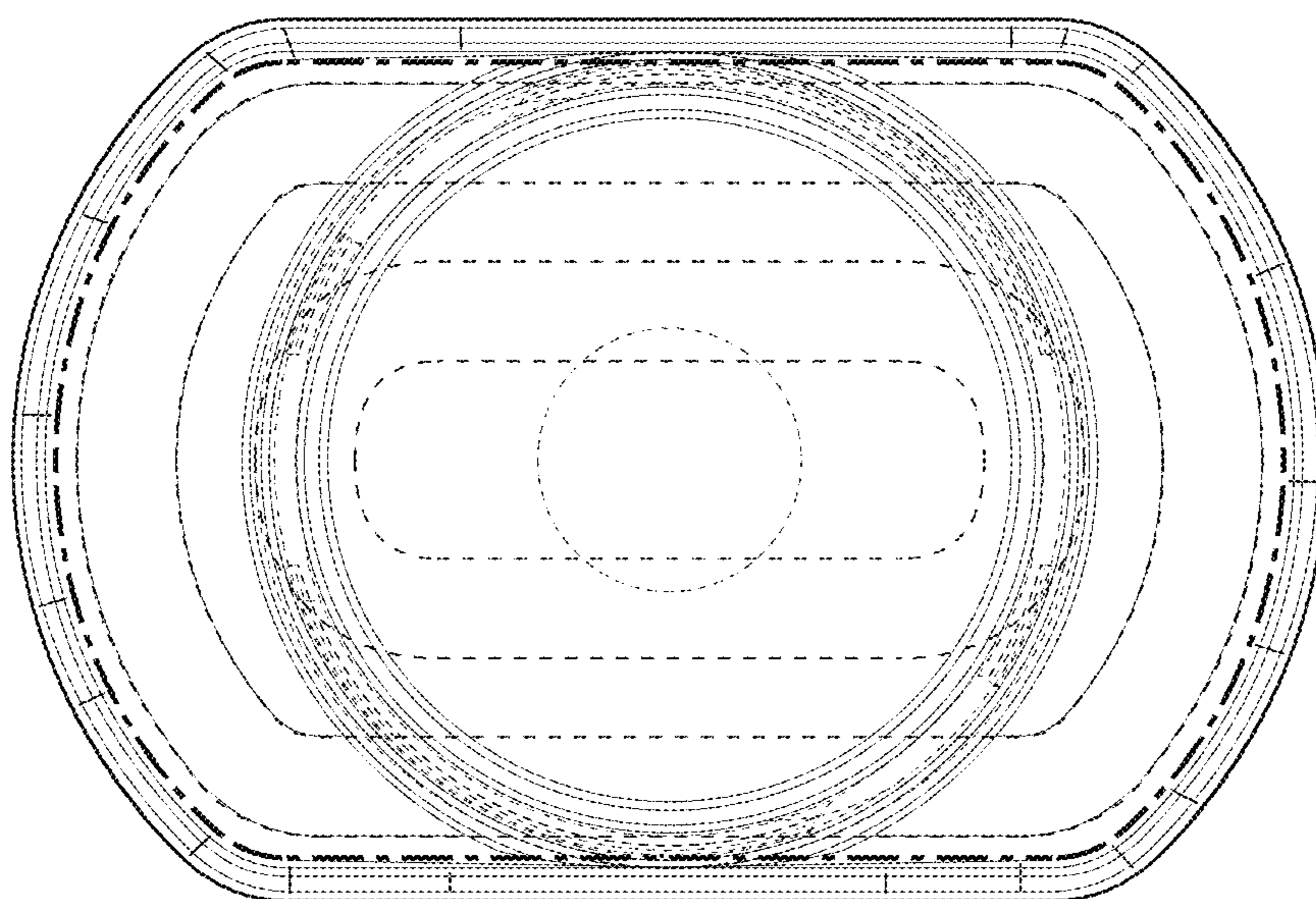


FIG. 4



**FIG. 5**



**FIG. 6**

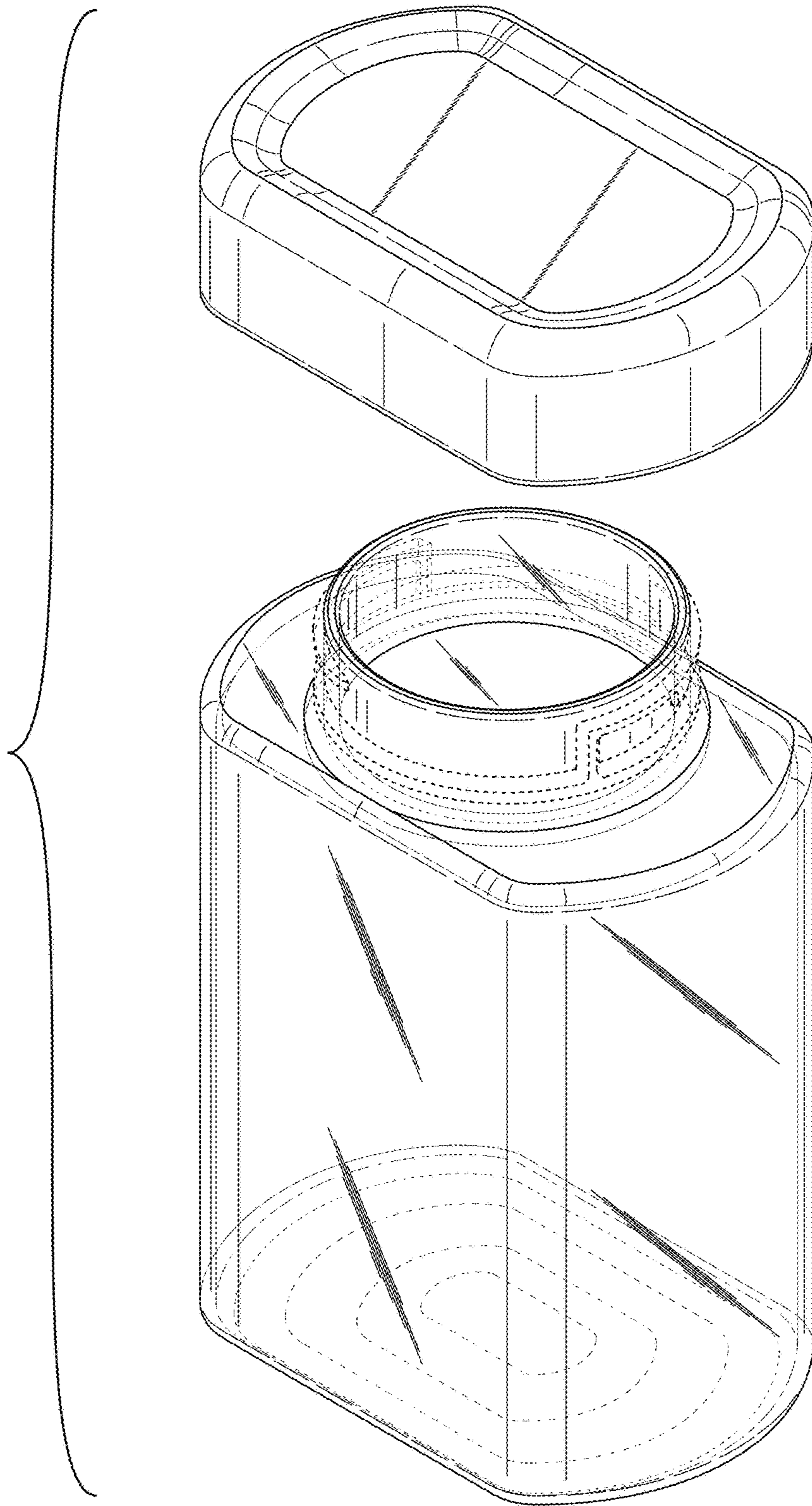


FIG. 7

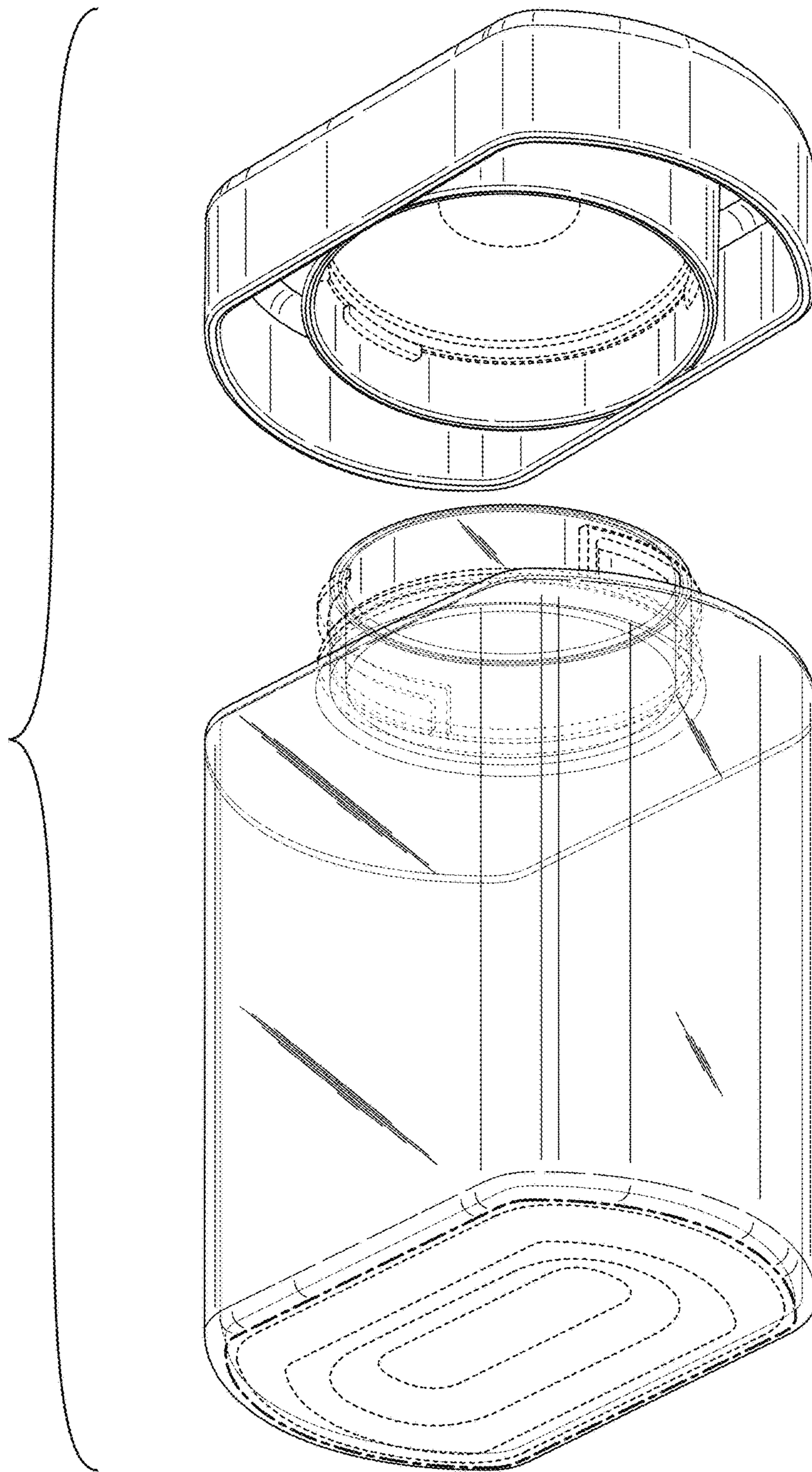
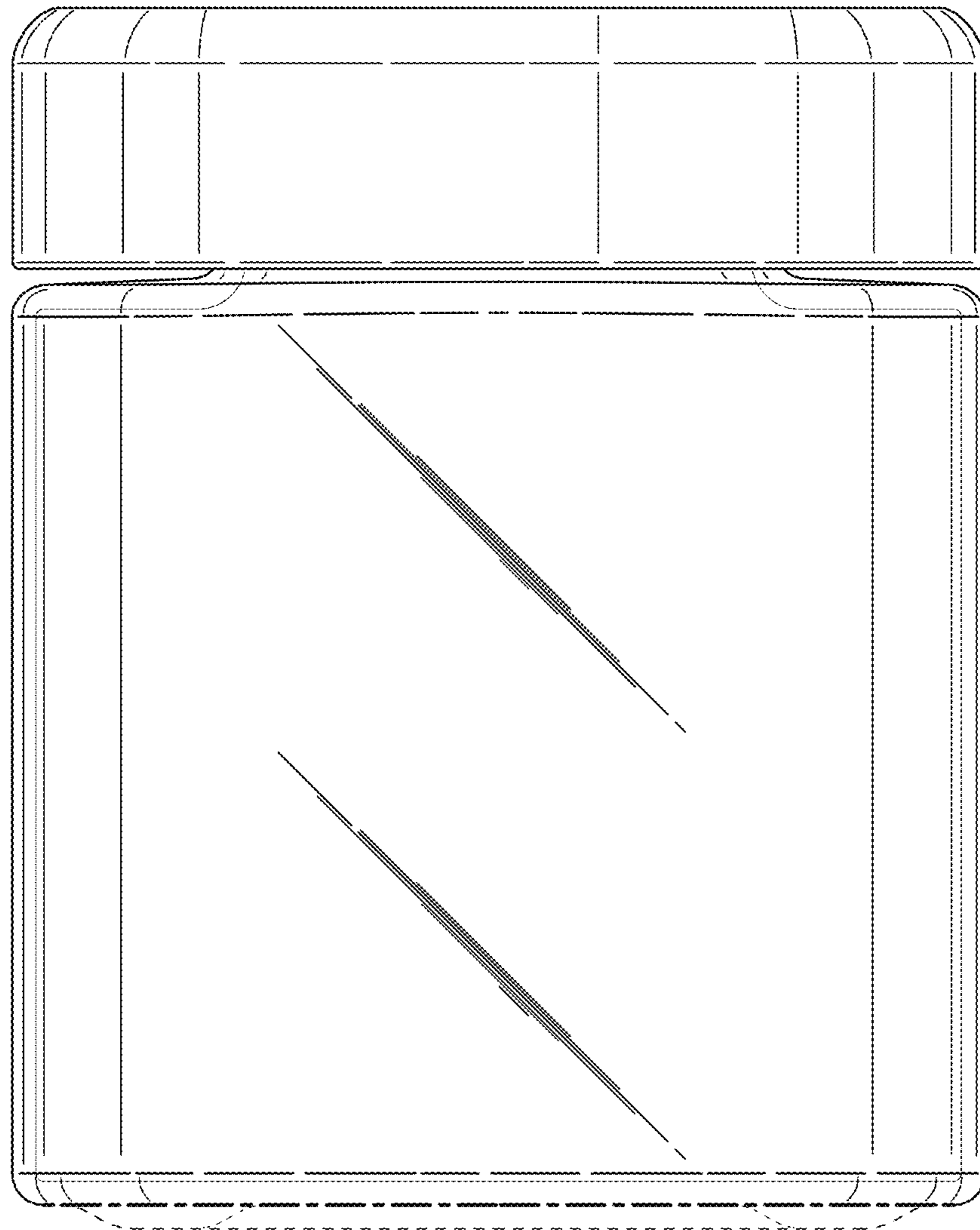


FIG. 8





**FIG. 9**

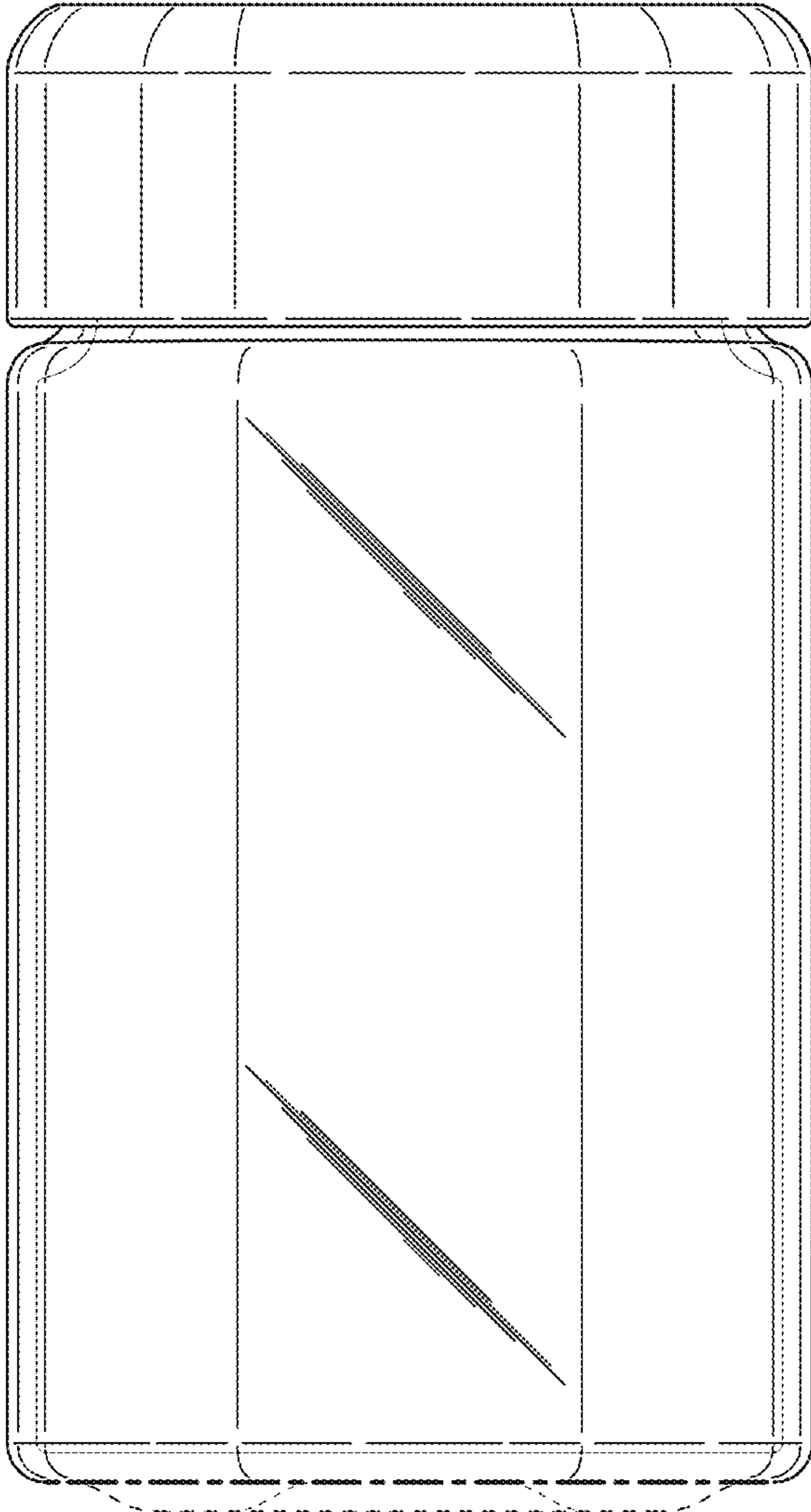
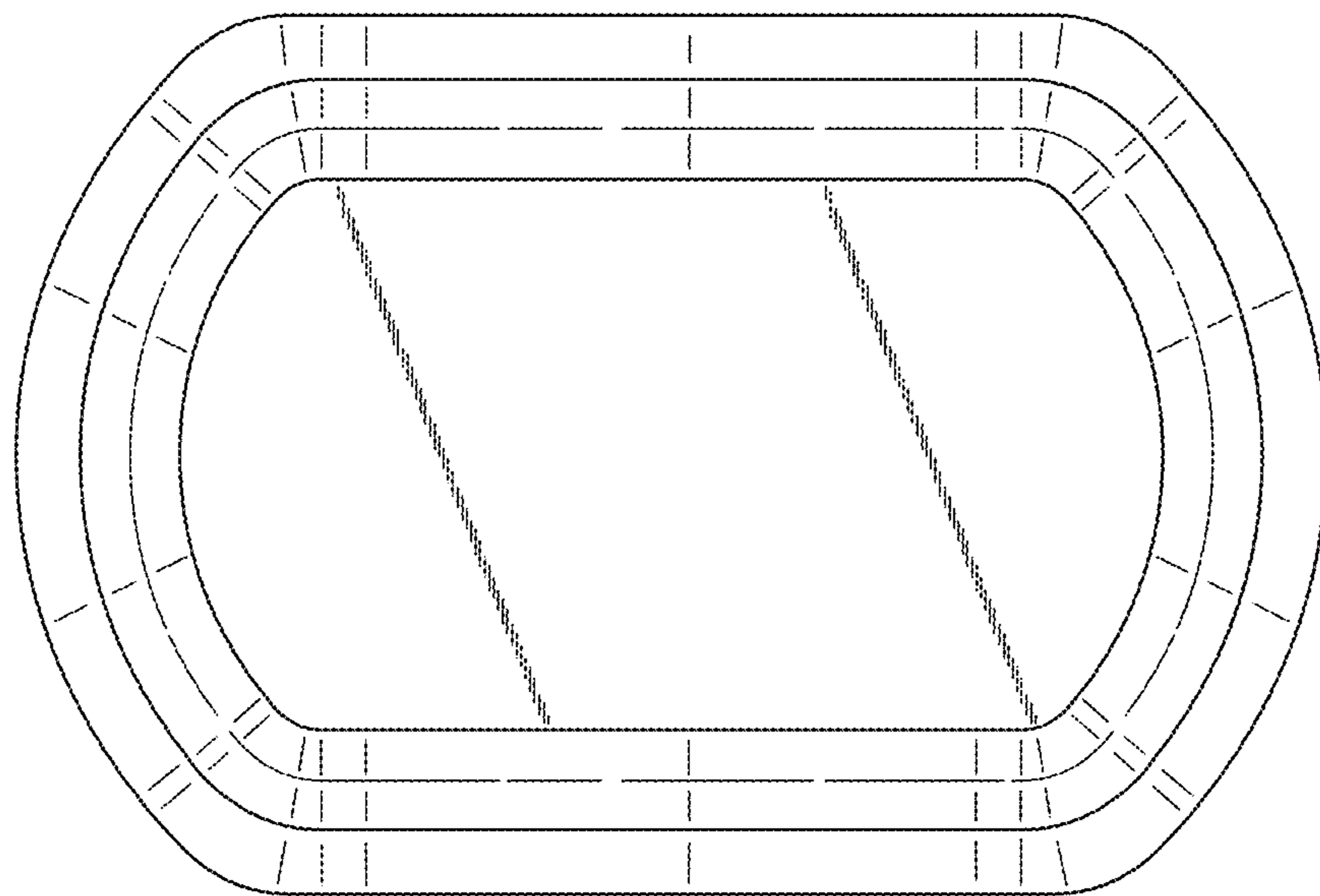
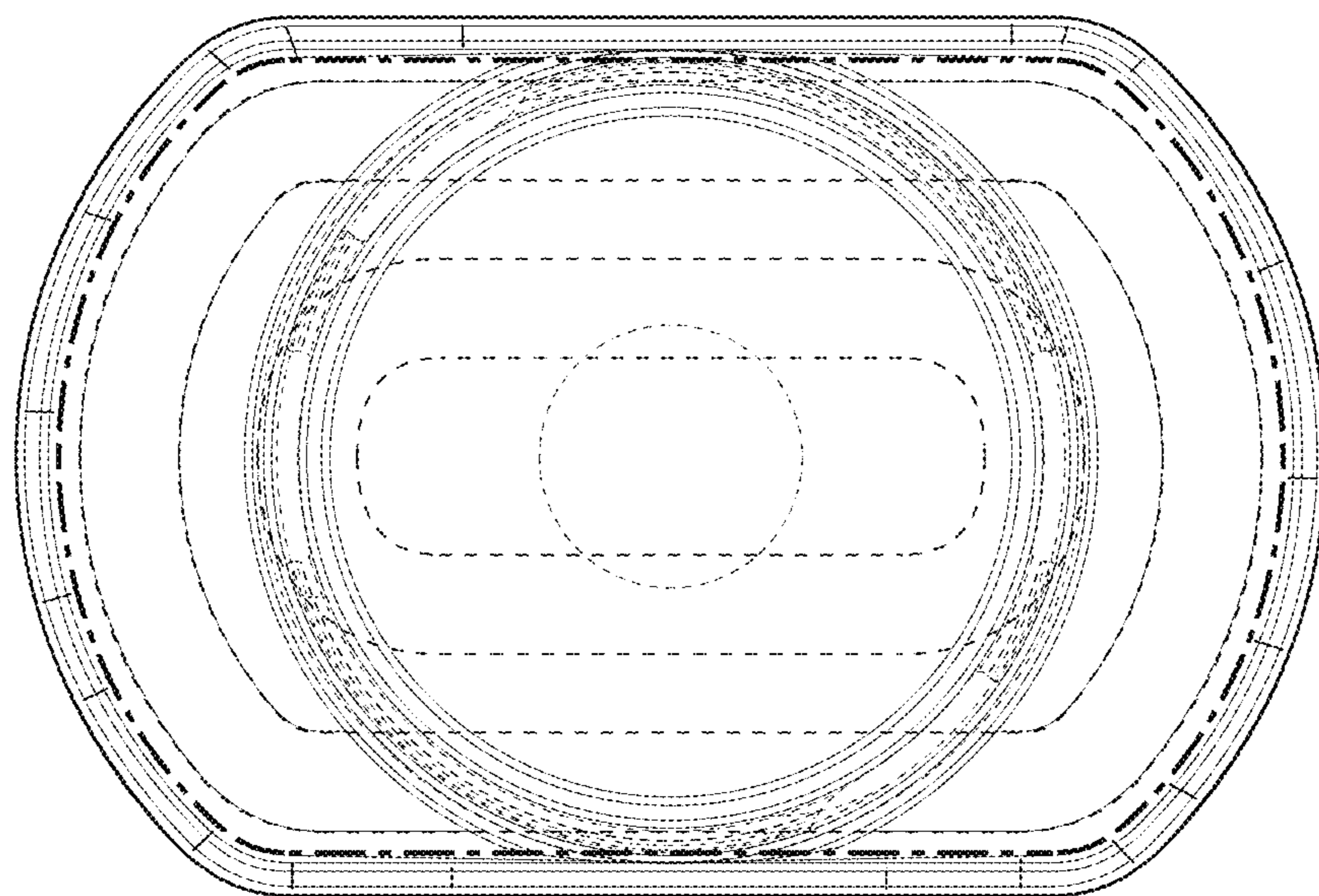


FIG. 10



**FIG. 11**



**FIG. 12**

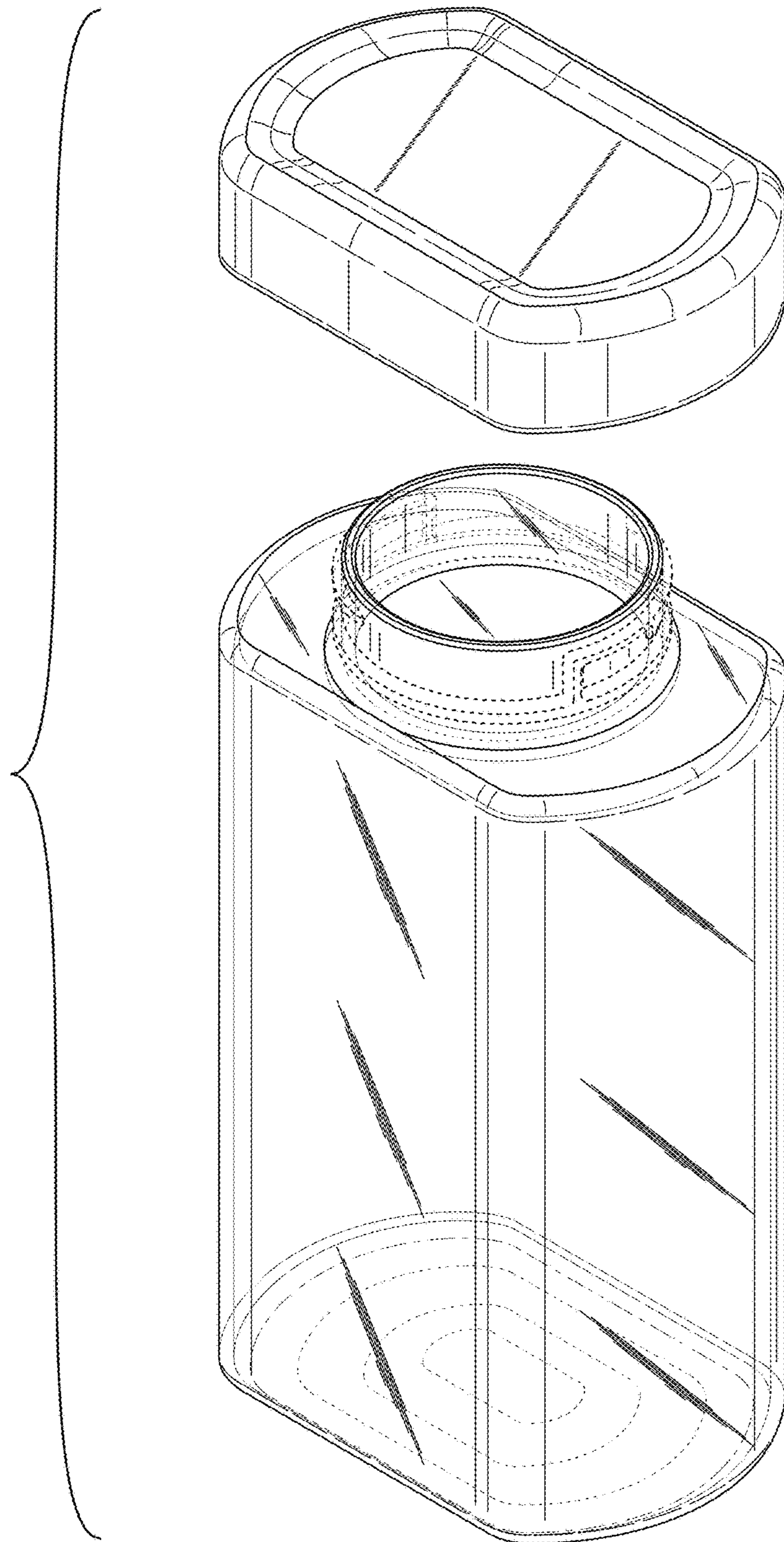


FIG. 13

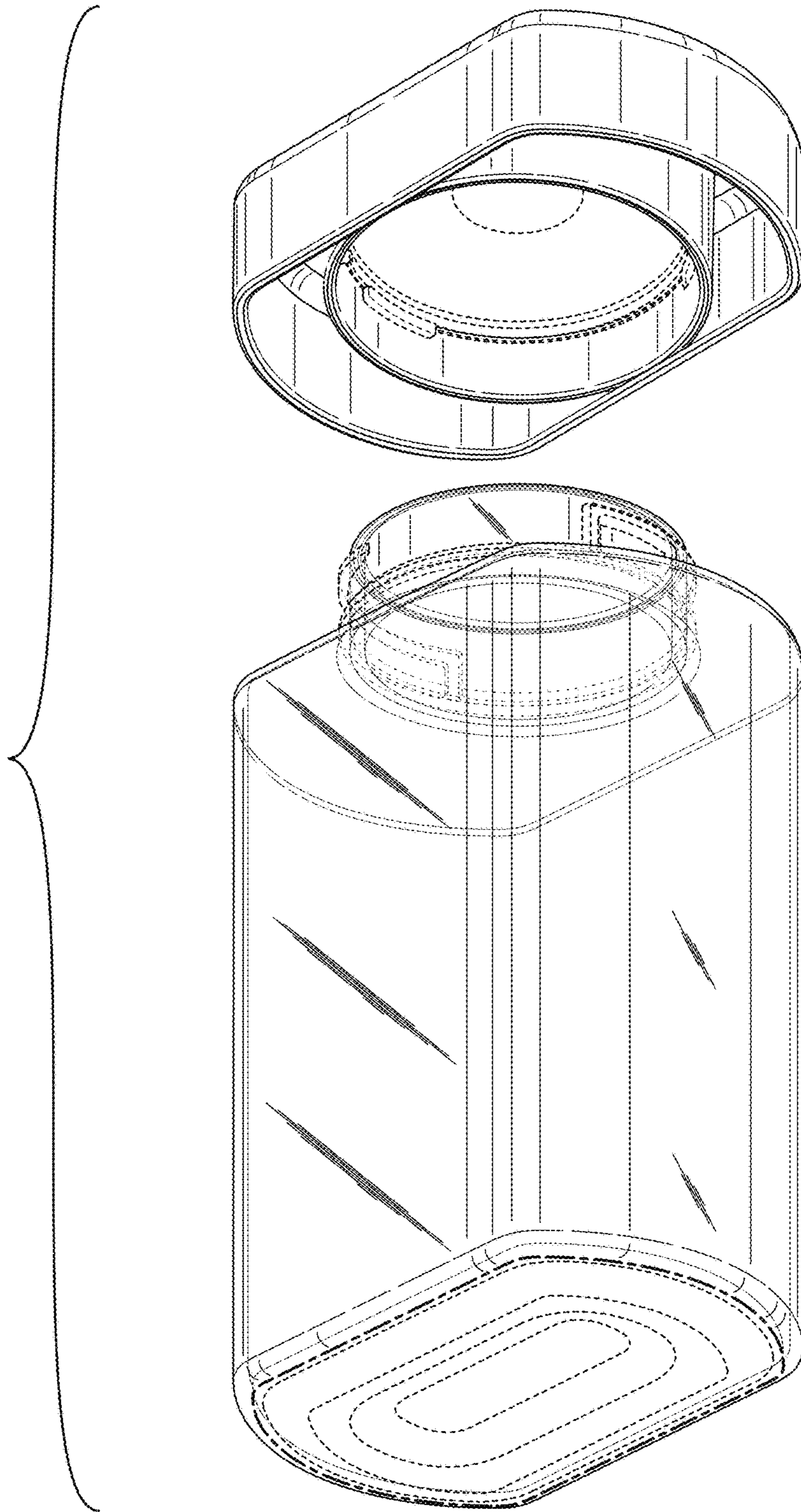


FIG. 14

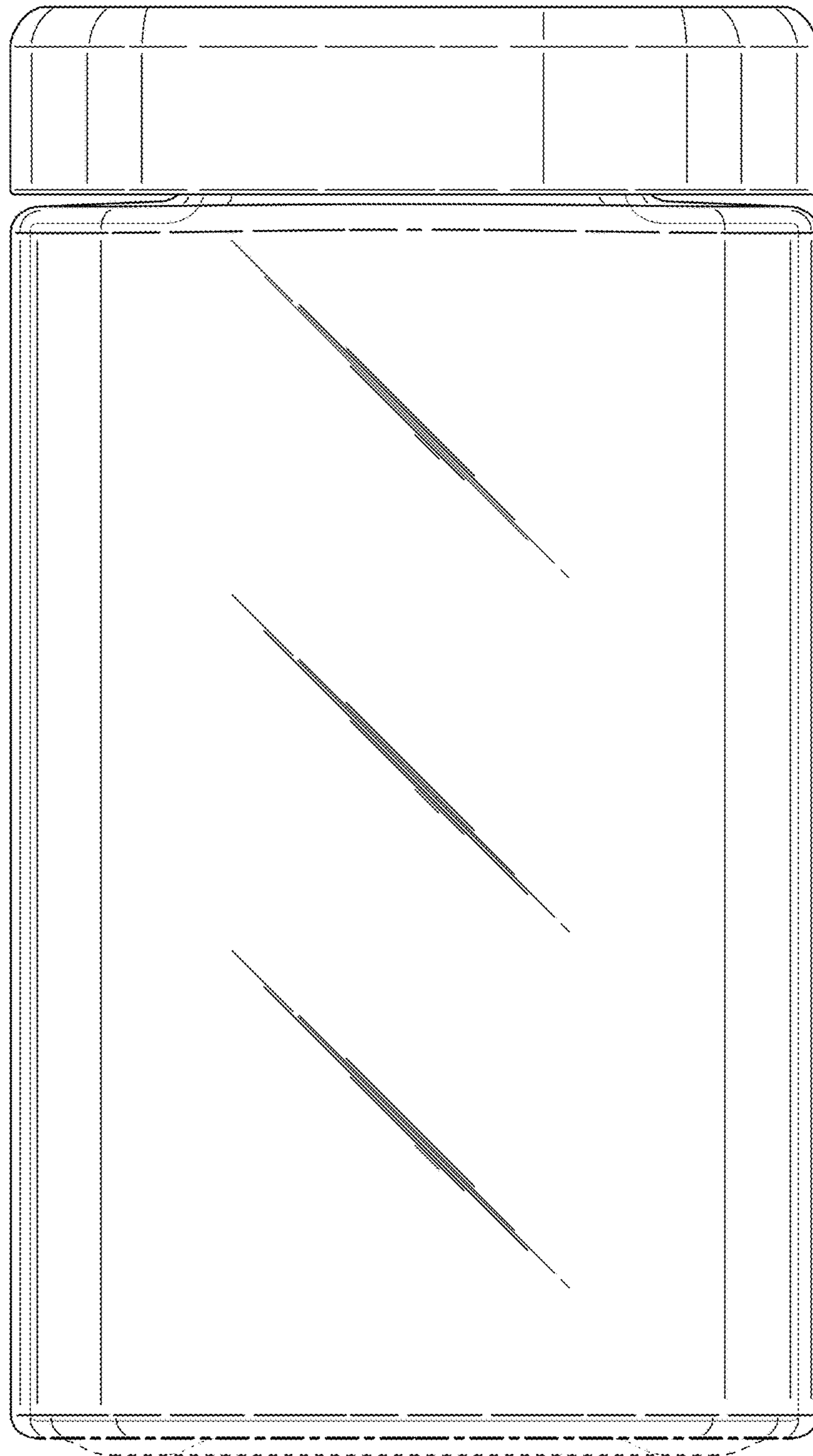


FIG. 15

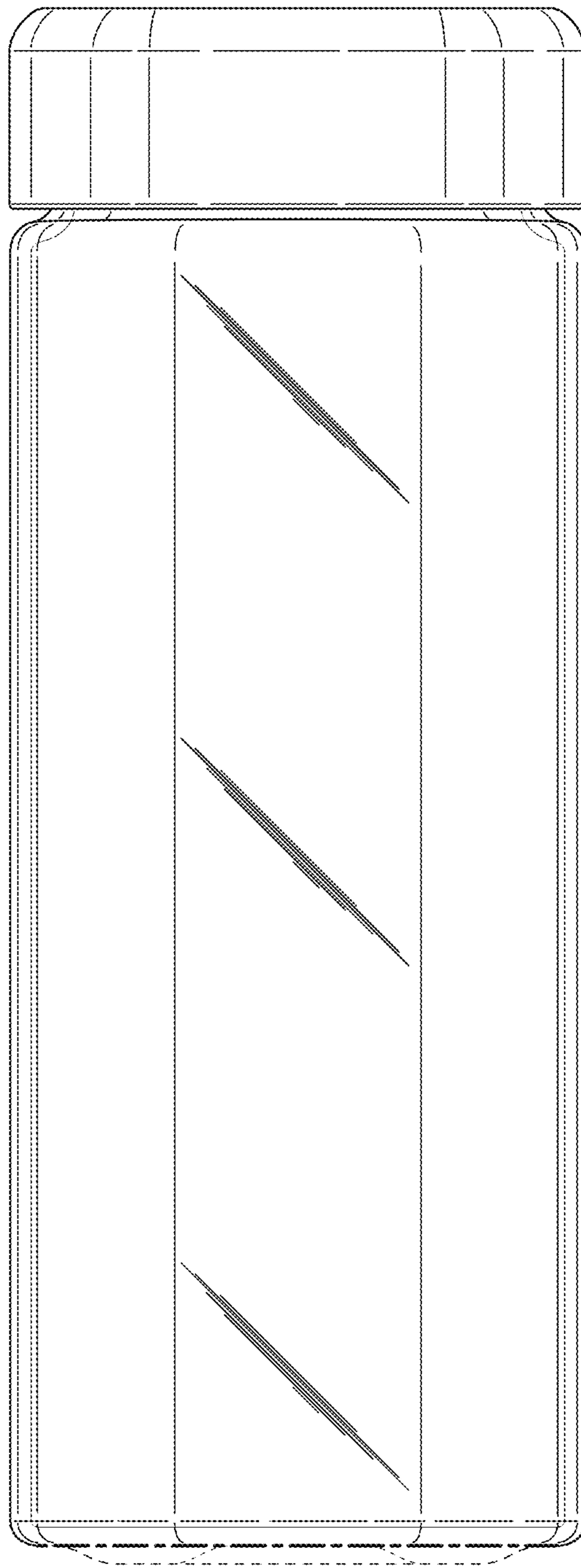
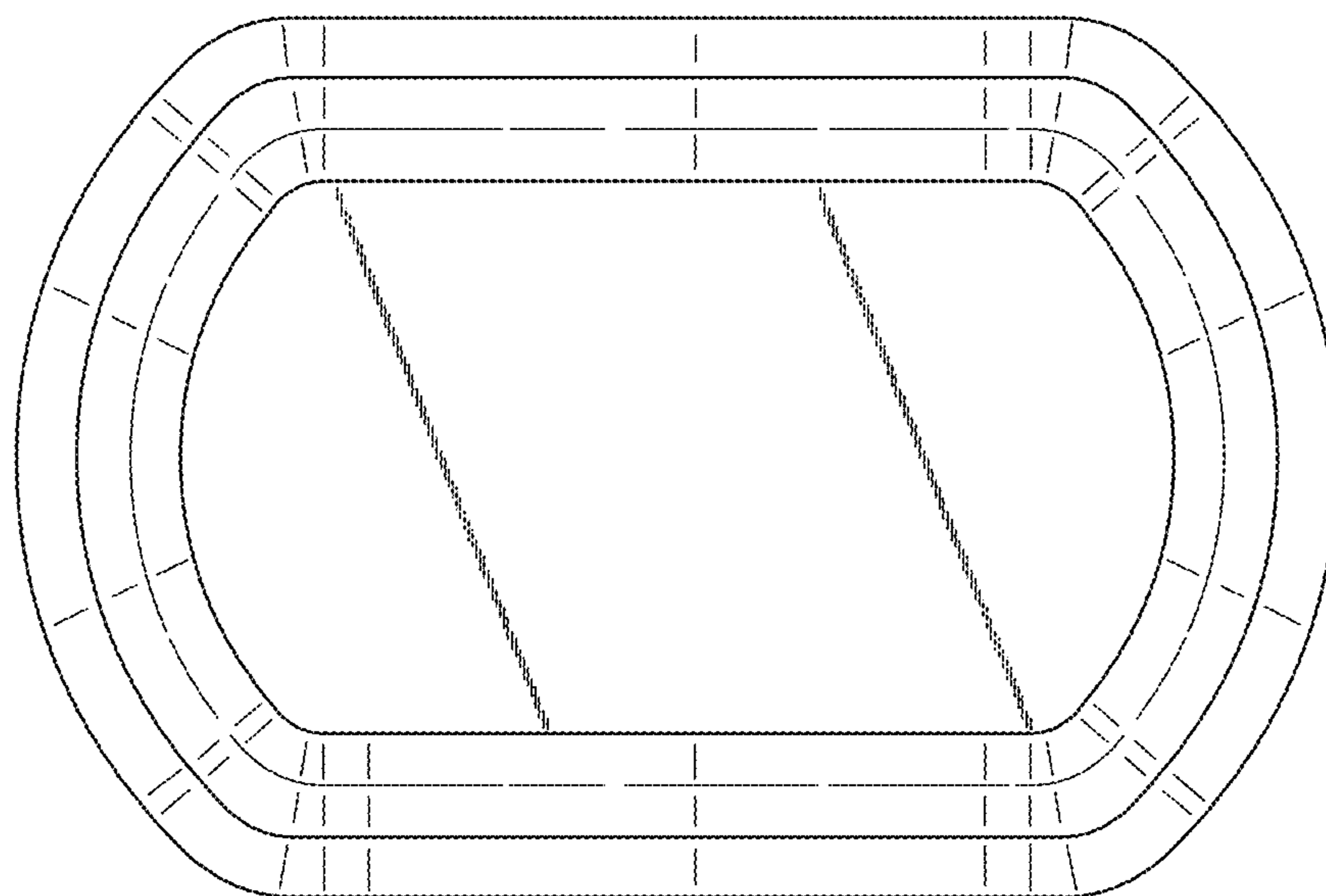
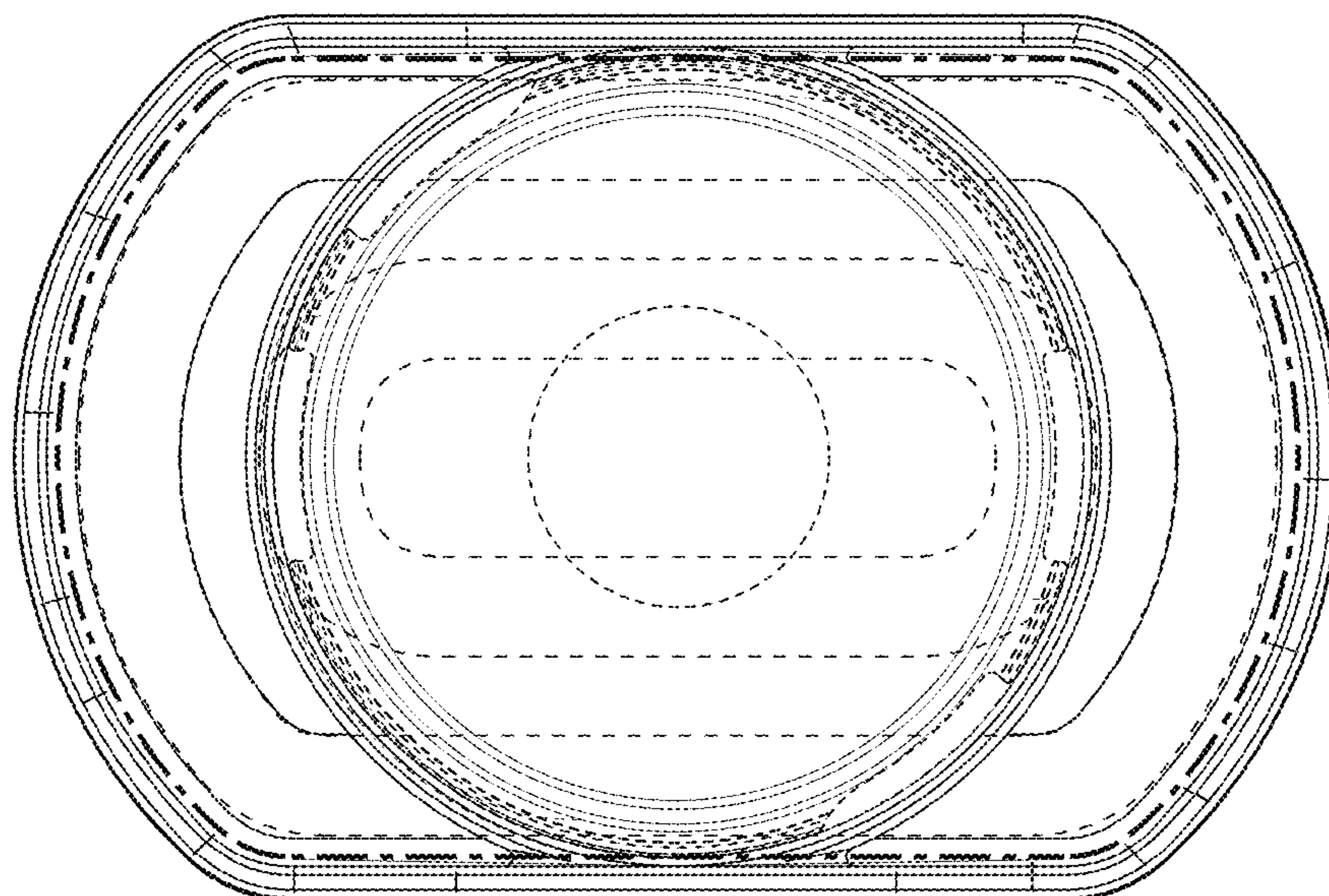


FIG. 16



**FIG. 17**



**FIG. 18**