



US00D838183S

(12) **United States Design Patent**
Simon et al.

(10) **Patent No.:** **US D838,183 S**
(45) **Date of Patent:** **** Jan. 15, 2019**

- (54) **CONTAINER**
- (71) Applicant: **Access Business Group International LLC**, Ada, MI (US)
- (72) Inventors: **Adam Simon**, Cedar Springs, MI (US);
Sean T. Eurich, Portage, MI (US)
- (73) Assignee: **Access Business Group International LLC**, Ada, MI (US)

(**) Term: **15 Years**

(21) Appl. No.: **29/618,063**

(22) Filed: **Sep. 19, 2017**

(51) **LOC (11) Cl.** **09-01**

(52) **U.S. Cl.**
USPC **D9/563**; D9/560

(58) **Field of Classification Search**
USPC D9/516, 520, 544, 546, 559, 560, 563,
D9/574, 715, 719; D7/300, 601, 602,
D7/619.1

CPC . B65D 1/00; B65D 1/02; B65D 1/023; B65D
1/0223; B65D 1/0276

See application file for complete search history.

(56) **References Cited**

U.S. PATENT DOCUMENTS

D431,193 S *	9/2000	Shanahan	D9/544
D481,640 S *	11/2003	Biesecker	D9/560
D556,050 S *	11/2007	Gottlieb	D9/566
D605,054 S *	12/2009	Ungrady	D9/559
D605,952 S *	12/2009	Inoi	D9/559
D619,473 S *	7/2010	Biesecker	D9/560
D633,806 S *	3/2011	Lecoule	D9/451
D646,177 S *	10/2011	Jeffs	D9/549
D649,061 S *	11/2011	Jeffs	D9/542
D660,169 S *	5/2012	Potts	D9/544
D663,629 S *	7/2012	Finlay	D9/570
D664,440 S *	7/2012	Gonzalez Rodriguez	D9/544

D664,857 S *	8/2012	Finlay	D9/560
D691,893 S *	10/2013	Finlay	D9/560
D697,419 S *	1/2014	Gieske	D9/559
D713,256 S *	9/2014	Perez-Cabrera	D9/546
D719,030 S *	12/2014	Perez-Cabrera	D9/560
D719,455 S *	12/2014	Perez-Cabrera	D9/559
D740,127 S *	10/2015	Chertoff	D9/444
D747,971 S *	1/2016	Peacock	D9/563
D758,875 S *	6/2016	Peacock	D9/414
D779,335 S *	2/2017	Chia	D9/560
D808,278 S *	1/2018	Vindevogel	D9/544
D808,815 S *	1/2018	Arkin	D9/560

(Continued)

Primary Examiner — Ian Simmons

Assistant Examiner — Keith Frank

(74) *Attorney, Agent, or Firm* — Warner, Norcross + Judd LLP

(57) **CLAIM**

The ornamental design for a container, as shown and described.

DESCRIPTION

FIG. 1 is a perspective view of the container embodying the new design;

FIG. 2 is a right side view thereof;

FIG. 3 is a left side view thereof;

FIG. 4 is a front view thereof;

FIG. 5 is a rear view thereof;

FIG. 6 is a top view thereof;

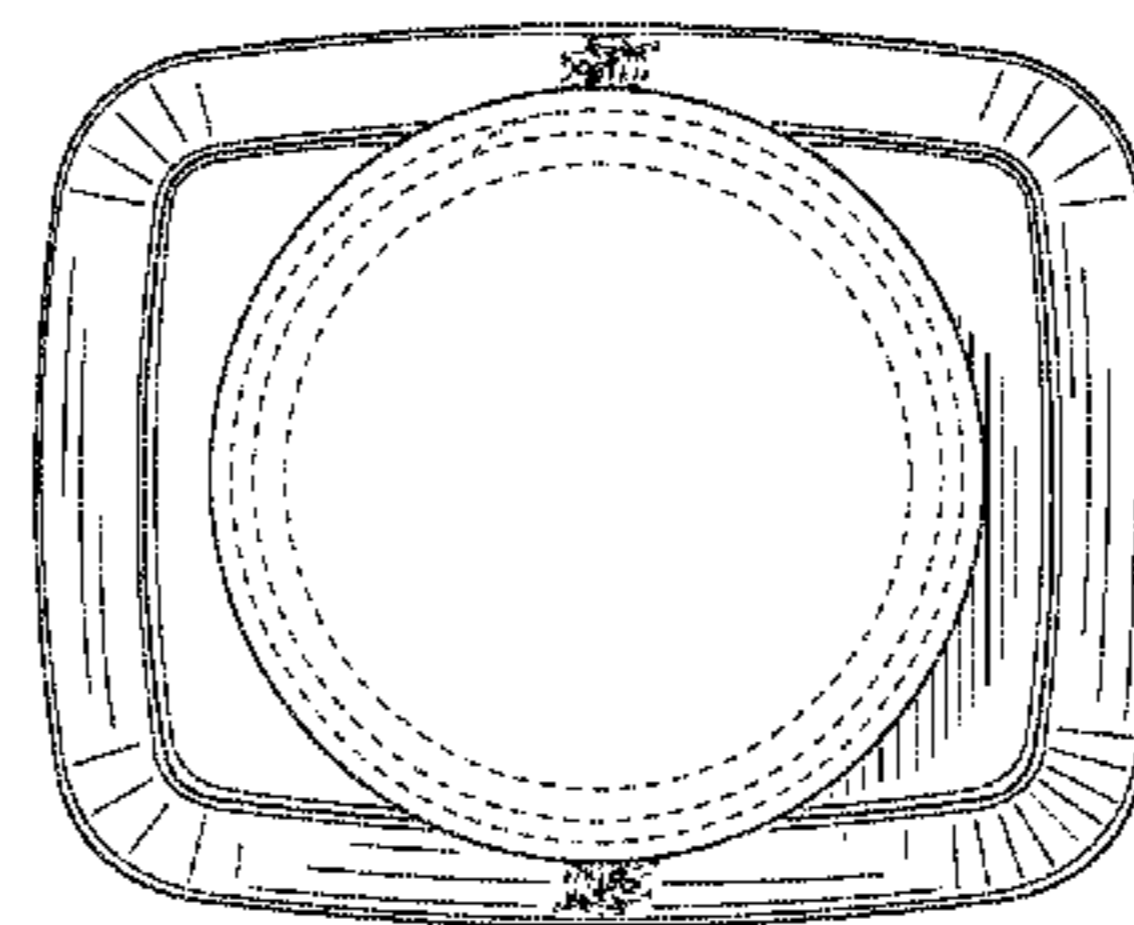
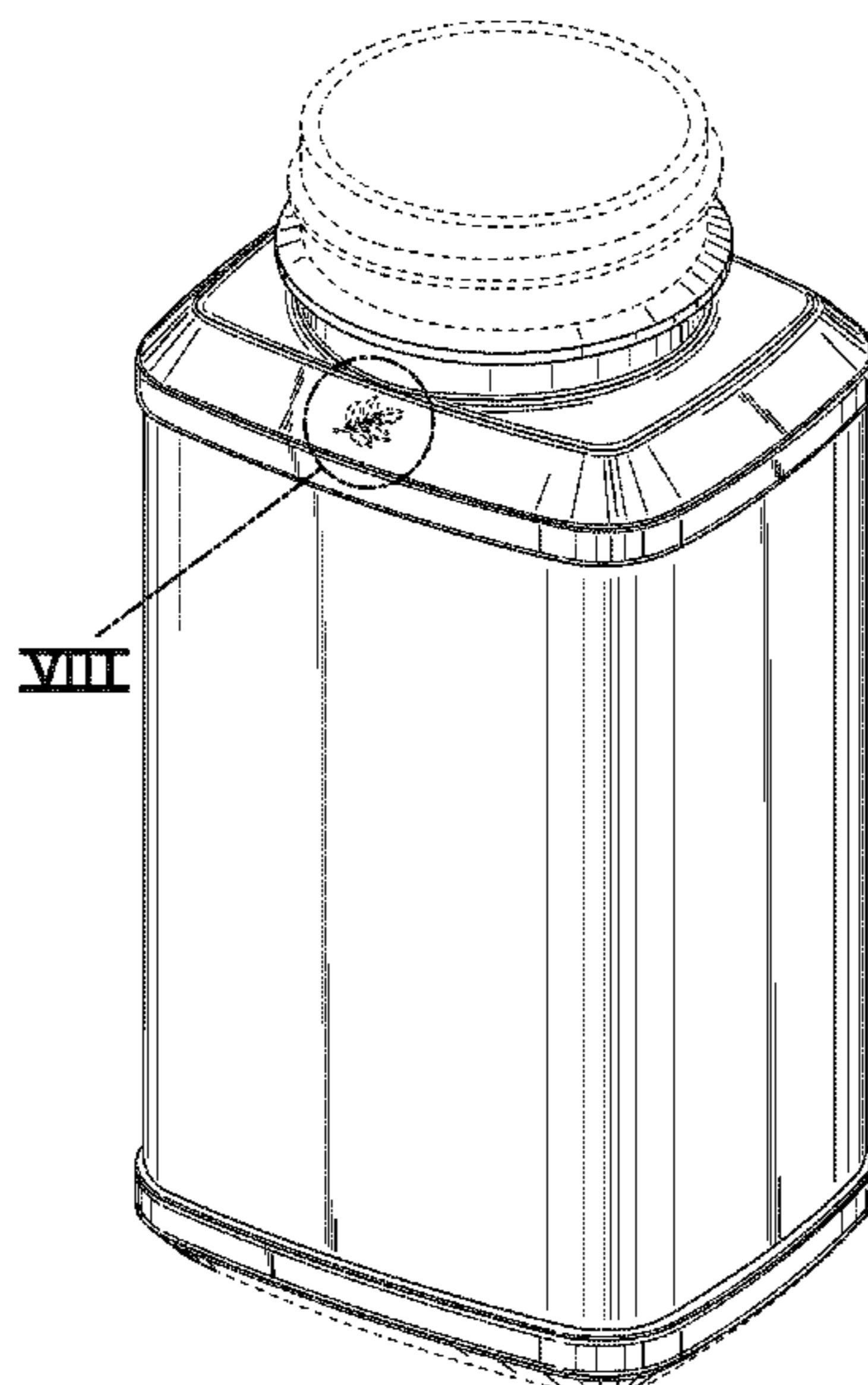
FIG. 7 is a bottom view thereof;

FIG. 8 is a close up view of a portion of the design within the circle labeled VIII in FIG. 1; and,

FIG. 9 is a close up view of a portion of the design within the circle labeled IX in FIG. 4.

FIGS. 1-9 show portions of the container in phantom lines. The broken lines in the drawings illustrate the portions of the container that form no part of the claimed design.

1 Claim, 7 Drawing Sheets



(56)

References Cited

U.S. PATENT DOCUMENTS

D815,952 S * 4/2018 Chung D9/560
2012/0248003 A1 * 10/2012 Hunter B65D 1/0223
206/524.6

* cited by examiner

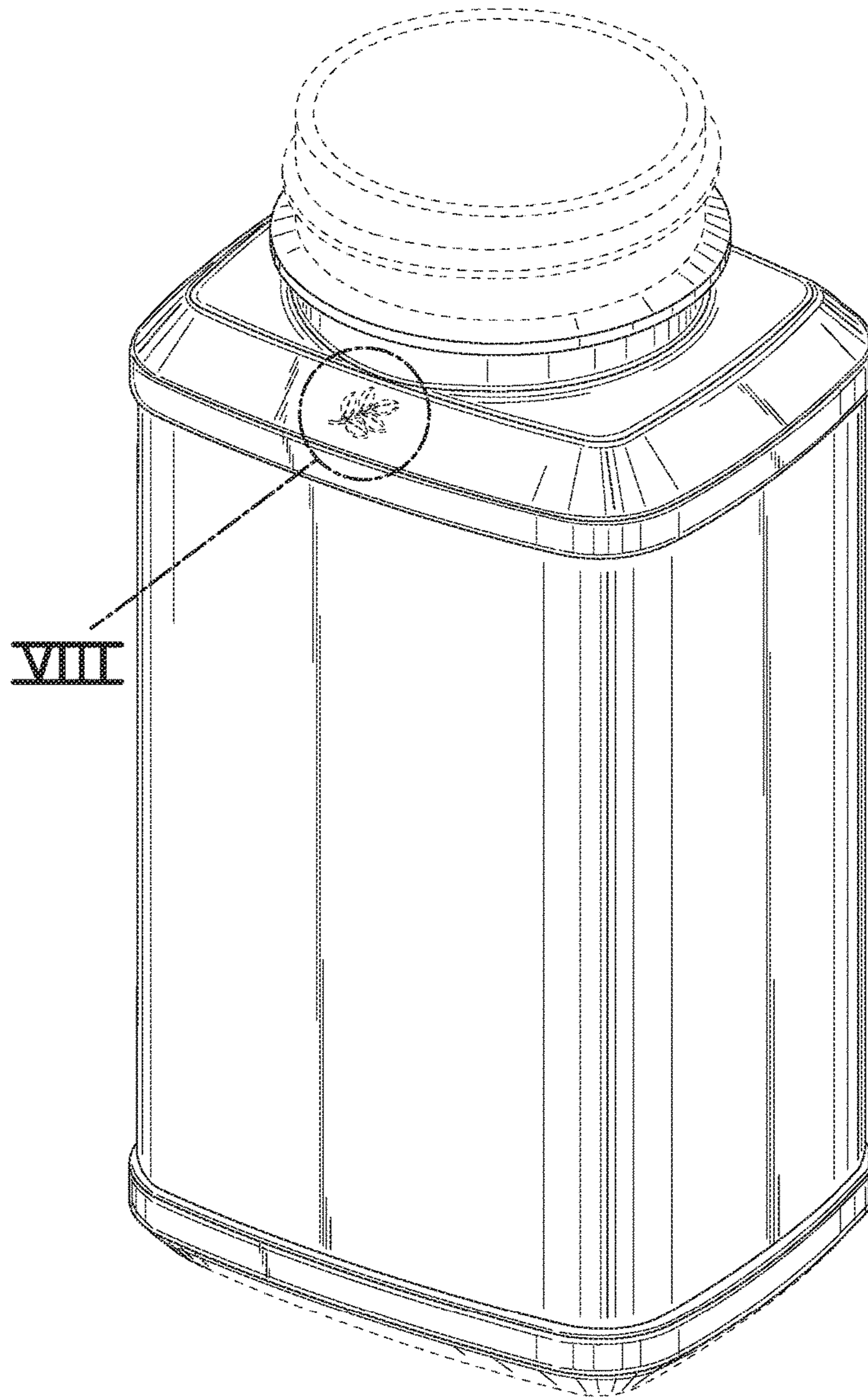


Fig. 1

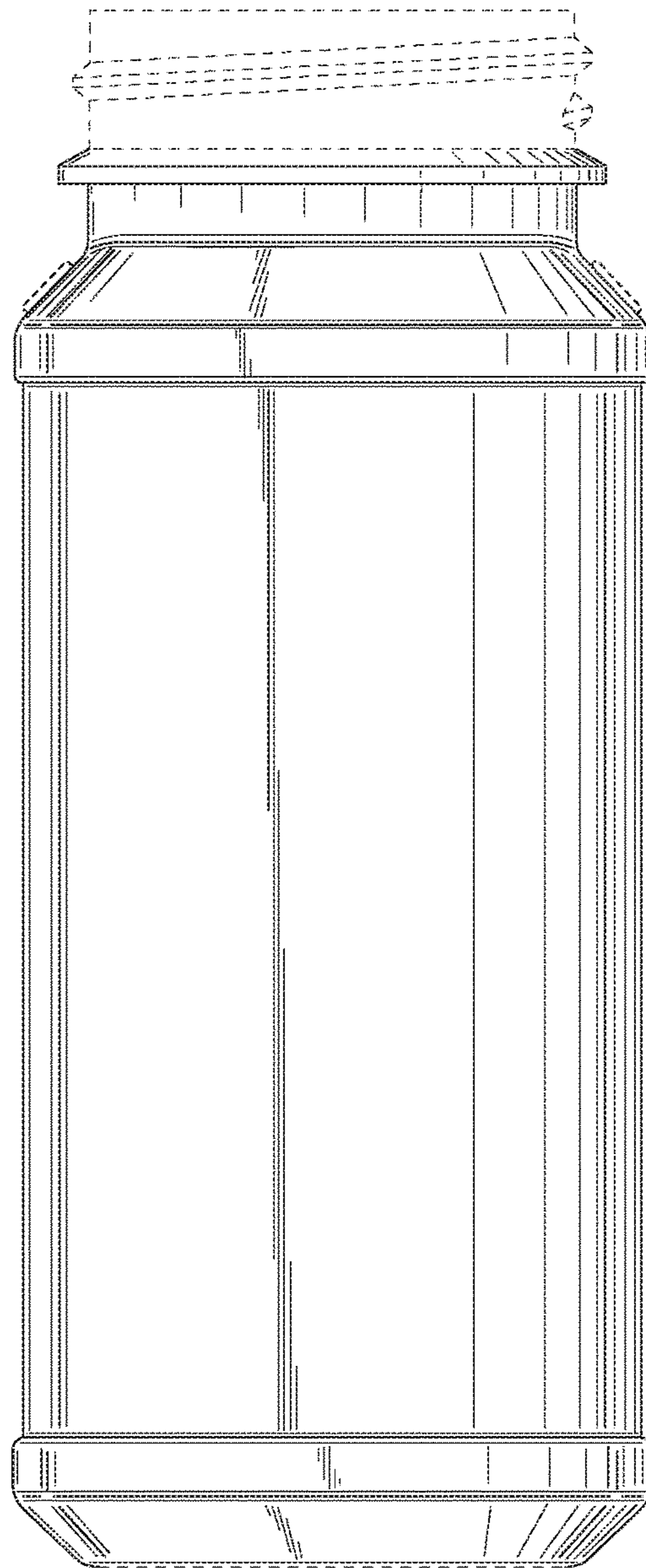


Fig. 2

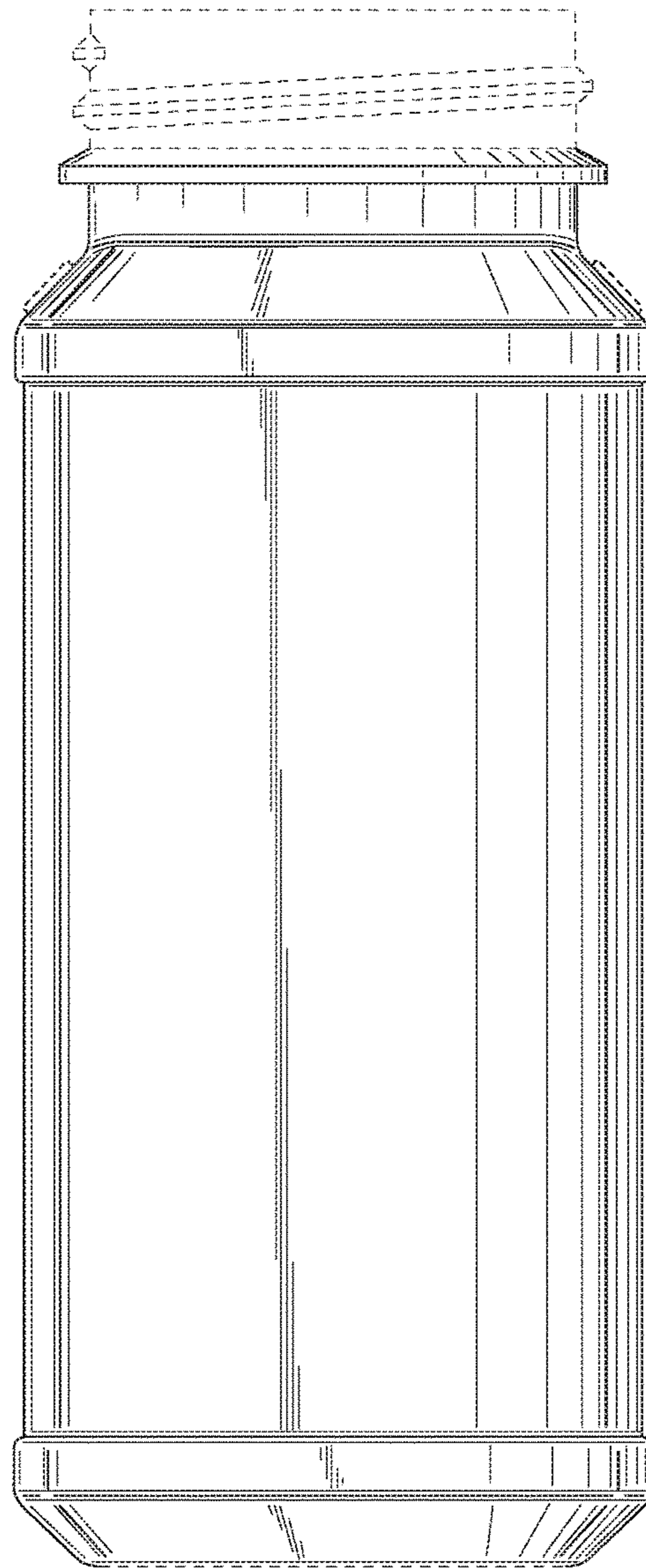


Fig. 3

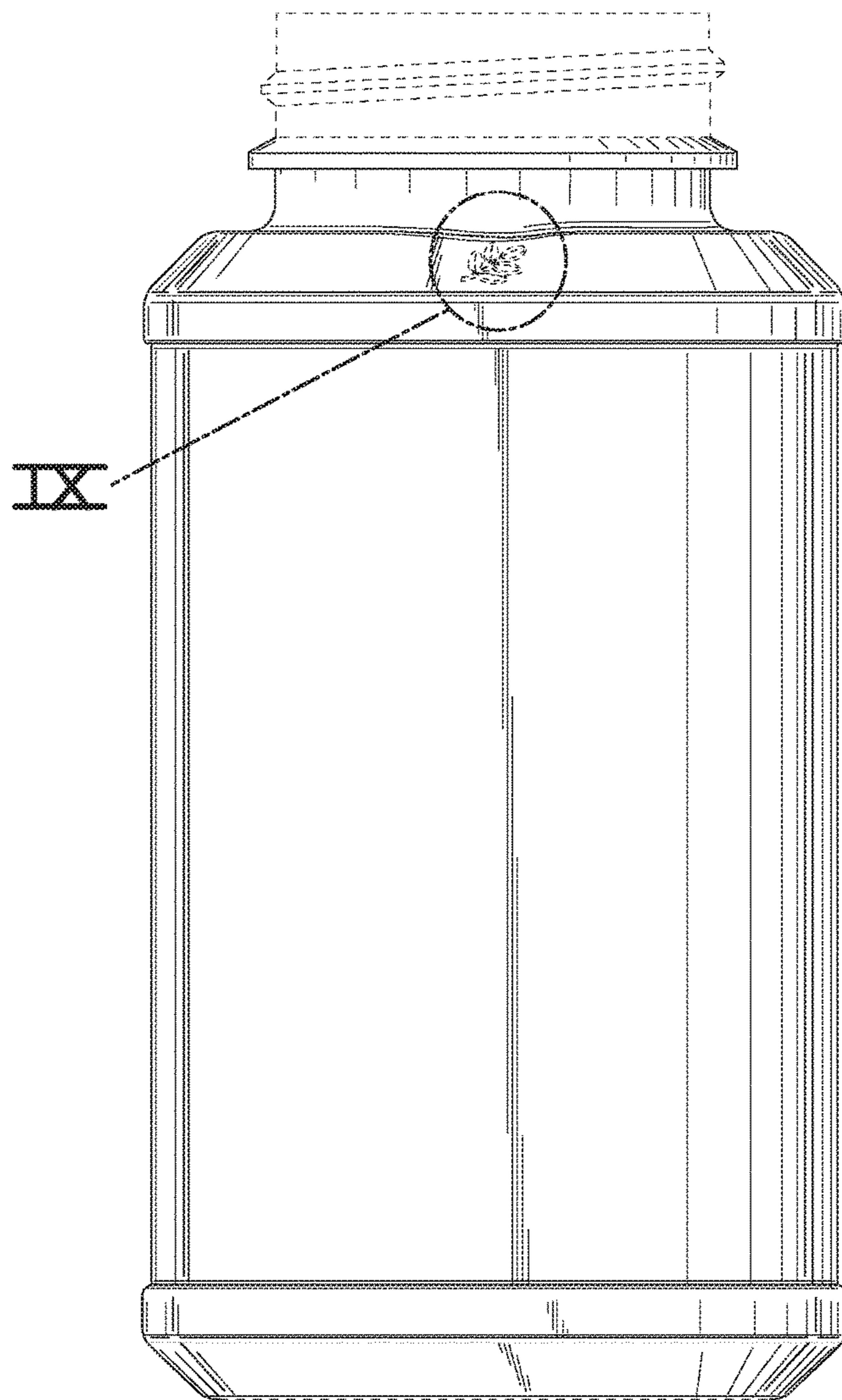


Fig. 4

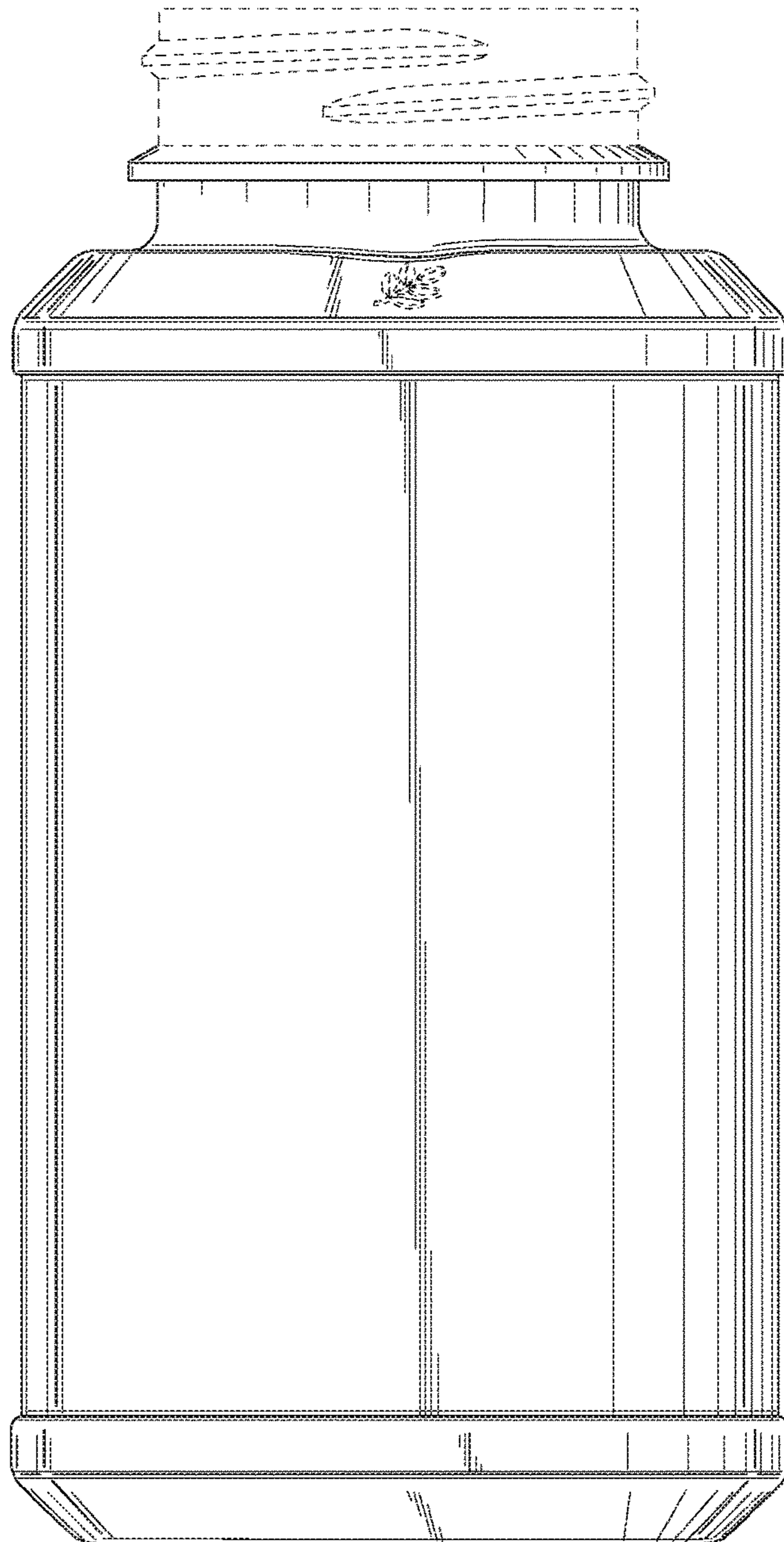


Fig. 5

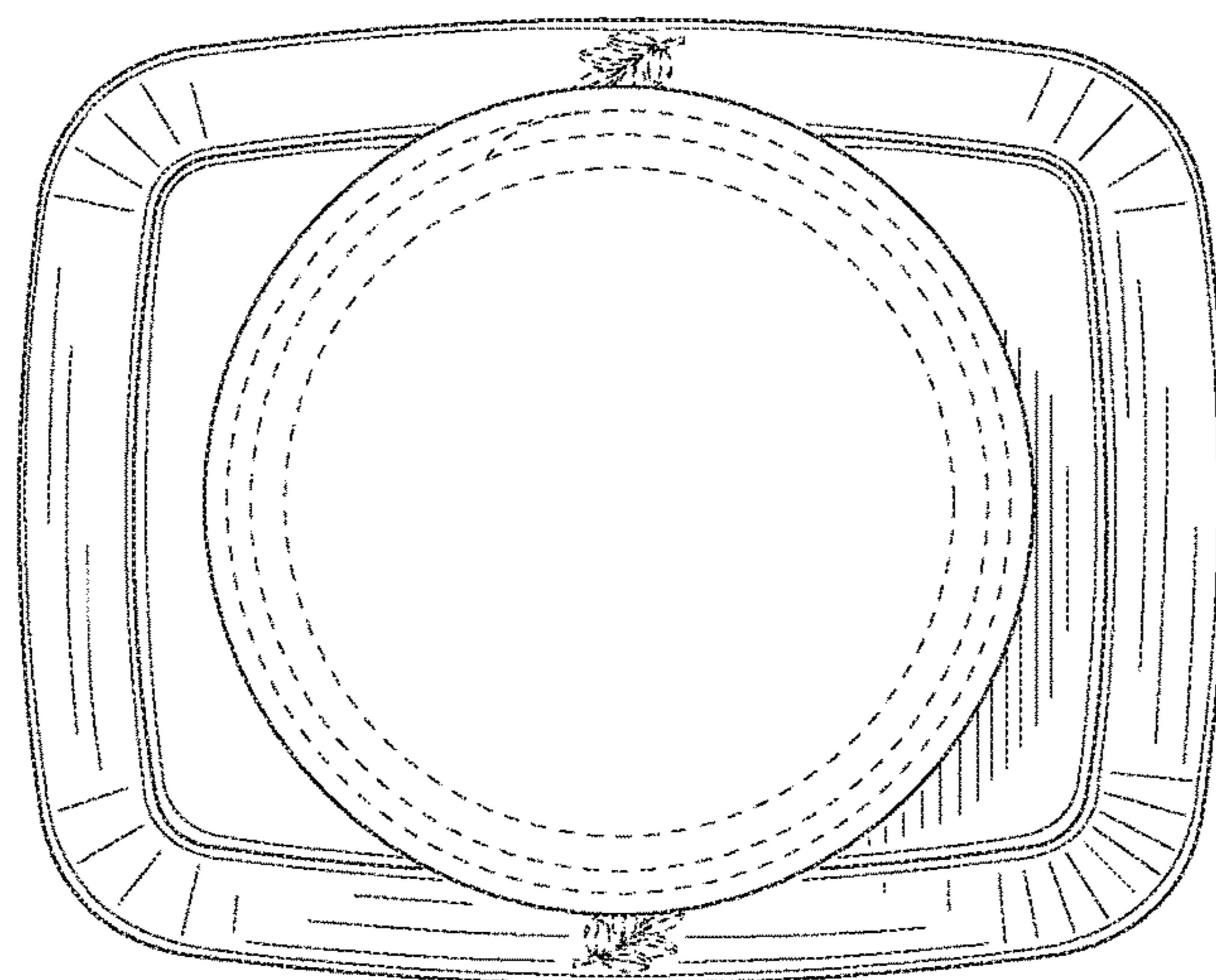


Fig. 6

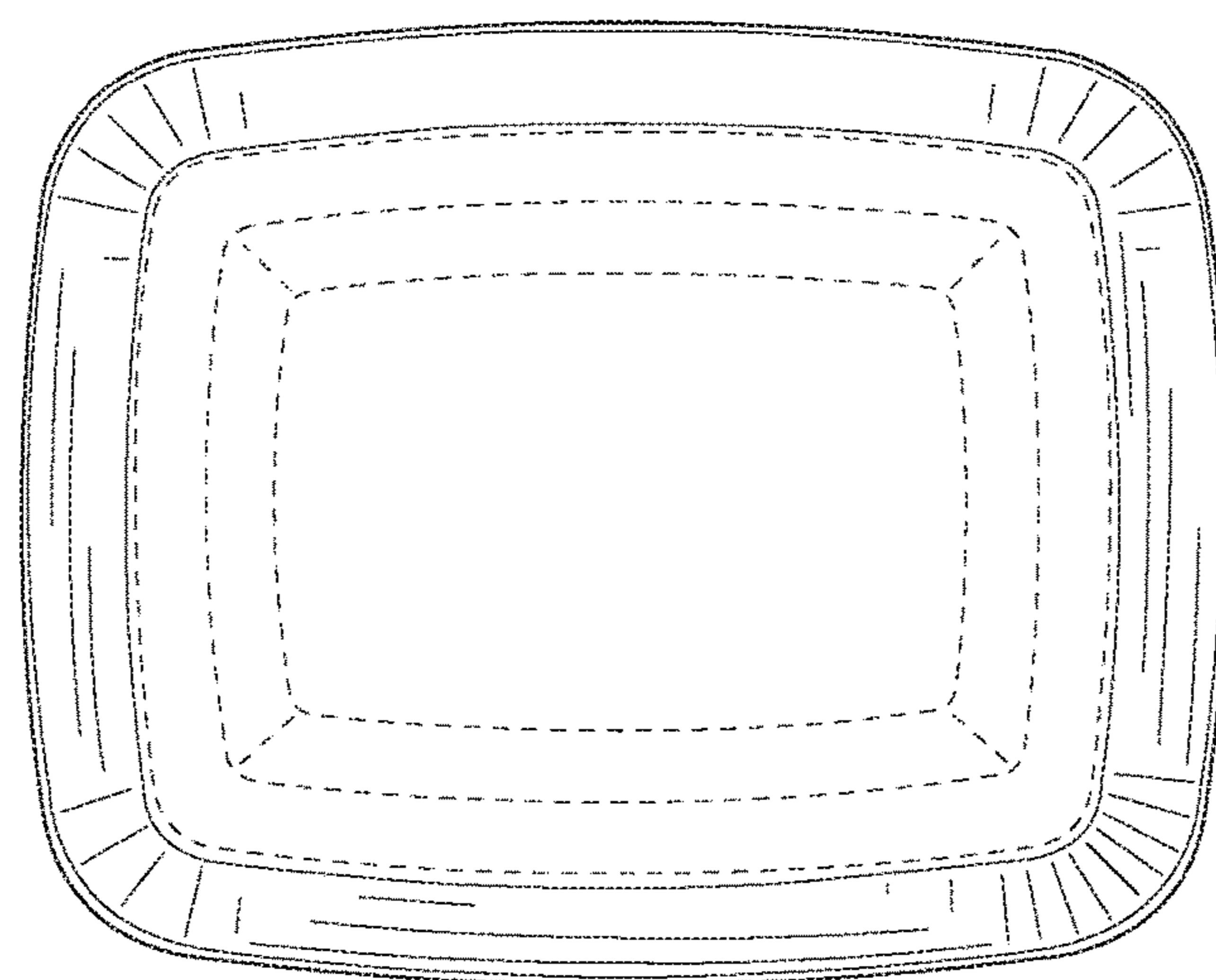


Fig. 7

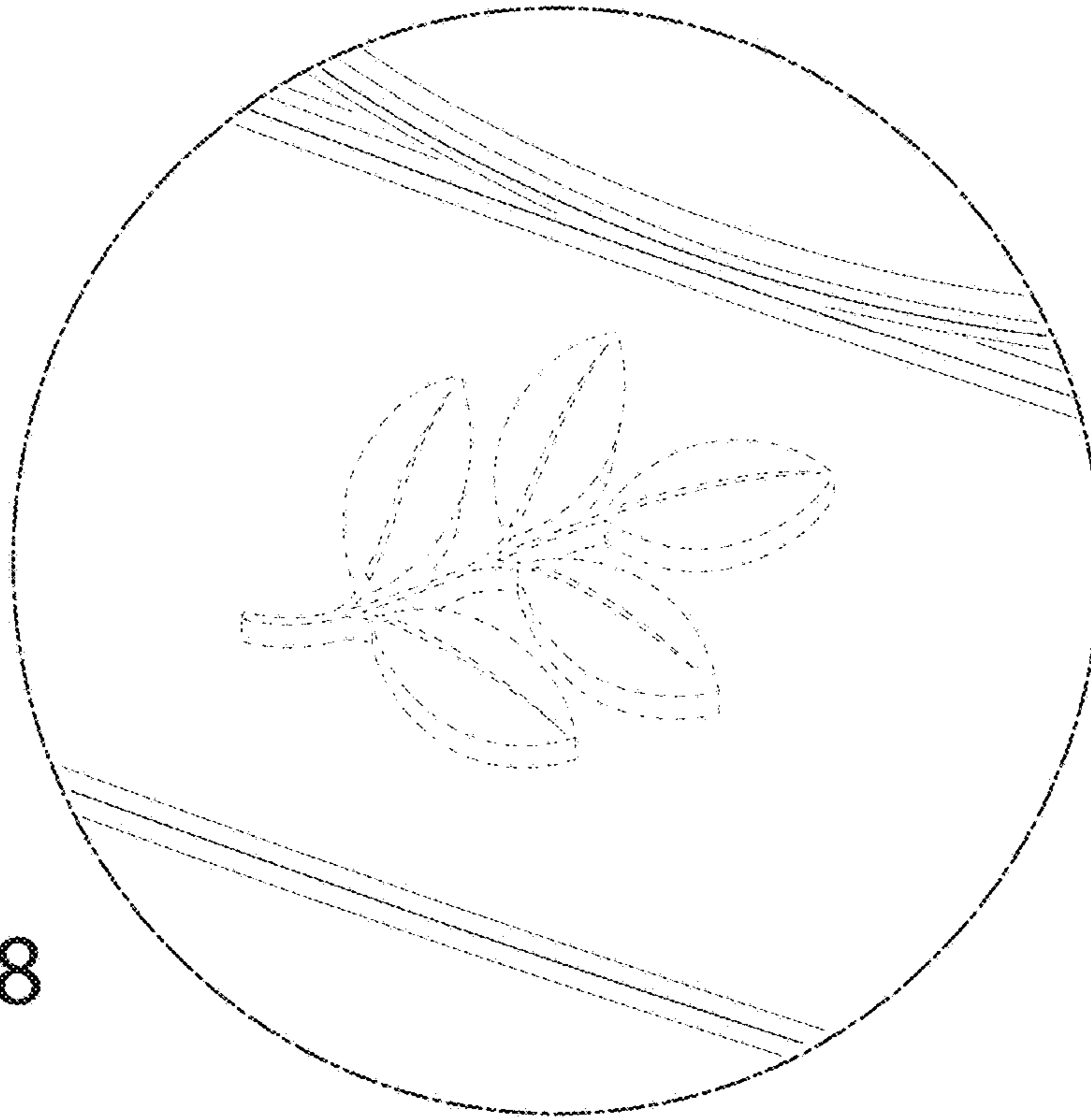


Fig. 8

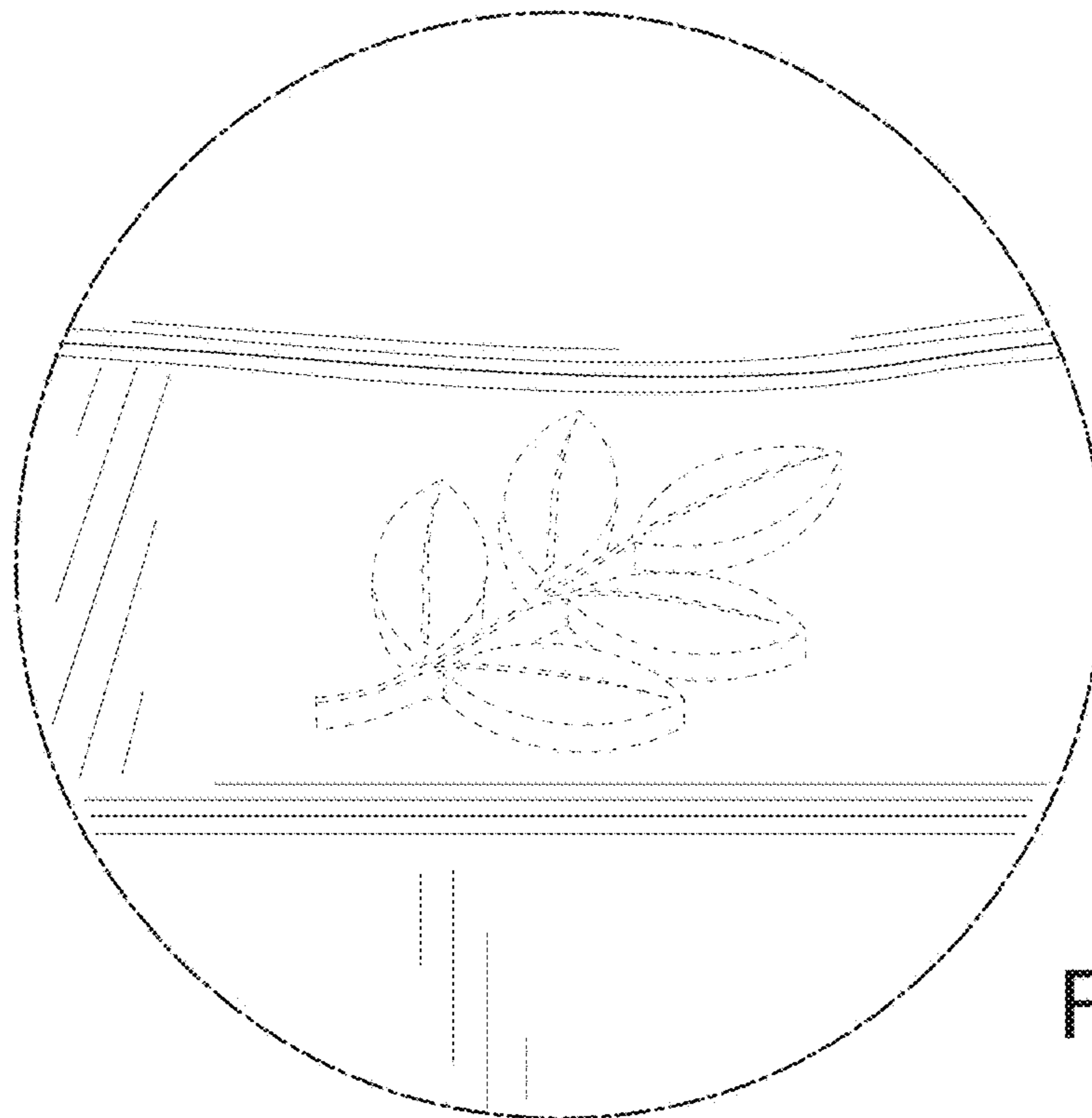


Fig. 9