

US00D838182S

(12) **United States Design Patent**
Landis et al.

(10) **Patent No.:** **US D838,182 S**
(45) **Date of Patent:** **** Jan. 15, 2019**

- (54) **BOTTLE**
- (71) Applicant: **WhiteWave Services, Inc.**, Denver, CO (US)
- (72) Inventors: **Burke Emerson Landis**, Erie, CO (US); **Carolyn Rose Klindt**, Denver, CO (US)
- (73) Assignee: **Whitewave Services, Inc.**, Denver, CO (US)
- (**) Term: **15 Years**
- (21) Appl. No.: **29/608,421**
- (22) Filed: **Jun. 21, 2017**
- (51) **LOC (11) Cl.** **09-01**
- (52) **U.S. Cl.**
USPC **D9/560; D9/574**
- (58) **Field of Classification Search**
USPC D9/516, 520, 544, 546, 559, 560, 563, D9/574, 715, 719; D7/300, 601, 602, D7/619.1
CPC . B65D 1/00; B65D 1/02; B65D 1/023; B65D 1/0223; B65D 1/0276
See application file for complete search history.

- D432,427 S 10/2000 Shanahan
- D451,812 S 12/2001 Colonna de Giovellina
- 6,457,602 B2 10/2002 Uchiyama
- D481,640 S 11/2003 Biesecker
- D481,957 S * 11/2003 Modjeski D9/560
- D488,060 S 4/2004 Yourist
- D491,069 S * 6/2004 Heliste D9/560
- D548,103 S 8/2007 Waldner
- D578,399 S 10/2008 Hestehave
- D619,473 S * 7/2010 Biesecker D9/560
- D633,394 S 3/2011 Clarke
- D653,119 S 1/2012 Hunter
- D655,180 S * 3/2012 Kraft D9/560
- D655,181 S * 3/2012 Kraft D9/560
- D656,405 S * 3/2012 Byron D9/560
- D664,857 S 8/2012 Finlay
- D675,101 S 1/2013 Wilson
- D676,329 S 2/2013 Yourist
- D687,309 S * 8/2013 Lemaitre D9/544
- D687,710 S 8/2013 Johnson
- D691,484 S 10/2013 Fitzgerald

(Continued)

Primary Examiner — Ian Simmons
Assistant Examiner — Keith Frank
(74) *Attorney, Agent, or Firm* — Baker Botts L.L.P.

(57) **CLAIM**

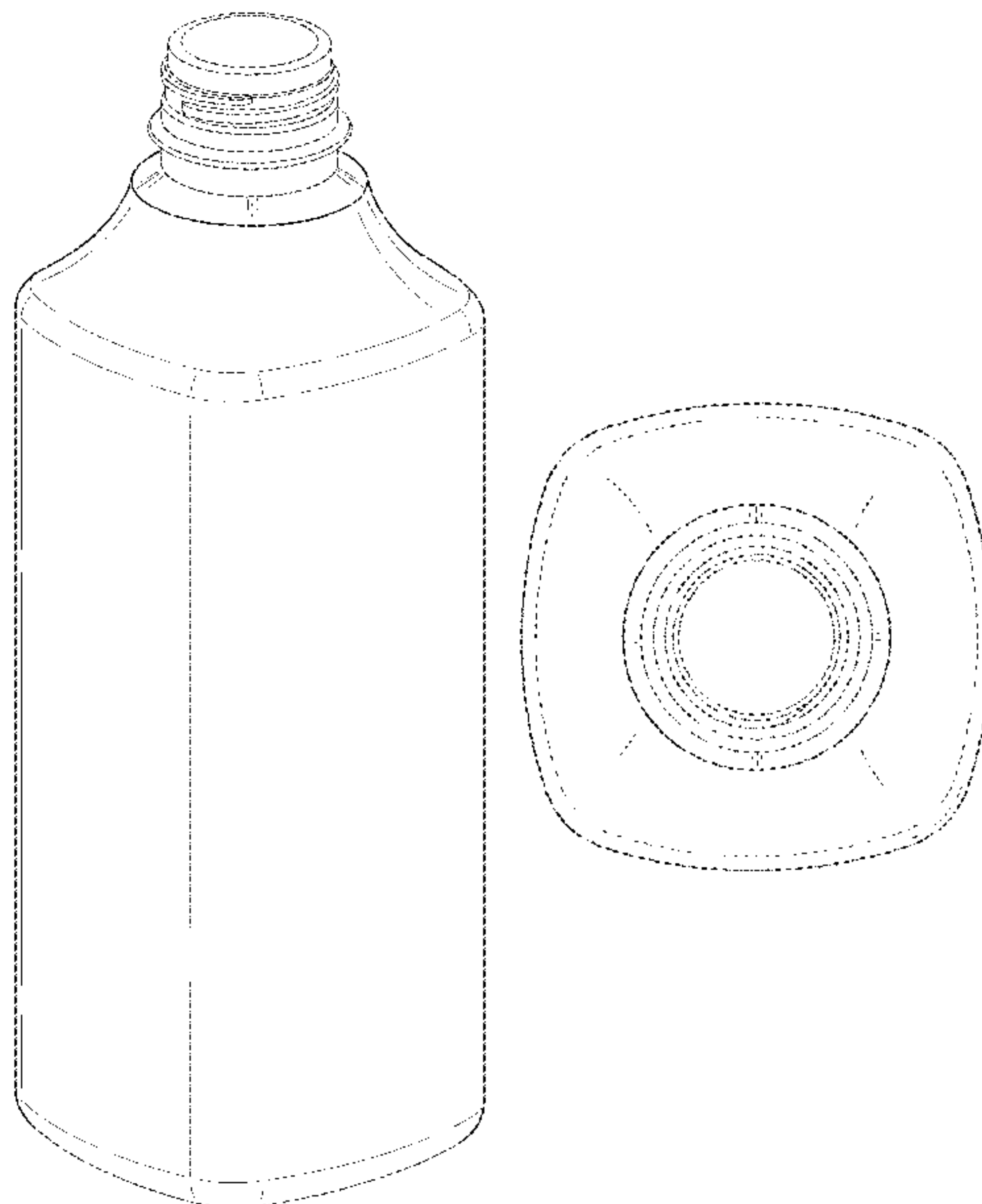
The ornamental design for a bottle, as shown and described.

DESCRIPTION

FIG. 1 is a perspective view of a bottle.
FIG. 2 is a front view of the bottle.
FIG. 3 is a back view of the bottle.
FIG. 4 is a left view of the bottle.
FIG. 5 is a right view of the bottle.
FIG. 6 is a top view of the bottle; and,
FIG. 7 is a bottom view of the bottle.
The broken lines in the drawings of the bottle illustrate the portions of the bottle that form no part of the claimed design.

1 Claim, 6 Drawing Sheets

- (56) **References Cited**
U.S. PATENT DOCUMENTS
- 277,758 A 5/1883 Macvay et al.
- 3,567,104 A * 3/1971 Arslanian B65D 11/04 215/12.1
- D248,619 S * 7/1978 Anderson D9/560
- 4,471,882 A 9/1984 Joo
- D282,910 S 3/1986 Biesecker
- D287,340 S 12/1986 Dinand
- D313,177 S * 12/1990 Larson D9/520
- 5,217,737 A 6/1993 Gygax et al.
- D426,161 S 6/2000 Hestehave et al.



(56)

References Cited

U.S. PATENT DOCUMENTS

D728,374 S *	5/2015	Doerr	D9/550
D729,064 S	5/2015	Synder	
D735,046 S *	7/2015	De Lorme	D9/560
D736,641 S *	8/2015	Manne	D9/560
D751,894 S	3/2016	Nordenskjöld	
D753,503 S	4/2016	Kuzma	
D758,192 S	6/2016	Eyal	
D759,429 S	6/2016	Rosbach	
D760,592 S	7/2016	Charnley	
D779,335 S *	2/2017	Chia	D9/560
D798,161 S *	9/2017	Bayani	D9/563
D811,232 S *	2/2018	Gottlieb	D9/563
D815,952 S *	4/2018	Chung	D9/560

* cited by examiner

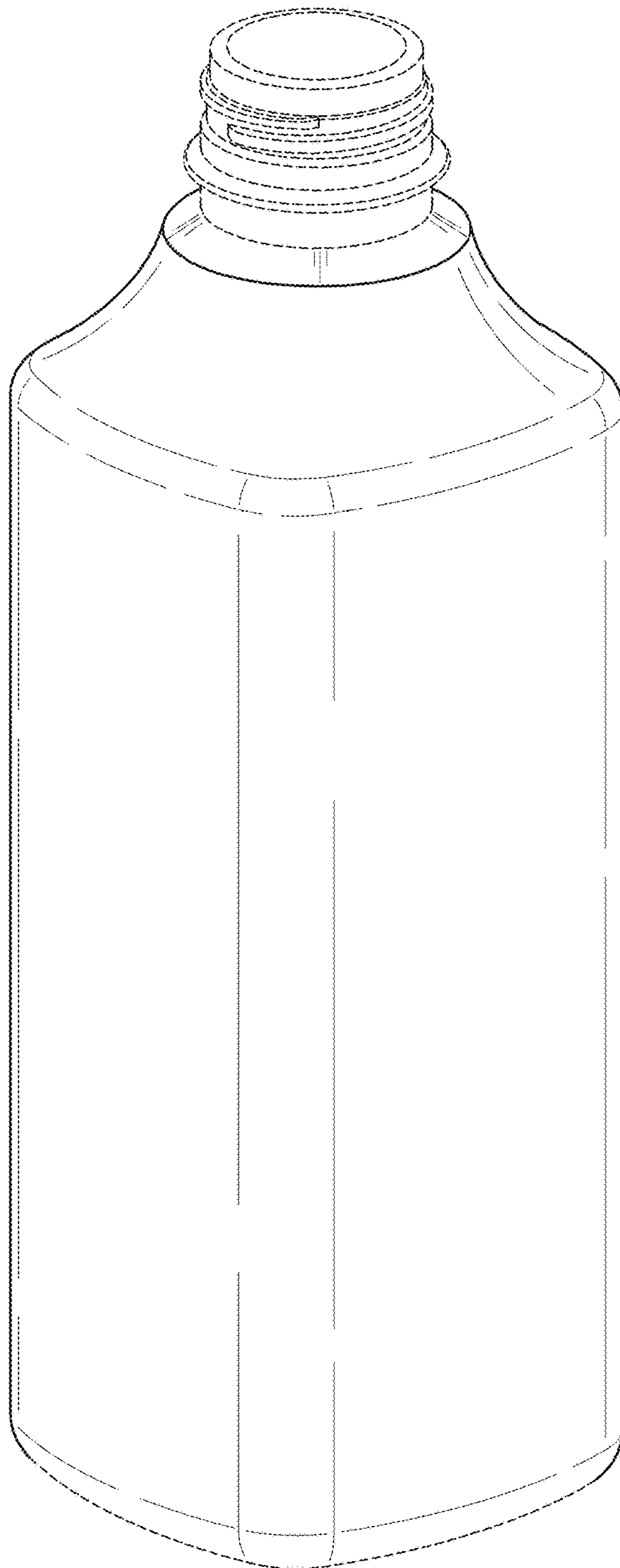


FIG. 1

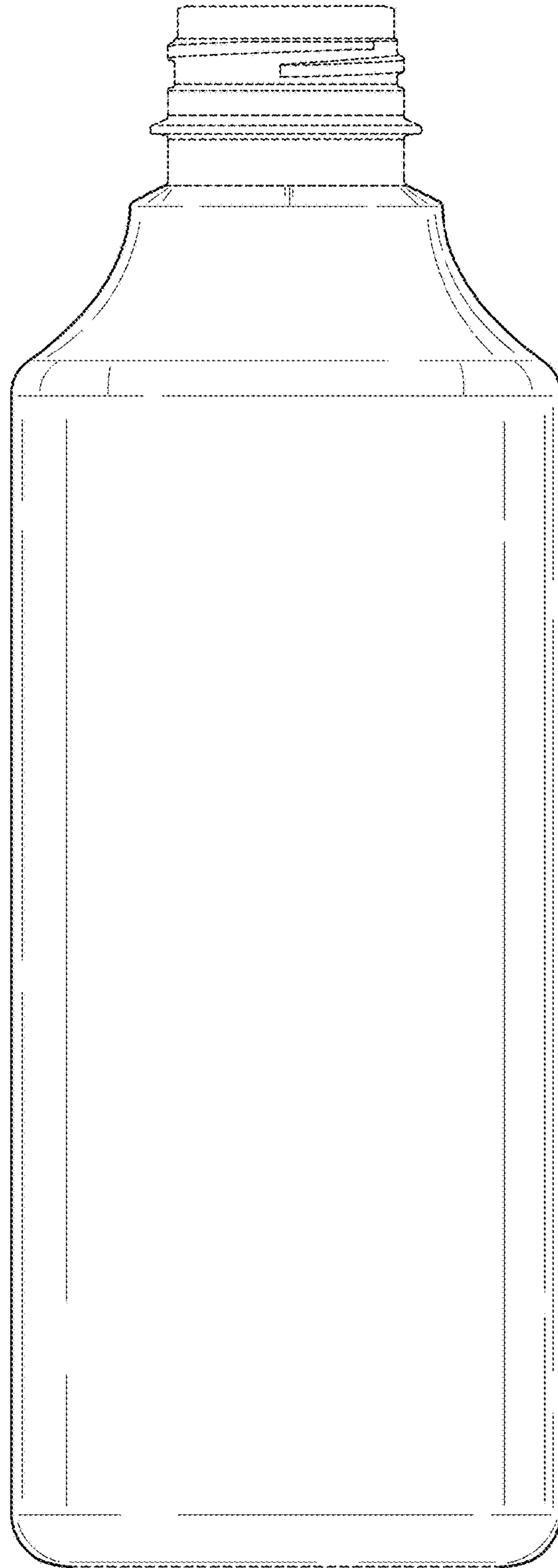


FIG. 2

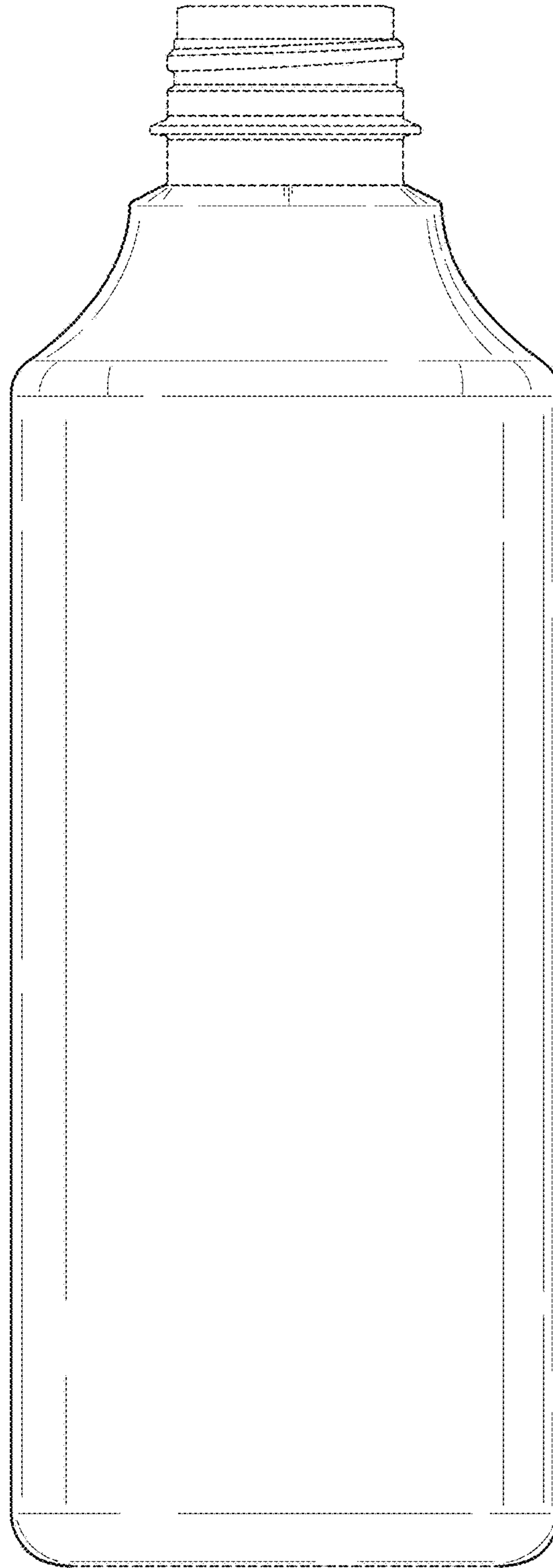


FIG.3

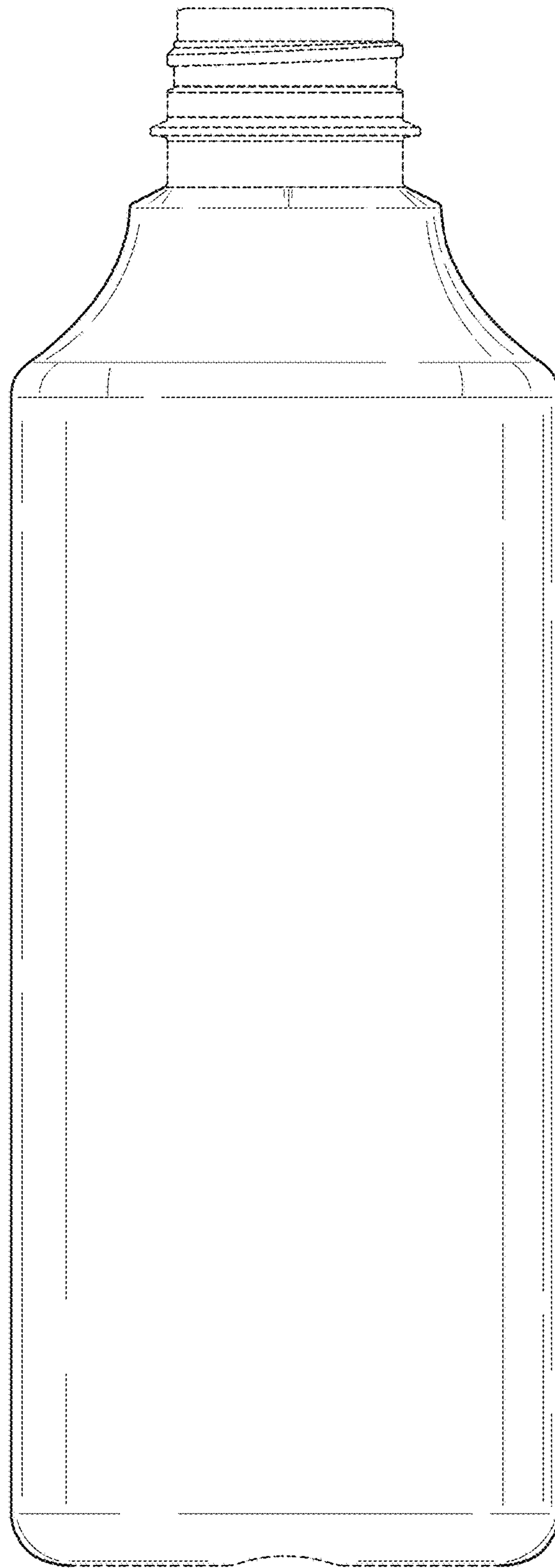


FIG. 4

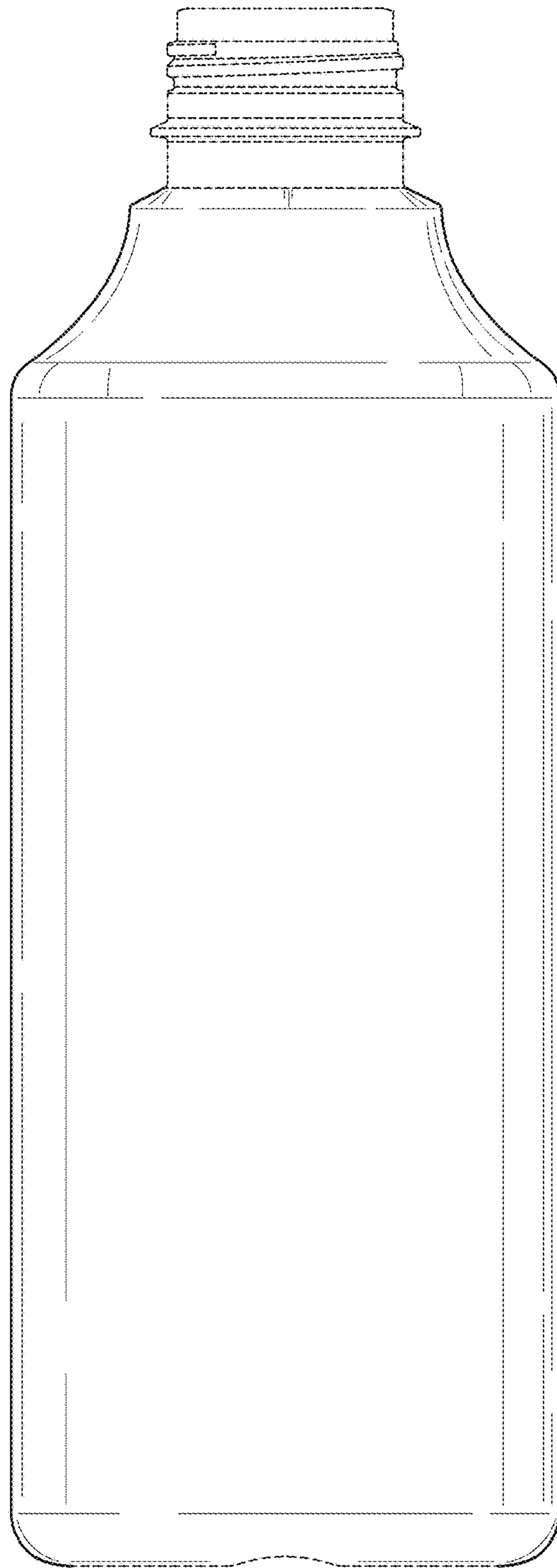


FIG.5

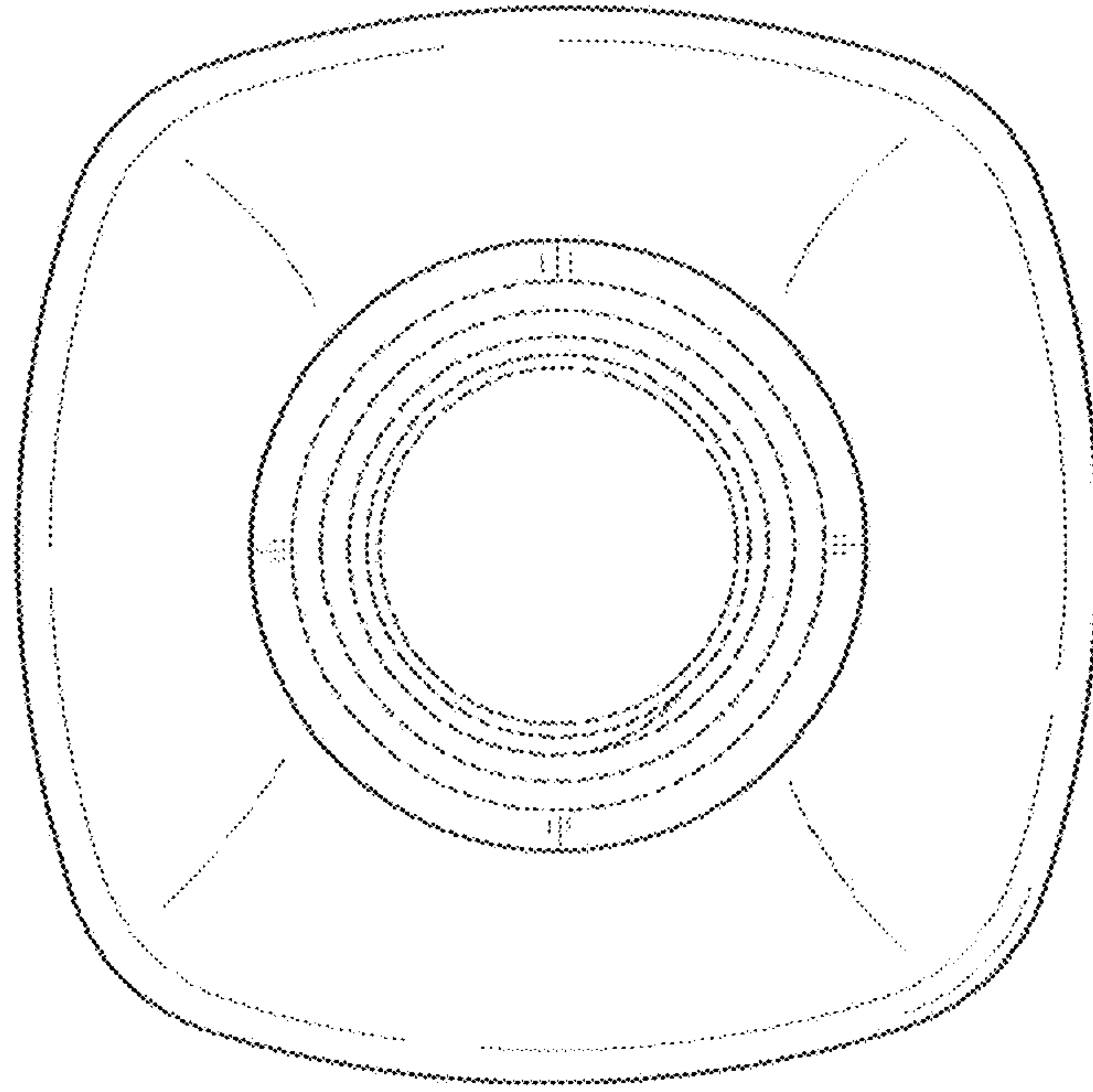


FIG. 6

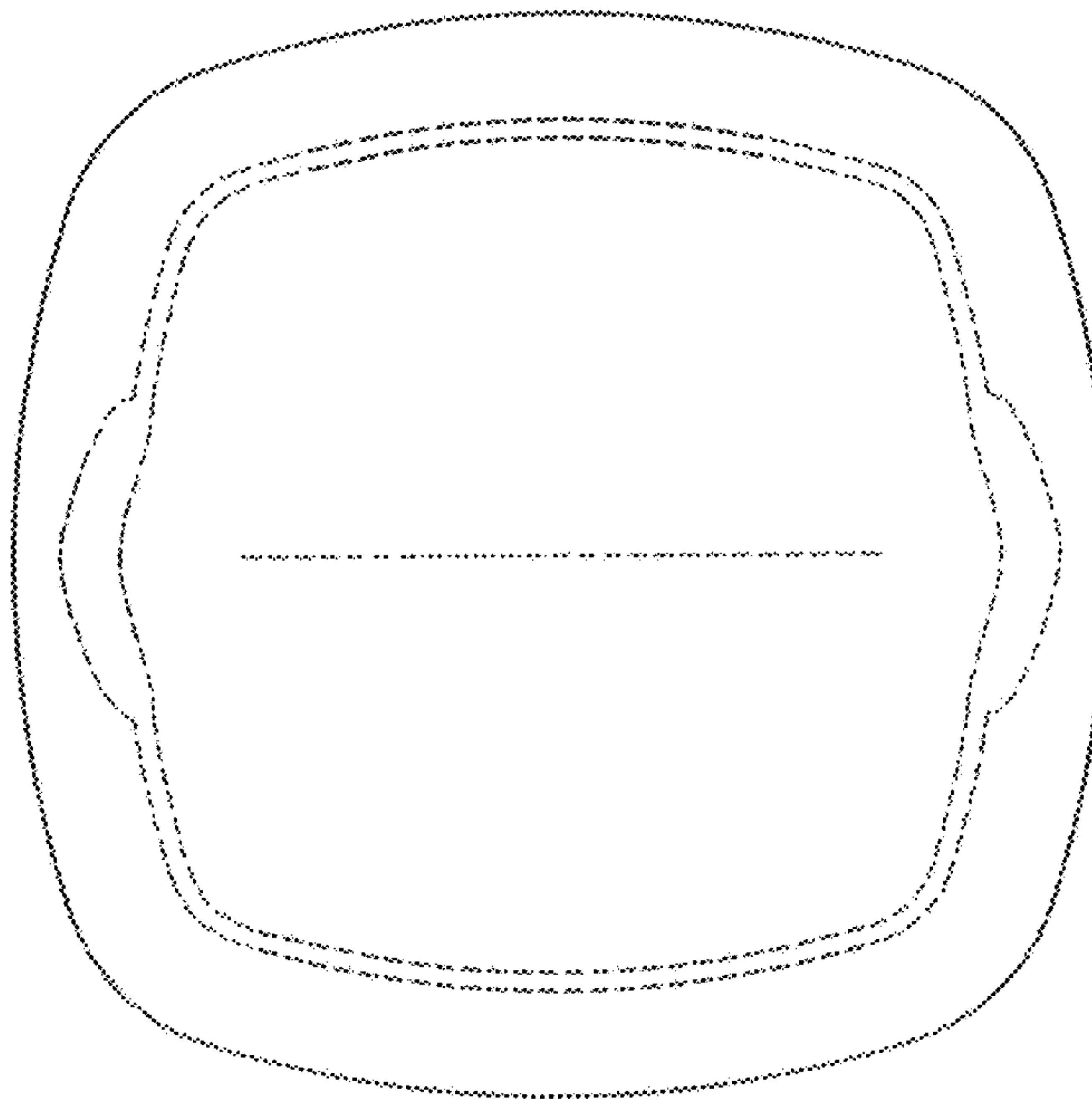


FIG. 7