



US00D838177S

(12) **United States Design Patent** (10) **Patent No.:** **US D838,177 S**
Paredes et al. (45) **Date of Patent:** **** Jan. 15, 2019**

- (54) **CONTAINER**
- (71) Applicant: **Owens-Brockway Glass Container Inc.**, Perrysburg, OH (US)
- (72) Inventors: **Raul Paredes**, Perrysburg, OH (US);
Paul Harris, Toledo, OH (US);
Douglas Laib, Perrysburg, OH (US);
Andrew Birkhoff, Columbus, OH (US);
Young Lee, Perrysburg, OH (US); **Lara Koenick**, Boyds, MD (US)
- (73) Assignee: **Owens-Brockway Glass Container Inc.**, Perrysburg, OH (US)
- (**) Term: **15 Years**
- (21) Appl. No.: **29/629,633**
- (22) Filed: **Dec. 14, 2017**
- (51) **LOC (11) Cl.** **09-01**
- (52) **U.S. Cl.**
USPC **D9/516; D9/500**
- (58) **Field of Classification Search**
USPC D9/500, 503–505, 516, 544–545, 549,
D9/558, 715, 719
CPC B65D 1/00; B65D 1/02; B65D 1/0223;
B65D 23/00; B65D 2501/00; B65D
2501/0009
See application file for complete search history.

- 3,745,150 A * 7/1973 Corsover B29C 49/0005
215/379
- D506,135 S * 6/2005 Breier D9/500
- D611,818 S * 3/2010 Monin D9/516
- D697,405 S 1/2014 Ahlgren et al.
- D718,137 S * 11/2014 Ahlgren D9/500
- D804,308 S * 12/2017 Reynolds D9/500
- D815,529 S * 4/2018 Lee D9/500

FOREIGN PATENT DOCUMENTS

FR 921217-001 4/1992

* cited by examiner

Primary Examiner — Dana Meyrow

(57) **CLAIM**

We claim the ornamental design for a container, as shown and described.

DESCRIPTION

FIG. 1 is a perspective view of a container in accordance with our new claimed design;

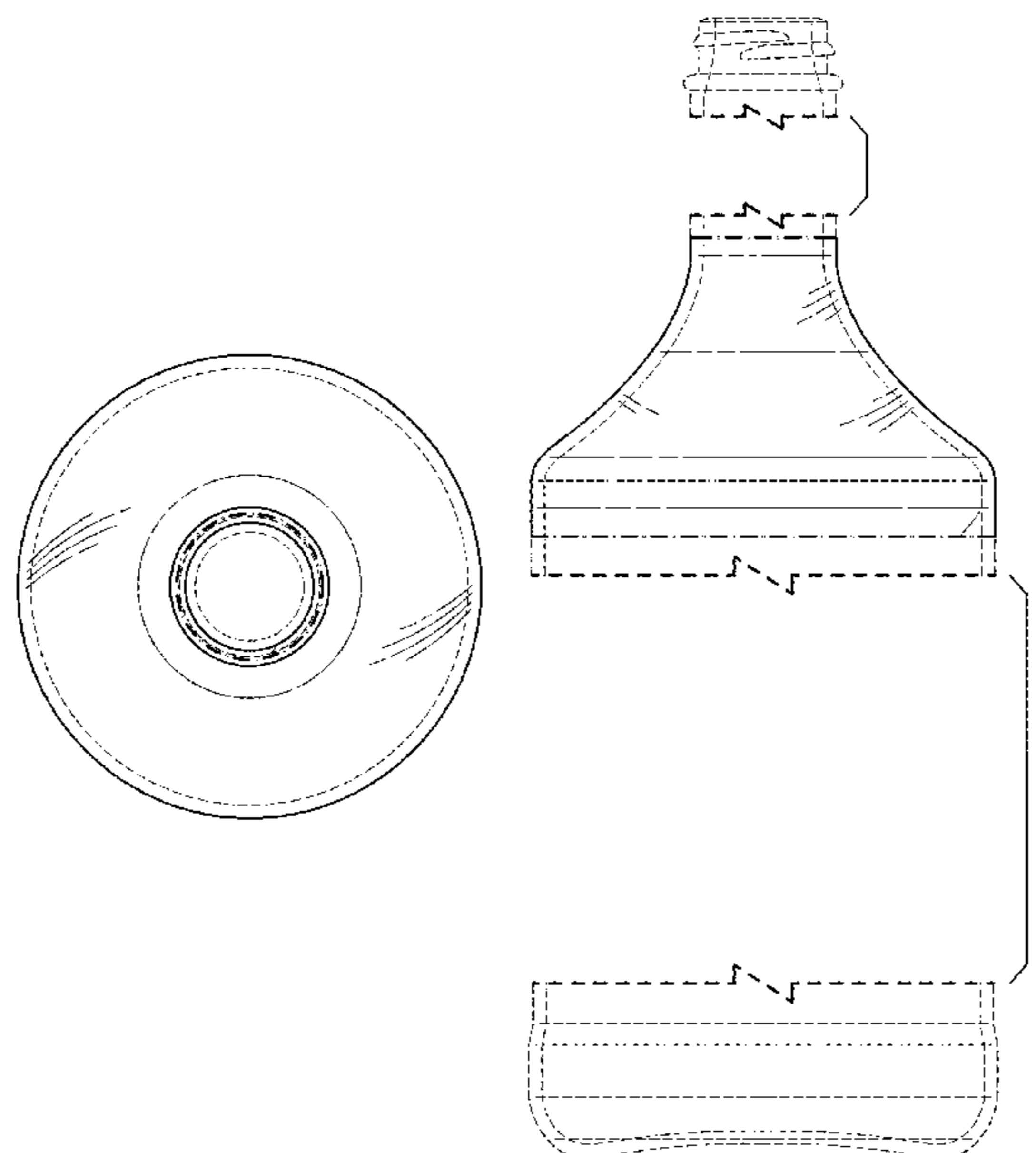
FIG. 2 is a top view of the container in FIG. 1; and, FIG. 3 is a front view of the container in FIG. 1, the rear and side views of the claimed design being identical to the front view of FIG. 3.

Dash-dash-dash broken lines shown in the drawings represent subject matter that is not part of the claimed design. Dash-dot-dash broken lines shown in the drawings represent boundaries of the claimed design and are not part of the claimed design.

Break lines, a bracket between the break lines, and any portion of the container between the break lines, form no part of the claimed design.

The heavy weight evenly-dashed broken break lines, the brackets between the break lines and any portion of the container between the break lines forms no part of the claimed design.

1 Claim, 2 Drawing Sheets



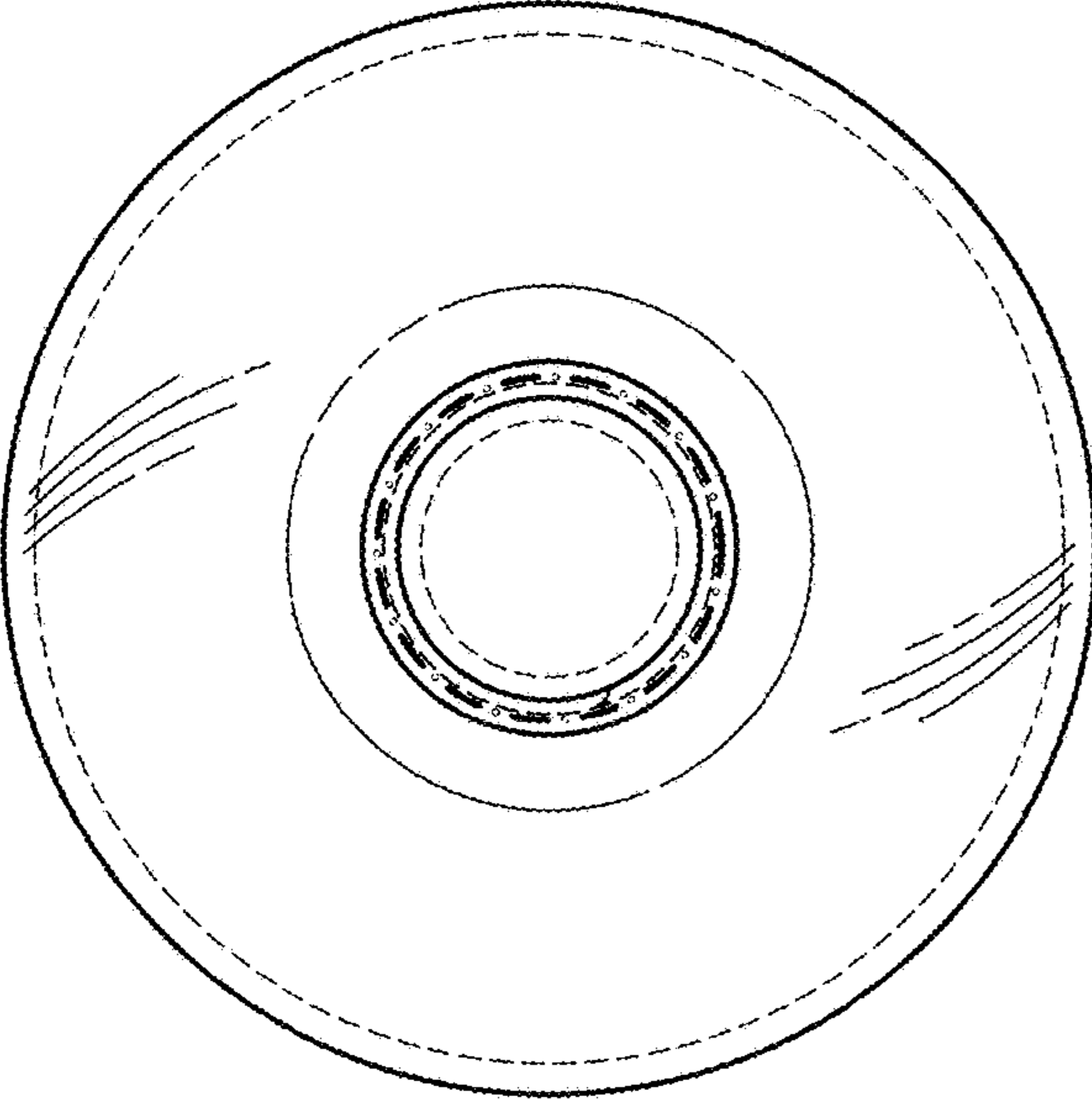


FIG. 2

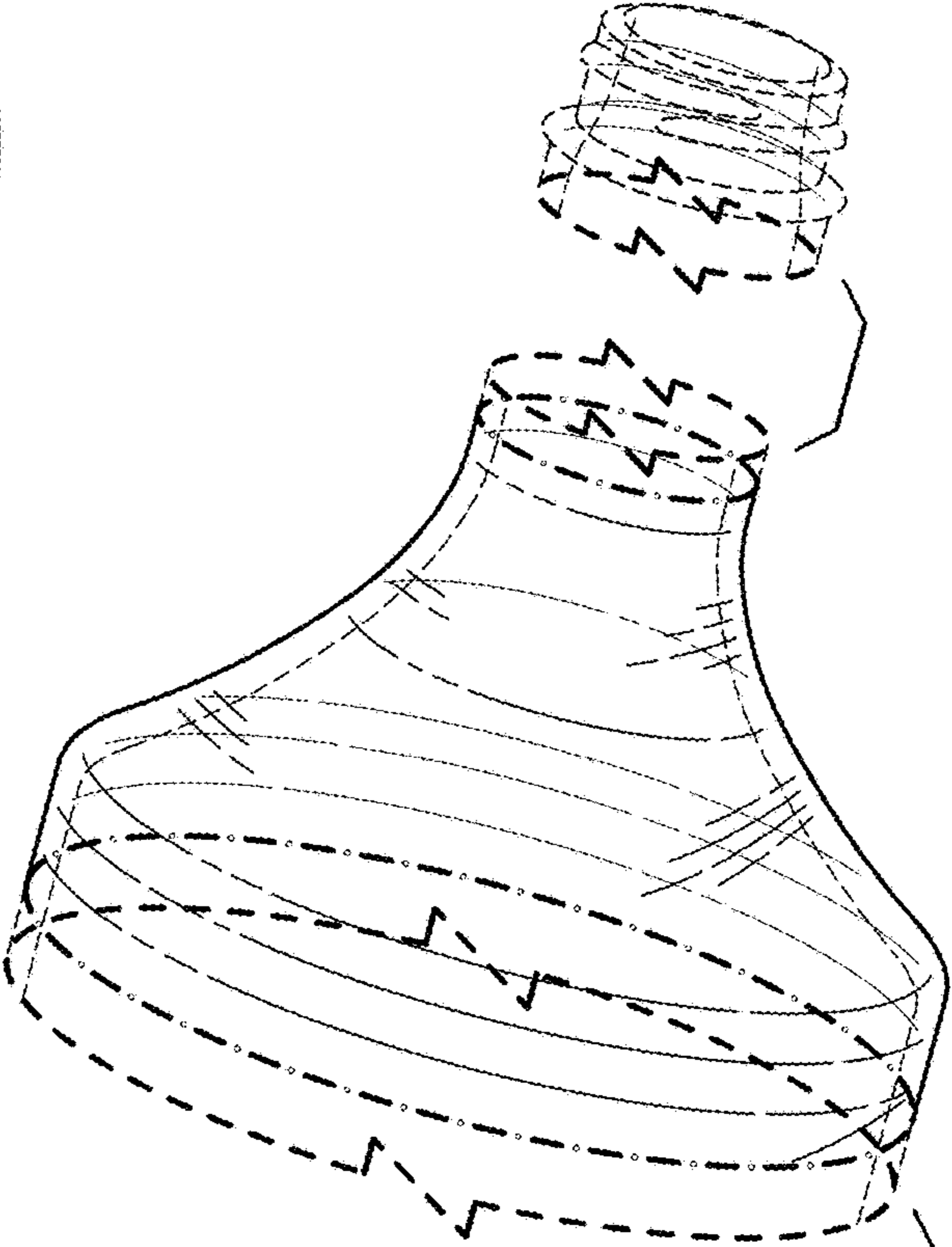
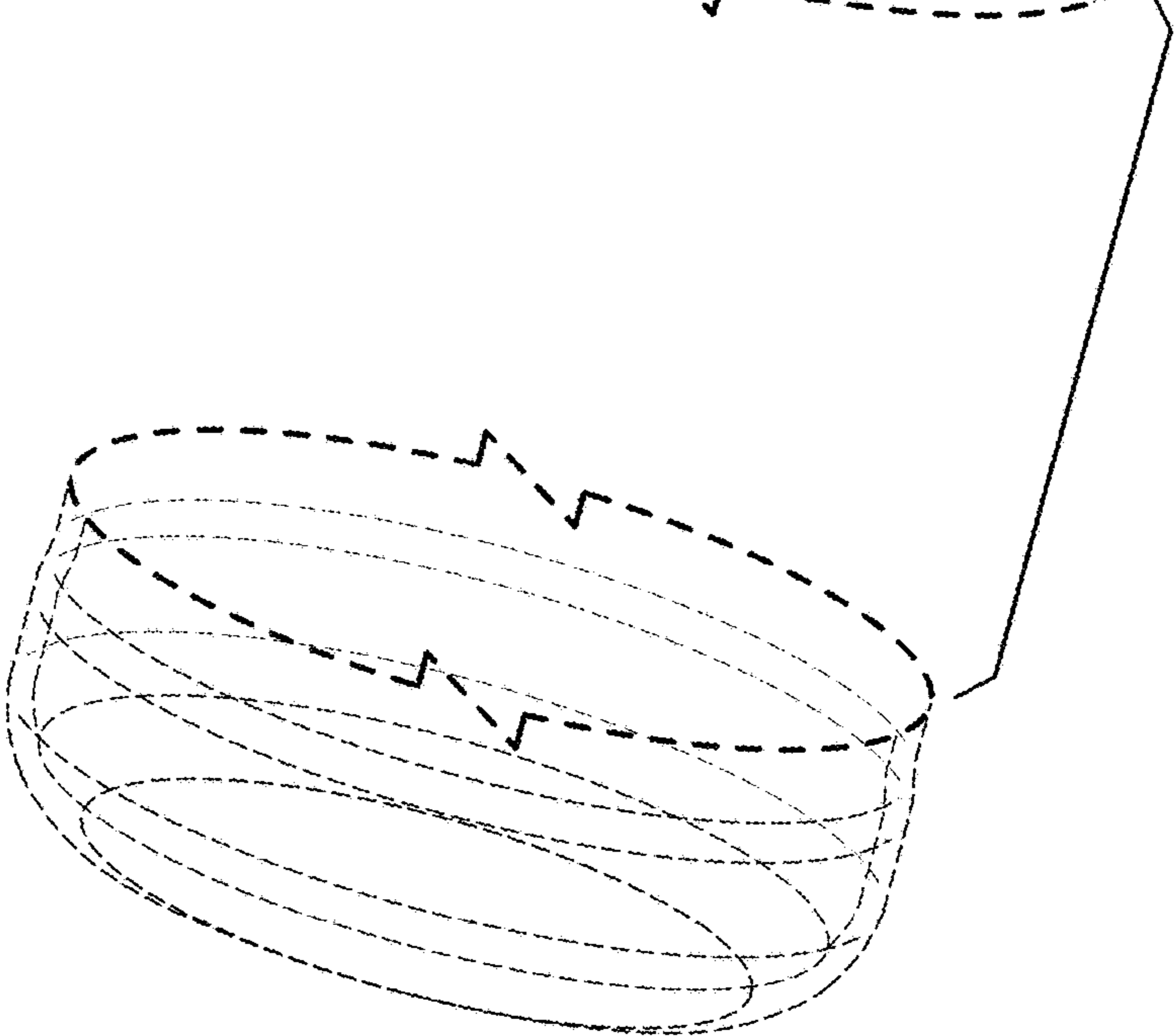


FIG. 1



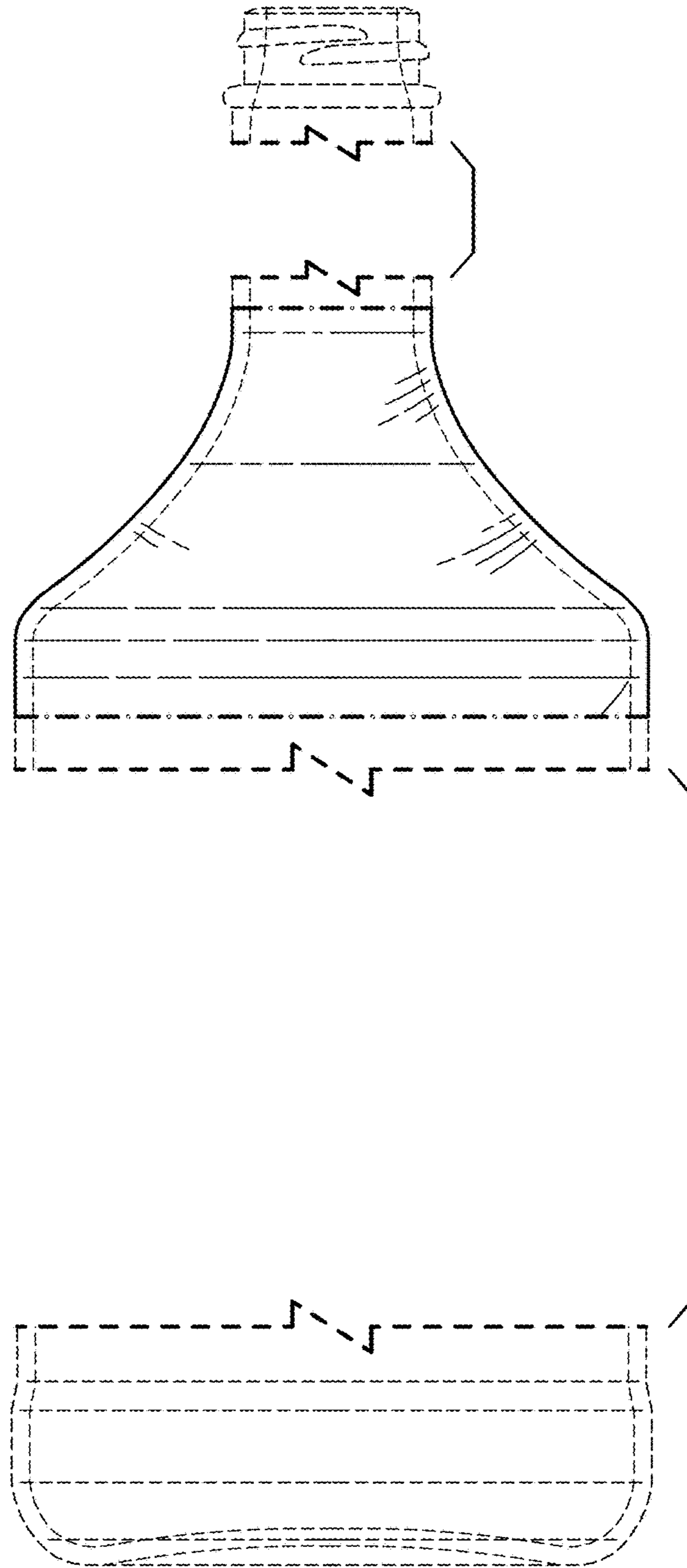


FIG. 3