



US00D838176S

(12) **United States Design Patent**
Harris et al.

(10) **Patent No.:** **US D838,176 S**
(45) **Date of Patent:** **** Jan. 15, 2019**

(54) **CONTAINER**

(71) Applicant: **Owens-Brockway Glass Container Inc., Perrysburg, OH (US)**

(72) Inventors: **Paul Harris, Toledo, OH (US); Raul M Paredes, Perrysburg, OH (US); Douglas Laib, Perrysburg, OH (US); Lara Koenick, Boyds, MD (US); Andrew Birkhoff, Columbus, OH (US); Young Lee, Perrysburg, OH (US)**

(73) Assignee: **Owens-Brockway Glass Container Inc., Perrysburg, OH (US)**

(**) Term: **15 Years**

(21) Appl. No.: **29/628,671**

(22) Filed: **Dec. 6, 2017**

(51) **LOC (11) Cl.** **09-01**

(52) **U.S. Cl.**
USPC **D9/516; D9/500**

(58) **Field of Classification Search**
USPC D9/500, 503–505, 516, 544–545, 549, D9/558, 715, 719
CPC B65D 1/00; B65D 1/02; B65D 1/0223; B65D 23/00; B65D 2501/00; B65D 2501/0009
See application file for complete search history.

(56) **References Cited**

U.S. PATENT DOCUMENTS

D33,630 S * 12/1900 Kilmer D9/500
2,374,092 A * 4/1945 Glaser A47G 19/2205
141/380
D210,514 S * 3/1968 Brammer D9/500
3,745,150 A * 7/1973 Corsover B29C 49/0005
215/379

D414,417 S 9/1999 Alt
D506,135 S * 6/2005 Breier D9/500
D611,818 S * 3/2010 Monin D9/516
D660,154 S * 5/2012 Franco D9/500
D697,405 S 1/2014 Ahlgren et al.
D713,250 S 9/2014 Perez-Cabrera
D718,137 S * 11/2014 Ahlgren D9/500
D731,316 S 6/2015 Joblonska
D799,966 S * 10/2017 Kang D9/500
D804,308 S * 12/2017 Reynolds D9/500
D815,529 S * 4/2018 Lee D9/500

* cited by examiner

Primary Examiner — Dana Meyrow

(57) **CLAIM**

We claim the ornamental design for a container, as shown and described.

DESCRIPTION

FIG. 1 is a perspective view of a container in accordance with our new claimed design.

FIG. 2 is a front view of the container in FIG. 1, the rear and side views of the claimed design being identical to the front view of FIG. 2; and,

FIG. 3 is an enlarged top view of the container in FIG. 1. Dash-dash-dash broken lines shown in the drawings represent subject matter that is not part of the claimed design. Dash-dot-dash broken lines shown in the drawings represent boundaries of the claimed design and are not part of the claimed design.

Break lines, a bracket between the break lines, and any portion of the container between the break lines, form no part of the claimed design.

The heavy weight evenly-dashed broken break lines, the bracket between the break lines and any portion of the container between the break lines forms no part of the claimed design.

1 Claim, 2 Drawing Sheets

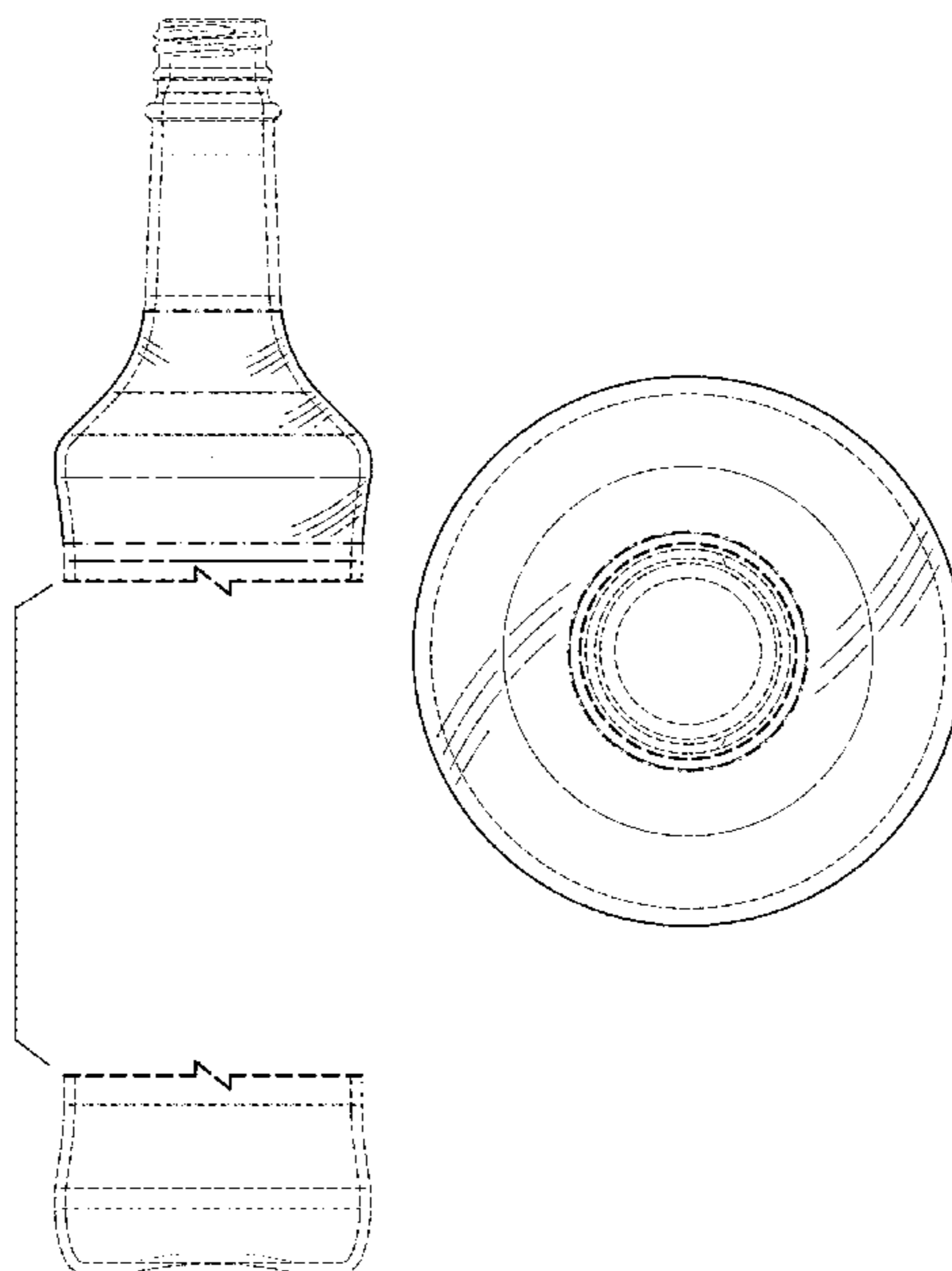


FIG. 1

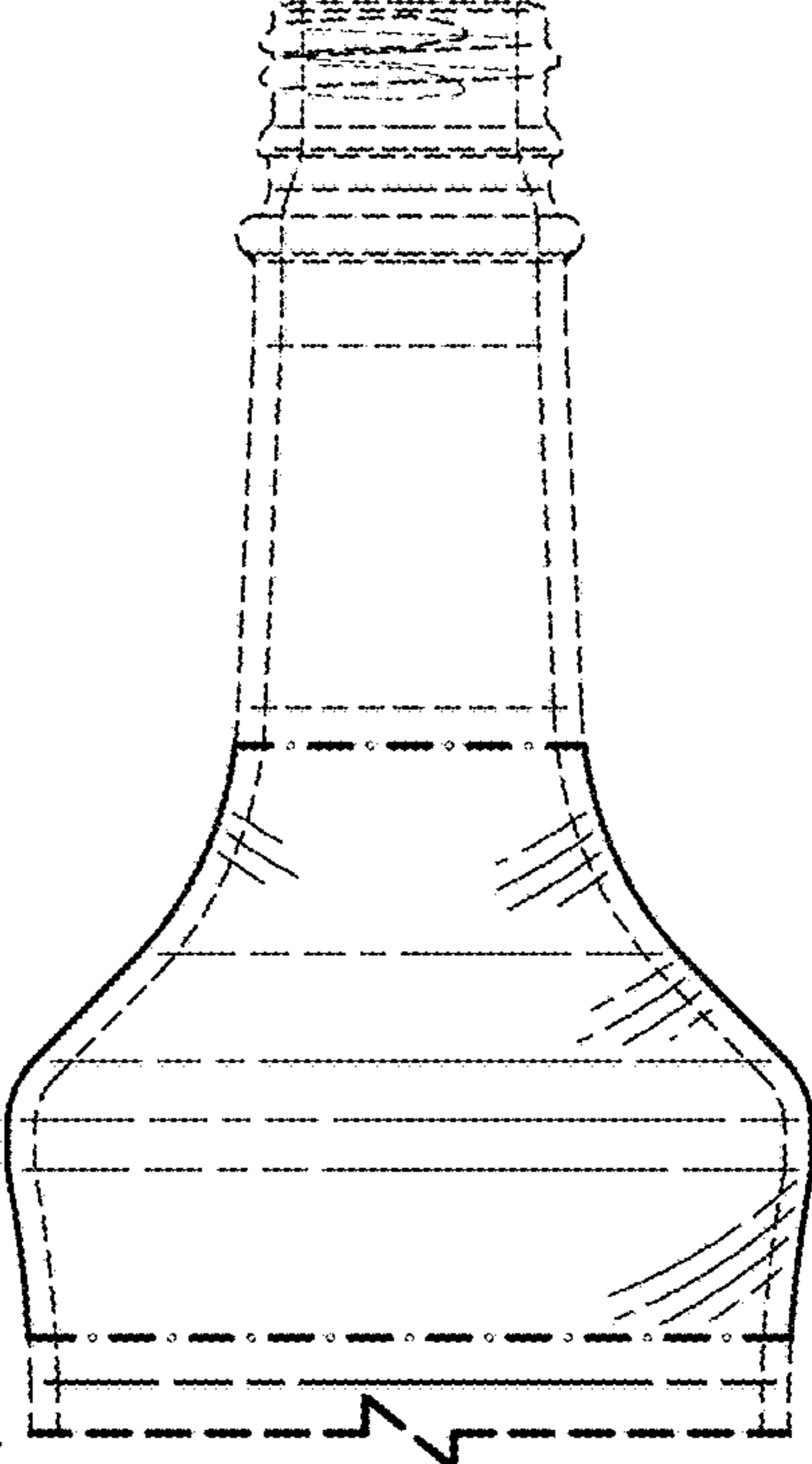
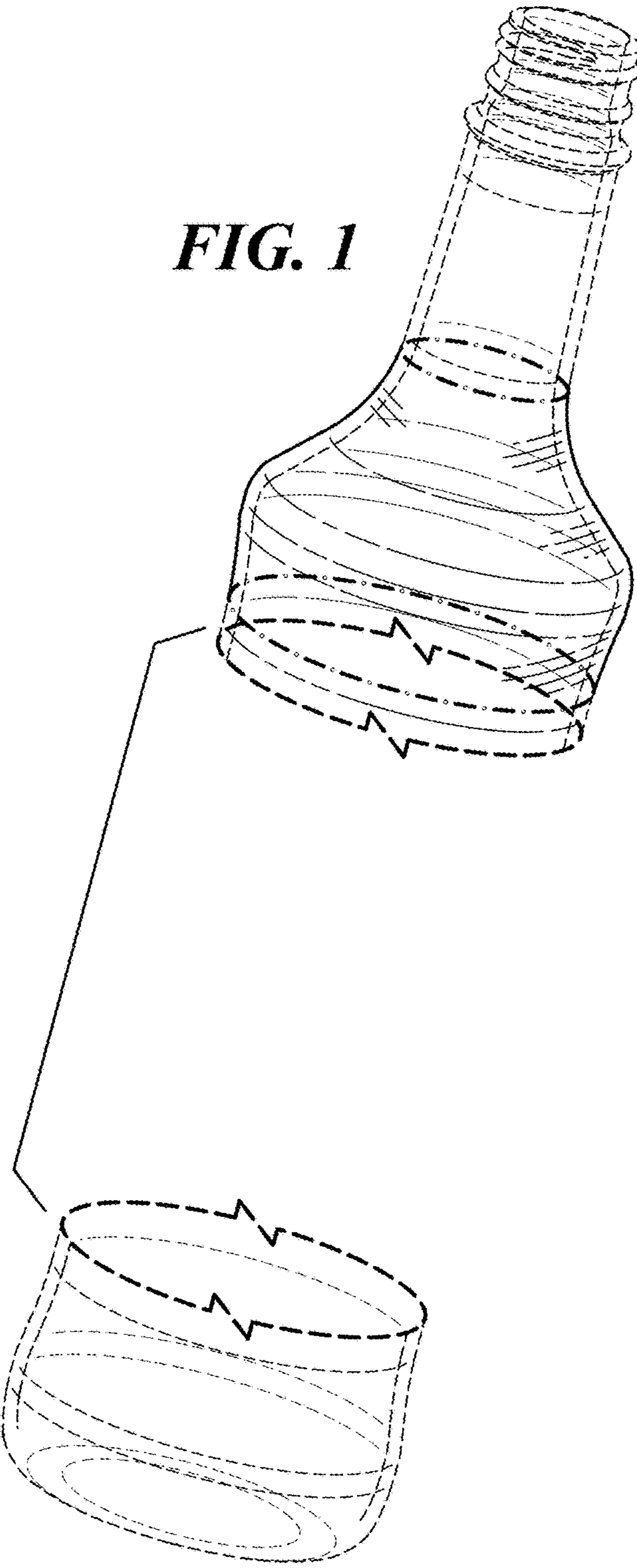
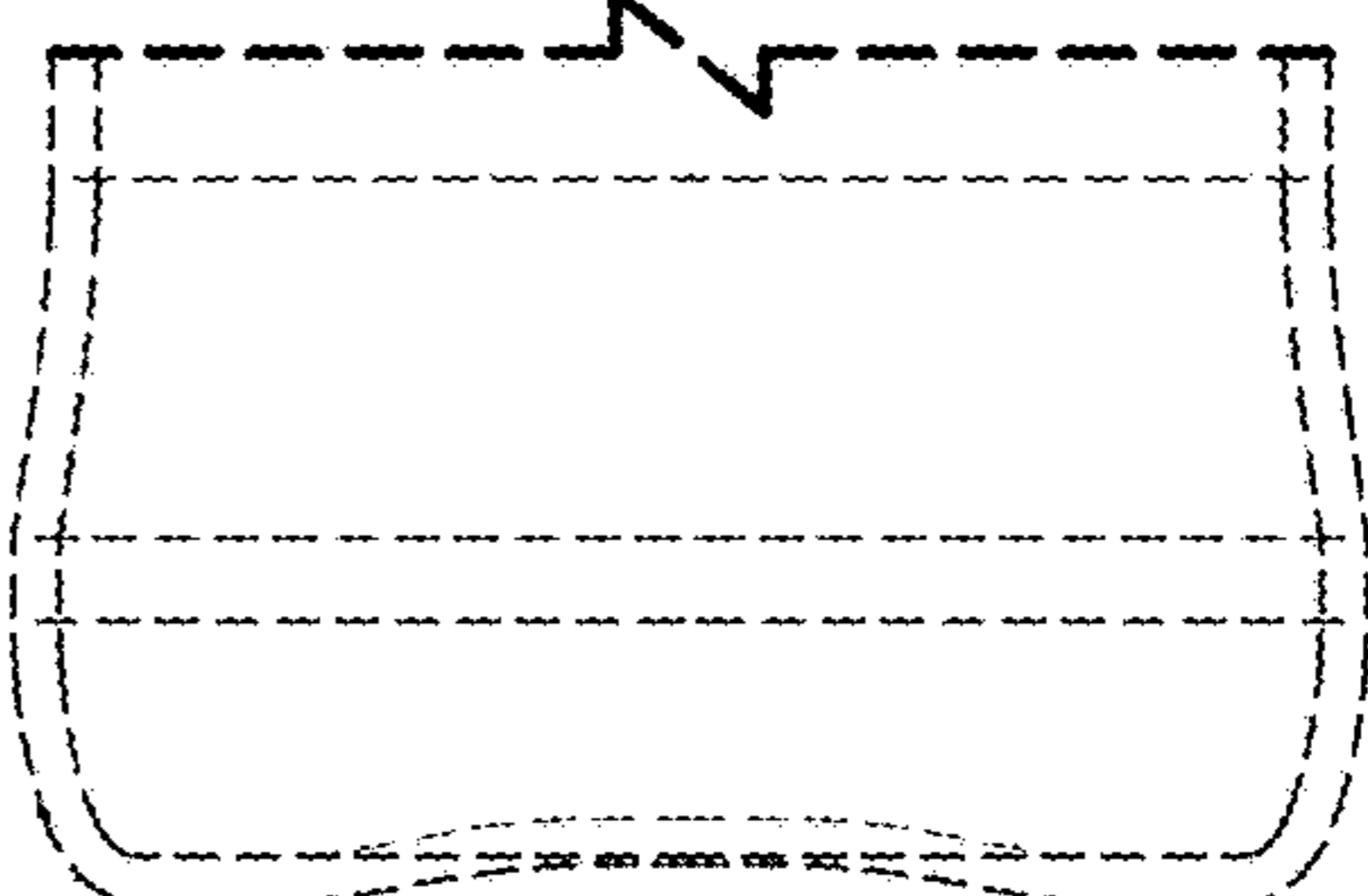


FIG. 2



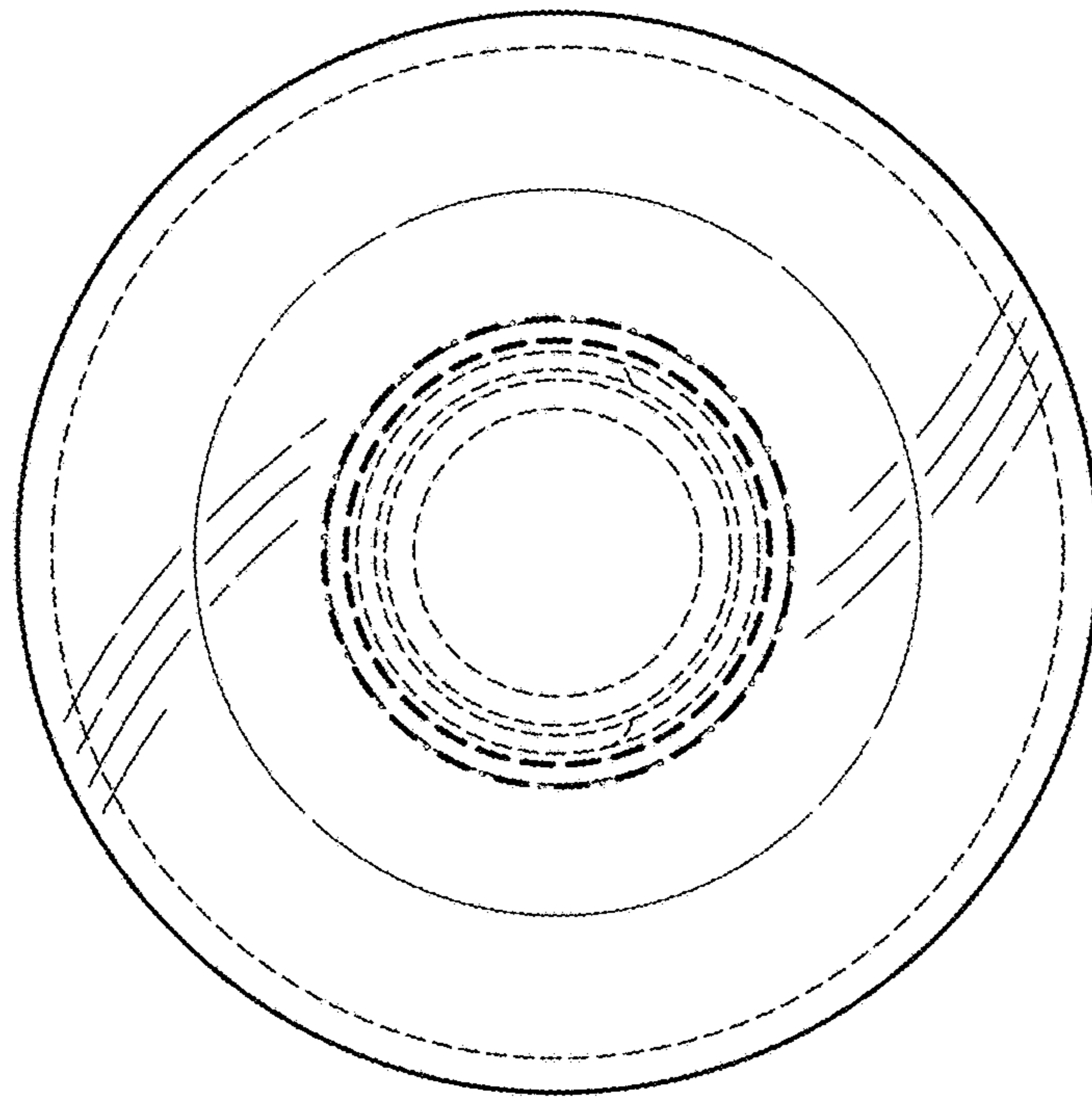


FIG. 3