



US00D838174S

(12) **United States Design Patent**
Cho et al.

(10) **Patent No.:** **US D838,174 S**

(45) **Date of Patent:** **** Jan. 15, 2019**

(54) **WATCH PACKAGING**

(71) Applicant: **Samsung Electronics Co., Ltd.**,
Suwon-si (KR)

(72) Inventors: **Set Byul Cho**, Seoul (KR); **Hyeryoung Lee**, Seongnam-si (KR)

(73) Assignee: **SAMSUNG ELECTRONICS CO., LTD.**, Suwon-si (KR)

(**) Term: **15 Years**

(21) Appl. No.: **29/580,720**

(22) Filed: **Oct. 12, 2016**

(30) **Foreign Application Priority Data**

Aug. 24, 2016 (KR) 30-2016-0041397

(51) **LOC (11) Cl.** **09-03**

(52) **U.S. Cl.**
USPC **D9/500; D9/414; D9/456; D9/501**

(58) **Field of Classification Search**
USPC D9/414, 418, 424, 428, 455-456, 499,
D9/500-501, 503-504, 516, 549, 558,
D9/715-716; D6/673, 677, 677.5;
D13/108; D14/434

CPC ... B65D 1/00; B65D 1/22; B65D 1/24; B65D
25/00; B65D 71/00; B65D 71/003; B65D
2577/00

See application file for complete search history.

(56) **References Cited**

U.S. PATENT DOCUMENTS

D451,386 S * 12/2001 Rice D3/302
D455,552 S * 4/2002 Charness D3/302
D560,495 S * 1/2008 Mettler D28/91
D643,831 S * 8/2011 Chun D13/108
D703,537 S * 4/2014 Vogel D7/630
D734,384 S * 7/2015 Han D14/253
D757,014 S 5/2016 Hahn et al.

D761,343 S * 7/2016 Schmidt D16/202
D780,117 S * 2/2017 Nauroy D13/108
D796,954 S * 9/2017 Lun D9/456

(Continued)

FOREIGN PATENT DOCUMENTS

KR 30-0826239 11/2015
KR 30-0841654 2/2016

Primary Examiner — Dana Meyrow

(74) *Attorney, Agent, or Firm* — McAndrews Held & Malloy, Ltd.

(57) **CLAIM**

The ornamental design for watch packaging, as shown and described.

DESCRIPTION

FIG. 1 is a top left perspective view of watch packaging showing our new design;

FIG. 2 is a front elevation view thereof, the rear, left-side, and right-side elevation views being identical to the front elevation view;

FIG. 3 is a top plan view thereof;

FIG. 4 is a bottom plan view thereof;

FIG. 5 is a top right perspective view thereof;

FIG. 6 is a another top left perspective view thereof;

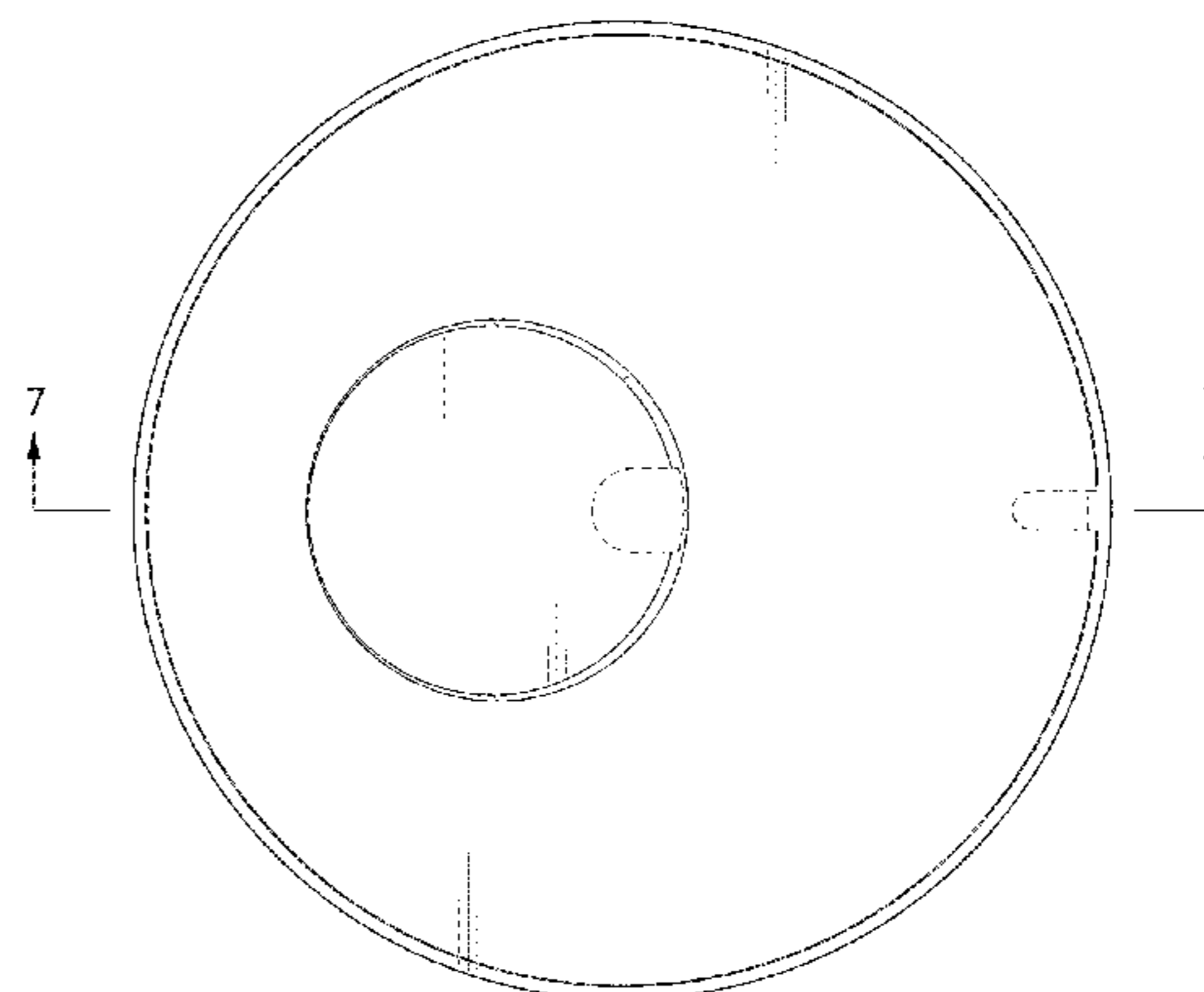
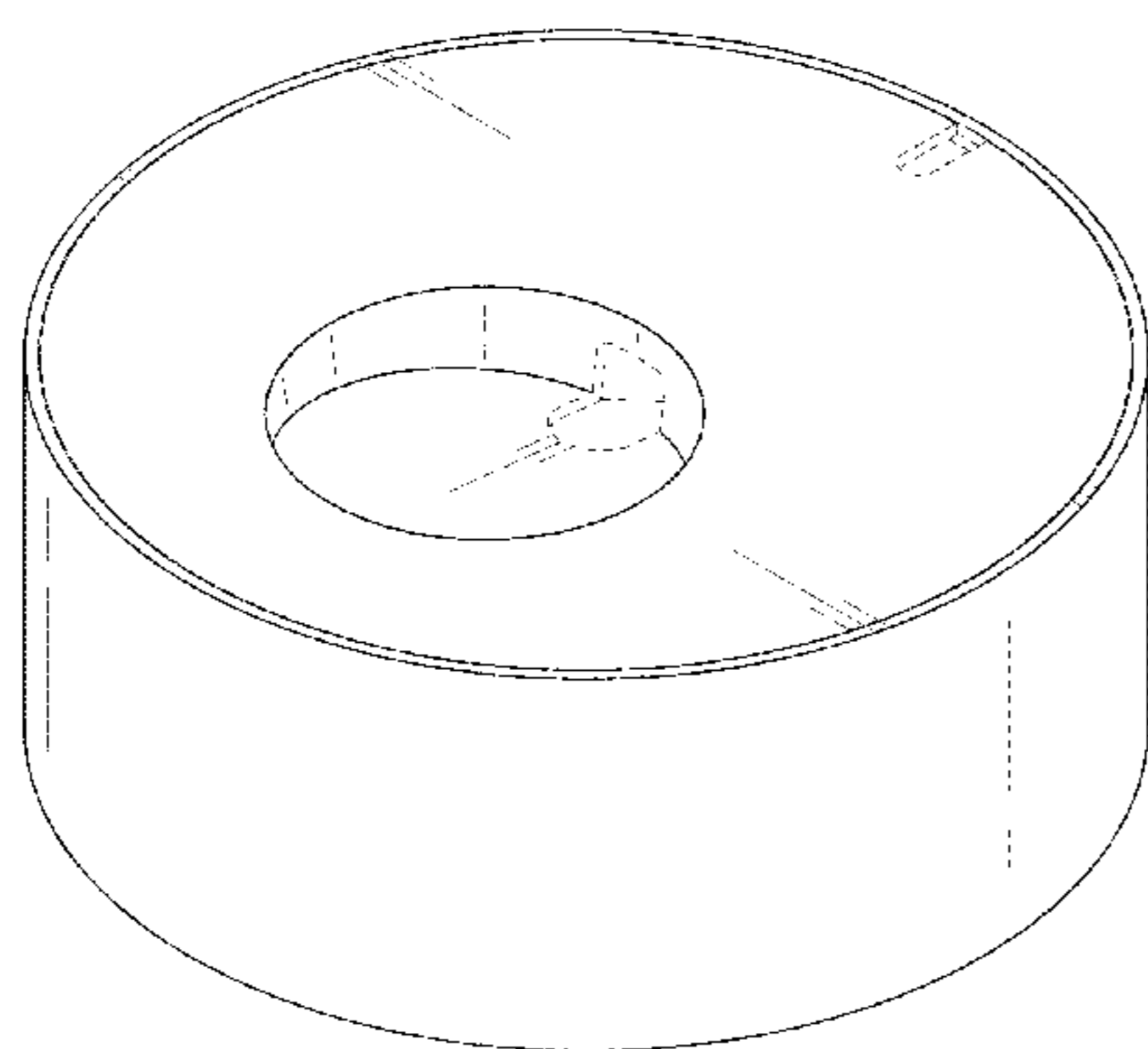
FIG. 7 is a cross-sectional view taken along the line 7-7 in FIG. 3;

FIG. 8 is an exploded top left perspective view thereof, showing a stand component and cover to provide example environment; and,

FIG. 9 is a top left perspective view thereof, showing a smart watch, a stand component, and a charging cord to provide example environment.

The dashed broken lines in the drawings represent portions of the watch packaging that form no part of the claimed design. The dot-dash broken lines in FIGS. 8-9 are for environmental purposes only and form no part of the claimed design.

1 Claim, 9 Drawing Sheets



(56)

References Cited

U.S. PATENT DOCUMENTS

D798,808 S	*	10/2017	Ptok	D13/108
D816,030 S	*	4/2018	Sumida	D13/108
D817,268 S	*	5/2018	Symons	D13/108

* cited by examiner

FIG. 1

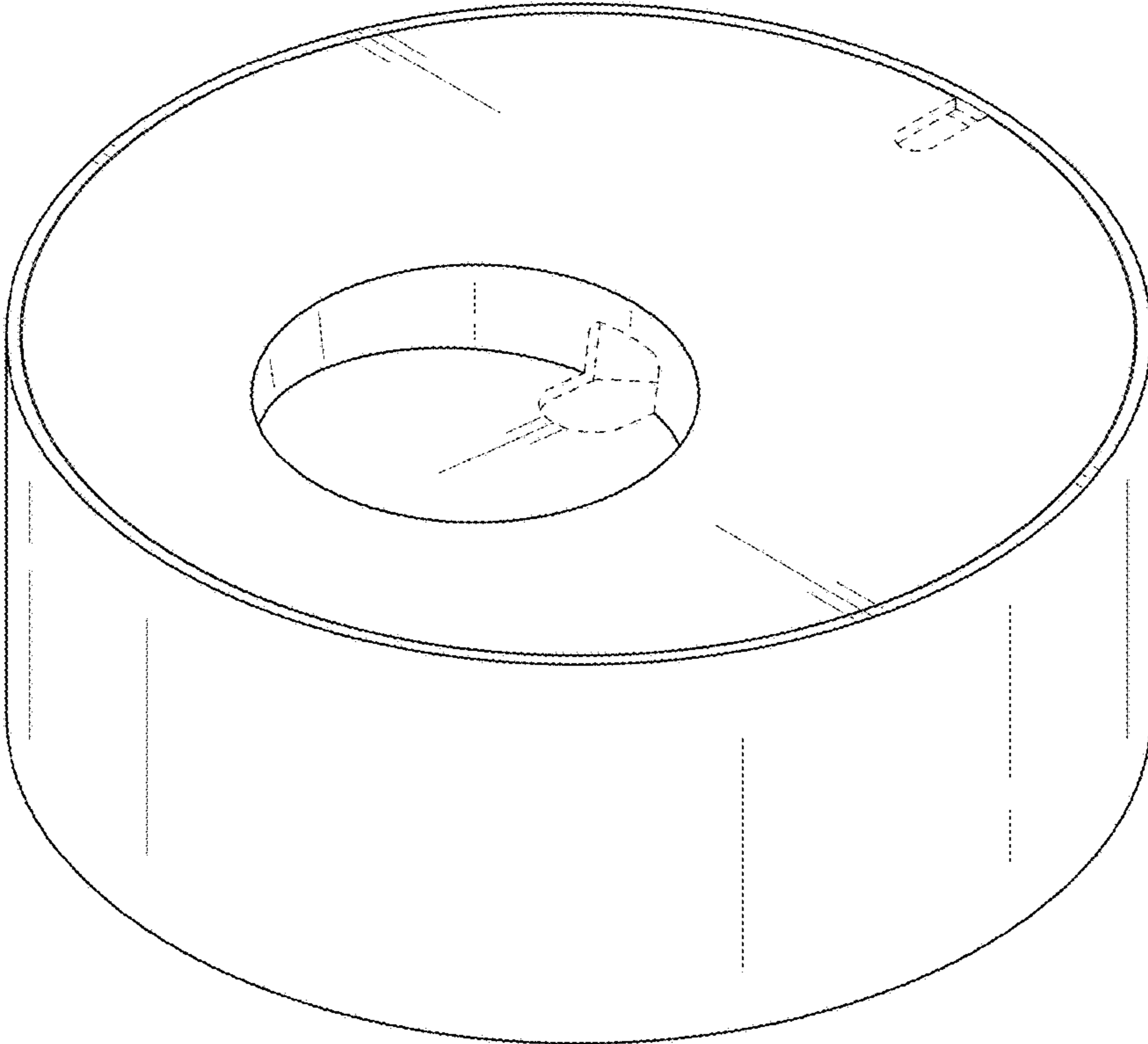


FIG. 2

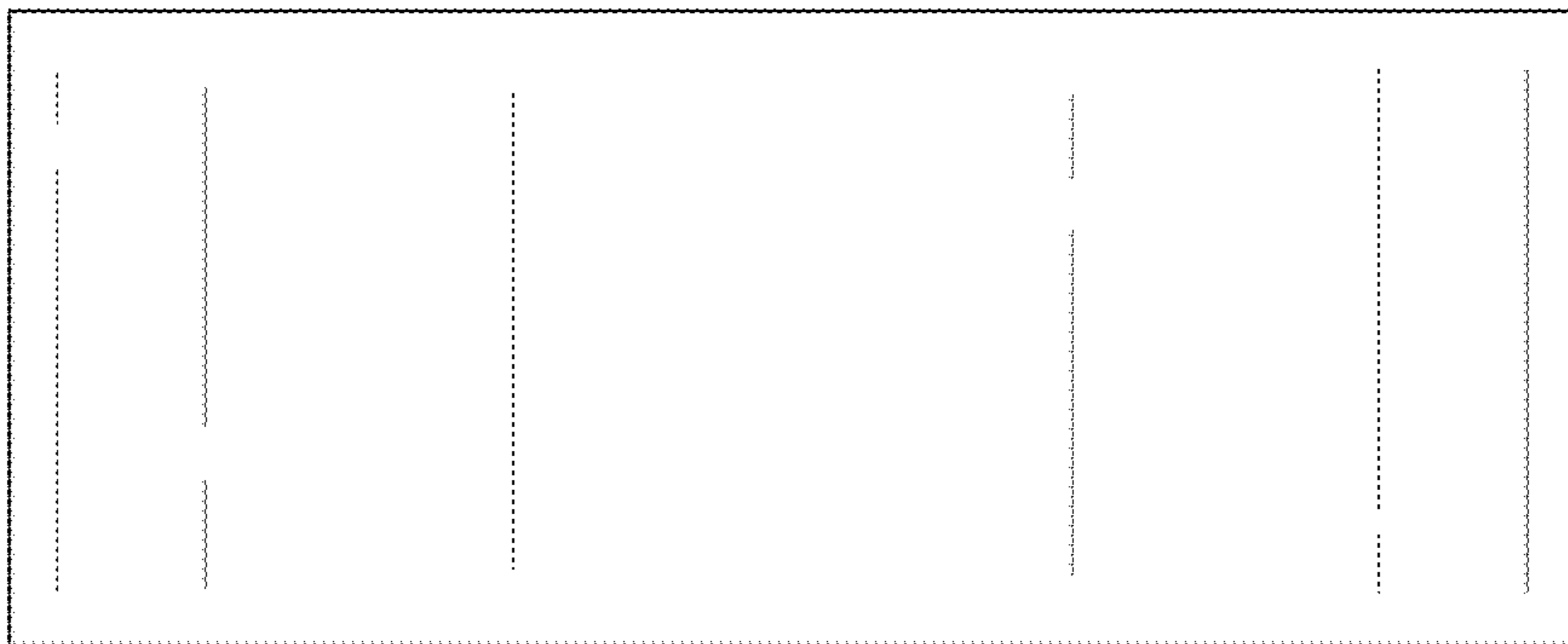


FIG. 3

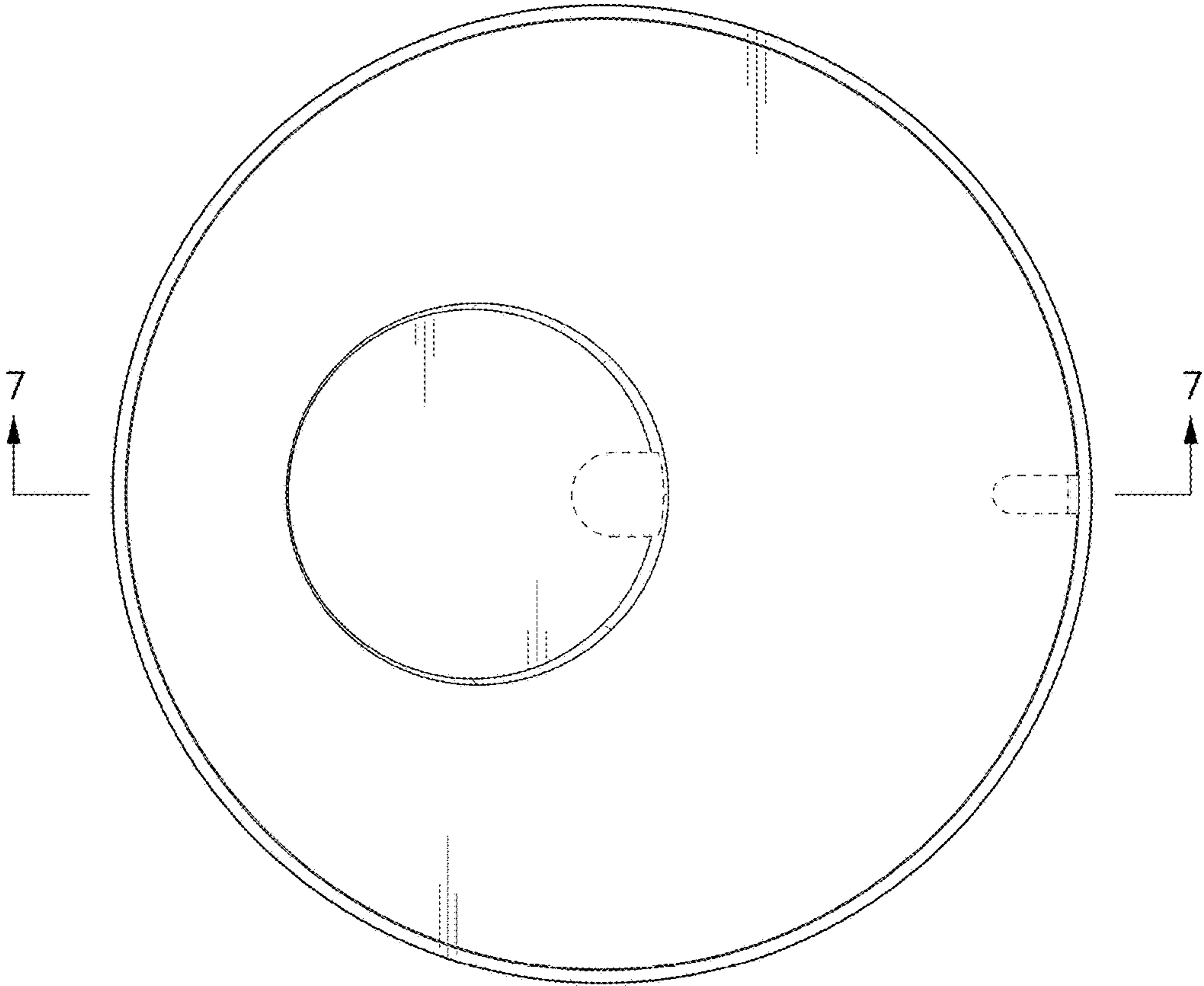


FIG. 4

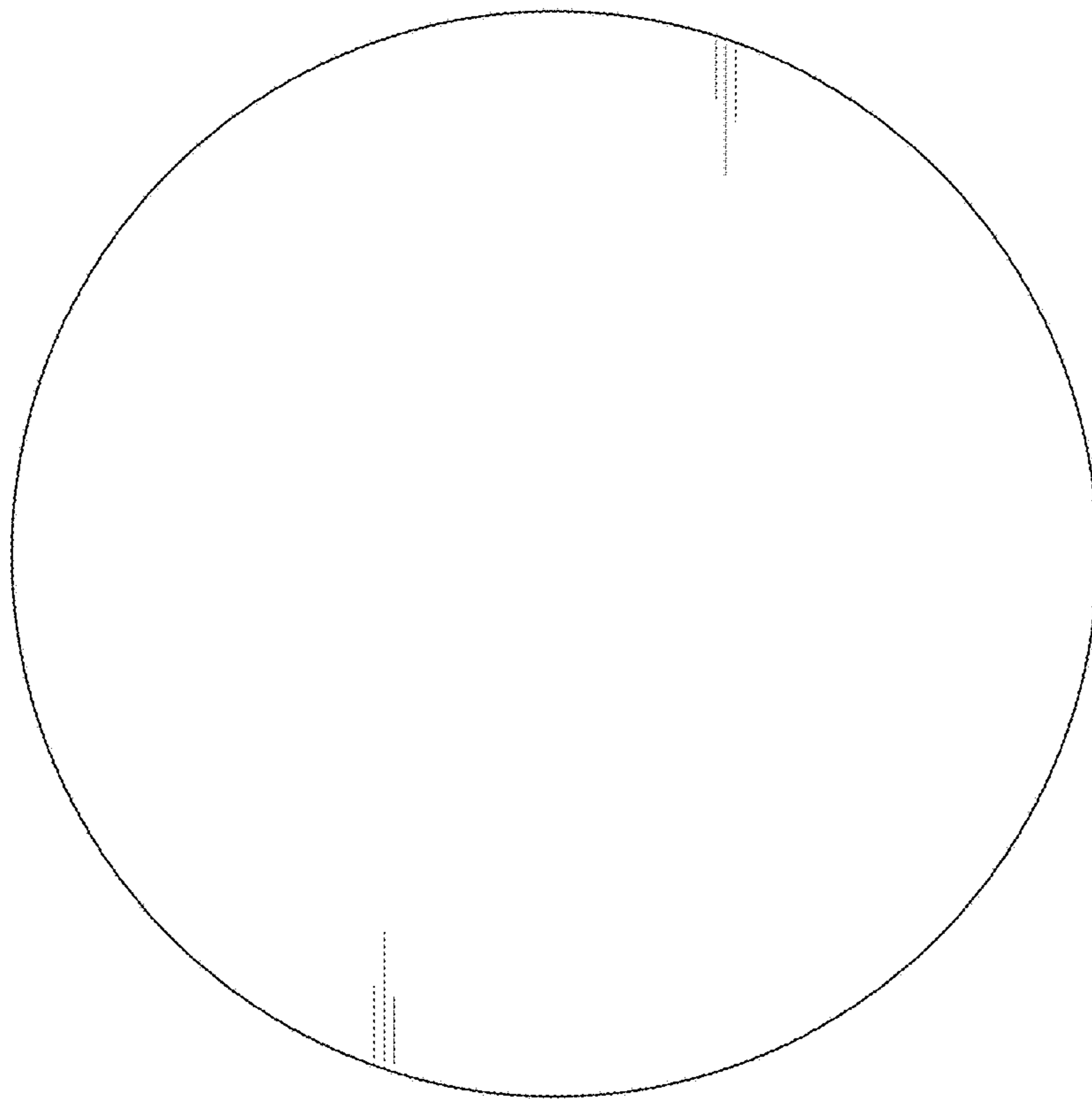


FIG. 5

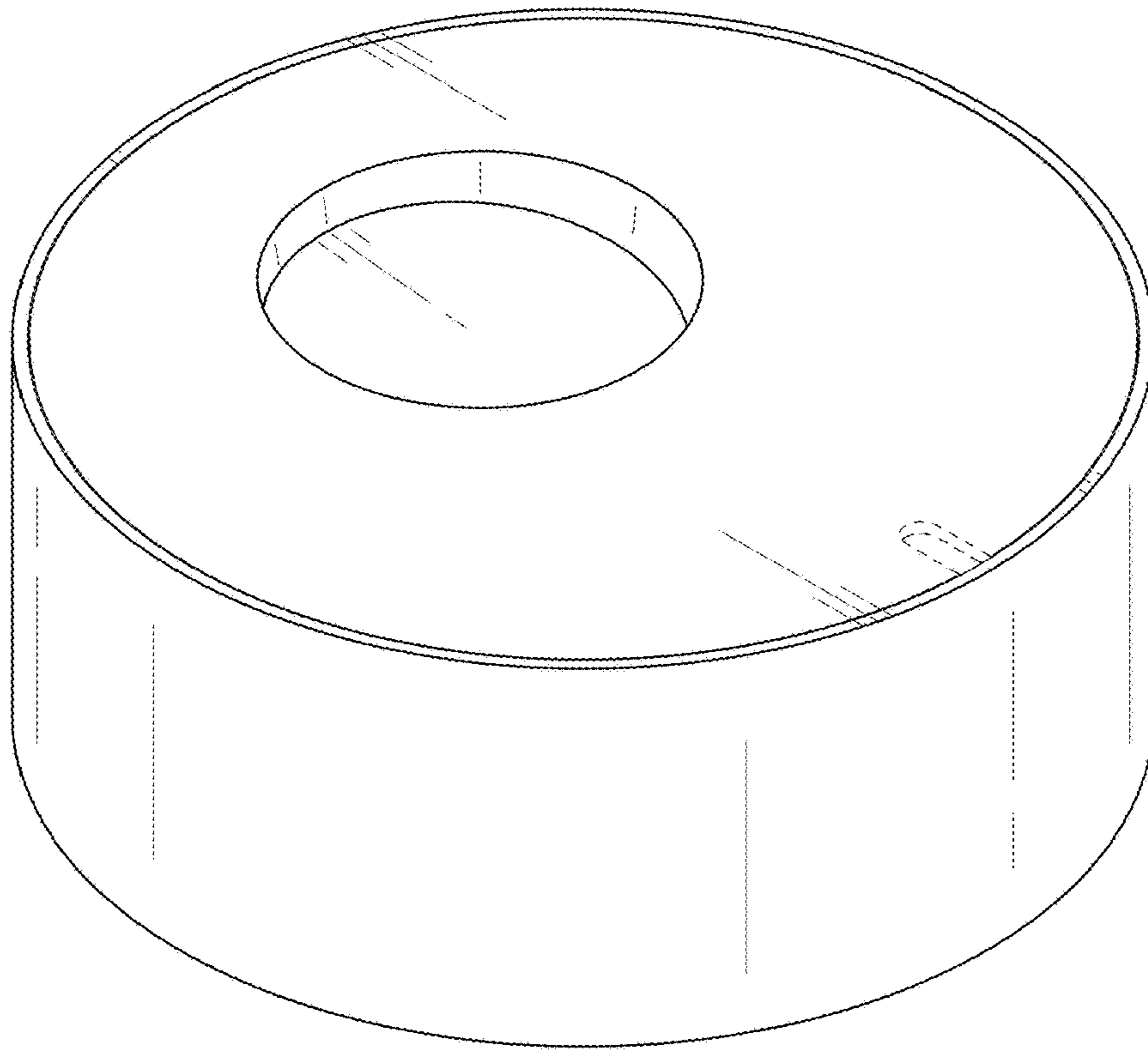


FIG. 6

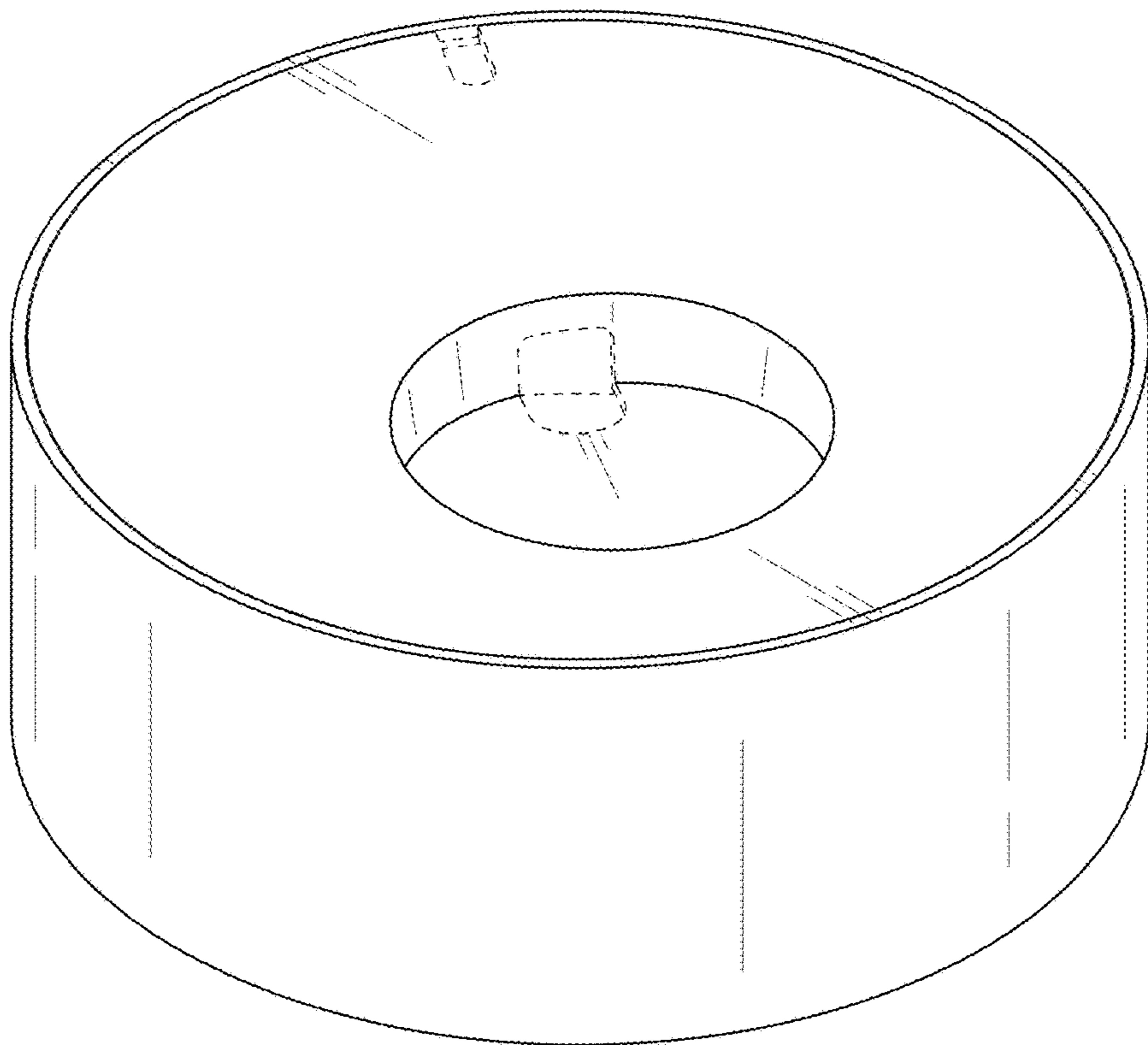


FIG. 7

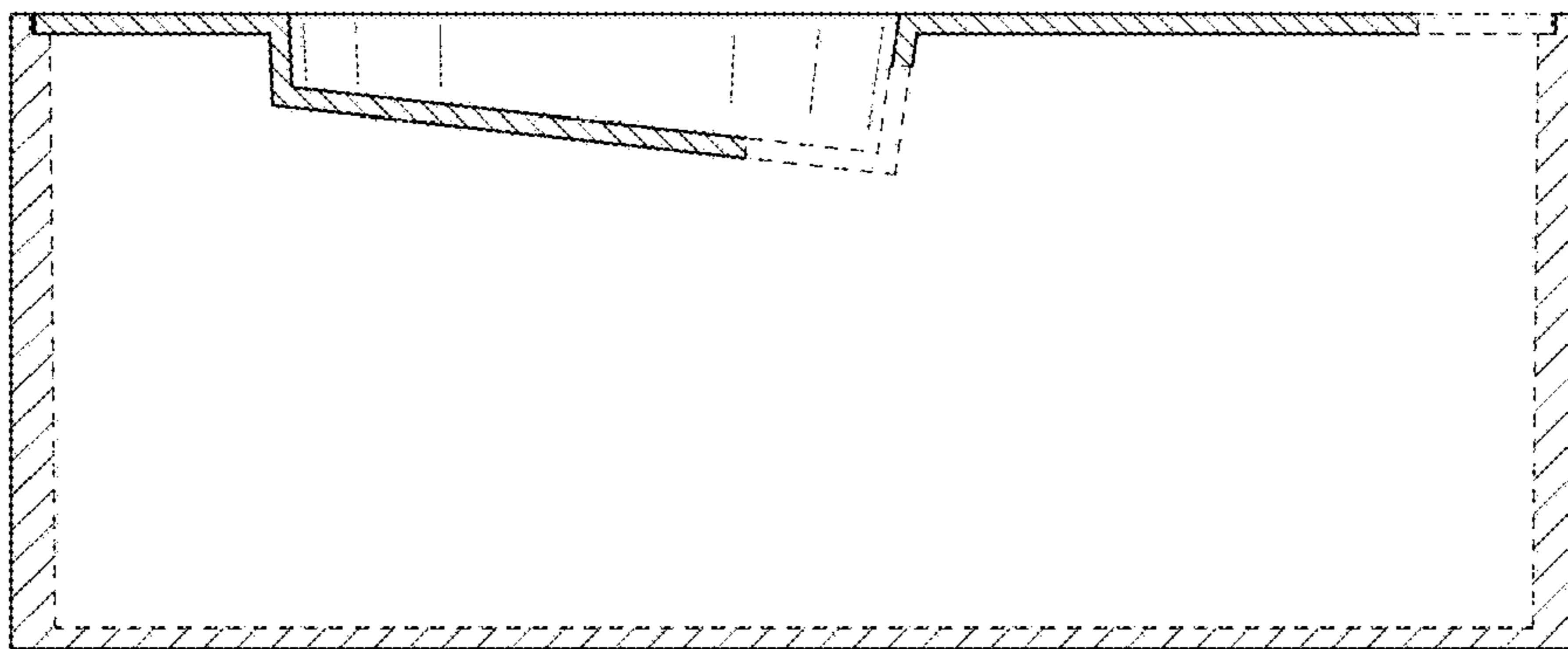


FIG. 8

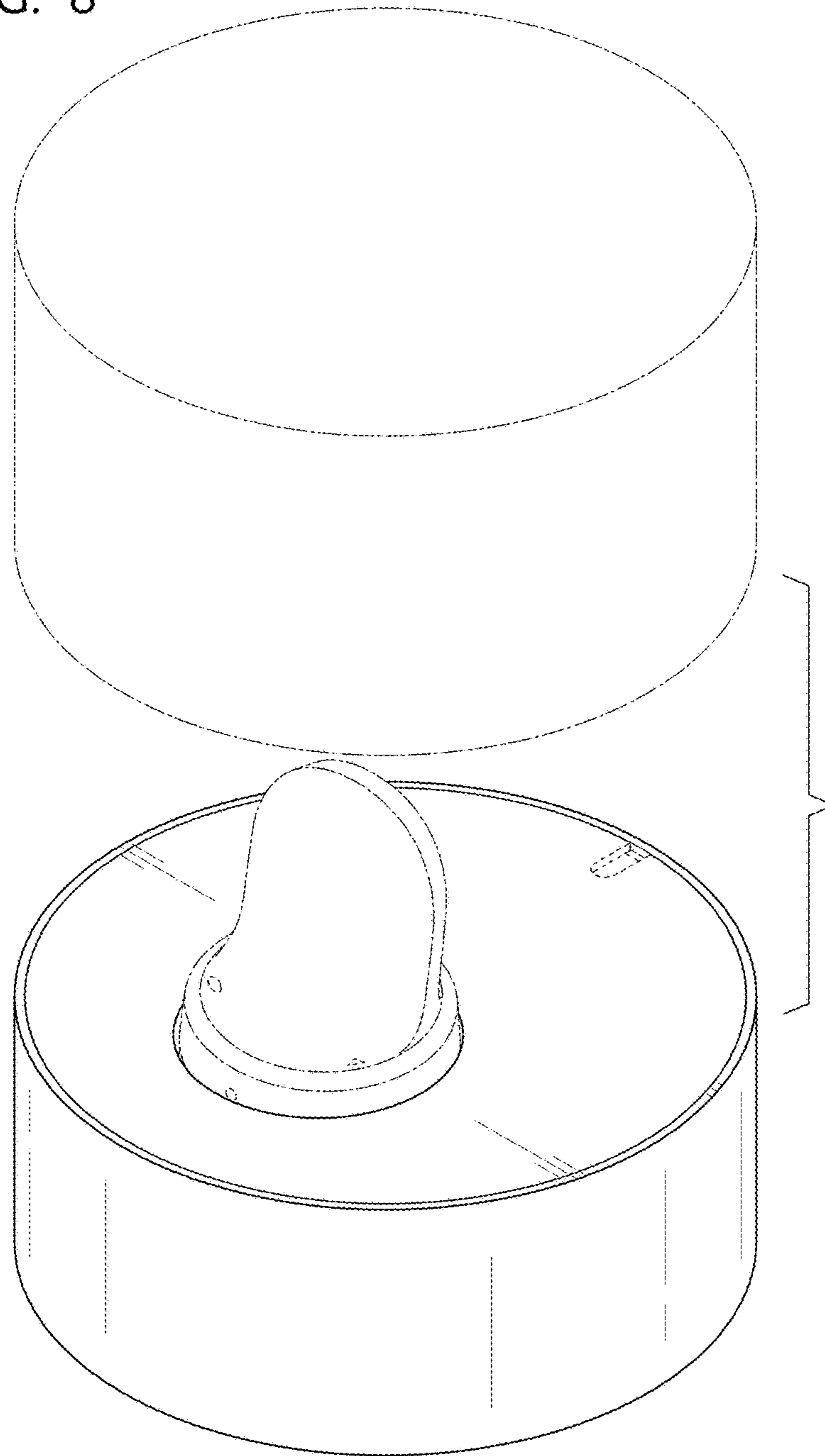


FIG. 9

