



US00D838172S

(12) **United States Design Patent**  
**Tartock et al.**

(10) **Patent No.:** **US D838,172 S**  
(45) **Date of Patent:** **\*\* Jan. 15, 2019**

(54) **CLOSURE**

(71) Applicant: **Closure Systems International Inc.**,  
Lake Forest, IL (US)

(72) Inventors: **Russell Lewis Tartock**, Crawfordsville,  
IN (US); **Larry Holmes**, Fishers, IN  
(US)

(73) Assignee: **Closure Systems International Inc.**,  
Lake Forest, IL (US)

(\*\*) Term: **15 Years**

(21) Appl. No.: **29/594,643**

(22) Filed: **Feb. 21, 2017**

(51) **LOC (11) Cl.** ..... **09-07**

(52) **U.S. Cl.**  
USPC ..... **D9/454**

(58) **Field of Classification Search**

USPC ..... D3/27, 90, 202, 318; D6/349, 355, 702;  
D8/300, 310, 311, 312, 315, 339, 349,  
D8/402, 446, 447, 449, 453, 529;  
D9/414-435, 438, 440, 445, 446, 447,  
D9/449, 499, 453, 454, 516, 529, 686,  
D9/688, 723, 724, 763, 772; D19/162,  
D19/163, 164, 165, 192, 194; D23/249,  
D23/259, 260, 261; D7/300, 300.1, 313,  
D7/314, 316, 387, 391, 392.1, 393, 396.1,  
D7/396.2, 396, 397, 398, 401.1, 509, 510,  
D7/511, 523, 525, 526, 538, 602, 619.1,  
D7/900

CPC . B65D 23/00; B65D 1/00; B65D 1/02; B65D  
1/0223; B65D 51/1694; B65D 43/0212;  
B65D 43/0208; B65D 43/26; B65D  
47/122; B65D 77/24; B65D 5/00-5/02;  
B65D 5/0209-5/0272; B65D 5/029;  
B65D 5/40; B65D 5/72; B65D 5/541;  
B65D 5/705; B65D 5/706; B65D 5/727;  
B65D 5/4204; B65D 1/0233; B65D 1/22;

B65D 1/32; B65D 1/36; B65D 1/40;  
B65D 1/225; B65D 23/12; B65D 23/14;  
B65D 2501/0008; B65D 2543/00296;  
(Continued)

(56) **References Cited**

U.S. PATENT DOCUMENTS

D209,789 S \* 1/1968 Huston ..... D9/435  
D286,026 S \* 10/1986 Rayner ..... D9/435  
(Continued)

*Primary Examiner* — Jennifer Rivard

*Assistant Examiner* — Catherine S Posthauer

(74) *Attorney, Agent, or Firm* — Nixon Peabody LLP

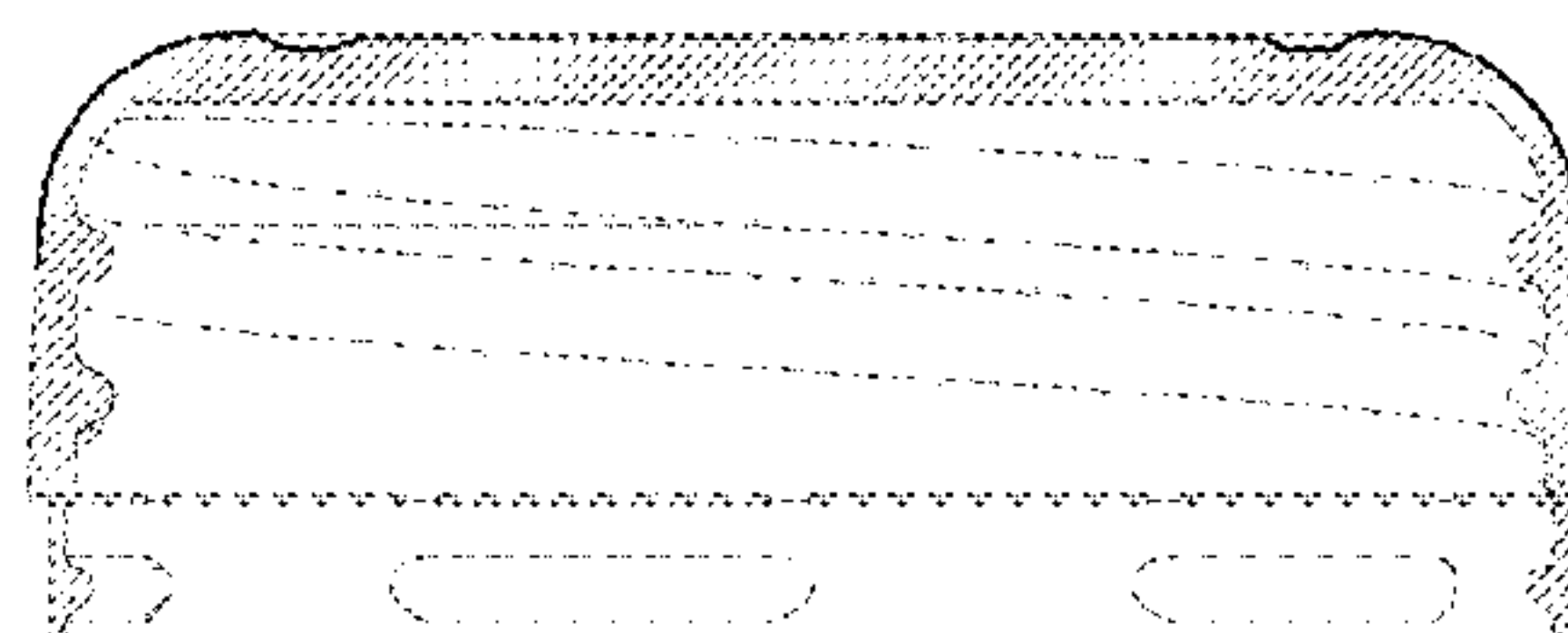
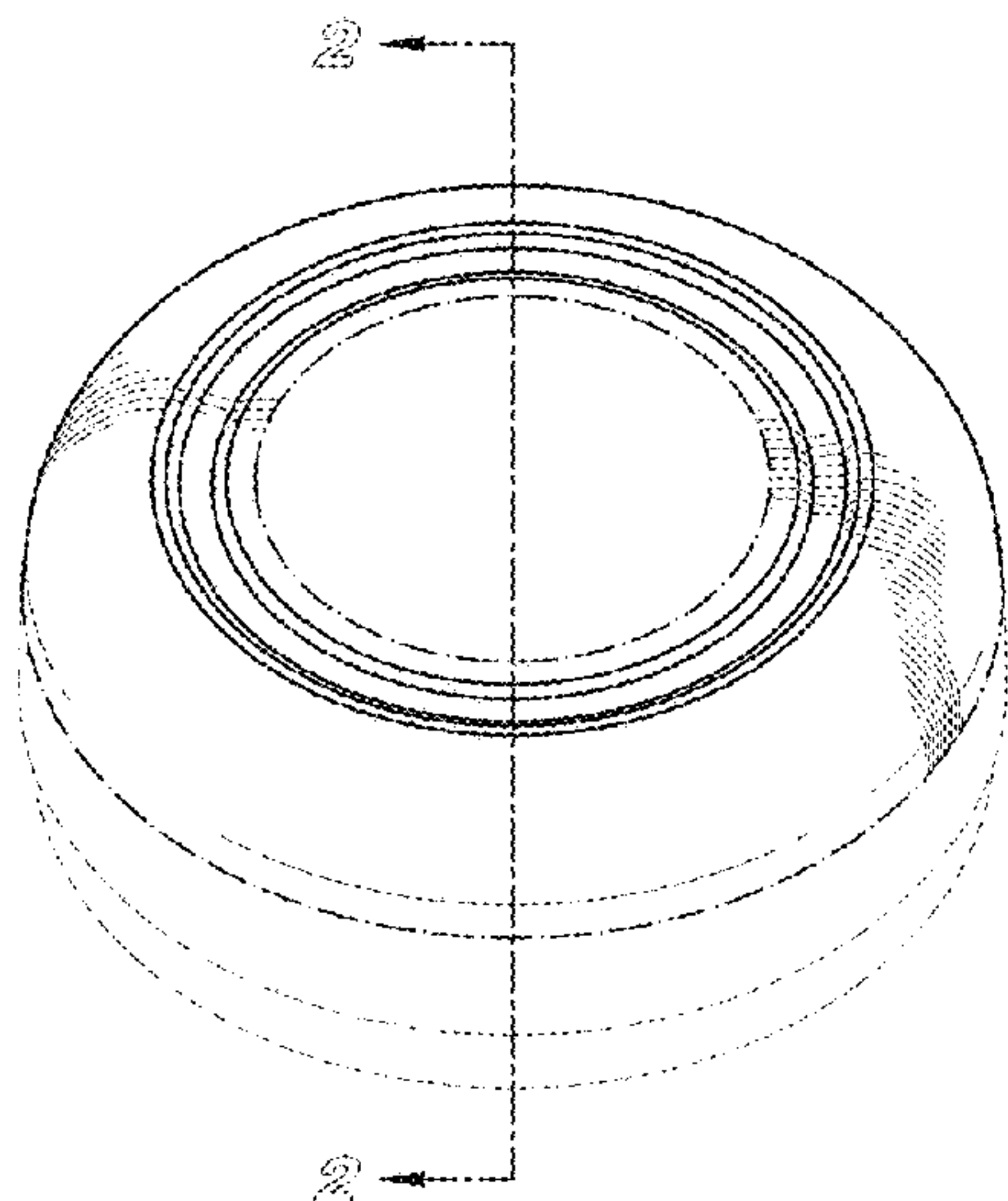
(57) **CLAIM**

The ornamental design for closure, as shown and described.

**DESCRIPTION**

FIG. 1 is a top-perspective view of a second embodiment of the closure for a plastic bottle;  
FIG. 2 is a side cross-sectional view of the closure, taken in the direction of line 2-2 on FIG. 1;  
FIG. 3 is a bottom-perspective view of the closure of FIG. 1;  
FIG. 4 is a top plan view of the closure of FIG. 1;  
FIG. 5 is a left side elevation view of the closure of FIG. 1;  
FIG. 6 is a right side elevation view of the closure of FIG. 1;  
FIG. 7 is a front elevation view of the closure of FIG. 1;  
FIG. 8 is a back elevation view of the closure of FIG. 1; and,  
FIG. 9 is a bottom plan view of the closure of FIG. 1.  
The evenly broken lines are shown for the purpose of illustrating parts of the article that form no part of the claim. The dash-dot-dash lines represent the boundaries of the claim as well as the designation of a cross sectional view and form no part thereof.

**1 Claim, 4 Drawing Sheets**



(58) **Field of Classification Search**

CPC .. B65D 15/08; B65D 65/22; B65D 2577/205;  
 B65D 79/00; B65D 81/00; B65D 82/00;  
 B65D 85/00; B65D 2585/00; A47J  
 36/027; A47F 3/14; A47G 19/2272; A47G  
 19/02; A61J 1/1412; A45D 40/22  
 See application file for complete search history.

(56) **References Cited**

U.S. PATENT DOCUMENTS

D419,370 S \* 1/2000 Busick ..... D7/392  
 D419,371 S \* 1/2000 Haley ..... D7/392.1  
 D454,384 S \* 3/2002 Lord ..... D23/229  
 D466,015 S \* 11/2002 Faucon ..... D9/435  
 D467,036 S \* 12/2002 Bakic ..... D28/82  
 6,561,375 B1 \* 5/2003 Nagy ..... A47G 19/02  
 206/460  
 D525,127 S \* 7/2006 Cogley ..... D9/456  
 D526,839 S \* 8/2006 Boozer ..... D7/392  
 D546,670 S \* 7/2007 Sainz ..... D9/420  
 D563,785 S \* 3/2008 Maki ..... D9/454  
 D567,584 S \* 4/2008 Boozer ..... D7/413  
 D581,792 S \* 12/2008 Krohn ..... D9/504

D633,644 S \* 3/2011 Sprengers ..... D26/89  
 D641,207 S \* 7/2011 Backaert ..... D7/391  
 D660,136 S \* 5/2012 Jarowenko ..... D8/374  
 D688,946 S \* 9/2013 Pirincci ..... D9/454  
 D694,463 S \* 11/2013 Sieczkowski ..... D26/124  
 D701,700 S \* 4/2014 Abdi ..... D3/318  
 D711,745 S \* 8/2014 Humm ..... D9/449  
 D717,651 S \* 11/2014 Marina ..... D9/454  
 D718,133 S \* 11/2014 Fraser ..... D9/436  
 D718,136 S \* 11/2014 Harrity ..... D9/499  
 D723,906 S \* 3/2015 Kato ..... D8/382  
 D727,148 S \* 4/2015 Humm ..... D9/449  
 D727,149 S \* 4/2015 Humm ..... D9/449  
 D727,731 S \* 4/2015 Humm ..... D9/449  
 D742,339 S \* 11/2015 Takagi ..... D13/182  
 D746,683 S \* 1/2016 Fahl ..... D9/454  
 D756,222 S \* 5/2016 Lopez ..... D23/260  
 D769,079 S \* 10/2016 Kotani ..... D7/608  
 9,649,254 B2 \* 5/2017 Frishman ..... A61J 1/1412  
 D792,220 S \* 7/2017 Simons ..... D7/396.2  
 D799,963 S \* 10/2017 Akiyama ..... D9/454  
 2011/0006060 A1 \* 1/2011 Lin ..... B65D 43/26  
 220/201  
 2015/0157535 A1 \* 6/2015 Frishman ..... A61J 1/1412  
 604/403

\* cited by examiner

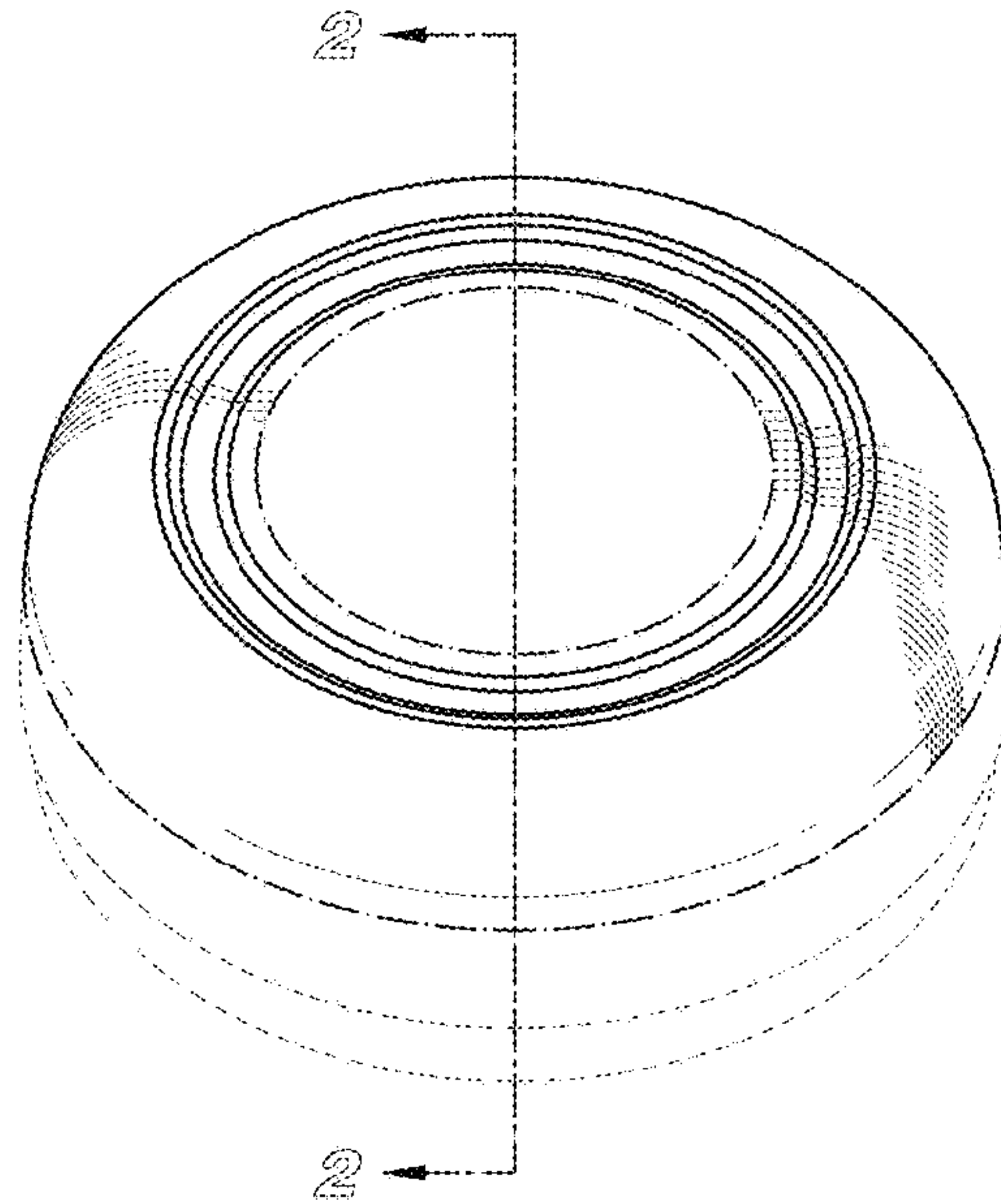


FIG. 1

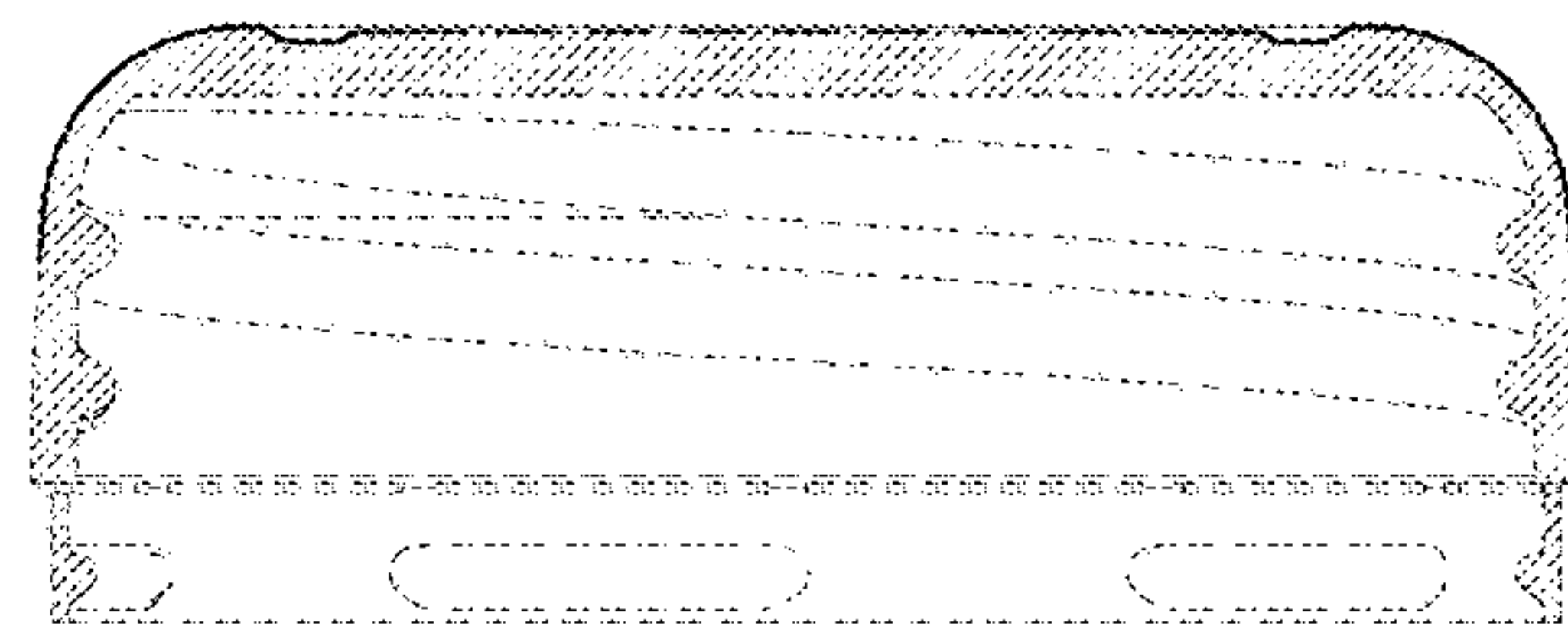


FIG. 2

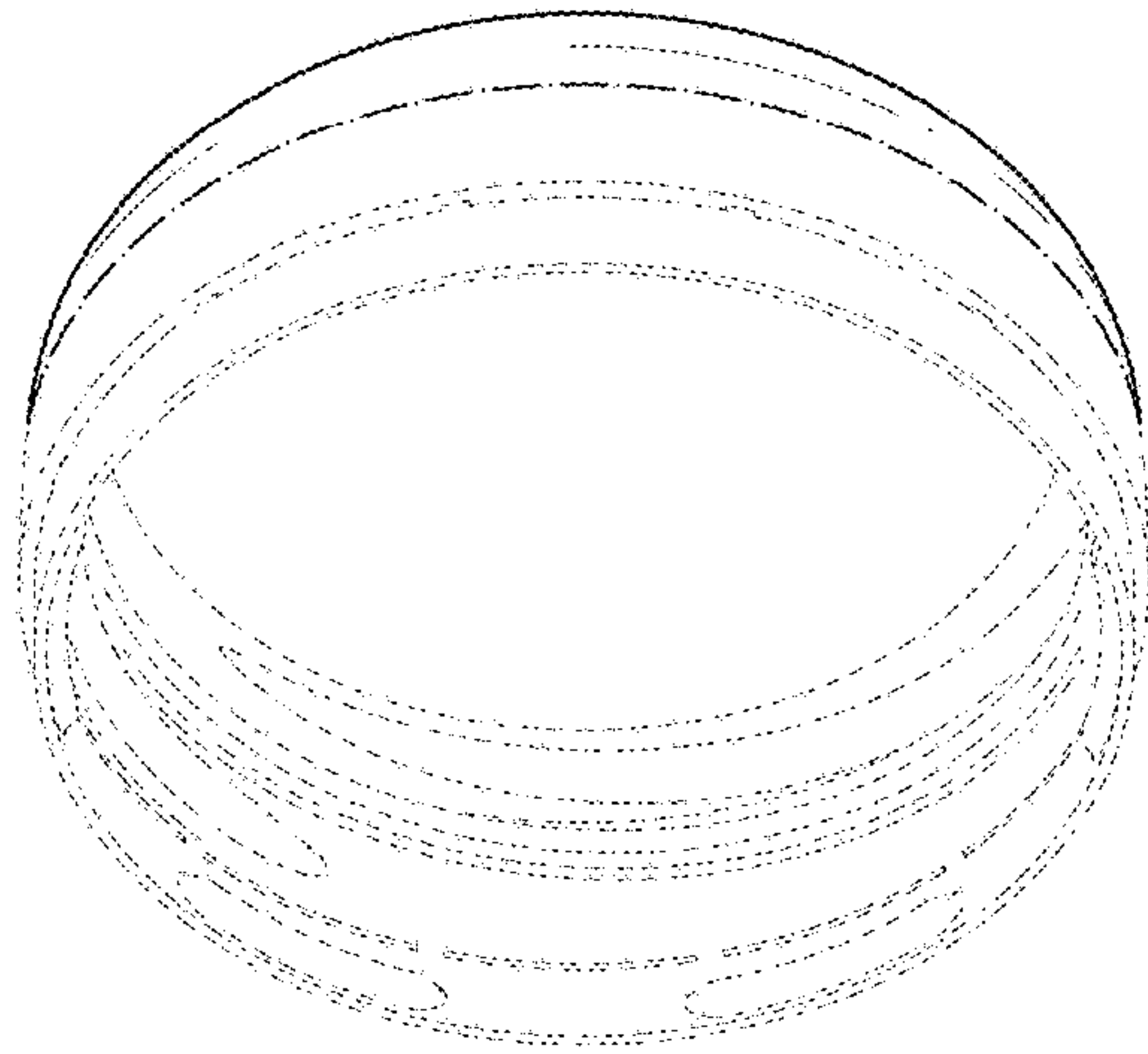


FIG. 3



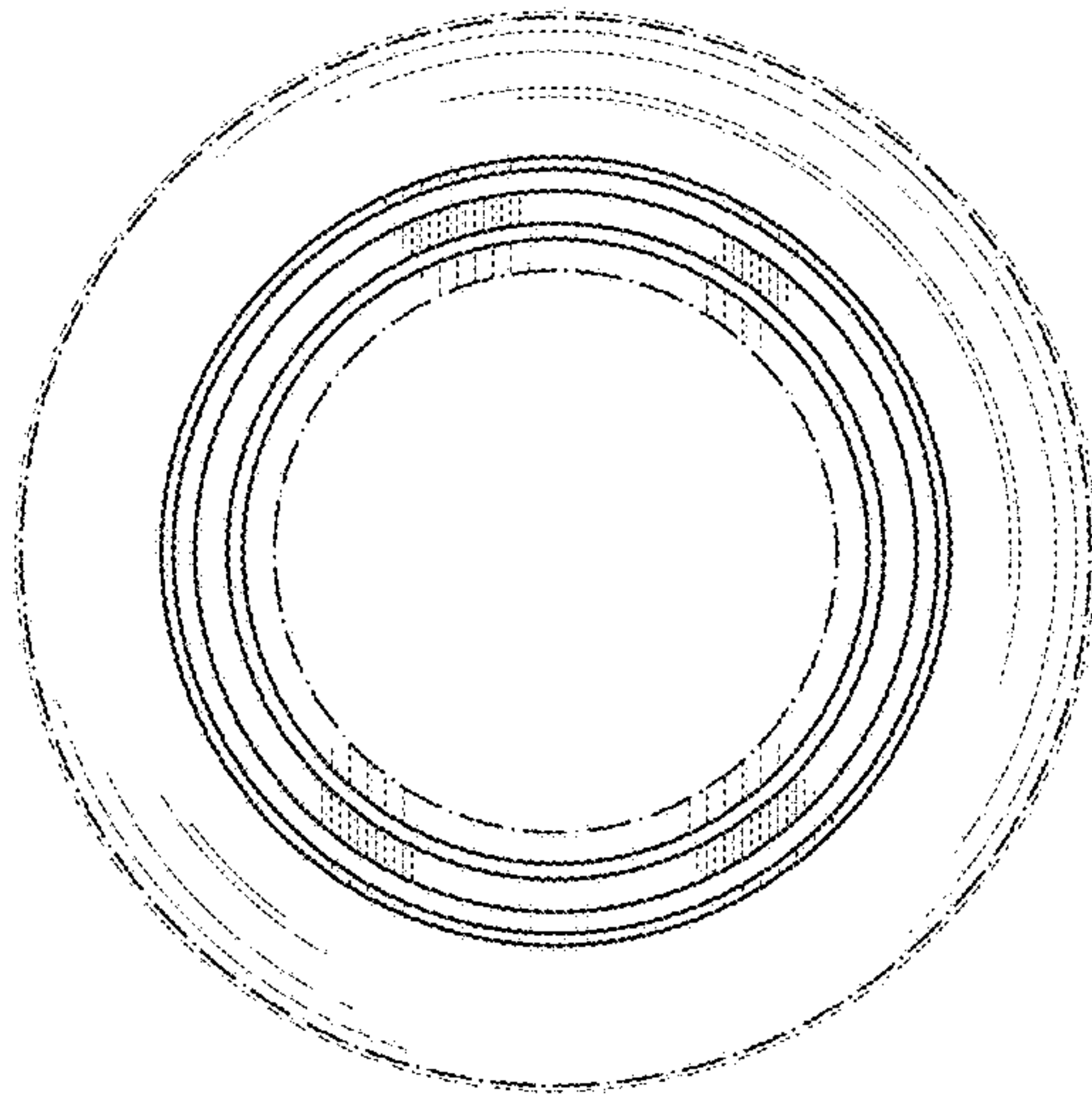


FIG. 4

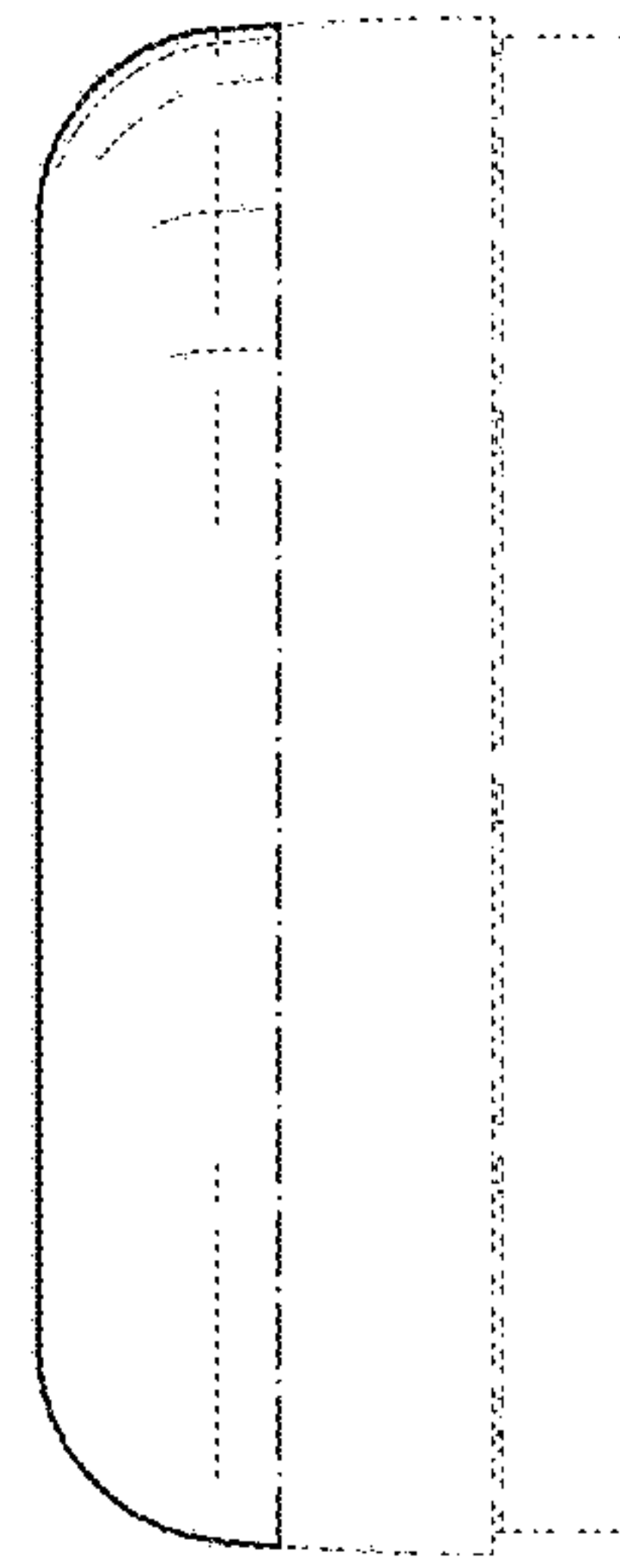


FIG. 6

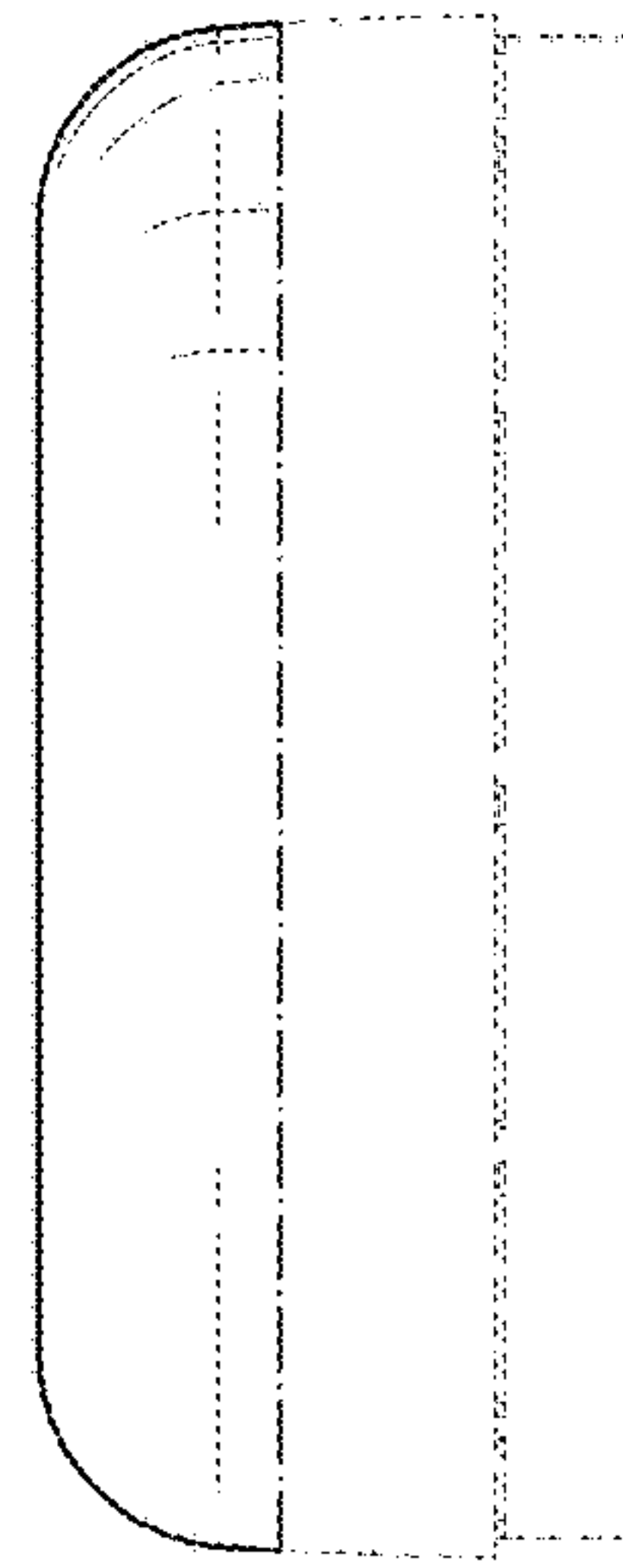


FIG. 5

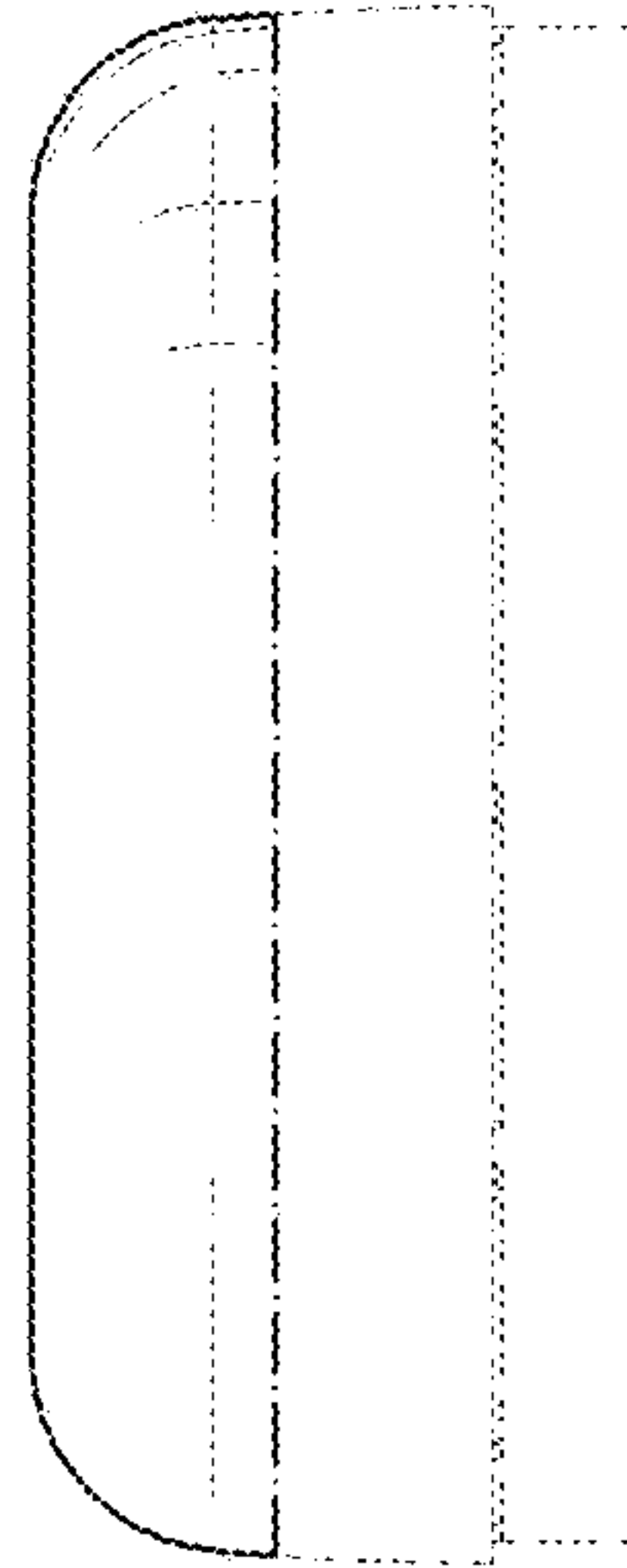


FIG. 7

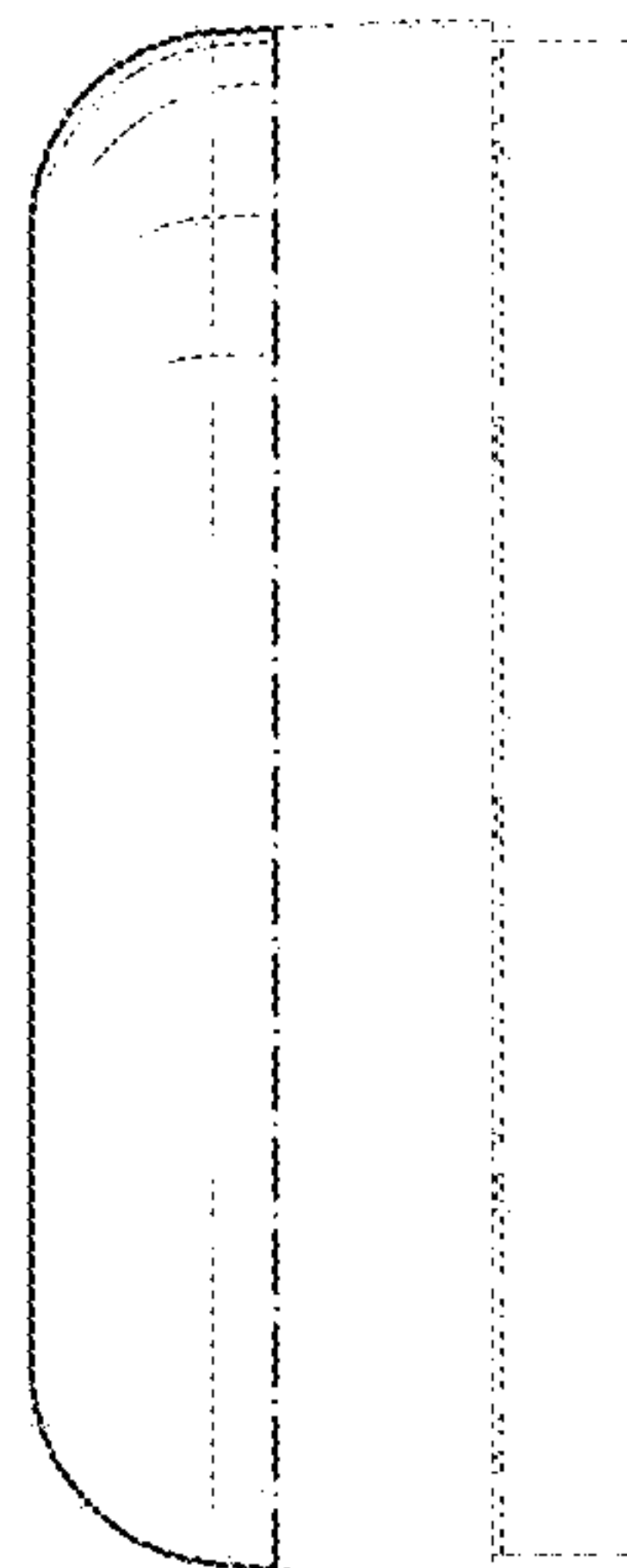


FIG. 8

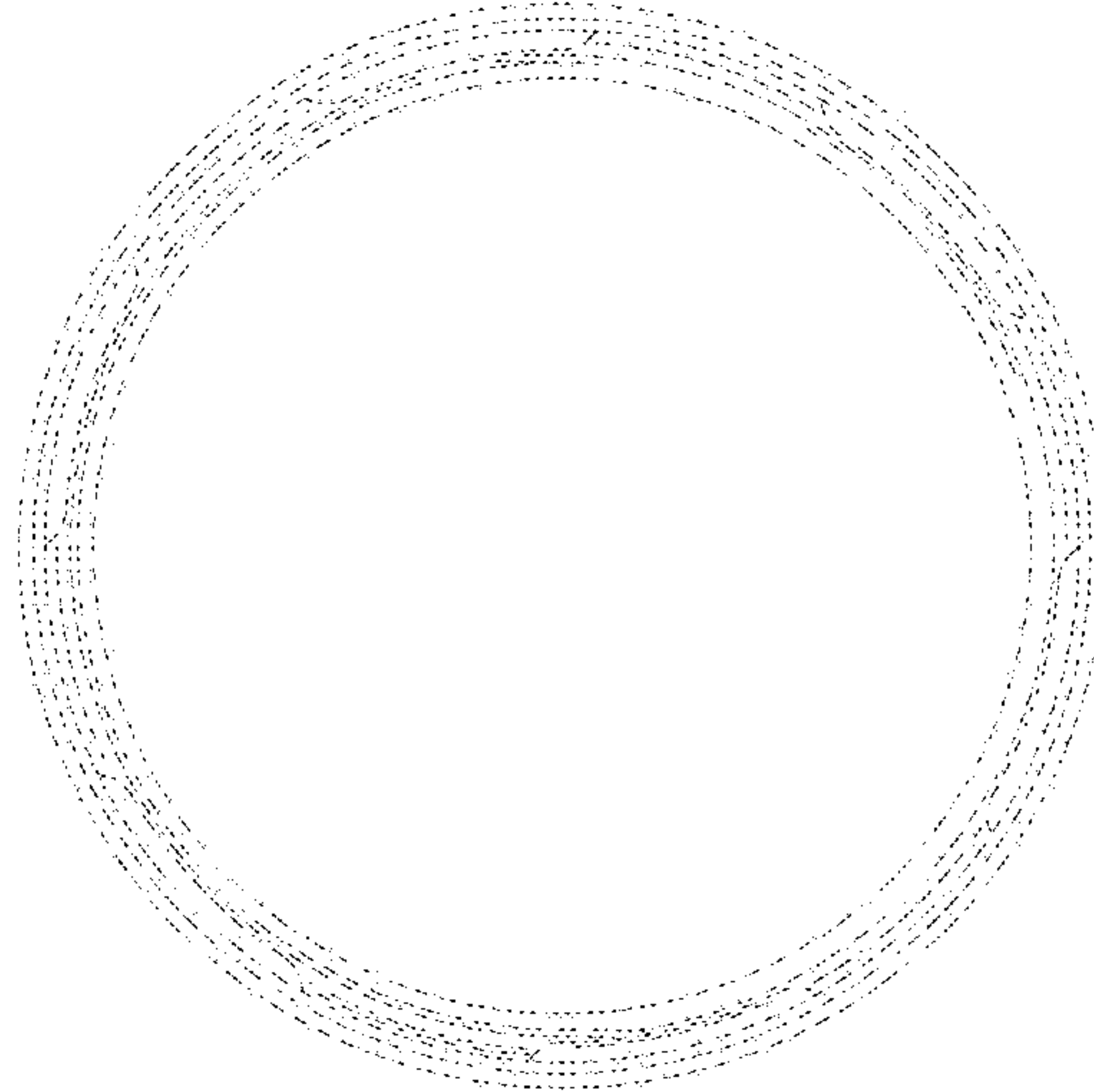


FIG. 9