



US00D838171S

(12) **United States Design Patent**
Wood et al.

(10) **Patent No.: US D838,171 S**
(45) **Date of Patent: ** *Jan. 15, 2019**

(54) **CAP**

(71) Applicant: **NOVEMBAL USA INC.**, Edison, NJ
(US)

(72) Inventors: **Christopher Wood**, Wauwatosa, WI
(US); **Michel Luzzato**, Ecully (FR)

(73) Assignee: **NOVEMBAL USA INC.**, Edison, NJ
(US)

(*) Notice: This patent is subject to a terminal disclaimer.

(**) Term: **15 Years**

(21) Appl. No.: **29/632,034**

(22) Filed: **Jan. 4, 2018**

(51) **LOC (11) Cl.** **09-07**

(52) **U.S. Cl.**

USPC **D9/453**

(58) **Field of Classification Search**

USPC D9/428, 429, 432, 434, 435, 436, 439,
D9/440, 443, 444, 445, 447, 449-455,
D9/499, 500, 503, 504, 705; D7/317,
D7/387, 391, 392, 392.1, 393, 396.1,
D7/396.2, 509-511, 538, 900; D3/202,
D3/203.2, 294, 302, 318; D28/91
CPC .. A61J 1/00; A61J 1/1412; B65D 1/00; B65D
1/02; B65D 1/10; B65D 1/46; B65D
2585/56; B65D 2585/545; B65D 41/00;
B65D 41/38; B65D 41/56; B65D 41/62;
B65D 47/00; B65D 47/06; B65D 47/08;
B65D 2543/00046; B65D 2543/00092;

(Continued)

(56) **References Cited**

U.S. PATENT DOCUMENTS

4,059,198 A * 11/1977 Mumford B65D 41/06
215/211

4,595,110 A 6/1986 Herr
D318,804 S * 8/1991 Ochs D9/453

(Continued)

FOREIGN PATENT DOCUMENTS

CA 2 831 909 A1 11/2012
CA 2 839 370 A1 12/2012

(Continued)

Primary Examiner — Michael A. Pratt

Assistant Examiner — Wendy L Arminio

(74) *Attorney, Agent, or Firm* — Finnegan, Henderson,
Farabow, Garrett & Dunner LLP

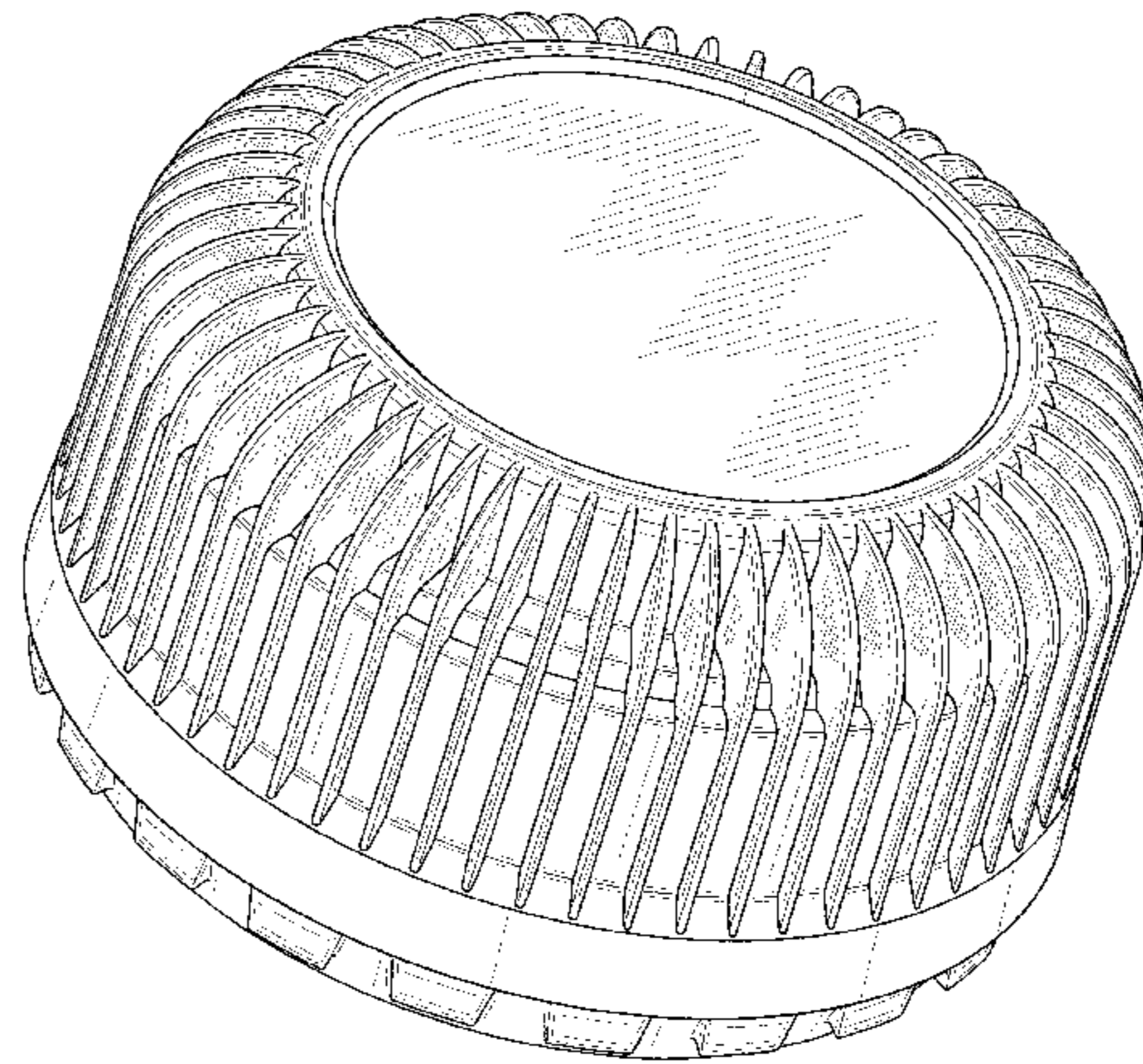
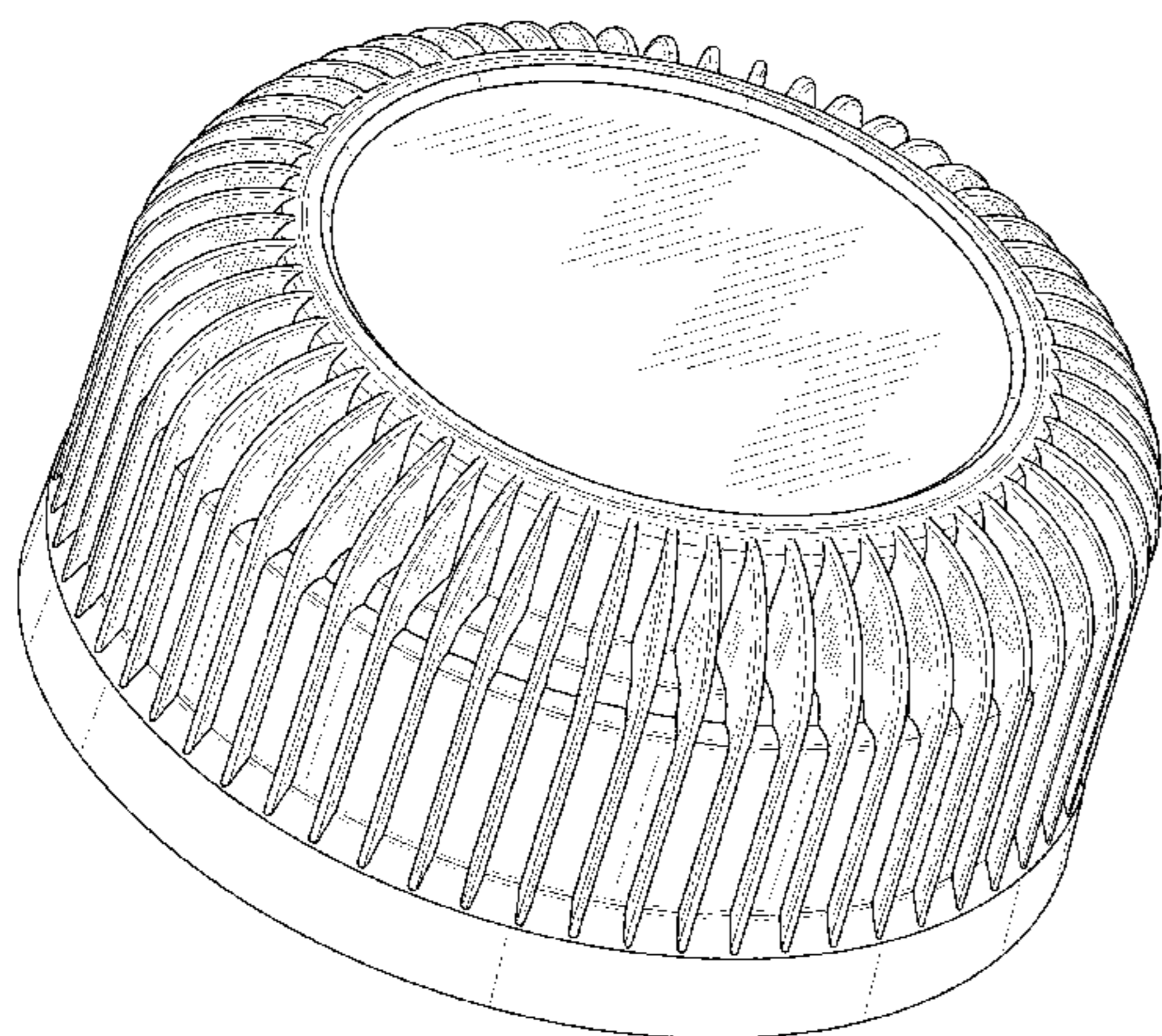
(57) **CLAIM**

The ornamental design for a cap, as shown and described.

DESCRIPTION

FIG. 1 is a top, front perspective view of a cap showing our new design in a first configuration during use;
FIG. 2 is a second top, front perspective view thereof;
FIG. 3 is a top plan view thereof;
FIG. 4 is a bottom, front perspective view thereof;
FIG. 5 is a bottom plan view thereof;
FIG. 6 is a front elevation view thereof, with the rear elevation, left side, and right side views being identical thereto;
FIG. 7 is a top perspective cross-sectional view taken in the direction of line 7-7 shown in FIG. 3;
FIG. 8 is a top, front perspective view of a cap showing our new design in a second configuration before use;
FIG. 9 is a second top, front perspective view thereof;
FIG. 10 is a top plan view thereof;
FIG. 11 is a bottom, front perspective view thereof;
FIG. 12 is a bottom plan view;
FIG. 13 is a front elevation view thereof, with the rear elevation, left side, and right side views being identical thereto; and,
FIG. 14 is a top perspective cross-sectional view taken in the direction of line 14-14 shown in FIG. 10.

1 Claim, 14 Drawing Sheets



(58) **Field of Classification Search**
 CPC B65D 2543/00296; B65D 5/46; B65D
 2251/00
 See application file for complete search history.

(56) **References Cited**

U.S. PATENT DOCUMENTS

D358,769 S * 5/1995 Luch D9/438
 D407,978 S 4/1999 Petro
 D458,138 S 6/2002 Fuchs
 6,405,886 B1 6/2002 Gearhart et al.
 D460,357 S * 7/2002 Kras D9/435
 D465,731 S 11/2002 Brant et al.
 D481,314 S * 10/2003 Noonan D9/438
 D513,181 S * 12/2005 Bloom D9/453
 6,981,602 B2 1/2006 Ma et al.
 D516,911 S * 3/2006 Bloom D9/453
 D518,717 S 4/2006 German
 D518,718 S * 4/2006 von Spreckelsen D9/453
 D518,719 S * 4/2006 von Spreckelsen D9/453
 D527,631 S * 9/2006 Mallet D9/449
 D534,802 S * 1/2007 German D9/453
 D584,149 S 1/2009 Lohrman et al.
 D592,954 S * 5/2009 Capretta D9/453
 D606,864 S 12/2009 Robinson
 D619,003 S * 7/2010 Benoit-Gonin D9/453
 D632,958 S * 2/2011 Fuchs D9/453
 D633,386 S * 3/2011 Taber D9/453
 D634,199 S * 3/2011 Taber D9/453
 D634,200 S 3/2011 Taber
 D671,834 S 12/2012 Chasteen et al.
 D673,852 S * 1/2013 Wood D9/453
 D687,299 S 8/2013 Peykoff et al.
 D693,221 S 11/2013 Ramsey et al.
 D693,683 S 11/2013 Ramsey et al.
 D693,685 S 11/2013 Ramsey et al.
 8,672,158 B2 3/2014 Taber et al.
 D723,919 S 3/2015 Taber et al.

D762,115 S 7/2016 Corvaglia et al.
 D786,966 S 5/2017 Matsushita et al.
 D789,201 S 6/2017 Yu
 D790,966 S 7/2017 Roberts et al.
 D792,219 S 7/2017 Bueno Nunez
 D824,257 S * 7/2018 Wood D9/453
 2009/0014404 A1 1/2009 Russell
 2010/0200532 A1 * 8/2010 Ekkert B65D 41/00
 215/201
 2011/0290754 A1 12/2011 Taber et al.
 2011/0290755 A1 12/2011 Taber et al.
 2012/0031871 A1 * 2/2012 Molinaro B65D 1/023
 215/44
 2013/0313218 A1 11/2013 Cox et al.
 2014/0158660 A1 * 6/2014 Wood B65D 41/0421
 215/252
 2015/0122769 A1 5/2015 Taber et al.
 2016/0332783 A1 11/2016 Kim

FOREIGN PATENT DOCUMENTS

EM 003750033-0001 2/2017
 EM 003750033-0002 2/2017
 EM 003750033-0003 2/2017
 EM 003750033-0004 2/2017
 EM 003750033-0005 2/2017
 EM 003750033-0006 2/2017
 EM 003750033-0007 2/2017
 EM 003750033-0008 2/2017
 EM 003750033-0009 2/2017
 EM 003995596-0001 5/2017
 EM 004089217-0002 7/2017
 FR 2 863 589 A1 6/2005
 FR 2 911 584 A1 7/2008
 JP 3318752 B2 8/2002
 WO WO 2007/147206 A1 12/2007
 WO WO 2011/098739 A1 8/2011
 WO WO 2012/102599 A2 8/2012
 WO WO 2012/102599 A3 8/2012

* cited by examiner

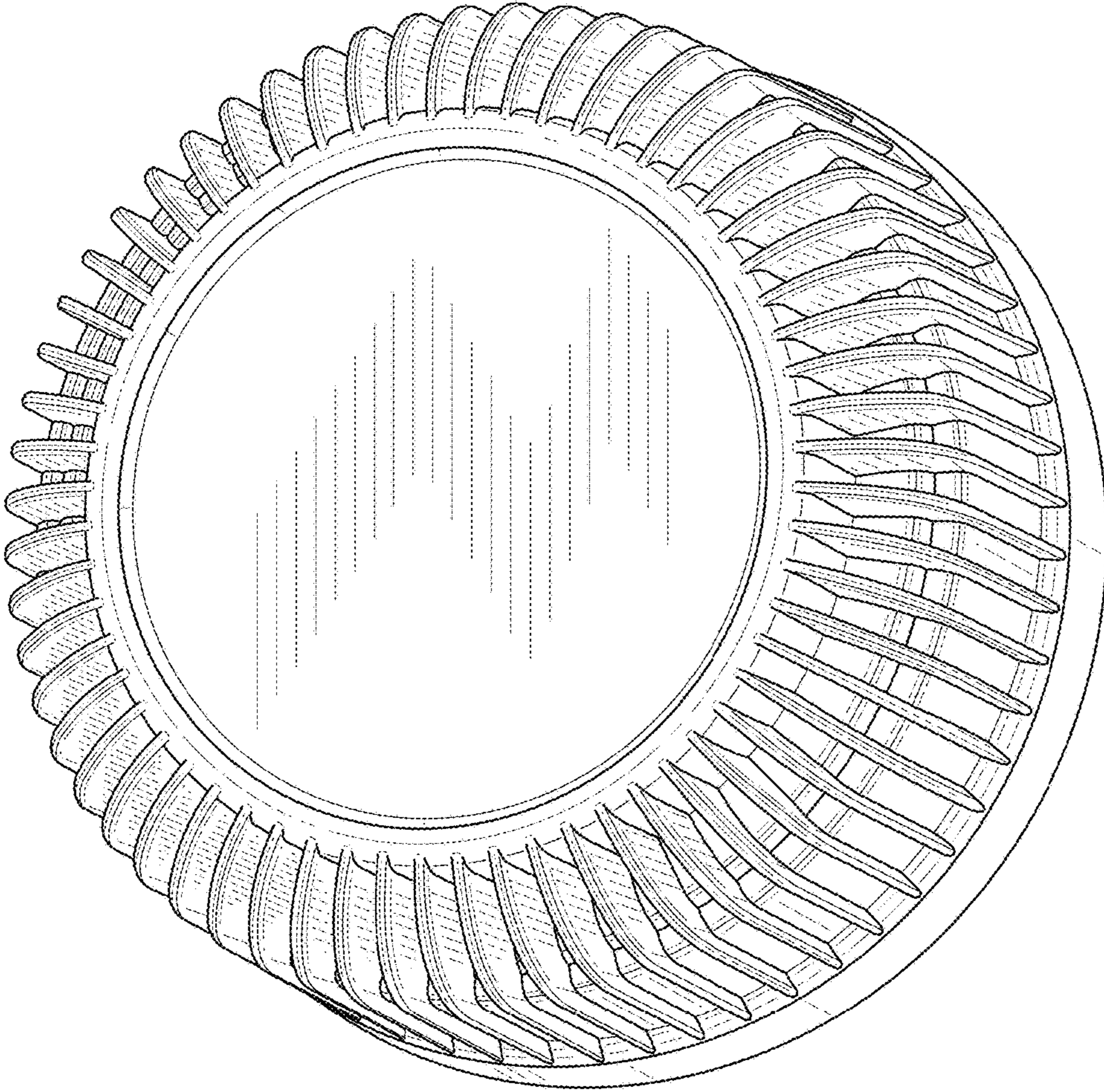


FIG. 1

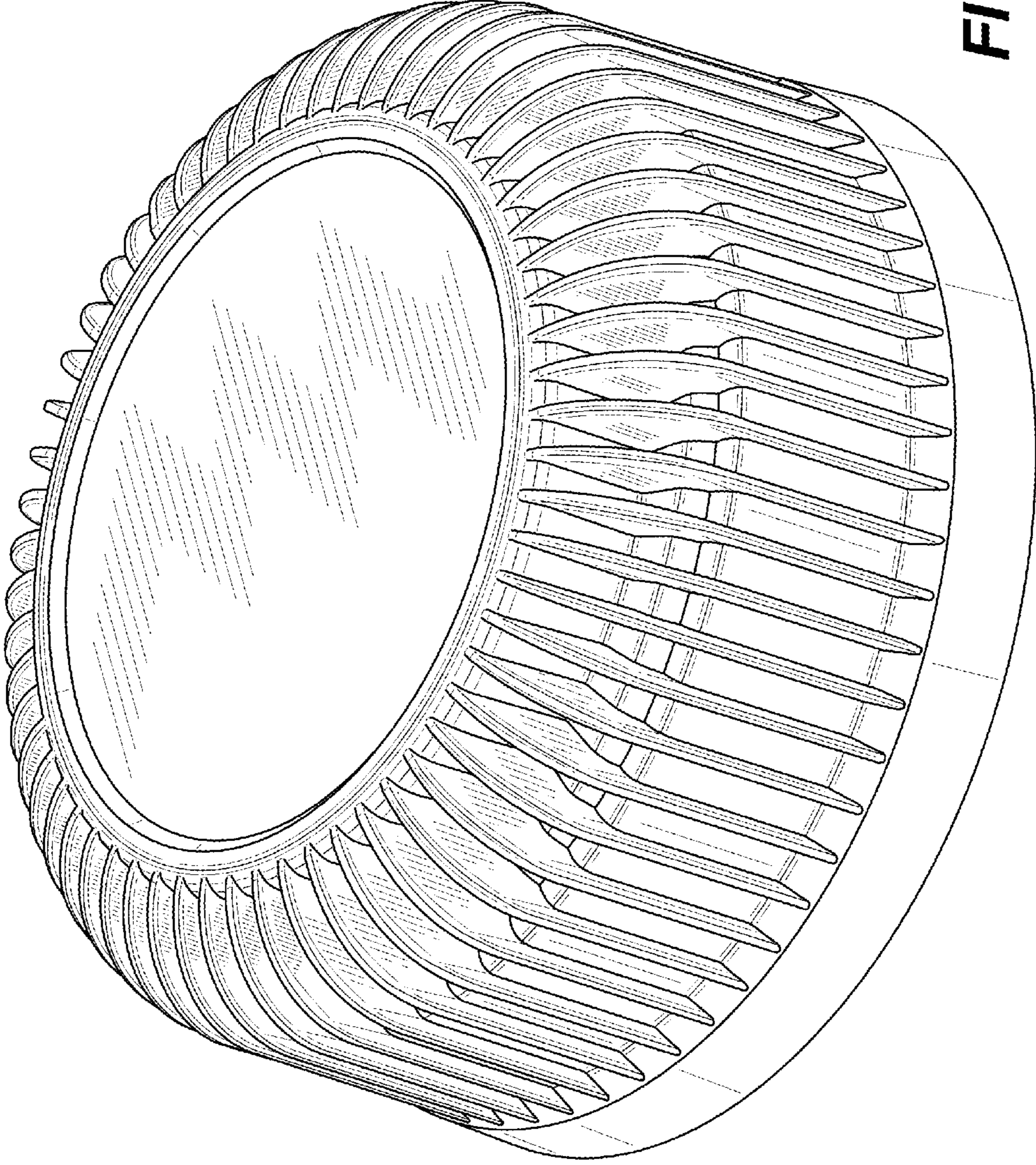


FIG. 2

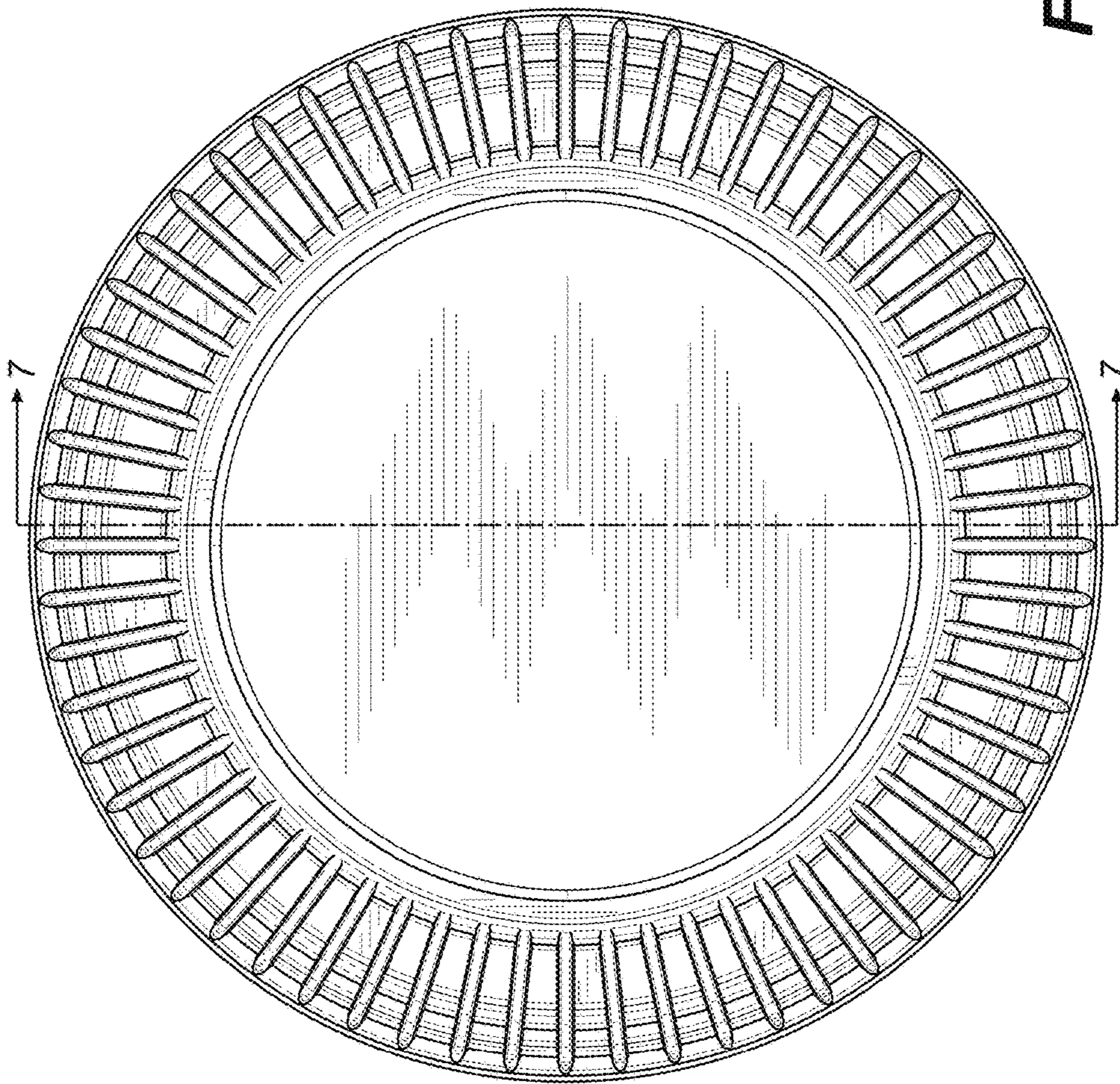


FIG. 3

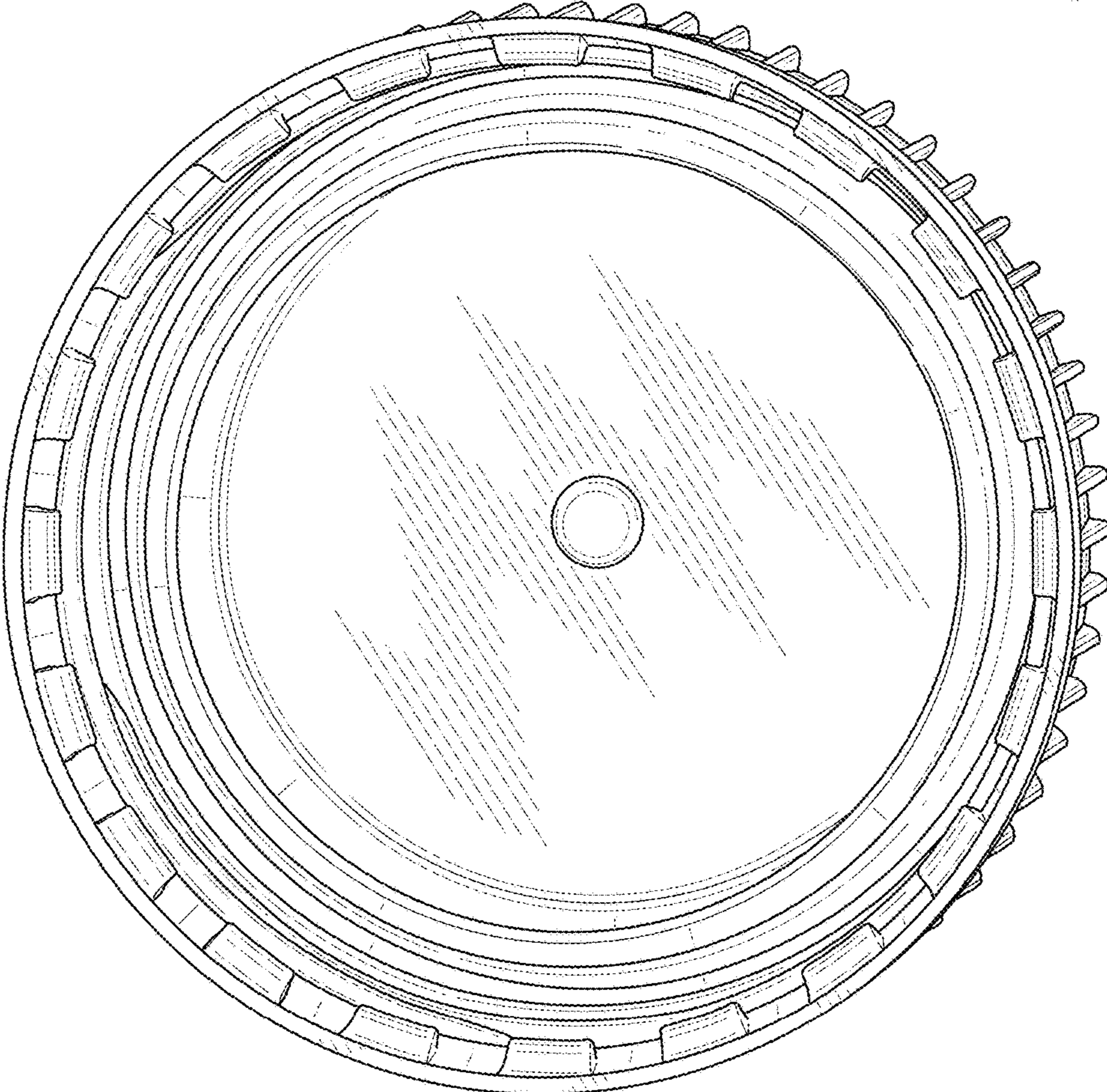


FIG. 4

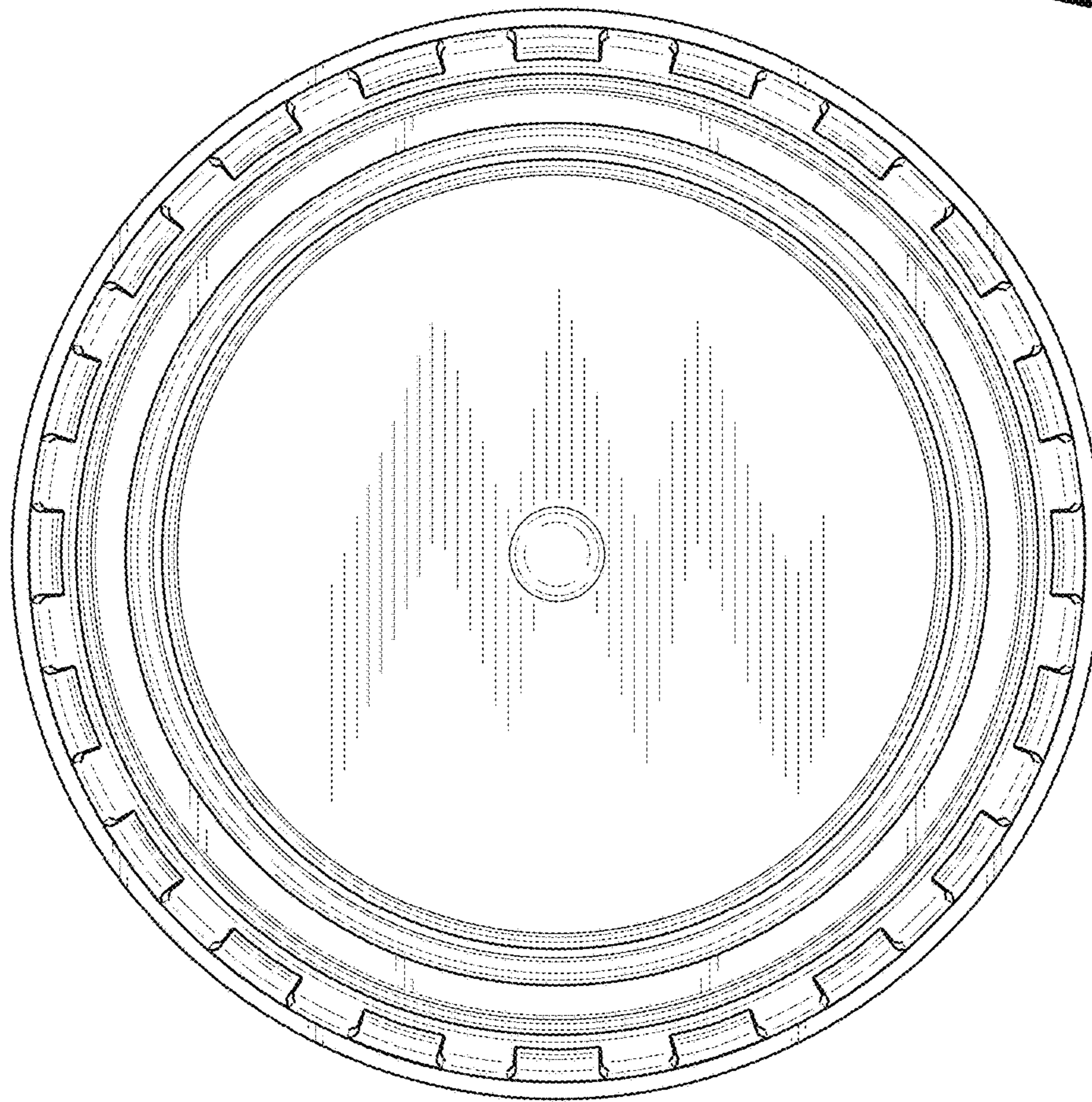


FIG. 5

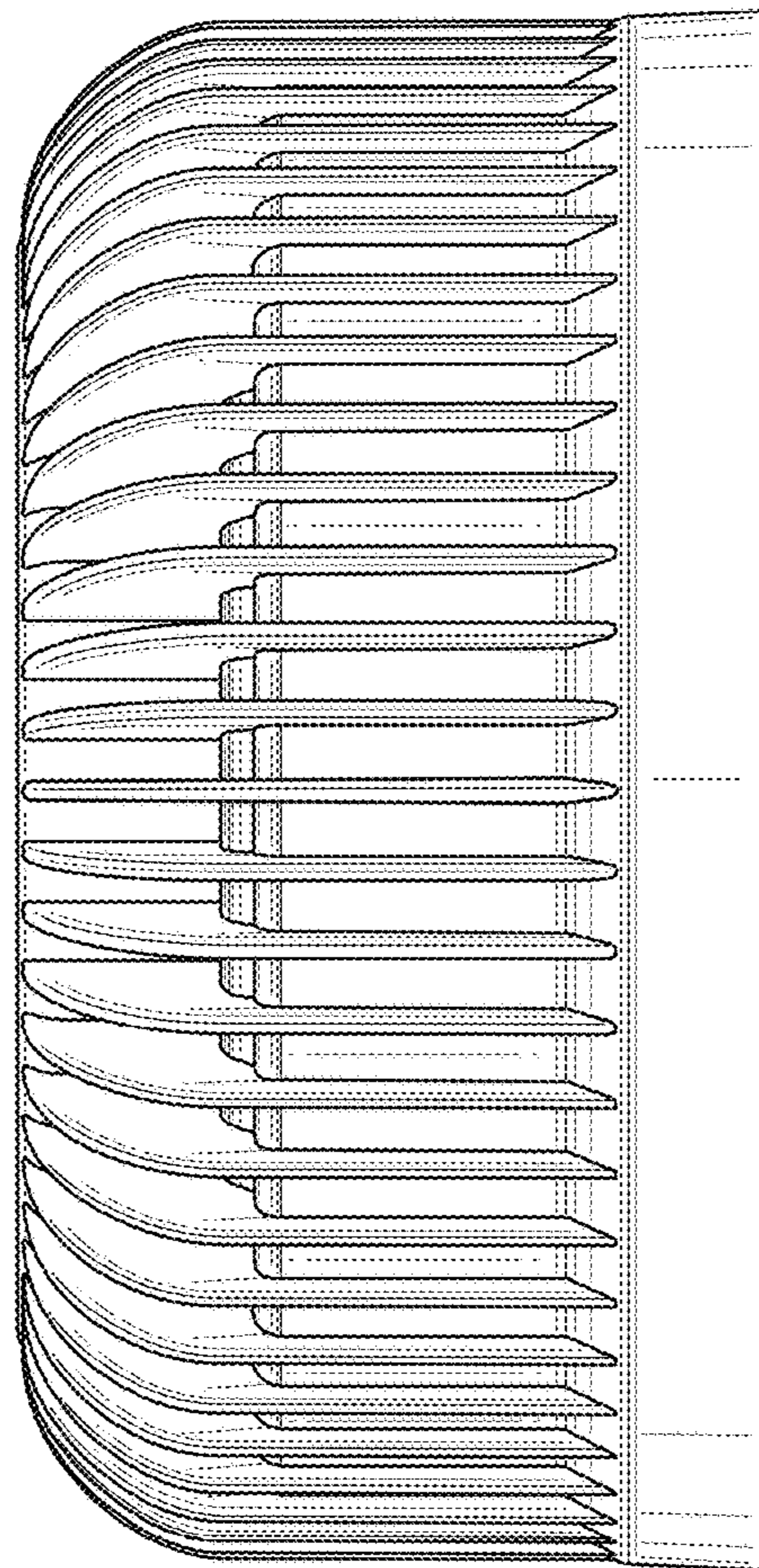


FIG. 6

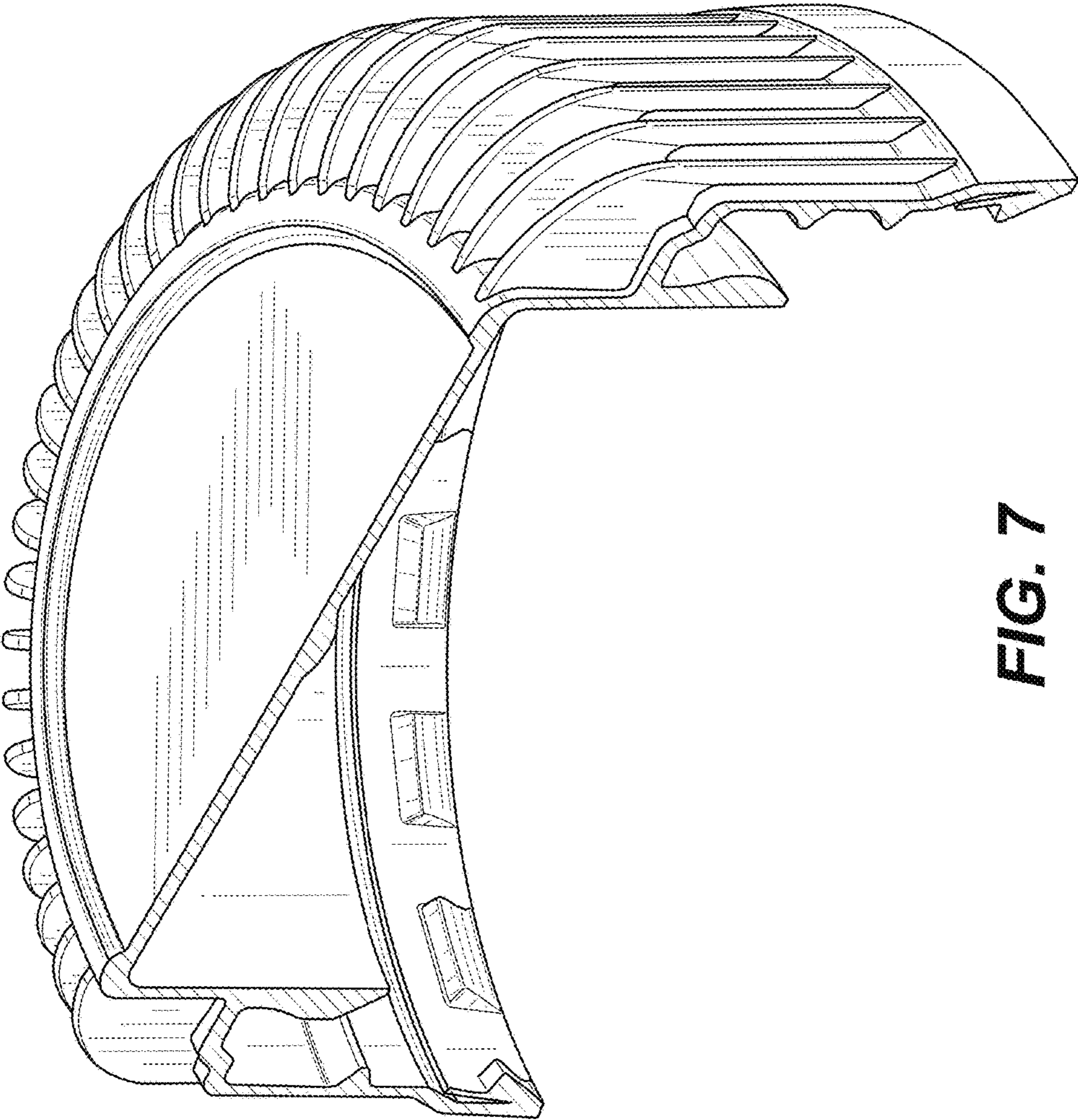


FIG. 7

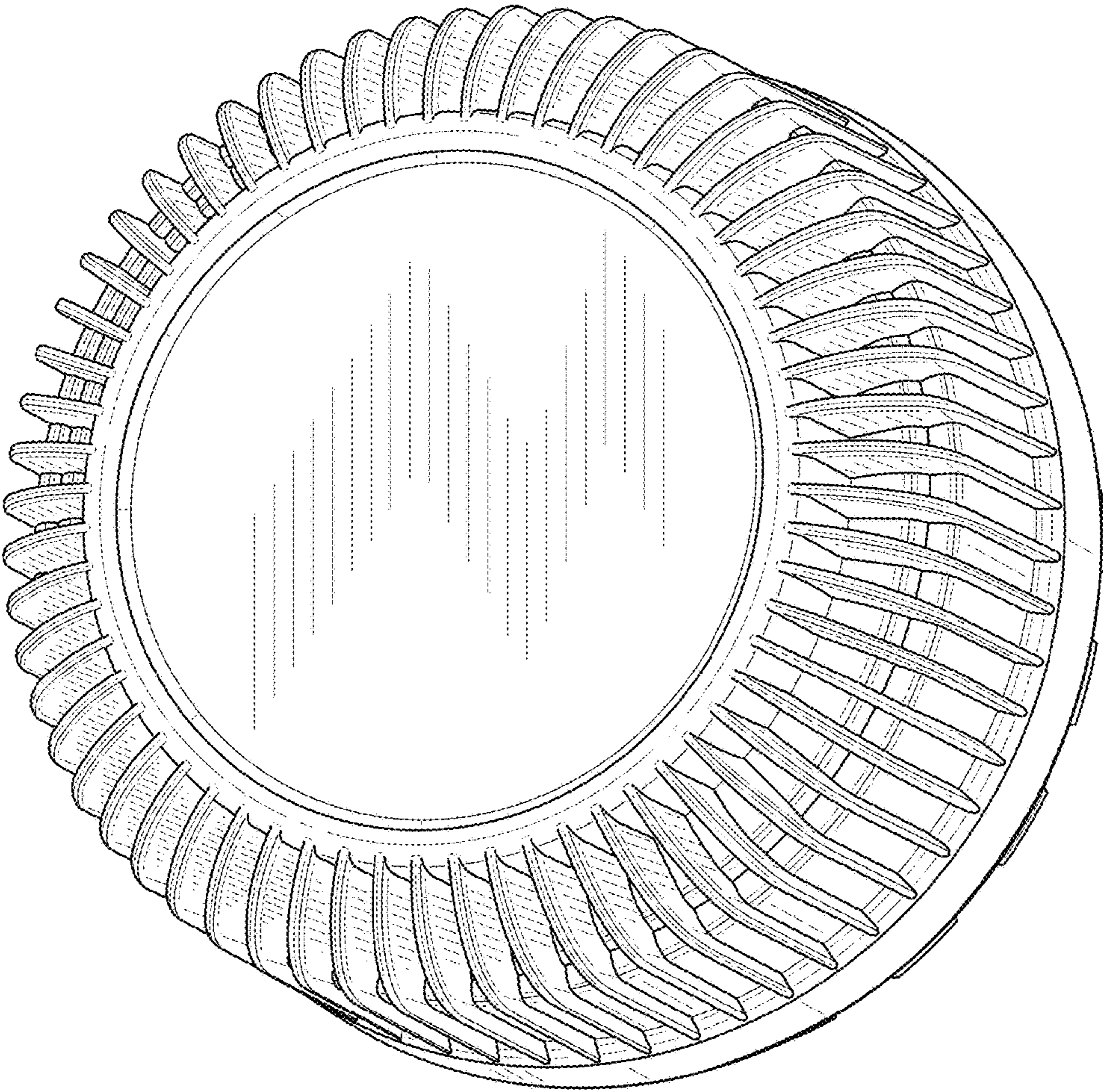


FIG. 8

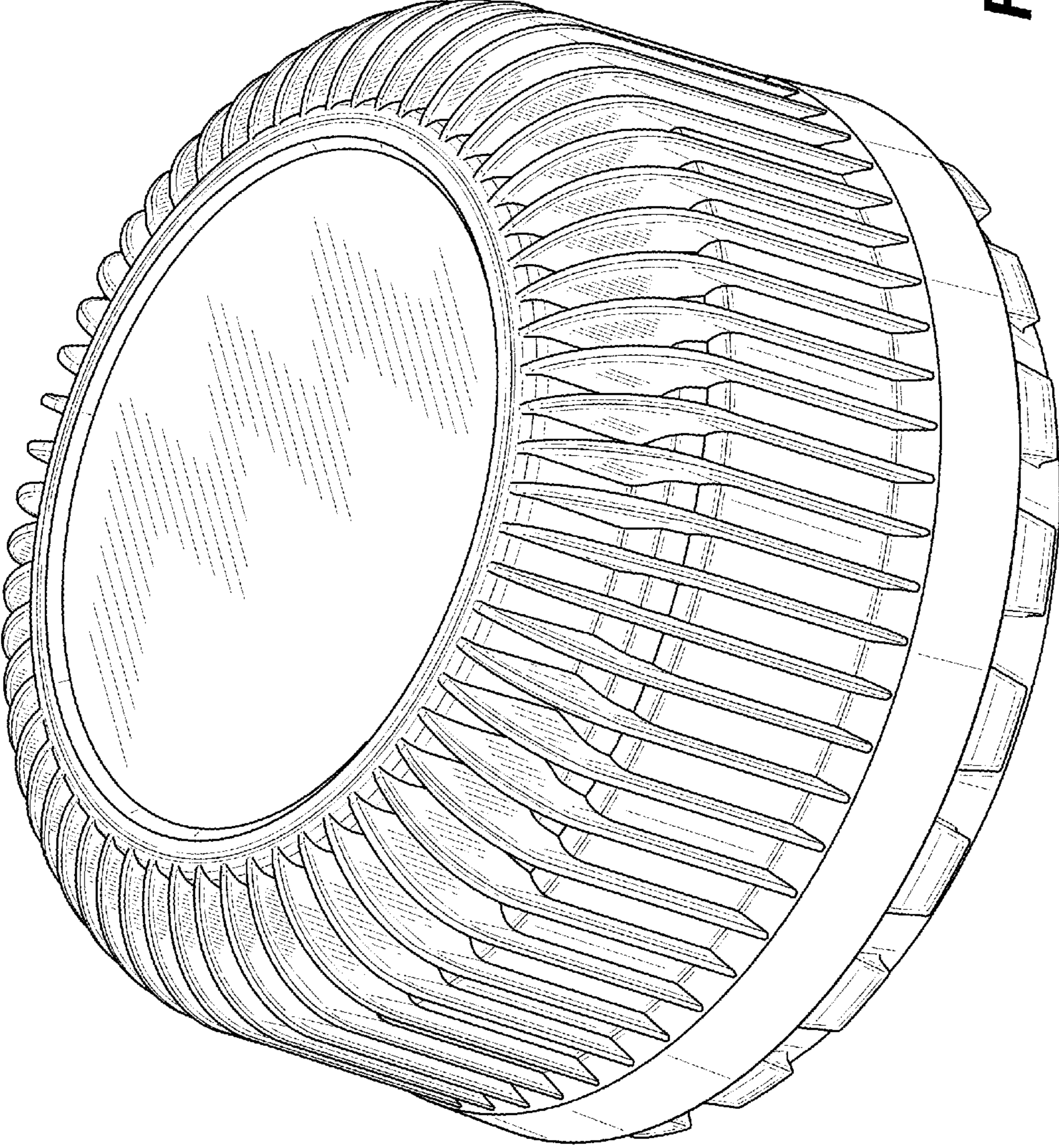


FIG. 9

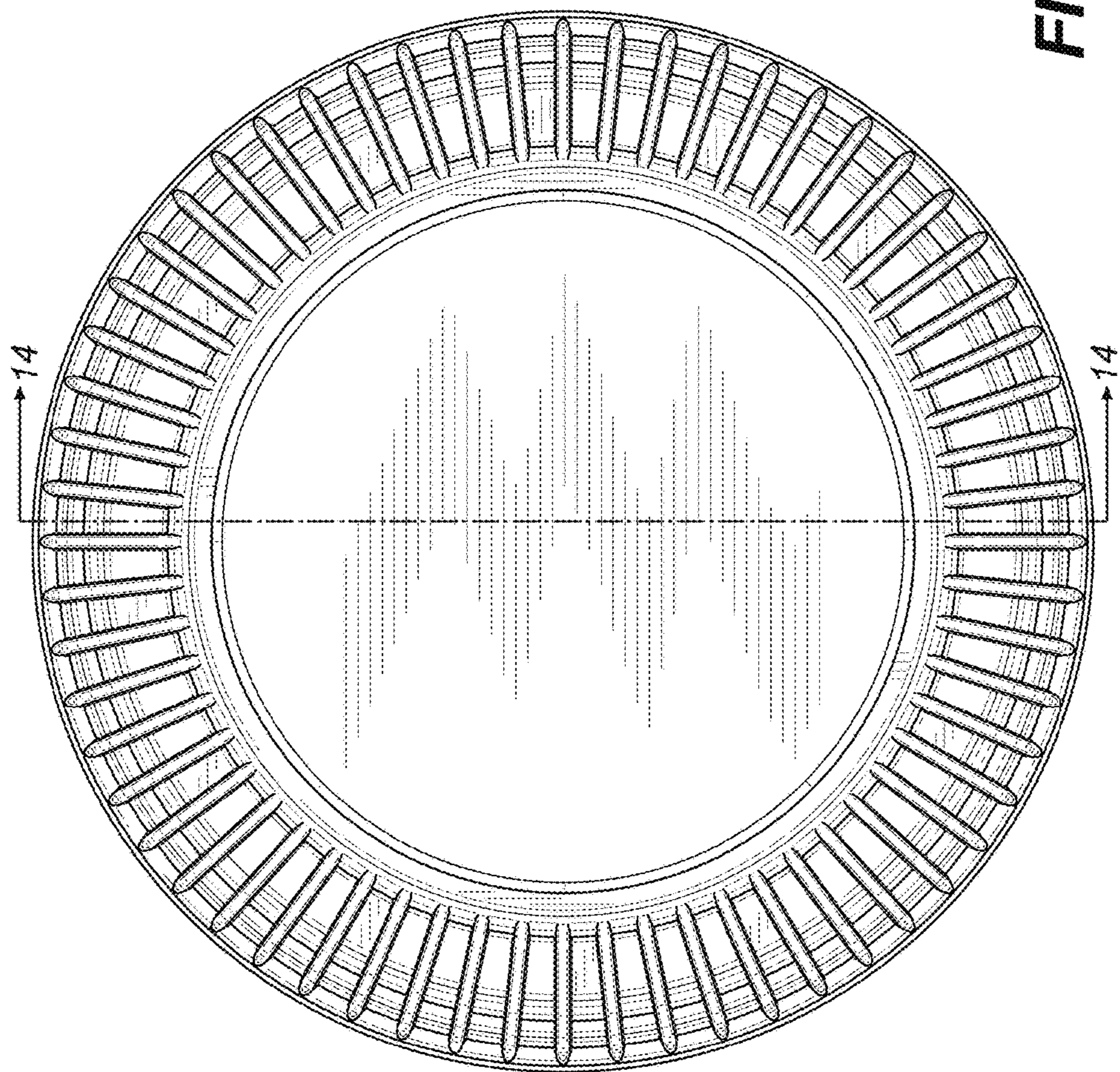


FIG. 10

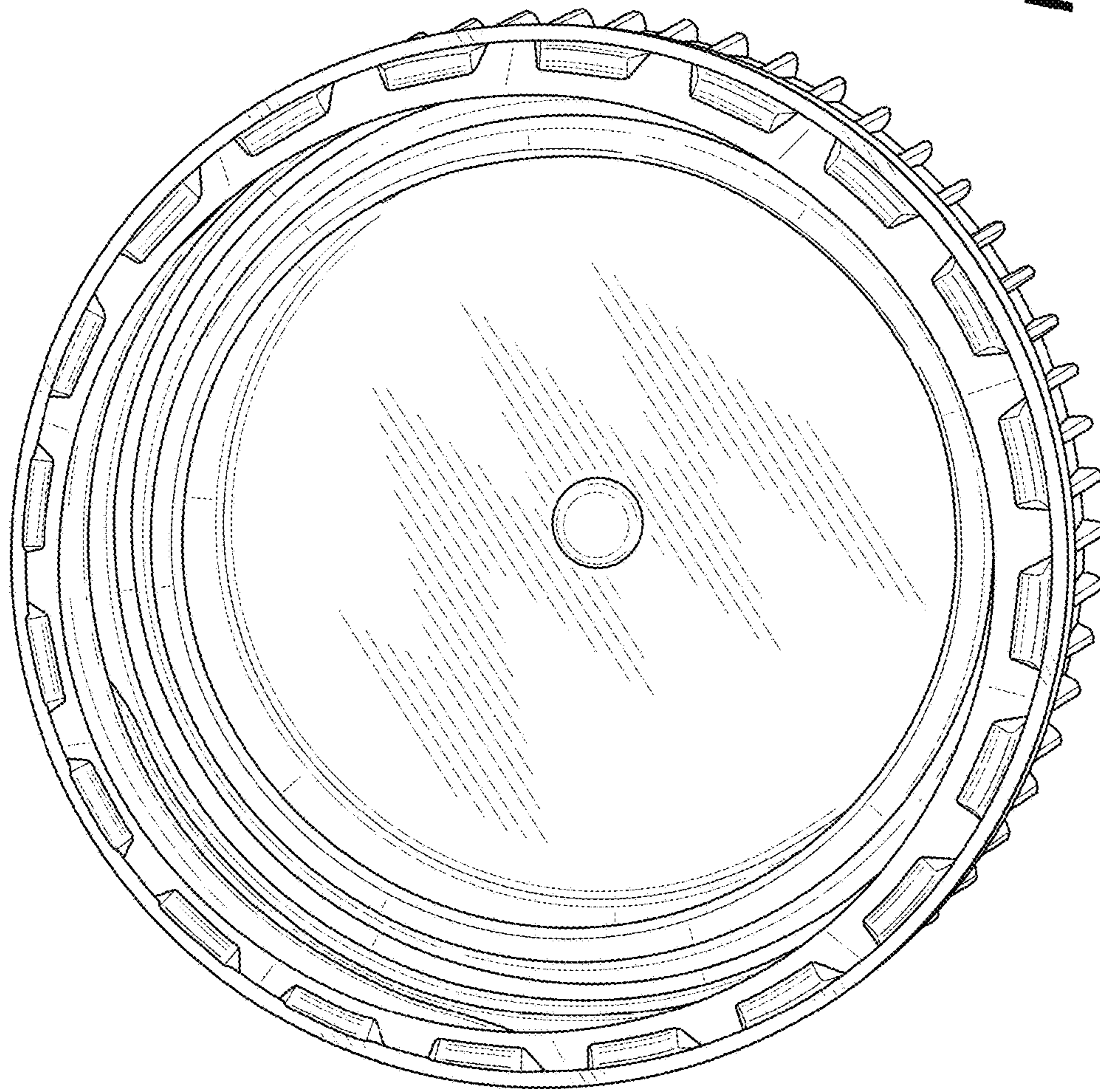


FIG. 11

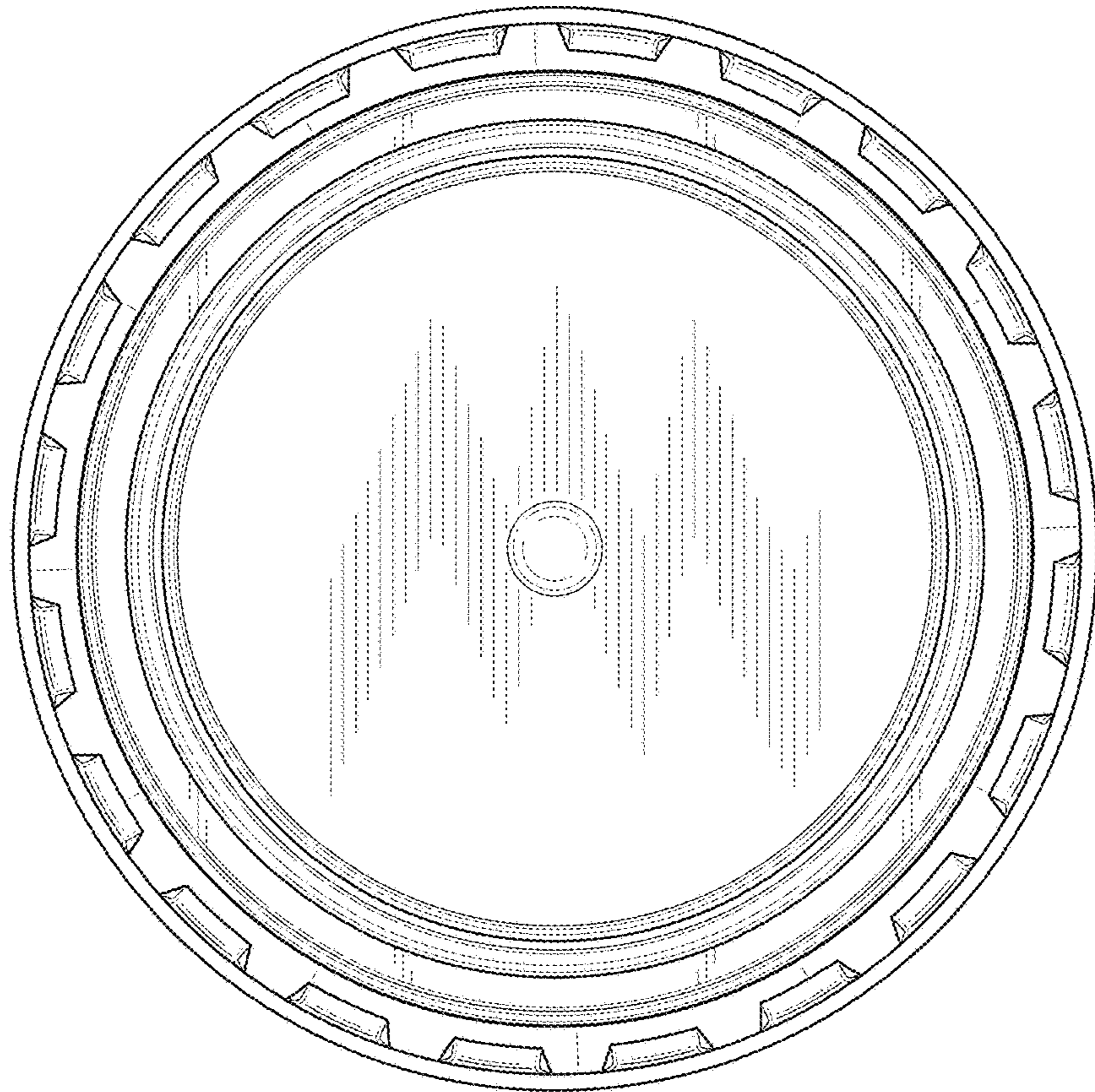


FIG. 12

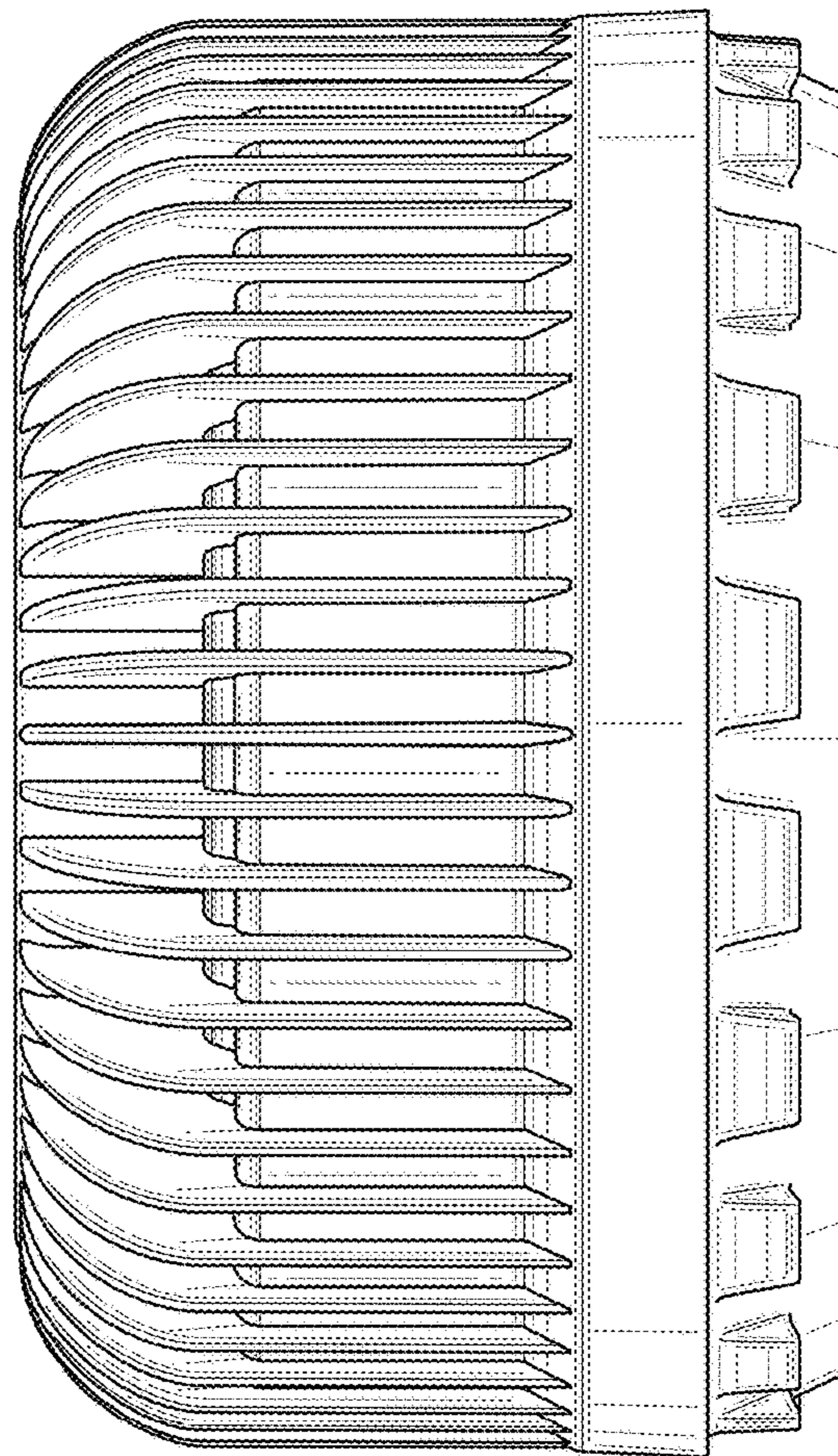


FIG. 13

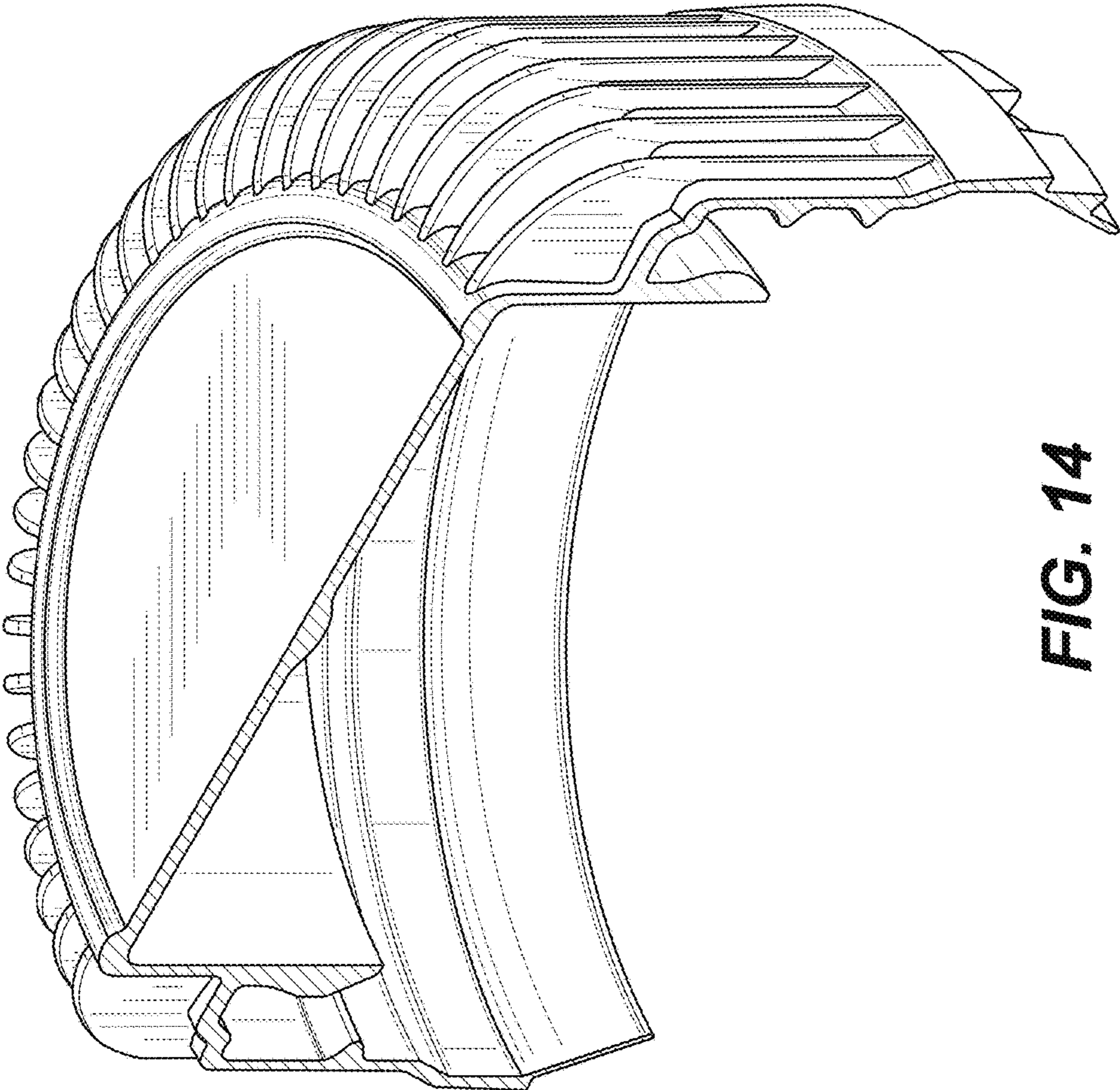


FIG. 14