



US00D838170S

(12) **United States Design Patent** (10) **Patent No.:** **US D838,170 S**
Jack (45) **Date of Patent:** **** Jan. 15, 2019**

(54) **CAP ASSEMBLY**

FOREIGN PATENT DOCUMENTS

(71) Applicant: **Turtle Wax, Inc.**, Willowbrook, IL
(US)

CN 1635843 A 7/2005
CN 101918290 A 12/2010
(Continued)

(72) Inventor: **Robert C. Jack**, Schaumburg, IL (US)

OTHER PUBLICATIONS

(73) Assignee: **TURTLE WAX, INC.**, Addison, IL
(US)

International Search Report and Written Opinion for International
Application No. PCT/US2016/061169, dated Jan. 17, 2017. (17
pages).

(**) Term: **15 Years**

(Continued)

(21) Appl. No.: **29/555,924**

Primary Examiner — Karen S Acker
Assistant Examiner — Wendy L Arminio

(22) Filed: **Feb. 25, 2016**

(74) *Attorney, Agent, or Firm* — Neal, Gerber &
Eisenberg LLP; Thomas E. Williams

(51) **LOC (11) Cl.** **09-07**

(52) **U.S. Cl.**
USPC **D9/448**

(57) **CLAIM**

The ornamental design for a cap assembly, as shown and
described.

(58) **Field of Classification Search**

DESCRIPTION

USPC D9/428, 429, 434, 435, 442, 443,
D9/445–450, 453–456, 499, 682, 684,
D9/685, 726; D7/387, 388, 392, 392.1,
D7/393, 396.2, 396.3, 396.4, 401.1, 408,
D7/504, 507, 509–511, 538, 900;
D3/202, 203.2, 318; D28/91.1
CPC .. A61J 1/00; A61J 1/1412; B65D 1/00; B65D
1/02; B65D 1/10; B65D 1/46; B65D
2585/56; B65D 2585/545; B65D 41/00;
B65D 41/38; B65D 41/56; B65D 41/62;
B65D 47/00; B65D 47/06; B65D 47/08;
B65D 2543/00046; B65D 2543/00092;

FIG. 1 is a front perspective of a cap assembly in accordance
with the present disclosure;
FIG. 2 is a front view of a cap assembly in accordance with
the present disclosure;
FIG. 3 is a back view of a cap assembly in accordance with
the present disclosure;
FIG. 4 is a side view of a cap assembly in accordance with
the present disclosure;
FIG. 5 is a top view of a cap assembly in accordance with
the present disclosure; and,
FIG. 6 is a bottom view of a cap assembly in accordance
with the present disclosure.

(Continued)

The broken line periphery surrounding the bottom edge of
the cap assembly defines the bounds of the claim and forms
no part thereof. All areas adjacent to shaded surfaces and the
broken line features forming boundaries to the claim sur-
rounding those areas depict environmental subject matter
that forms no part of the claim.

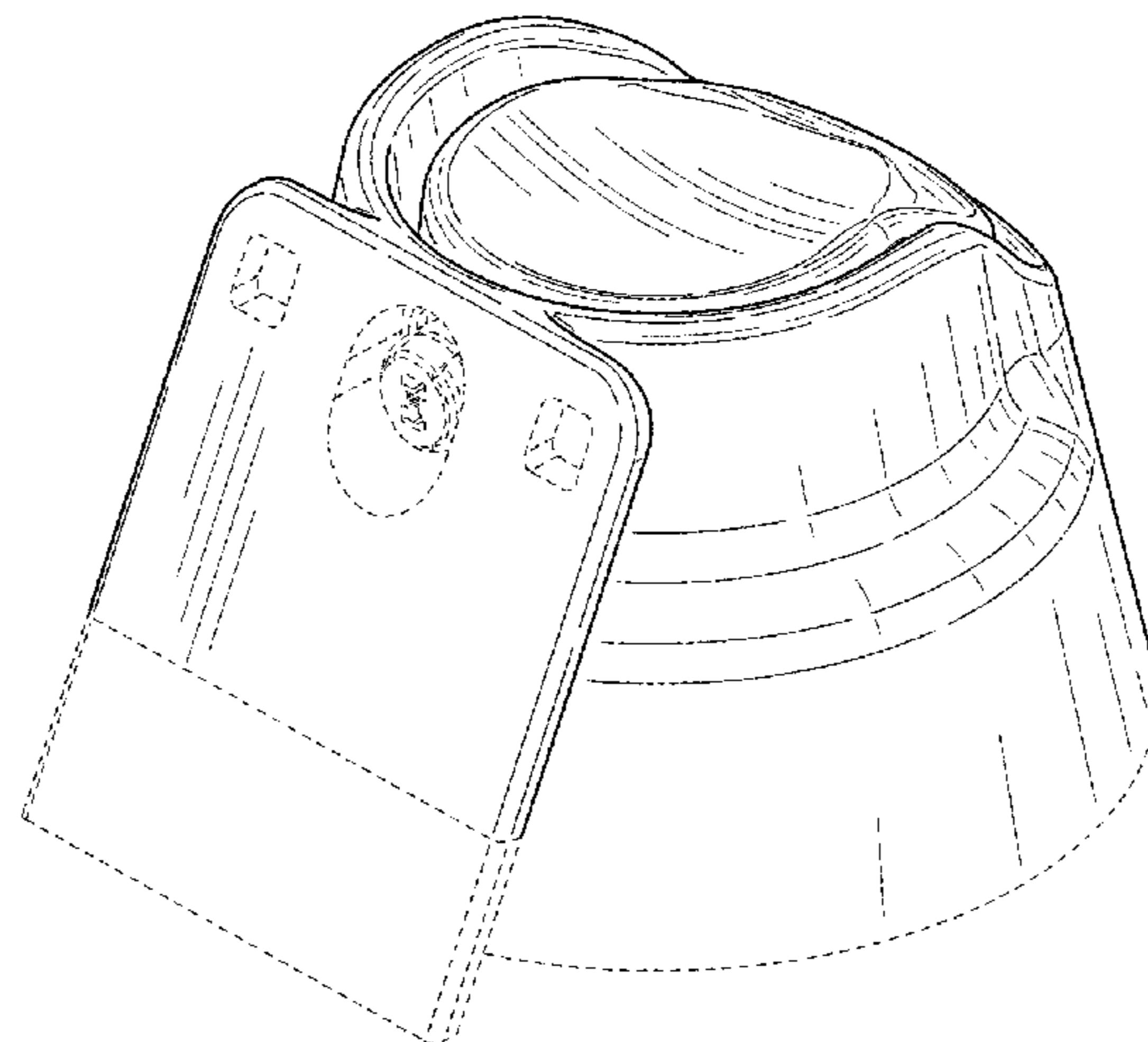
(56) **References Cited**

1 Claim, 4 Drawing Sheets

U.S. PATENT DOCUMENTS

2,281,367 A * 4/1942 Moll A46B 11/0013
401/207

2,764,773 A 10/1956 Glanvill et al.
(Continued)



(58) **Field of Classification Search**

CPC B65D 2543/00296; B65D 5/46; B65D
2251/00

See application file for complete search history.

(56) **References Cited**

U.S. PATENT DOCUMENTS

2,820,234 A * 1/1958 Rigney A47L 17/00
15/244.1
2,932,840 A * 4/1960 Lathrop A46B 9/06
15/114
D196,707 S 10/1963 Anderson
3,137,885 A 6/1964 Sheldon
3,148,401 A * 9/1964 Gilchrist A47L 23/05
401/156
D199,959 S * 1/1965 Hulsh D4/114
3,184,781 A 5/1965 Hoxie
D208,224 S 8/1967 Cromwell
3,979,163 A 9/1976 Beard
3,981,597 A 9/1976 Cohn et al.
4,201,491 A * 5/1980 Kohler A47L 23/05
222/490
D260,236 S * 8/1981 Anderson D9/448
D272,235 S 1/1984 Orlando
4,533,273 A 8/1985 Obata et al.
4,557,619 A 12/1985 Devinentis
D288,502 S 3/1987 Barkley
D289,109 S 4/1987 Buecheler
D296,763 S * 7/1988 Holmstadt 401/288
D317,832 S * 7/1991 Demarest D4/114
D322,391 S * 12/1991 Morane D9/448
D333,730 S 3/1993 Martin
5,299,877 A * 4/1994 Birden A47L 23/05
401/196
D369,976 S 5/1996 Koptis
D376,697 S * 12/1996 Green 401/207
D385,789 S 11/1997 Koptis
D386,853 S 11/1997 Koptis
D386,854 S 11/1997 Koptis
D386,855 S 11/1997 Koptis
D388,545 S * 12/1997 Antonopoulos-McIvor
D28/57
5,772,077 A 6/1998 Tafur
D398,235 S 9/1998 Koptis
D416,388 S 11/1999 Koptis
D418,303 S 1/2000 Koptis
6,050,271 A * 4/2000 Spencer A45D 19/02
132/112
6,092,952 A * 7/2000 Eberle B05B 11/0005
239/329
D433,235 S 11/2000 Koptis
6,371,675 B1 * 4/2002 Hoang A45D 34/04
401/135
6,425,701 B1 7/2002 Jacobs
D466,305 S 12/2002 Seo
6,637,440 B2 10/2003 de Laforcade
D527,489 S * 8/2006 Angeletta D28/7
D533,721 S 12/2006 Urria
D609,014 S 2/2010 Hill
7,658,568 B1 * 2/2010 Armstrong A47L 13/30
401/205
D640,873 S 7/2011 Seehoff et al.
D654,792 S 2/2012 Bertelsen

D657,957 S 4/2012 Camp
D660,005 S 5/2012 Prague et al.
8,475,070 B1 7/2013 Miner et al.
8,533,894 B2 9/2013 Watanabe et al.
D750,492 S 3/2016 Campbell et al.
D763,081 S 8/2016 Cardinal et al.
D766,084 S 9/2016 Jiang
D787,830 S 5/2017 Jack et al.
D787,831 S 5/2017 Jack et al.
2007/0127977 A1 6/2007 Aiken
2010/0266329 A1 10/2010 Feo
2015/0272308 A1 10/2015 Harrington et al.
2017/0247173 A1 * 8/2017 Jack B05B 1/02

FOREIGN PATENT DOCUMENTS

CN 201793148 U 4/2011
CN 105228925 A 1/2016
EM 003350347-0003 9/2016
GB 999593 7/1965
WO 98/51587 11/1995
WO 2001/62122 8/2001

OTHER PUBLICATIONS

US Trademark Application #75515641 (now Registered Trademark #2363103) for "Power Out," filed on Jul. 8, 1998 by Turtle Wax Inc. First use in commerce date Dec. 1998. Retrieved on Jul. 26, 2017. (6 pages).
Turtle Wax T-244R1 Power Out . . . [on-line]; [item first available on Jul. 20, 2010]; [retrieved from the Internet on Jul. 26, 2017]. (8 pages).
How to Use Turtle Wax Ice Heavy Duty Floor Mat & Carpet Cleaner, [on-line video]; [published to the Internet by Turtle Wax on May 1, 2015]; [retrieved from the Internet on Jul. 26, 2017]; URL: <https://www.youtube.com/watch?v=t205bJOGQJ4>. (2 pages).
Turtle Wax Power Out Carpet & Mats Heavy Duty Cleaner, [on-line video]; [published to the Internet by Turtle Wax on Oct. 28, 2016]; [retrieved from the Internet on Jul. 26, 2017]; URL: https://www.youtube.com/watch?v=dWzT9_pz6kw. (3 pages).
European Extended Search Report for European Patent Application No. 16858478.7 dated Aug. 24, 2018 (10 pages).
Unpublished pending U.S. Appl. No. 29/555,926, filed Feb. 25, 2016, a copy of which is not being furnished herewith, pursuant to the Commissioner's Notice dated Sep. 21, 2004.
Nonfinal Office Action dated Aug. 9, 2017 in U.S. Appl. No. 29/555,926. (8 pages).
Response to Nonfinal Office Action dated Dec. 14, 2017 in U.S. Appl. No. 29/555,926. (14 pages).
Final Office Action dated May 1, 2018 in U.S. Appl. No. 29/555,926. (6 pages).
After Final Response dated Jul. 2, 2018 in U.S. Appl. No. 29/555,926. (4 pages).
Advisory Action dated Jul. 16, 2018 in U.S. Appl. No. 29/555,926. (3 pages).
Nonfinal Office Action dated Aug. 24, 2018 in Chinese Patent Application No. 201680004128.2 (11 pages).
International Preliminary Report on Patentability dated Aug. 28, 2018 for PCT Application No. PCT/US2016/061169 (7 pages).
English translation of Nonfinal Office Action dated Aug. 24, 2018 in Chinese Patent Application No. 201680004128.2 (12 pages).

* cited by examiner

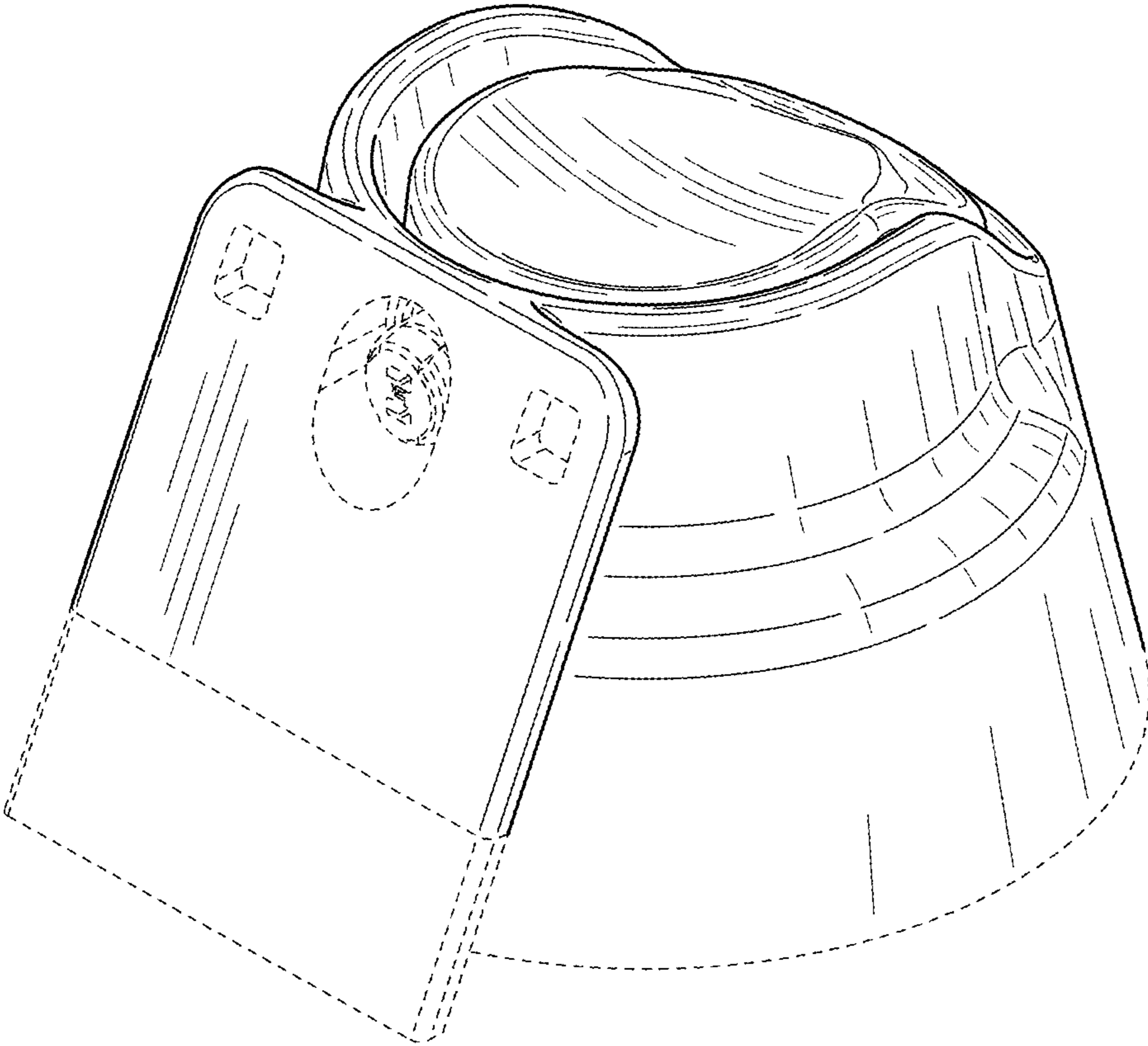


FIG. 1

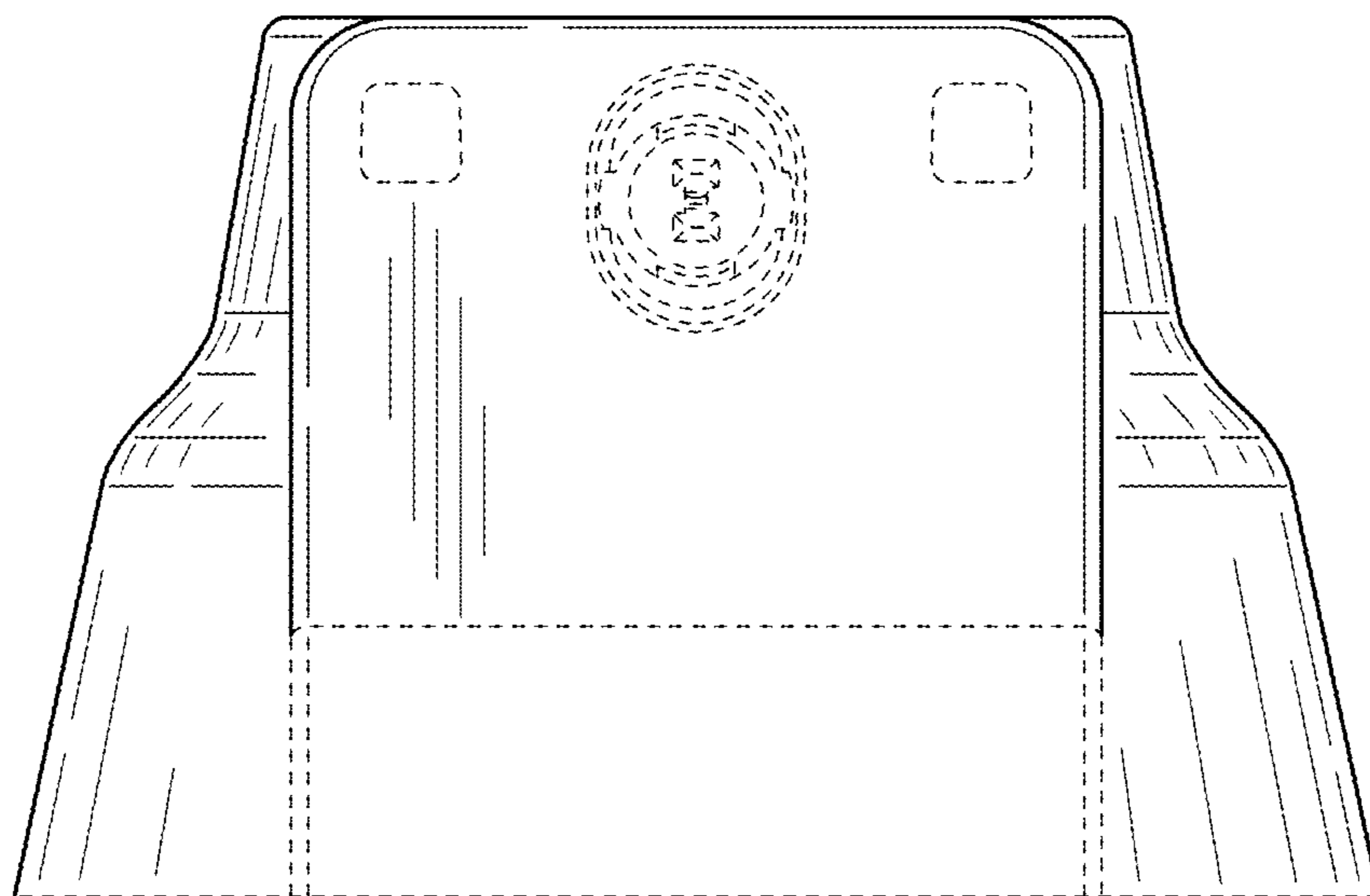


FIG. 2

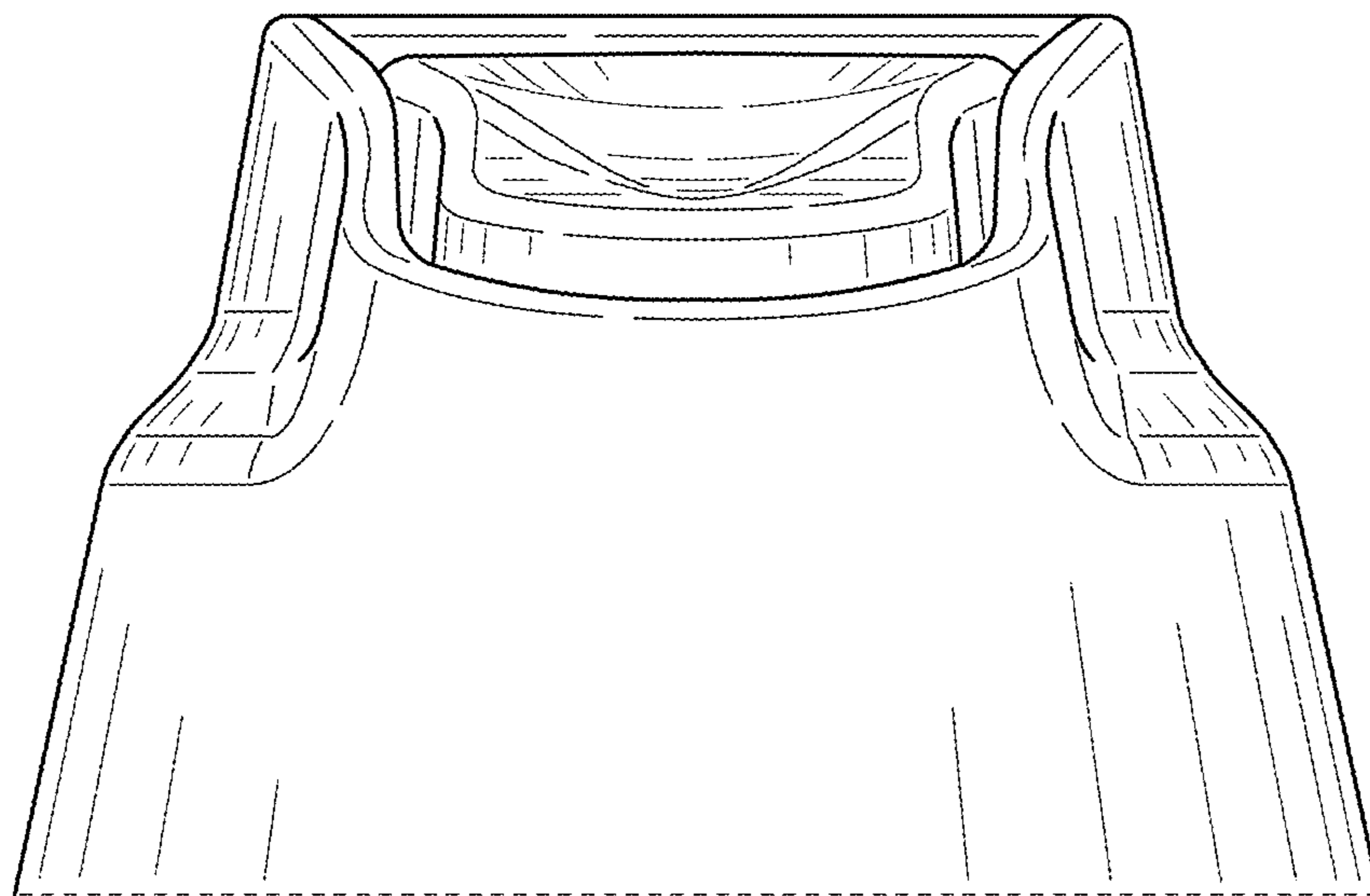


FIG. 3

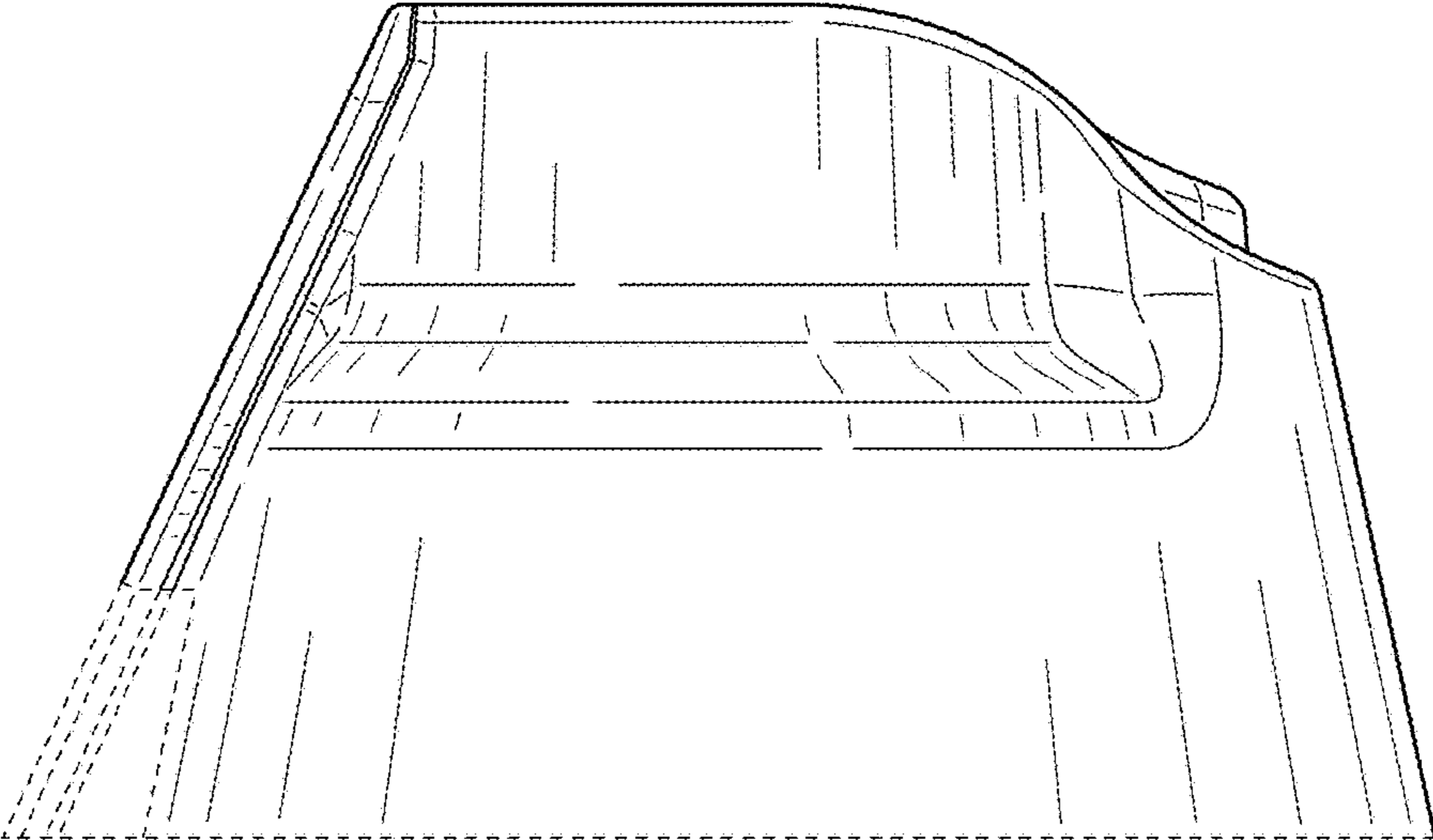


FIG. 4

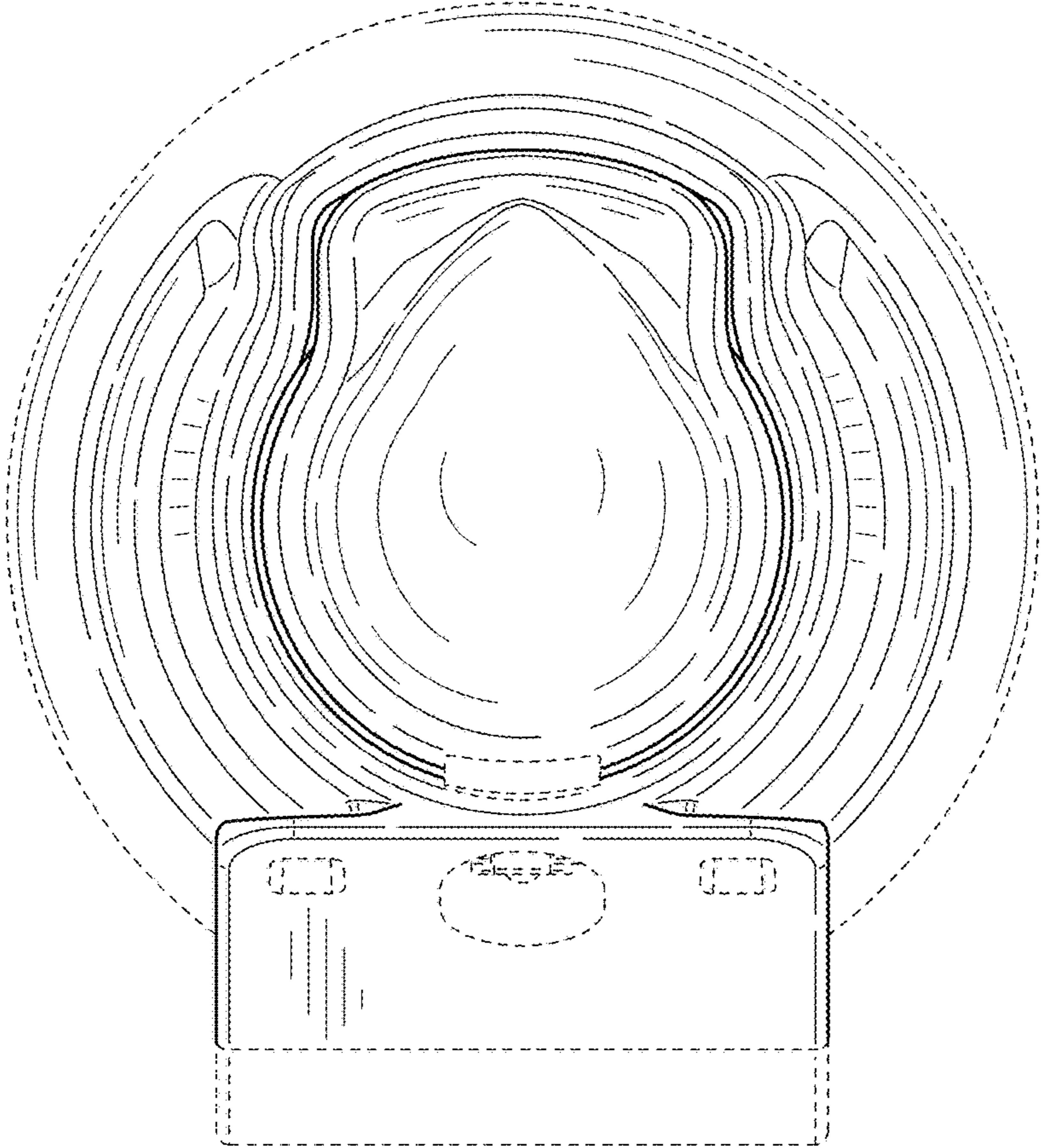


FIG. 5

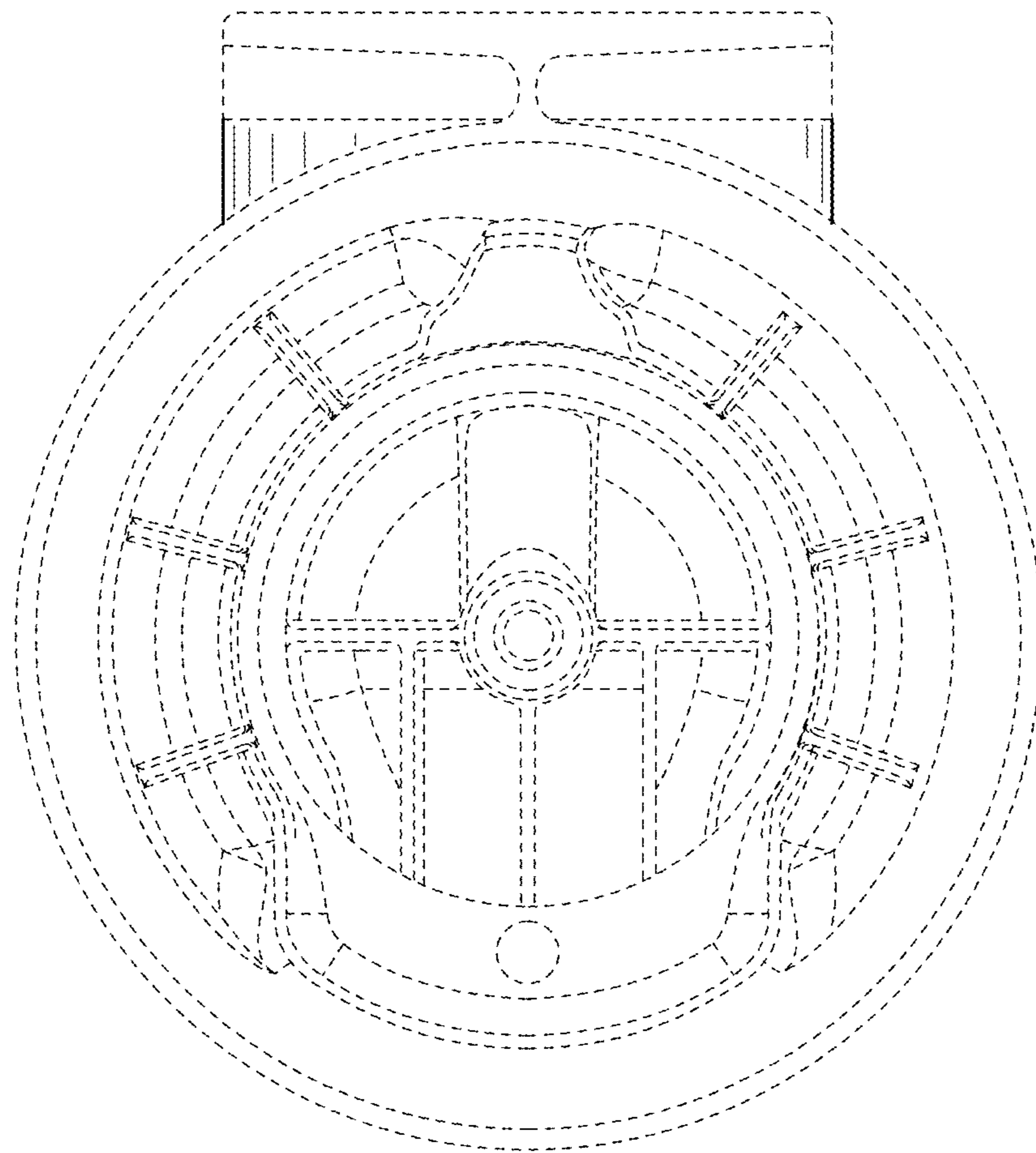


FIG. 6