



US00D838168S

(12) **United States Design Patent** (10) **Patent No.:** **US D838,168 S**  
**Glanzer et al.** (45) **Date of Patent:** **\*\* Jan. 15, 2019**

(54) **BOTTLE STOPPER**  
(71) Applicant: **OLD ELK DISTILLERIES, LLC,**  
Fort Collins, CO (US)  
(72) Inventors: **Matthew M. Glanzer,** Fort Collins, CO  
(US); **Curtis R. Richardson,** Fort  
Collins, CO (US); **David C. Russell,**  
Fort Collins, CO (US); **Steven B.**  
**Shockley,** Fort Collins, CO (US);  
**James M. Burke,** Fort Collins, CO  
(US); **Thomas D. Boileau,** Fort Collins,  
CO (US); **Brycen M. Smith,** Fort  
Collins, CO (US)

D310,030 S \* 8/1990 Mansau ..... D9/439  
D318,232 S \* 7/1991 Mansau ..... D9/439  
D339,969 S 10/1993 Gonyaw  
D422,215 S \* 4/2000 Gebb ..... D9/451  
D434,656 S \* 12/2000 Gebb ..... D9/451  
D450,242 S 11/2001 Harkness  
D450,587 S 11/2001 Harkness  
D588,457 S 3/2009 McGuinness  
D595,145 S 6/2009 Ivey  
D647,401 S \* 10/2011 Stein ..... D9/439  
D651,861 S \* 1/2012 Thomason ..... D7/628  
D677,566 S 3/2013 DuBow  
D681,459 S \* 5/2013 Ramsey ..... D9/452  
D708,517 S 7/2014 Hebert

(Continued)

(73) Assignee: **Old Elk Distilleries, LLC,** Fort  
Collins, CO (US)

(\*\*) Term: **15 Years**

(21) Appl. No.: **29/621,102**

(22) Filed: **Oct. 4, 2017**

(51) **LOC (11) Cl.** ..... **09-03**

(52) **U.S. Cl.**  
USPC ..... **D9/441**

(58) **Field of Classification Search**  
USPC ..... D7/514-517, 519-520, 539, 604, 613,  
D7/619.2, 623, 628, 392.1; D9/600-601,  
D9/614-619, 632, 434, 436, 439-441,  
D9/444-454, 499; 206/494, 457, 459.1,  
206/459.2; 220/890; 215/206, 260,  
215/387-400  
CPC ..... B65D 67/00; B65D 81/36; B65D 81/365;  
B65D 81/366; B65D 81/368; B65D  
41/00; B65D 41/02; B65D 51/245; A63H  
33/16

See application file for complete search history.

(56) **References Cited**

**U.S. PATENT DOCUMENTS**

2,320,323 A 5/1943 George  
D303,932 S \* 10/1989 Pasillas ..... D9/451

**OTHER PUBLICATIONS**

Alaska Far Northern Knives, "Antler Bottle Stopper," downloaded  
from <http://www.akfnk.com/anboop.html> Oct. 4, 2017, 1 page.

(Continued)

*Primary Examiner* — Sandra L Morris

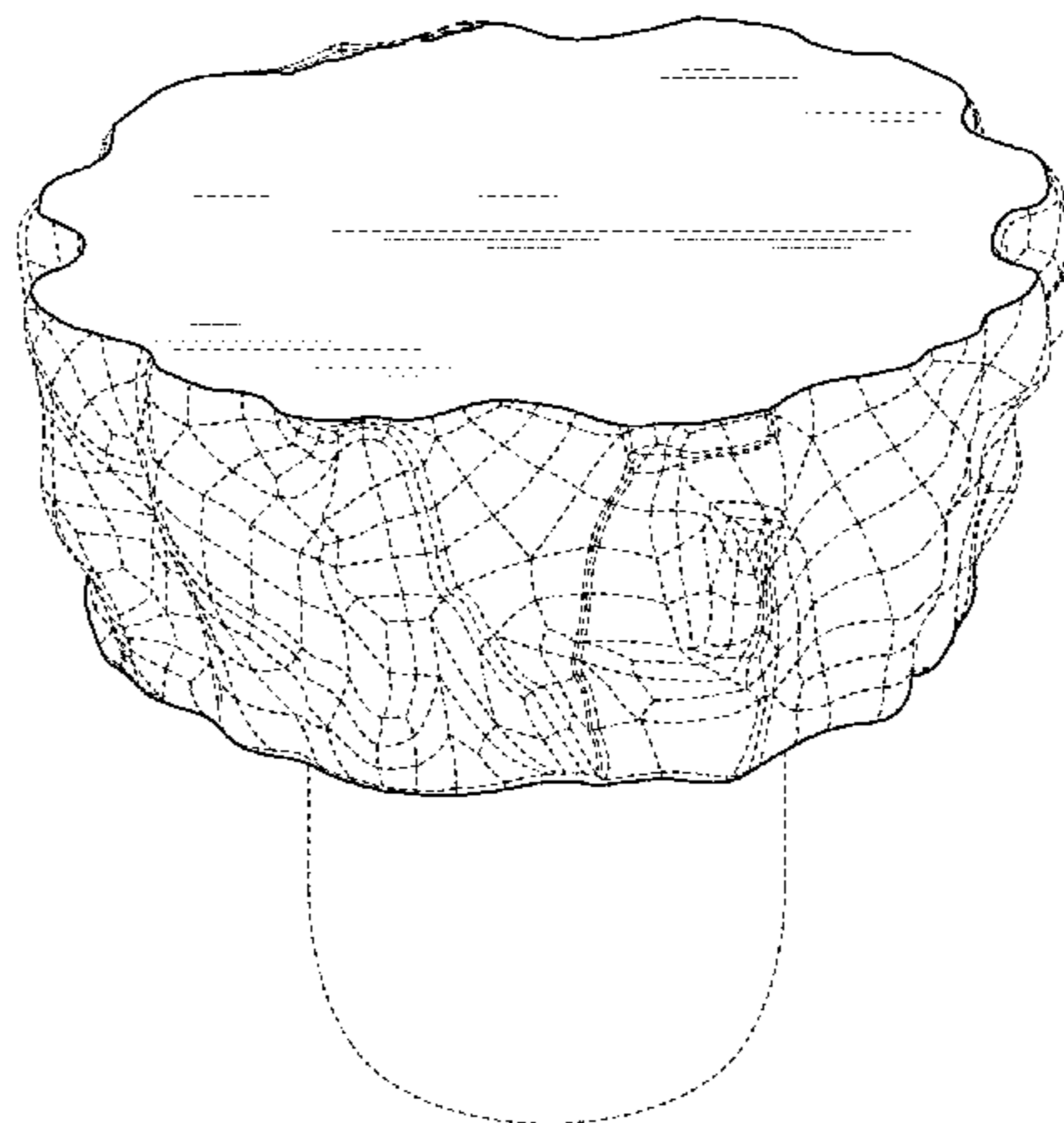
(57) **CLAIM**

The ornamental design for a bottle stopper, as shown and  
described.

**DESCRIPTION**

FIG. 1 is a front isometric view of a bottle stopper;  
FIG. 2 is a rear isometric view thereof;  
FIG. 3 is a front view thereof;  
FIG. 4 is a rear view thereof;  
FIG. 5 is a left view thereof;  
FIG. 6 is a right view thereof;  
FIG. 7 is a top view thereof; and,  
FIG. 8 is a bottom view thereof.  
The dash-dash broken lines depict unclaimed subject matter.  
The broken lines and unshaded surfaces bounded by broken  
lines form no part of the claimed design.

**1 Claim, 8 Drawing Sheets**



(56)

**References Cited**

U.S. PATENT DOCUMENTS

D717,648 S \* 11/2014 Firestone ..... D9/439  
D720,220 S \* 12/2014 Bartholdy ..... D9/451  
D758,855 S 6/2016 Huang

OTHER PUBLICATIONS

Heritage Pewter, "Elk w/ Brass Antlers Pewter Bottle Stopper," downloaded from <https://www.amazon.com/Brass-Antlers-Pewter-Bottle-Stopper/dp/B008DJ92FE> on Oct. 4, 2017, 4 pages.

IdahoAntlerArt, "Wine Stopper, Deer Antler and Hardwood," downloaded from [https://www.etsy.com/listing/250339570/wine-stopper-deer-antler-and-hardwood?ref=shop\\_home\\_active\\_35](https://www.etsy.com/listing/250339570/wine-stopper-deer-antler-and-hardwood?ref=shop_home_active_35) on Oct. 4, 2017, 2 pages.

Kate Aspen, "Rustic Charm Antler Bottle Stopper," downloaded from <http://www.kateaspen.co/antler-bottle-stopper.html> on Oct. 4, 2017, 2 pages.

King Ranch Saddle Shop, "Antler Bottle Cork," downloaded from <http://www.krsaddleshop.com/Antler-Bottle-Cork> Oct. 4, 2017, 2 pages.

\* cited by examiner

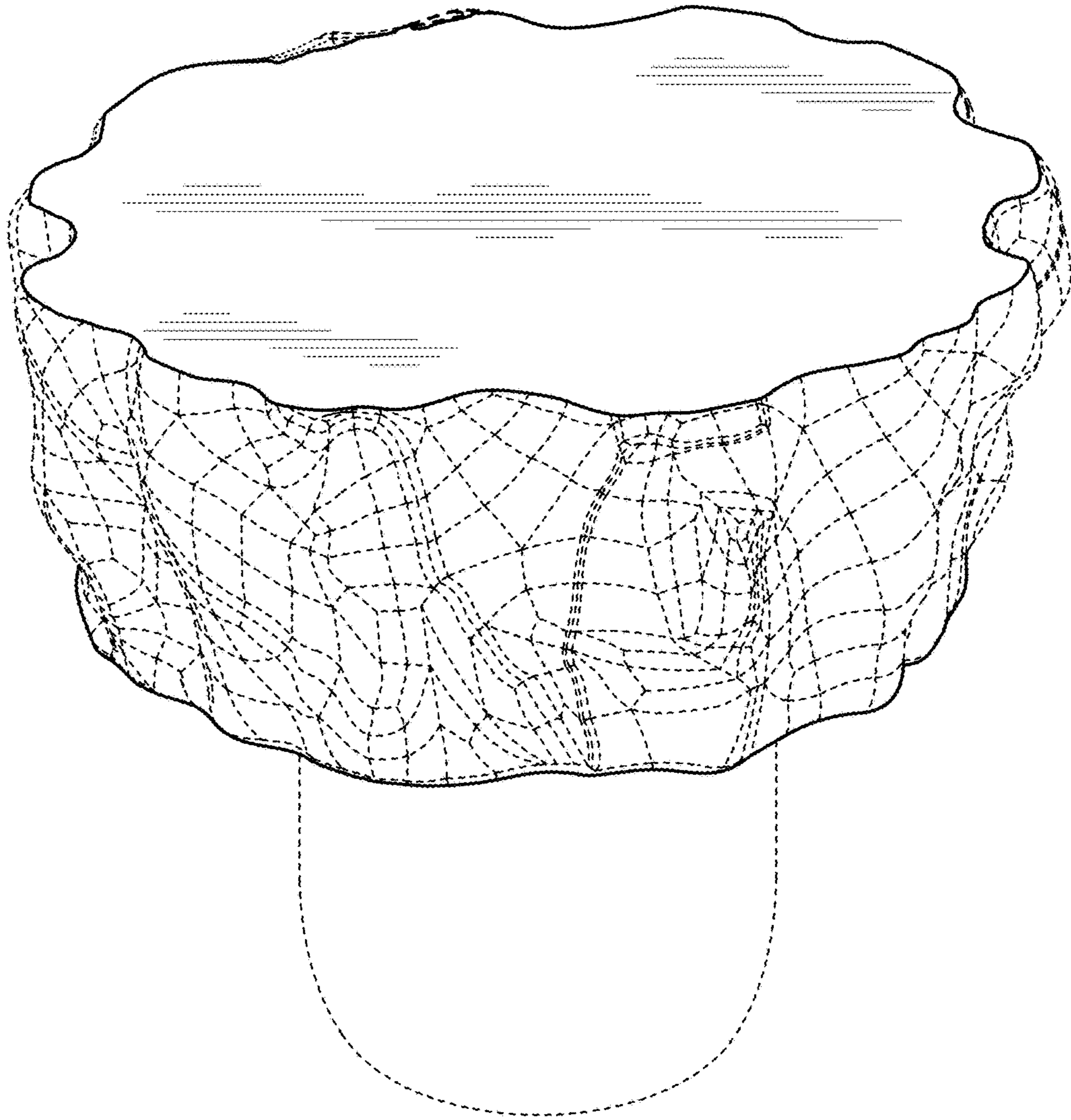


FIG. 1

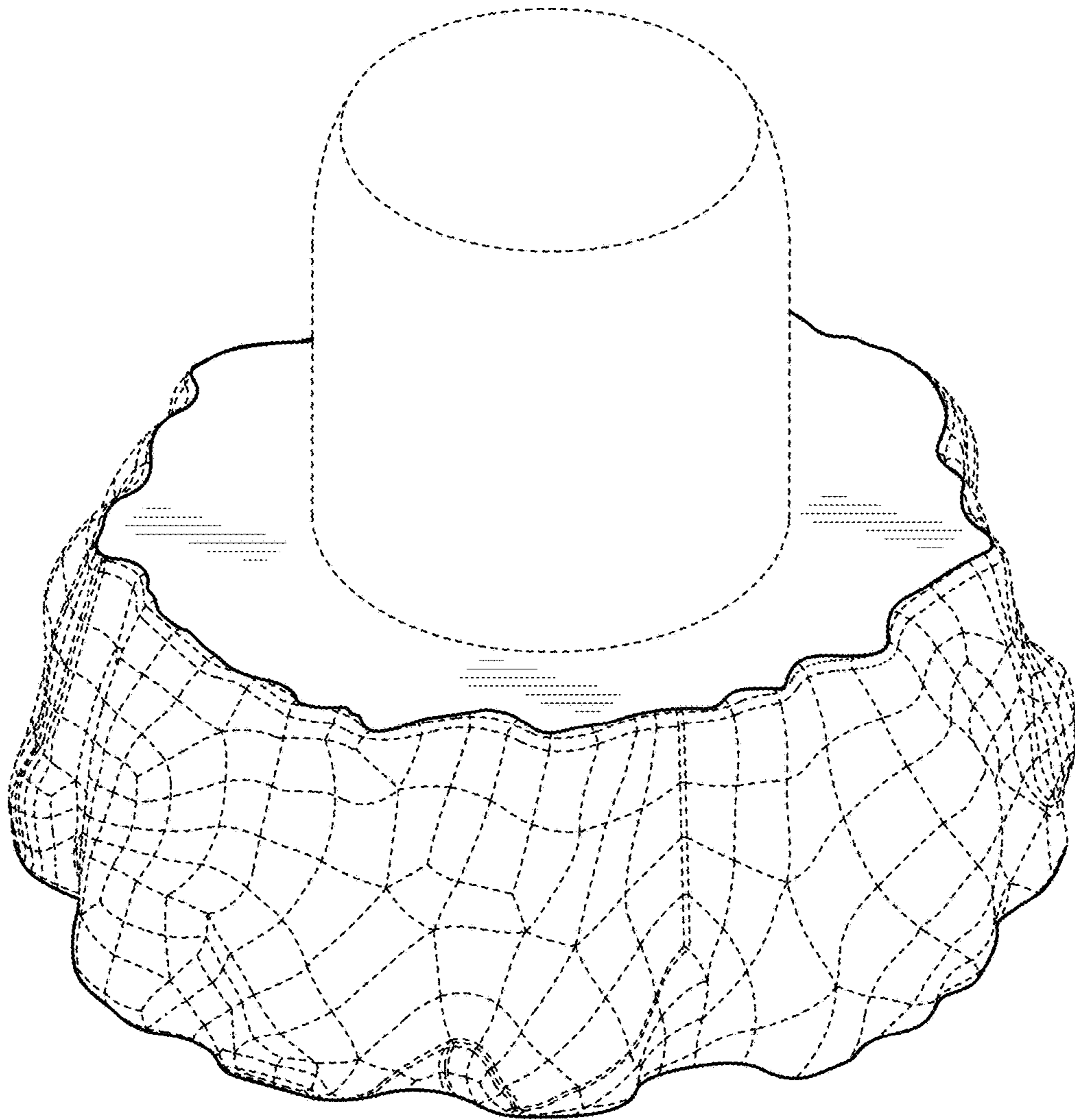


FIG. 2

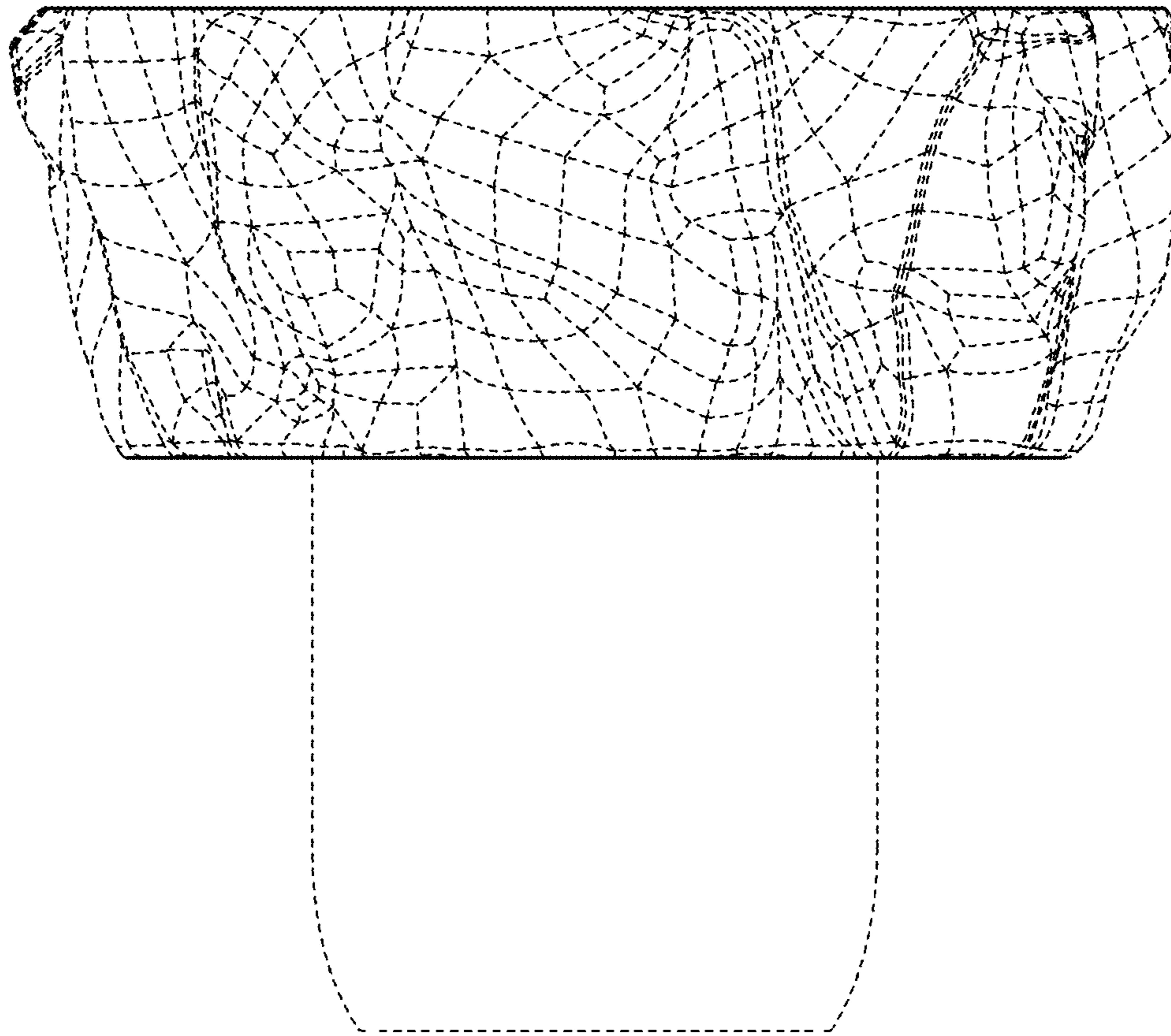


FIG. 3

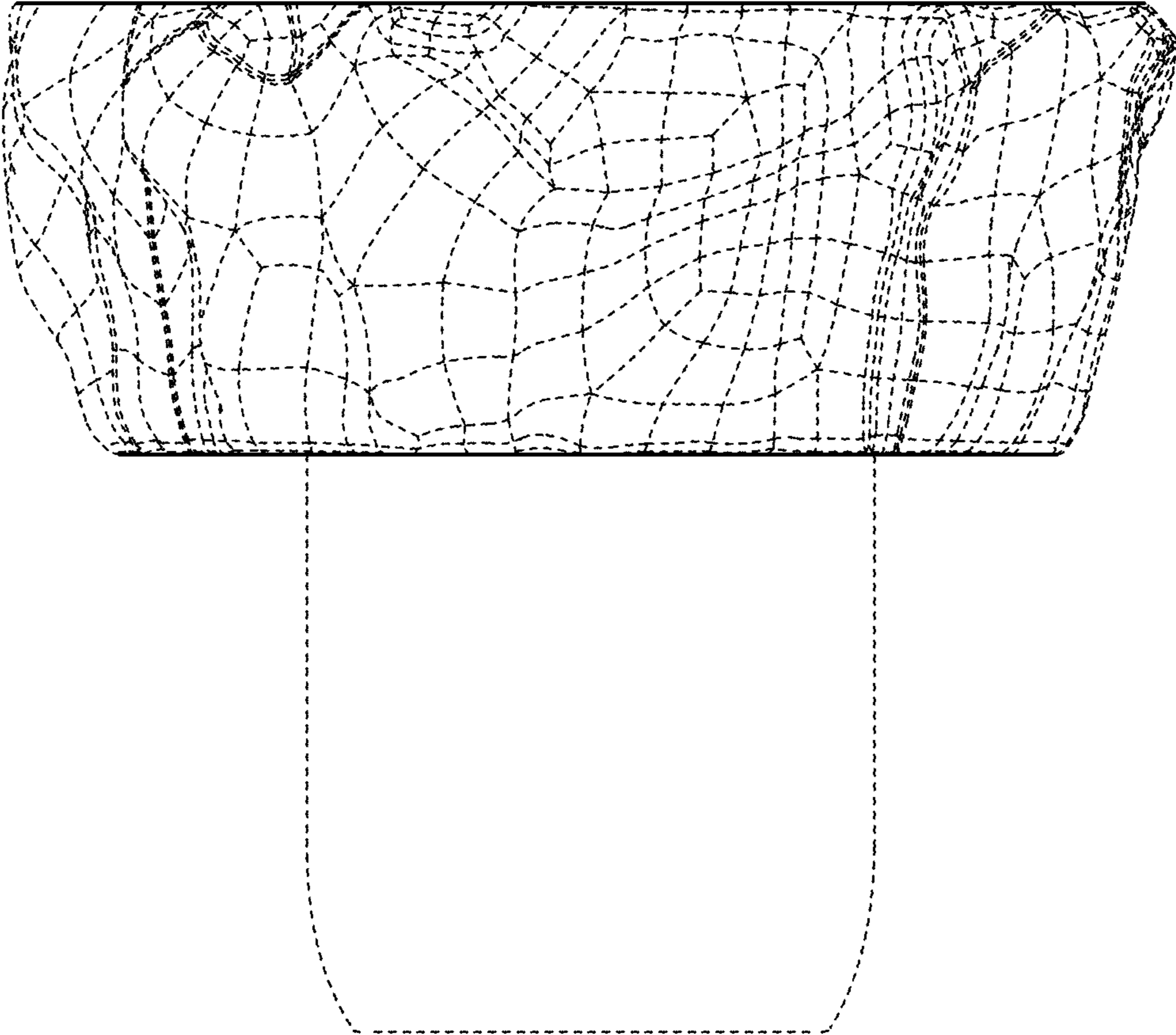


FIG. 4

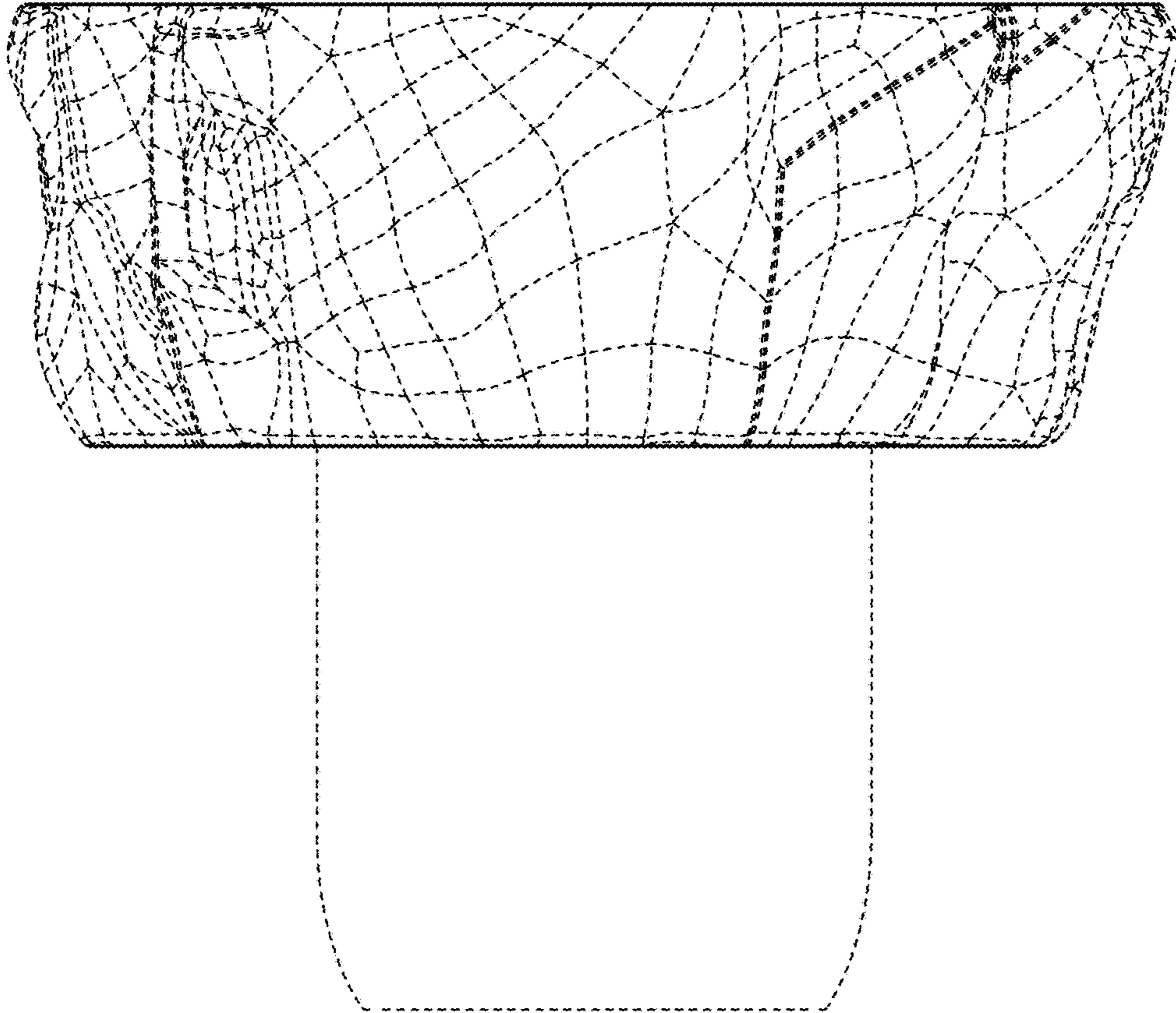


FIG. 5

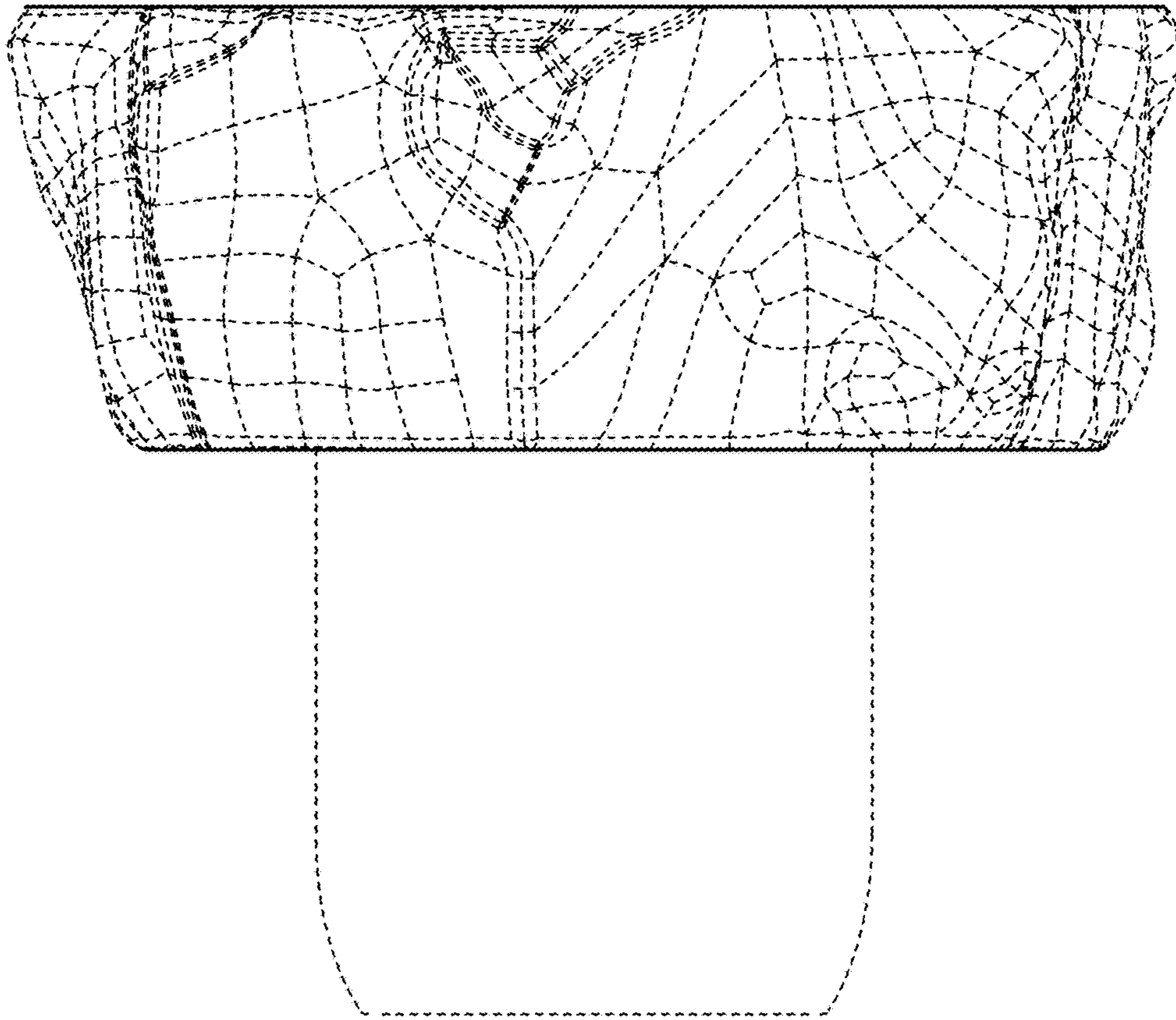


FIG. 6



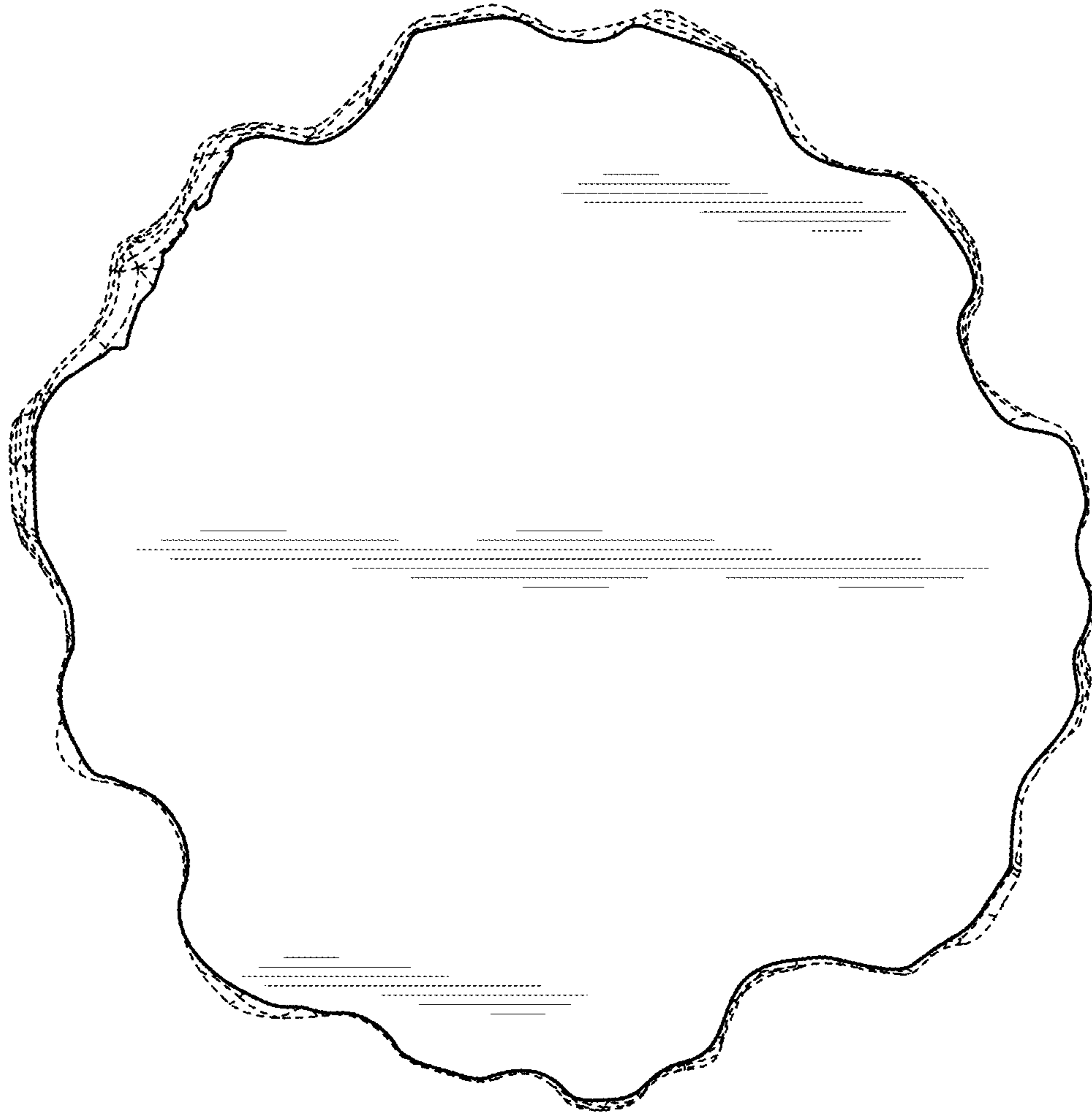


FIG. 7

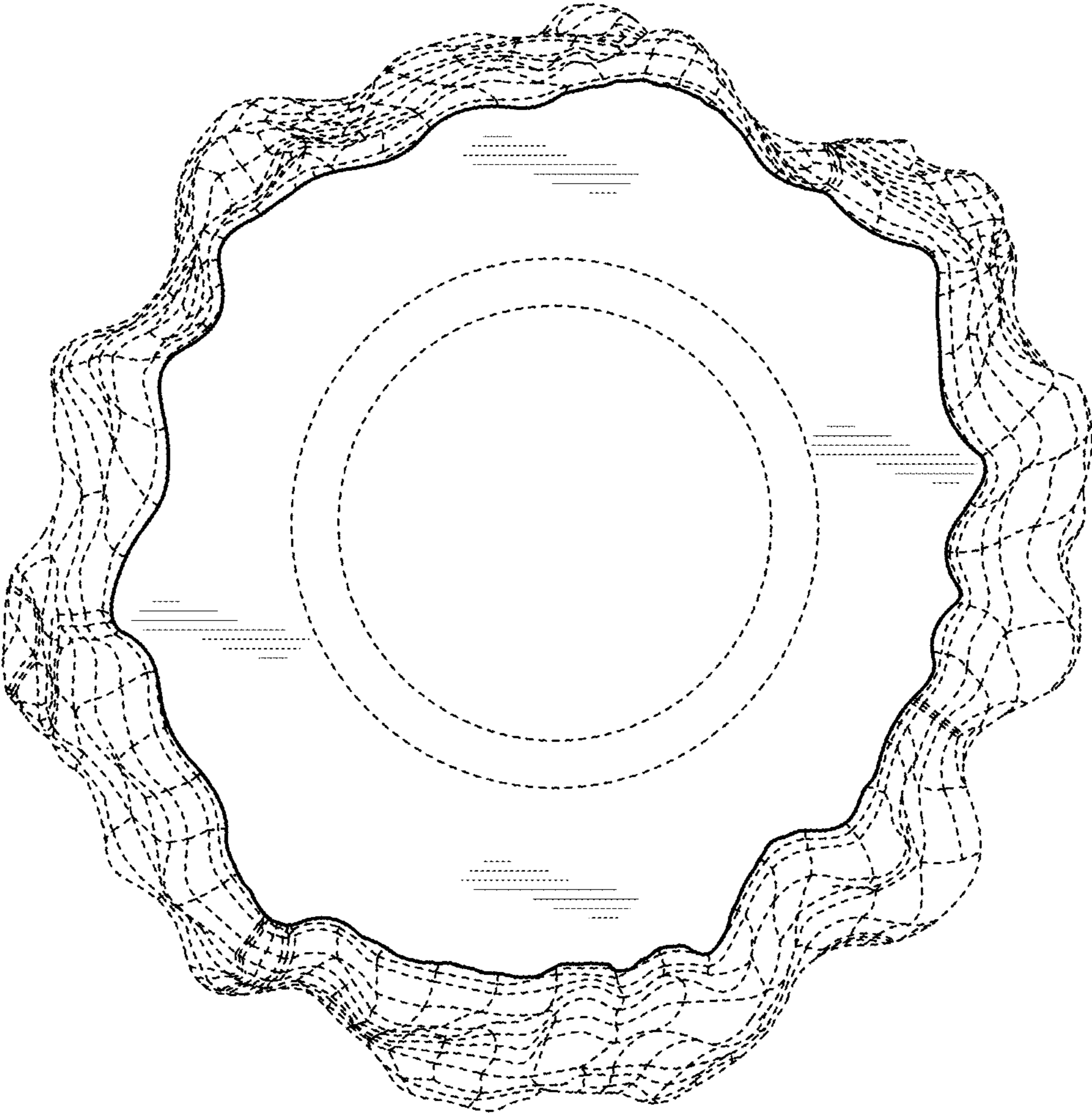


FIG. 8