



US00D838167S

(12) **United States Design Patent**
Lopynski

(10) **Patent No.:** **US D838,167 S**
(45) **Date of Patent:** **** Jan. 15, 2019**

(54) **LID FOR BEVERAGE CONTAINER**

(71) Applicant: **John J. Lopynski**, Clifton, VA (US)

(72) Inventor: **John J. Lopynski**, Clifton, VA (US)

(**) Term: **15 Years**

(21) Appl. No.: **29/617,215**

(22) Filed: **Sep. 12, 2017**

(51) **LOC (11) Cl.** **09-07**

(52) **U.S. Cl.**
USPC **D9/436; D9/435**

(58) **Field of Classification Search**
USPC D3/201, 202, 318; D7/387, 392, 392.1,
D7/396.2, 396.3, 397, 398, 511, 629;
D9/434, 435, 436-440, 443, 445-449,
D9/454, 456, 499
CPC A47G 19/2272; B65D 43/0225; B65D
47/32; B65D 53/02; B65D 55/16
See application file for complete search history.

(56) **References Cited**

U.S. PATENT DOCUMENTS

D172,571 S *	7/1954	Ward	81/3.09
D218,733 S *	9/1970	Innvar	D9/446
D287,919 S	1/1987	Clements	
D292,676 S	11/1987	Mileto	
D389,999 S *	2/1998	Daigle	D3/201
D437,782 S *	2/2001	Haley	D9/440
D533,779 S	12/2006	Schmidtner et al.	
D537,717 S	3/2007	Notarianni	
D539,649 S	4/2007	Smith et al.	
D567,650 S *	4/2008	Leoncavallo	D9/434
D623,010 S *	9/2010	Higgins	D7/315
D626,409 S *	11/2010	Hooley	D7/622
D630,510 S	1/2011	Yacktman	
8,011,521 B2	9/2011	Clark	
D690,987 S	10/2013	Gallen	
8,672,174 B1	3/2014	McMullin	
D719,780 S *	12/2014	Sullivan	D7/392.1
D747,198 S *	1/2016	Biswas	D9/434

(Continued)

OTHER PUBLICATIONS

Camelbak. The Best Bottle for You. 2018 [earliest online date], [site visited Jul. 19, 2018]. Available from Internet, <URL:https://www.camelbak.com/en/Water%20Bottle%20Buyers%20Guide>. (Year: 2018).*

Primary Examiner — George D. Kirschbaum

Assistant Examiner — Darcey E Heflin

(74) *Attorney, Agent, or Firm* — Rossi, Kimms & McDowell LLP

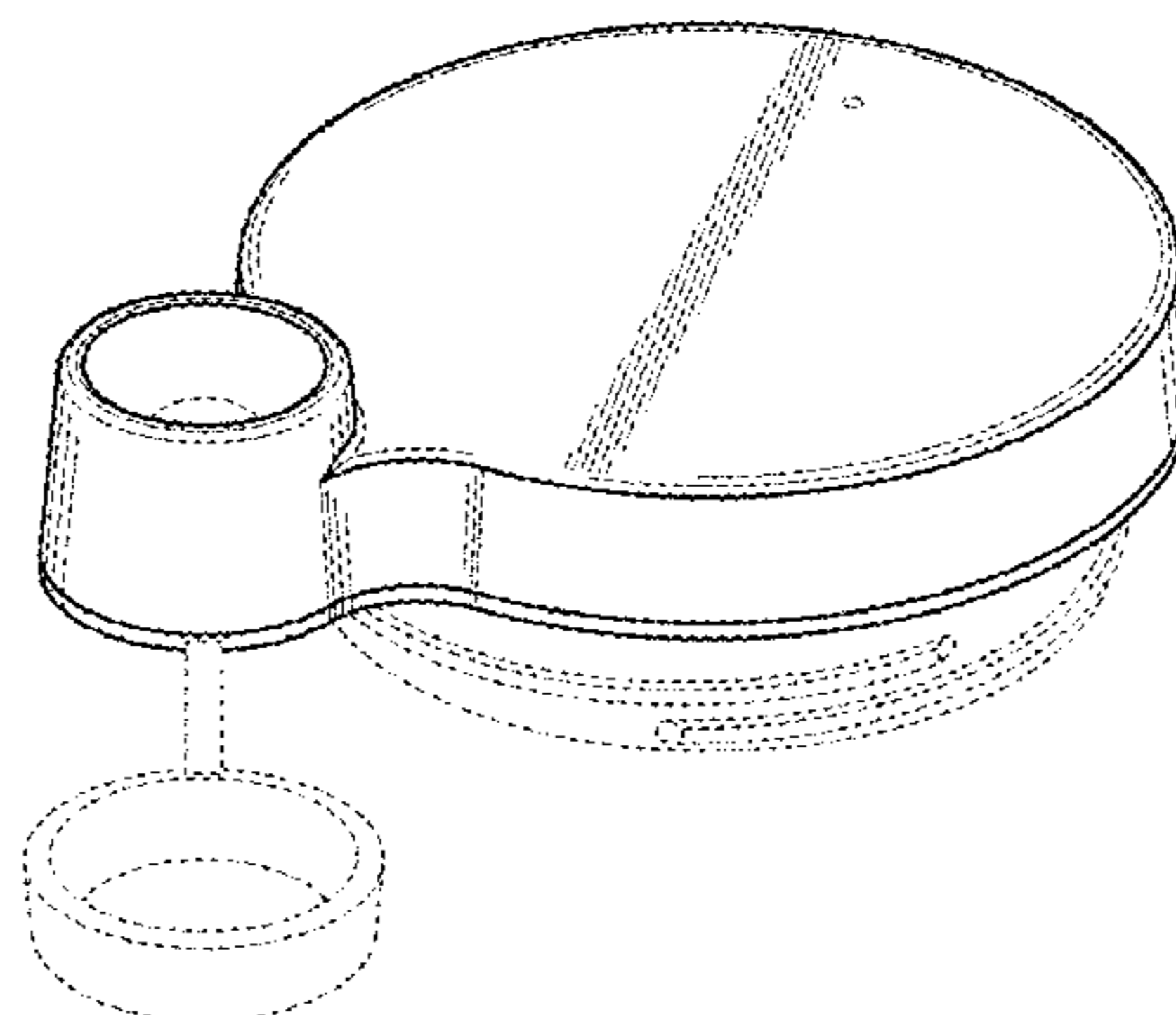
(57) **CLAIM**

I claim the ornamental design for a lid for beverage container, as shown and described.

DESCRIPTION

FIG. 1 is a perspective view of a lid for beverage container showing my new design, with a cap shown in dashed lines; FIG. 2 is a top plan view thereof (with the cap not shown); FIG. 3 is a bottom plan view thereof (with the cap not shown); FIG. 4 is a right side elevational view thereof (with the cap not shown); FIG. 5 is a left side elevational view thereof (with the cap not shown); FIG. 6 is a front elevational view thereof (with the cap not shown); and, FIG. 7 is a rear elevational view thereof (with the cap not shown). Dashed lines representing a threaded portion for coupling to a container (in FIGS. 1, 4, 5, 6, and 7), the cap (in FIG. 1), a drinking opening (in FIGS. 1 and 2), a vent opening (in FIGS. 1-3), and a ramp configuration (in FIG. 3) are for purposes of illustrating portions of a lid and form no part of the claimed design.

1 Claim, 3 Drawing Sheets



(56)

References Cited

U.S. PATENT DOCUMENTS

D795,007	S	8/2017	Plassmeyer	
D797,555	S *	9/2017	Carlson	D9/436
9,848,722	B1 *	12/2017	Lopynski	B65D 43/022
D809,919	S *	2/2018	Carlson	D9/436
2008/0000866	A1	1/2008	Yates, III	
2013/0146620	A1	6/2013	Ghezelayagh	
2015/0353259	A1	12/2015	Burden	
2016/0051069	A1	2/2016	Turner et al.	

* cited by examiner

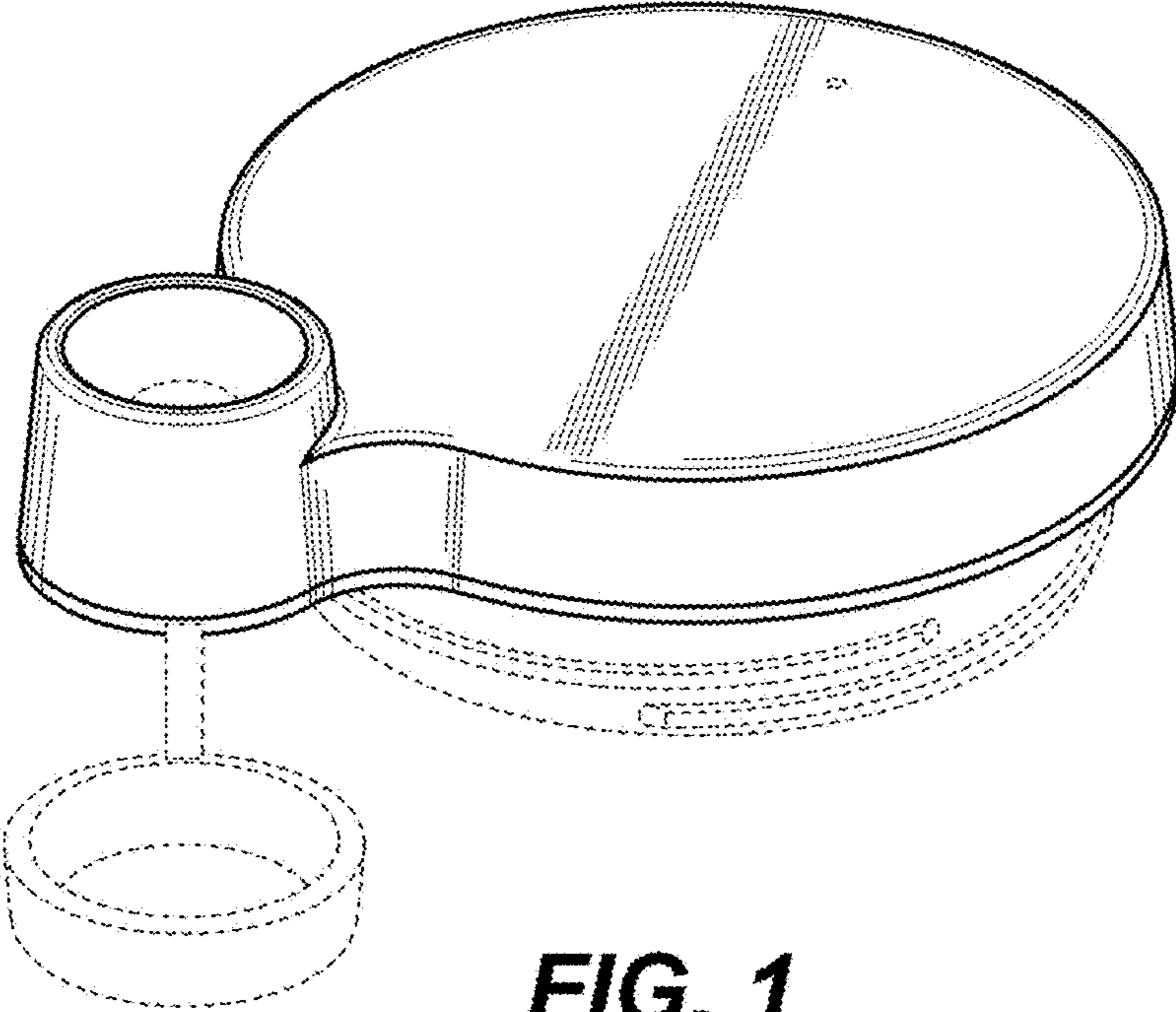


FIG. 1

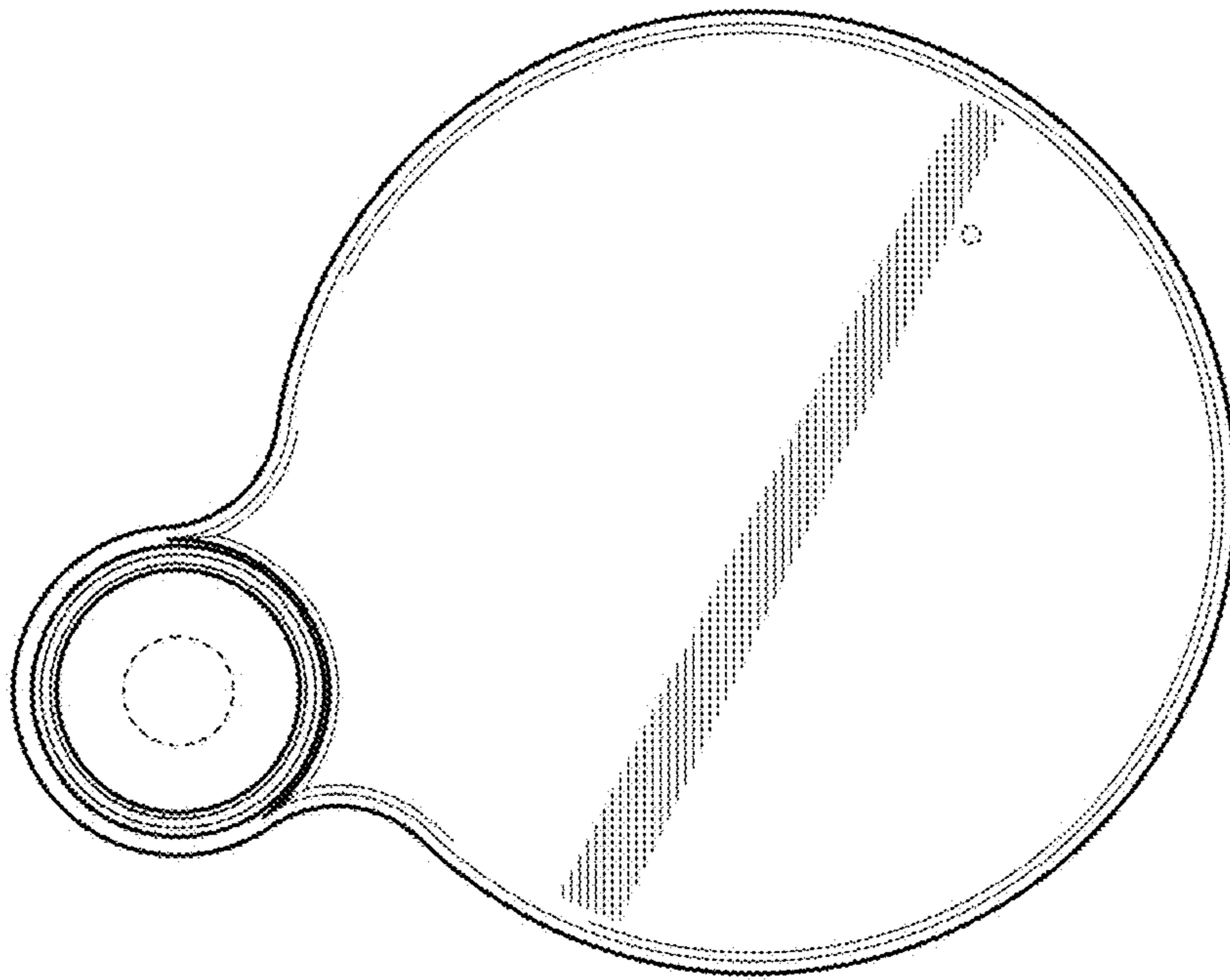


FIG. 2

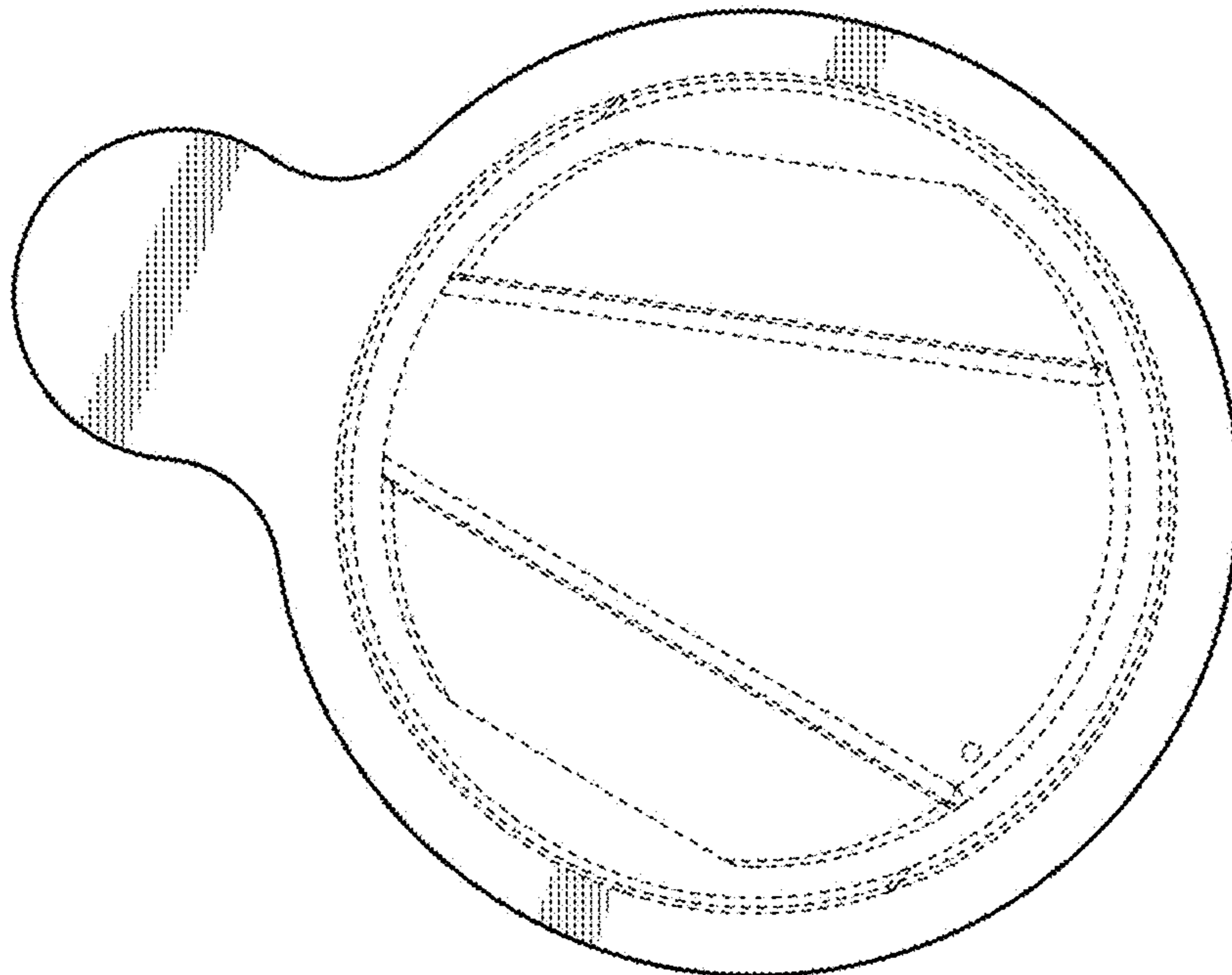


FIG. 3

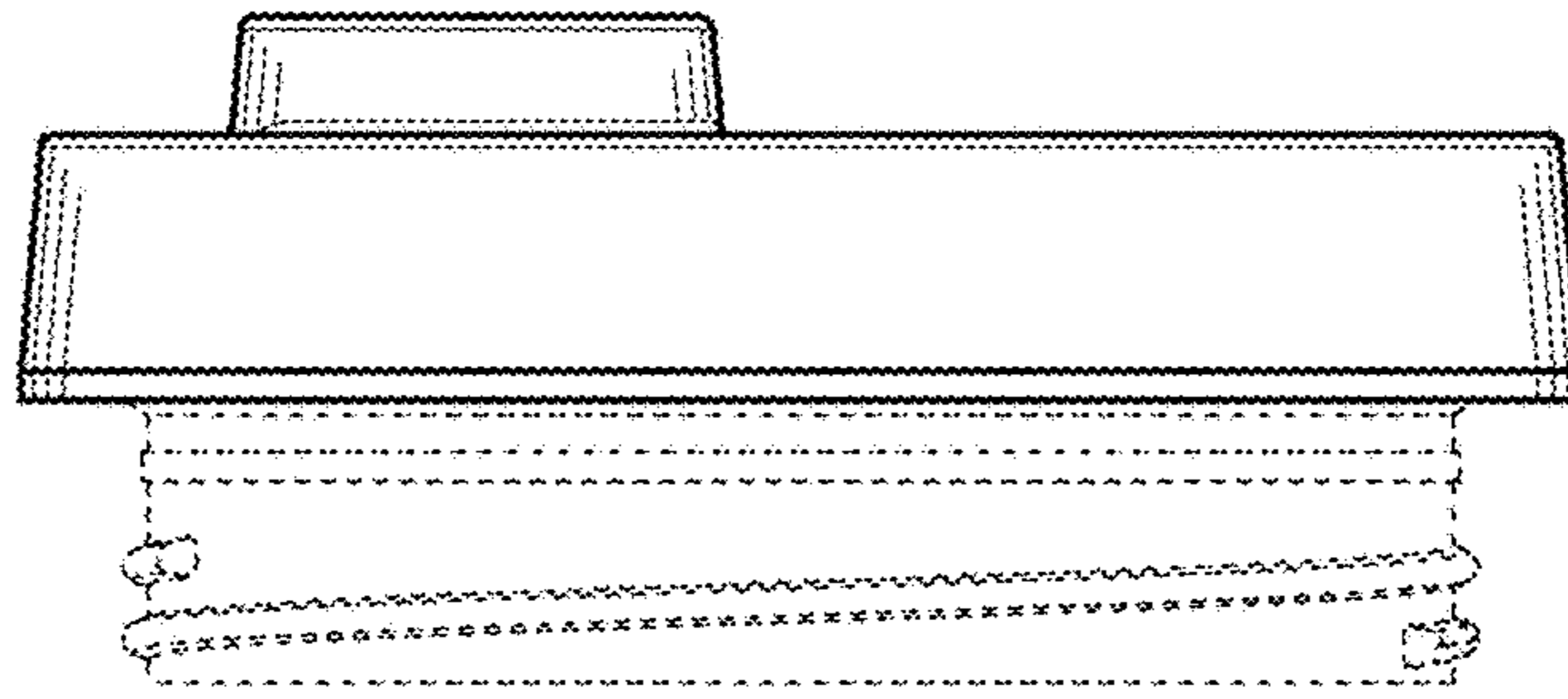


FIG. 4

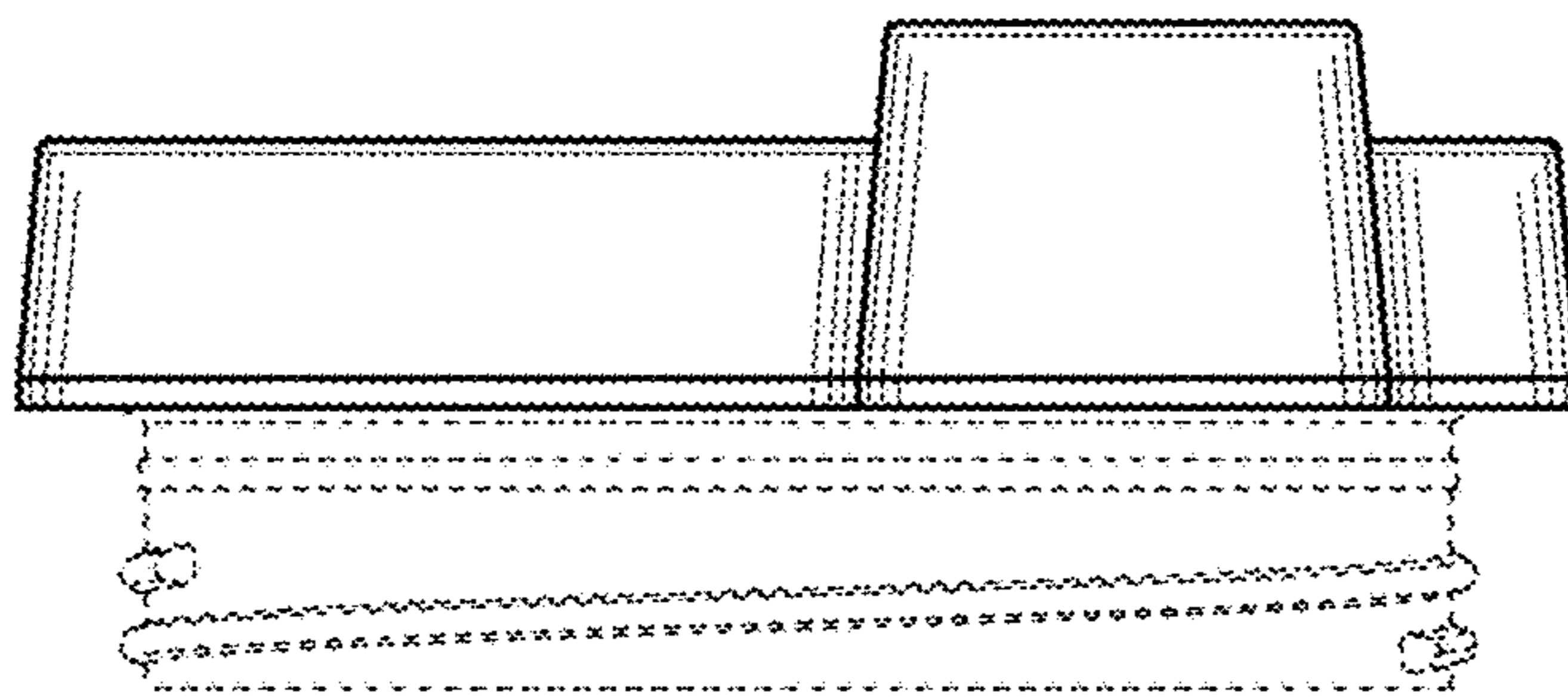


FIG. 5

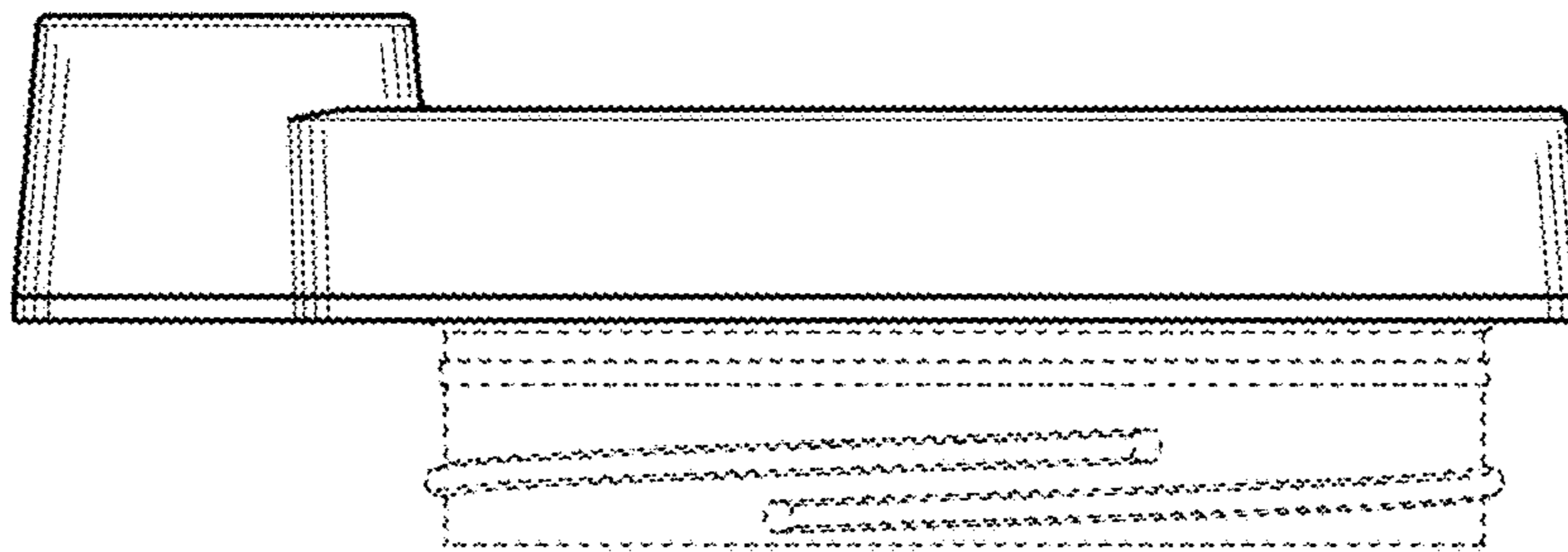


FIG. 6

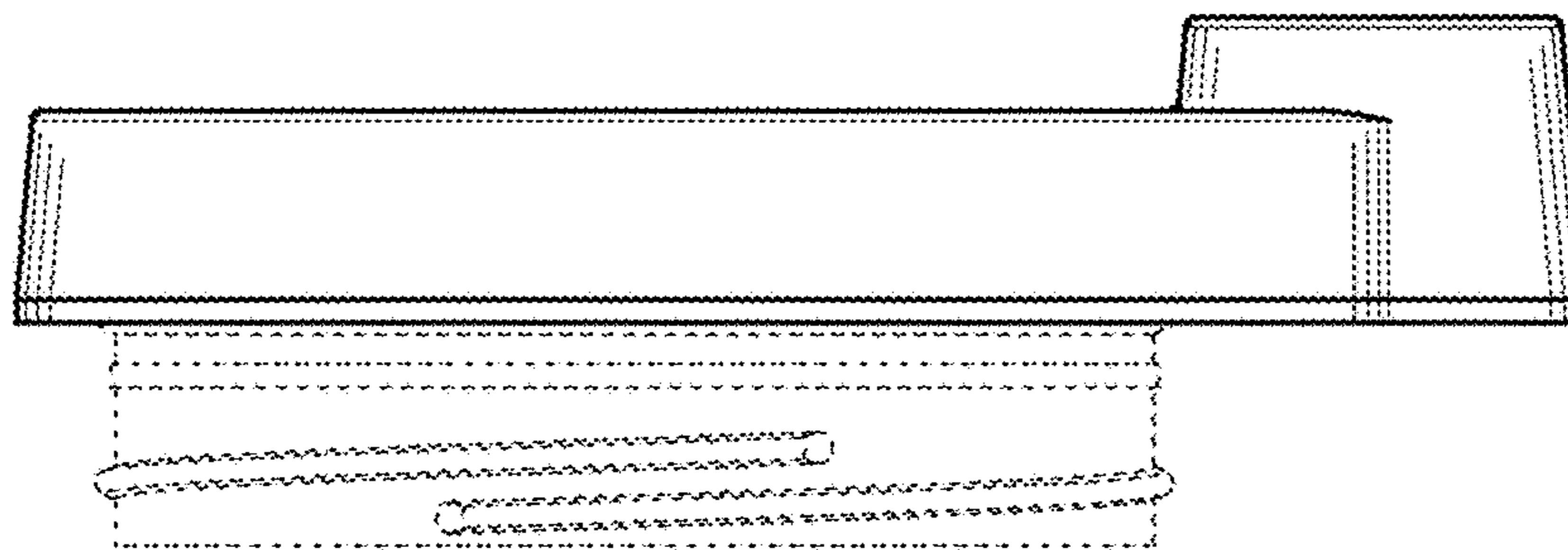


FIG. 7