



US00D838166S

(12) **United States Design Patent**  
**Rust et al.**

(10) **Patent No.:** **US D838,166 S**  
(45) **Date of Patent:** **\*\* Jan. 15, 2019**

- (54) **CAP FOR A CONTAINER**
- (71) Applicant: **3M INNOVATIVE PROPERTIES COMPANY**, St. Paul, MN (US)
- (72) Inventors: **Michael J. Rust**, Volga, SD (US);  
**Patrick R. McKellips**, Stillwater, MN (US)
- (73) Assignee: **3M Innovative Properties Company**, St. Paul, MN (US)
- (\*\*) Term: **15 Years**
- (21) Appl. No.: **29/627,060**
- (22) Filed: **Nov. 22, 2017**

**Related U.S. Application Data**

- (62) Division of application No. 29/572,732, filed on Jul. 29, 2016, now Pat. No. Des. 812,474.
- (51) **LOC (11) Cl.** ..... **09-07**
- (52) **U.S. Cl.**  
USPC ..... **D9/435**
- (58) **Field of Classification Search**  
USPC ..... D3/202, 203.1, 203.2, 203.3, 203.4, 207, D3/208, 240, 276, 318; D7/387, 392, D7/392.1, 396.1, 396.2, 397, 398, 601, D7/602, 708.1, 619.1, 620, 622, 632, 633; D8/18; D9/434-438, 440, 443-449, D9/453-457, 499, 516, 522, 537, 549, D9/562, 715, 718, 719, 722, 738, 739, D9/746; D11/4; D20/22, 27; D23/259; D30/152  
CPC ..... B65D 41/02  
See application file for complete search history.

(56) **References Cited**

**U.S. PATENT DOCUMENTS**

- D402,202 S 12/1998 Sherman et al.
- D440,494 S \* 4/2001 Sagel ..... D9/450

D600,115 S *	9/2009	Trayser	.....	D9/434
D601,017 S *	9/2009	Hungerford	.....	D9/434
D625,183 S *	10/2010	Bartsch	.....	D9/434
D639,653 S *	6/2011	Kanda	.....	D9/434
D666,096 S *	8/2012	Cummings	.....	D9/447
D666,097 S *	8/2012	Cummings	.....	D9/447
D666,098 S *	8/2012	Cummings	.....	D9/447
D666,099 S *	8/2012	Cummings	.....	D9/447
D696,113 S *	12/2013	Stein	.....	D9/447
D696,942 S *	1/2014	Kim	.....	D9/447
D779,940 S *	2/2017	Kim	.....	D9/449
D780,579 S *	3/2017	Kim	.....	D9/449
D781,640 S *	3/2017	Roth	.....	D7/300.2
D812,474 S *	3/2018	Rust	.....	D9/449

\* cited by examiner

*Primary Examiner* — George D. Kirschbaum  
*Assistant Examiner* — Darcey E Heflin  
(74) *Attorney, Agent, or Firm* — Eric E. Silverman

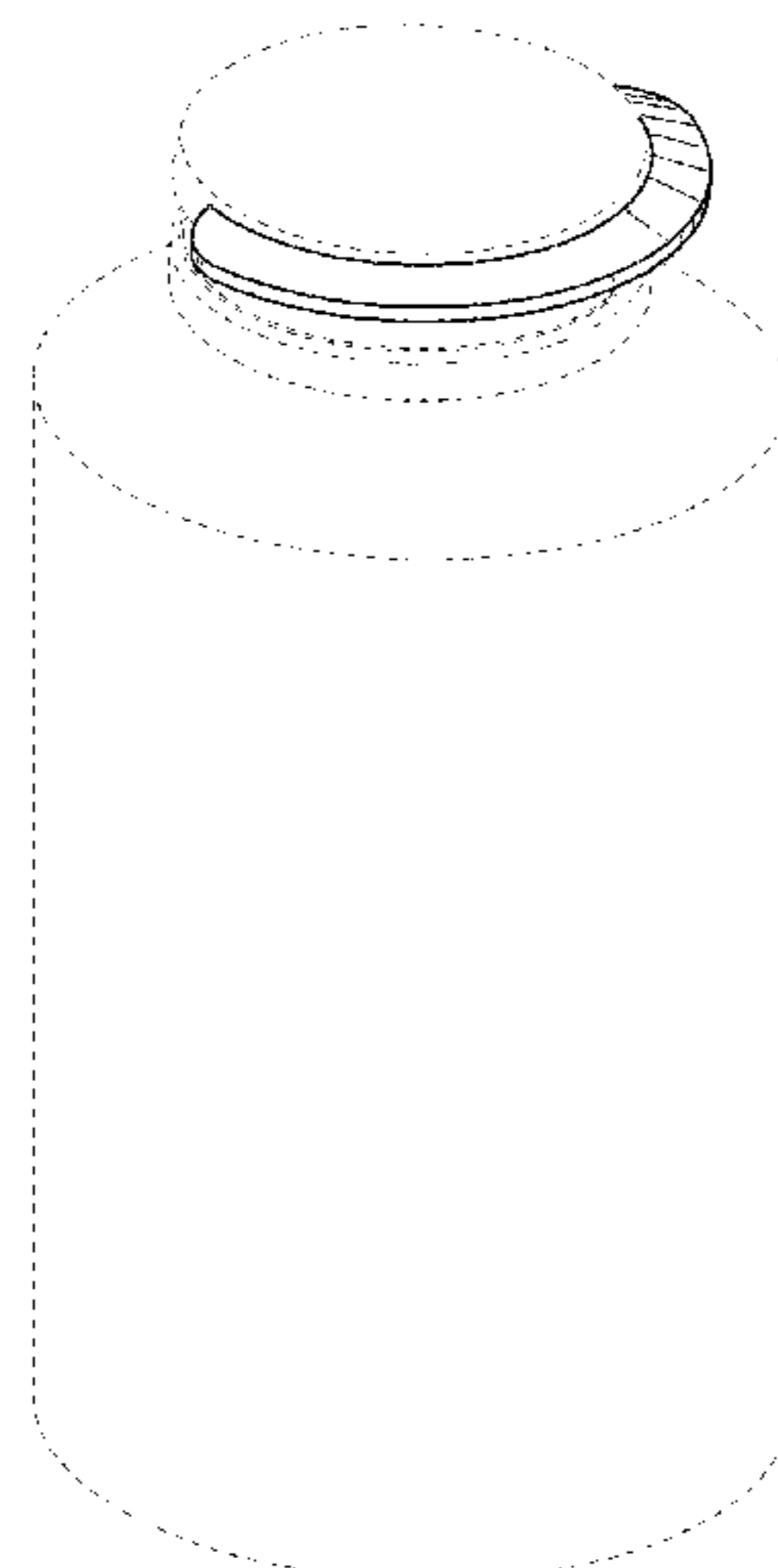
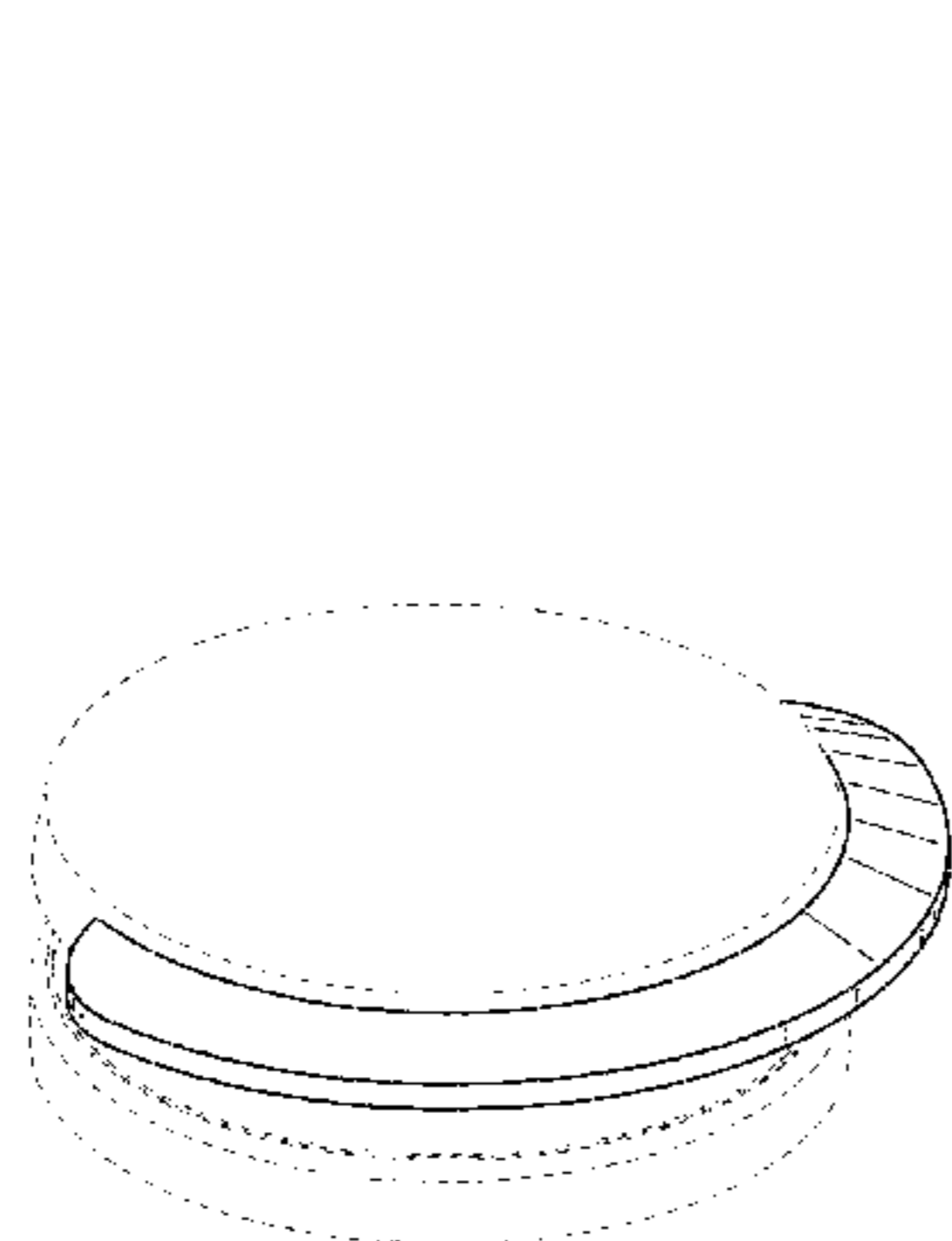
(57) **CLAIM**

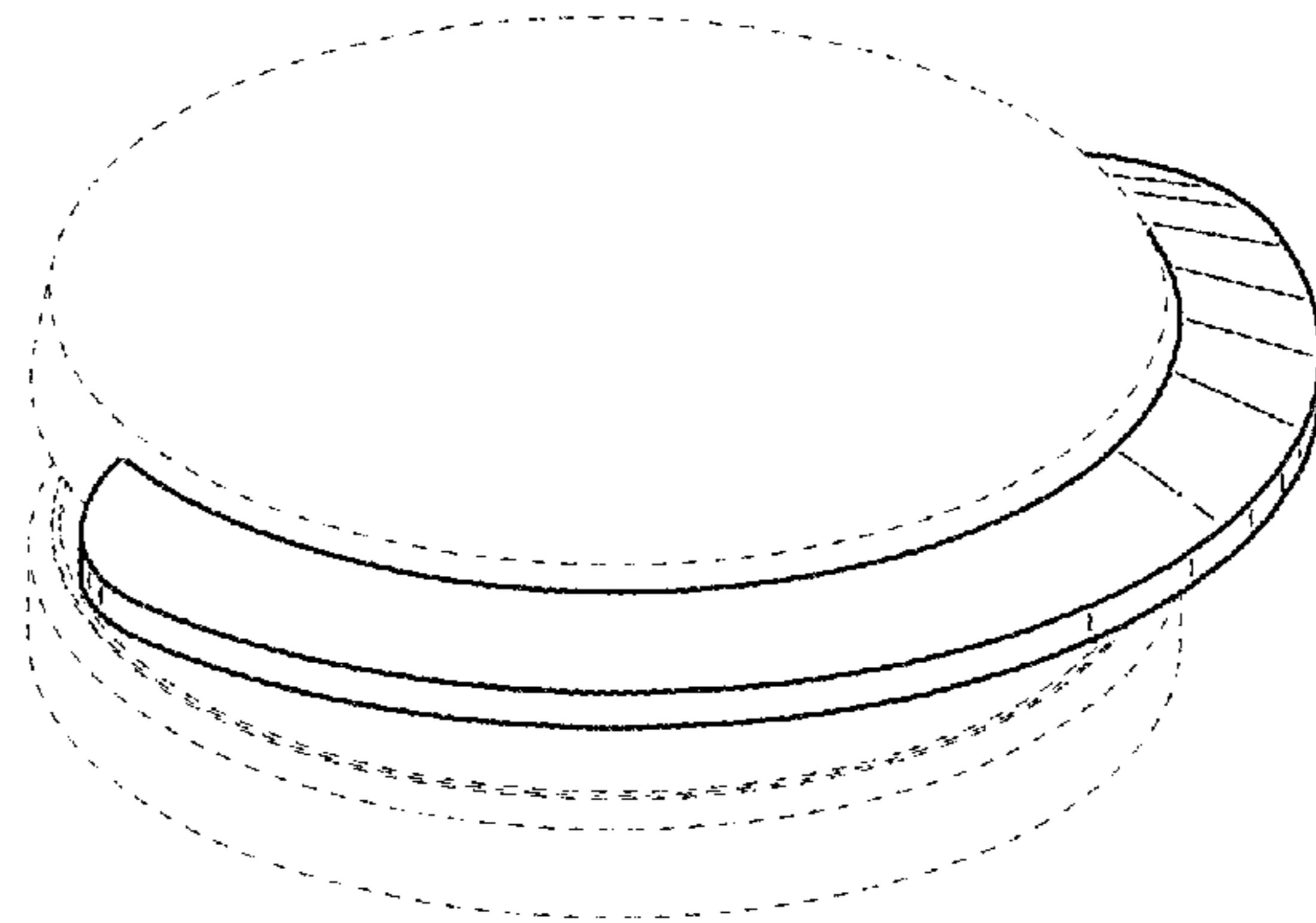
The ornamental design for a cap for a container, substantially as shown and described.

**DESCRIPTION**

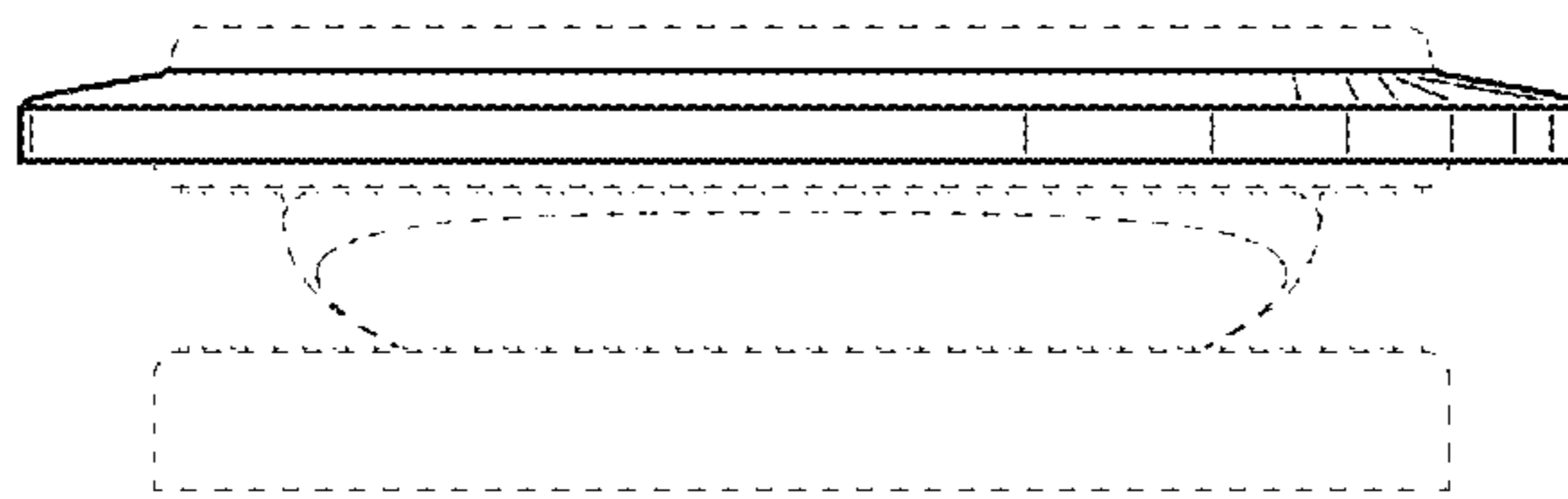
FIG. 1 is a perspective view of a cap for a container showing our new design;  
FIG. 2 is a front elevational view thereof;  
FIG. 3 is a rear elevational view thereof;  
FIG. 4 is a left side elevational view thereof and the right side elevational view being a mirror image thereof;  
FIG. 5 is a top plan view thereof;  
FIG. 6 is a bottom plan elevational view thereof; and,  
FIG. 7 is a perspective view of the cap for a container in use.  
In the drawings, the broken lines showing portions of a cap and container depict environment and form no part of the claim.

**1 Claim, 3 Drawing Sheets**

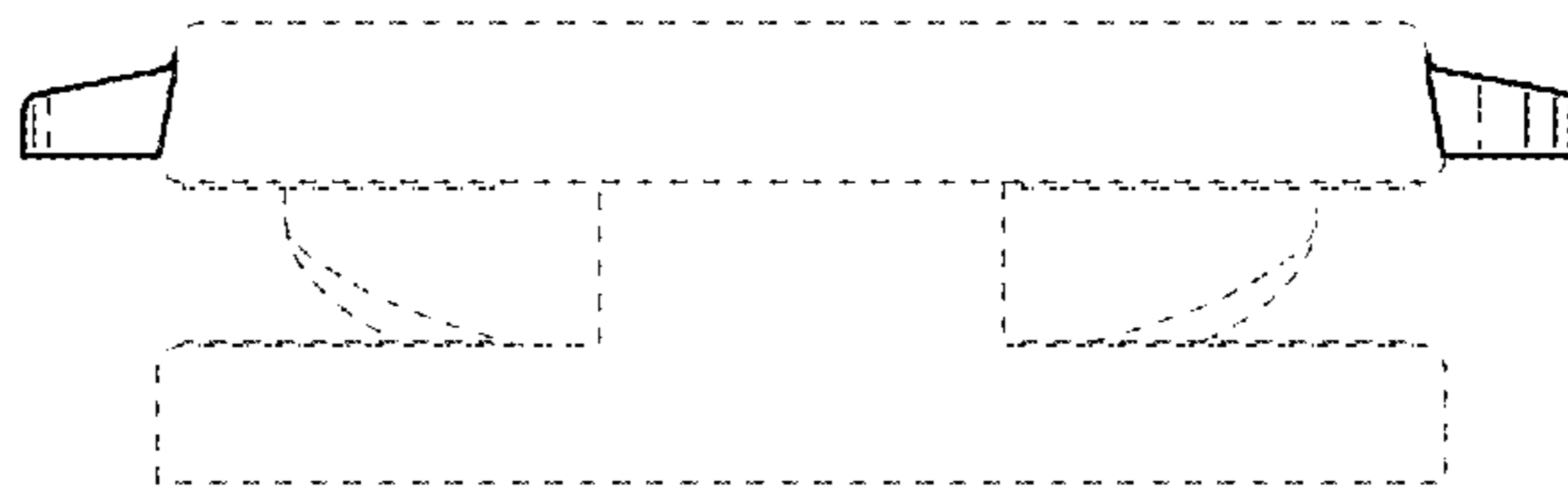




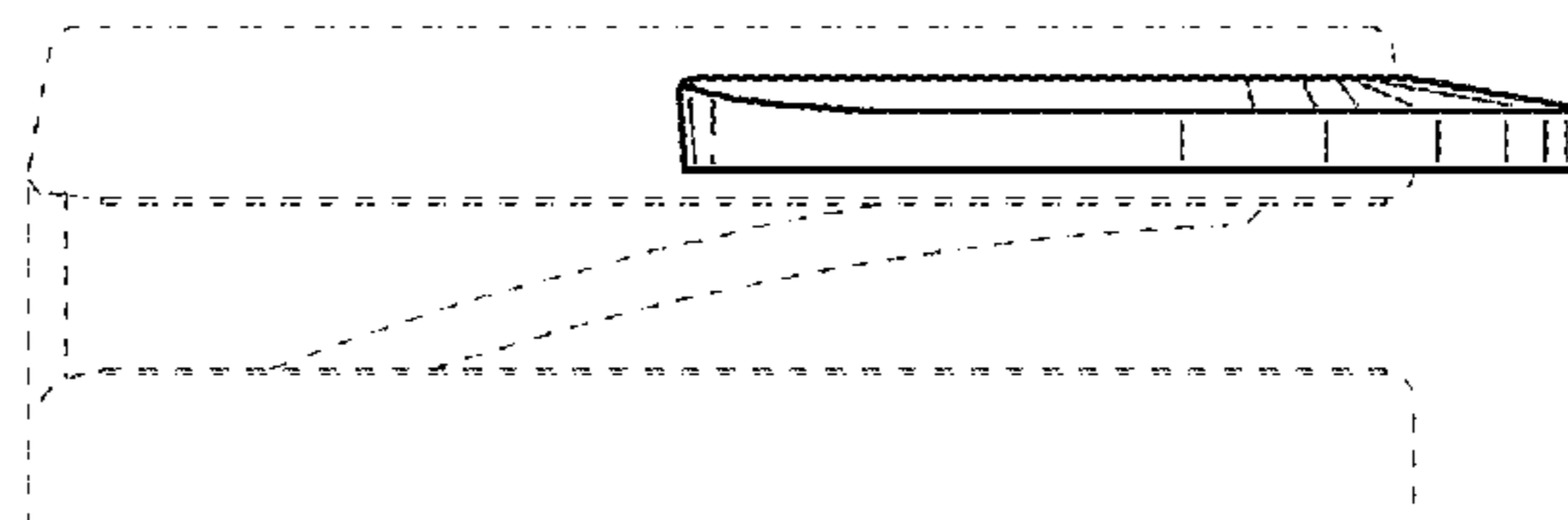
*Fig. 1*



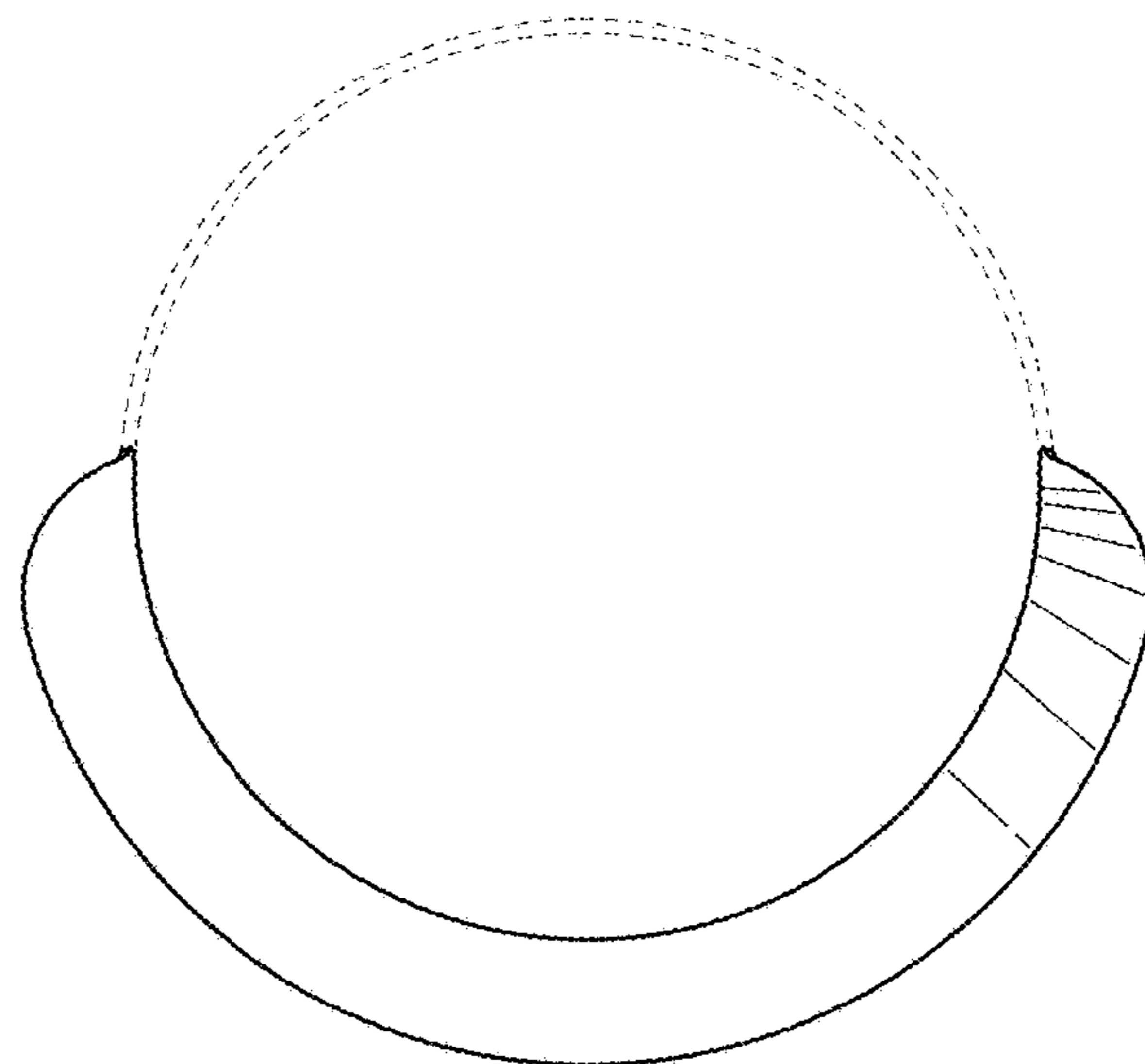
*Fig. 2*



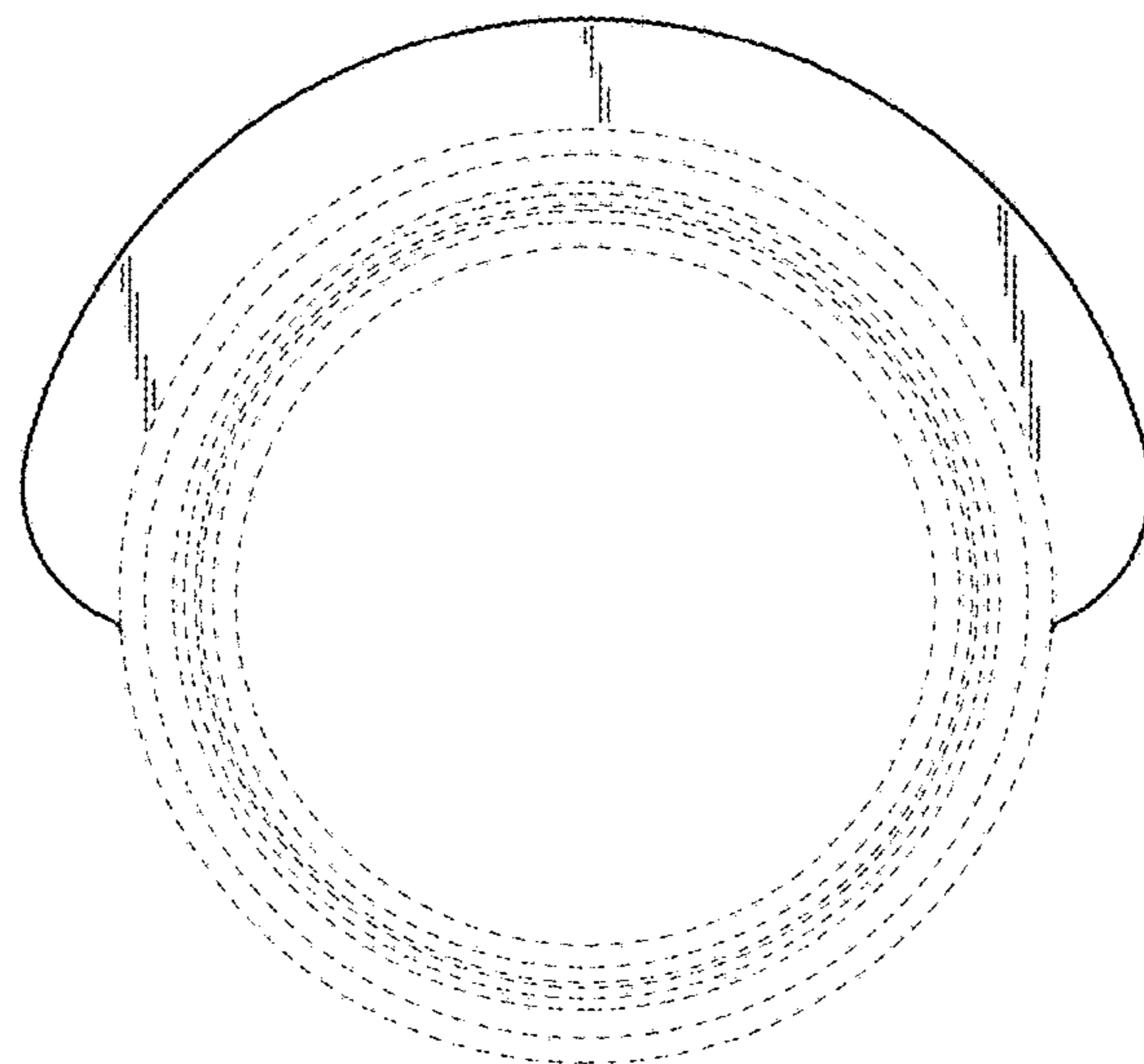
*Fig. 3*



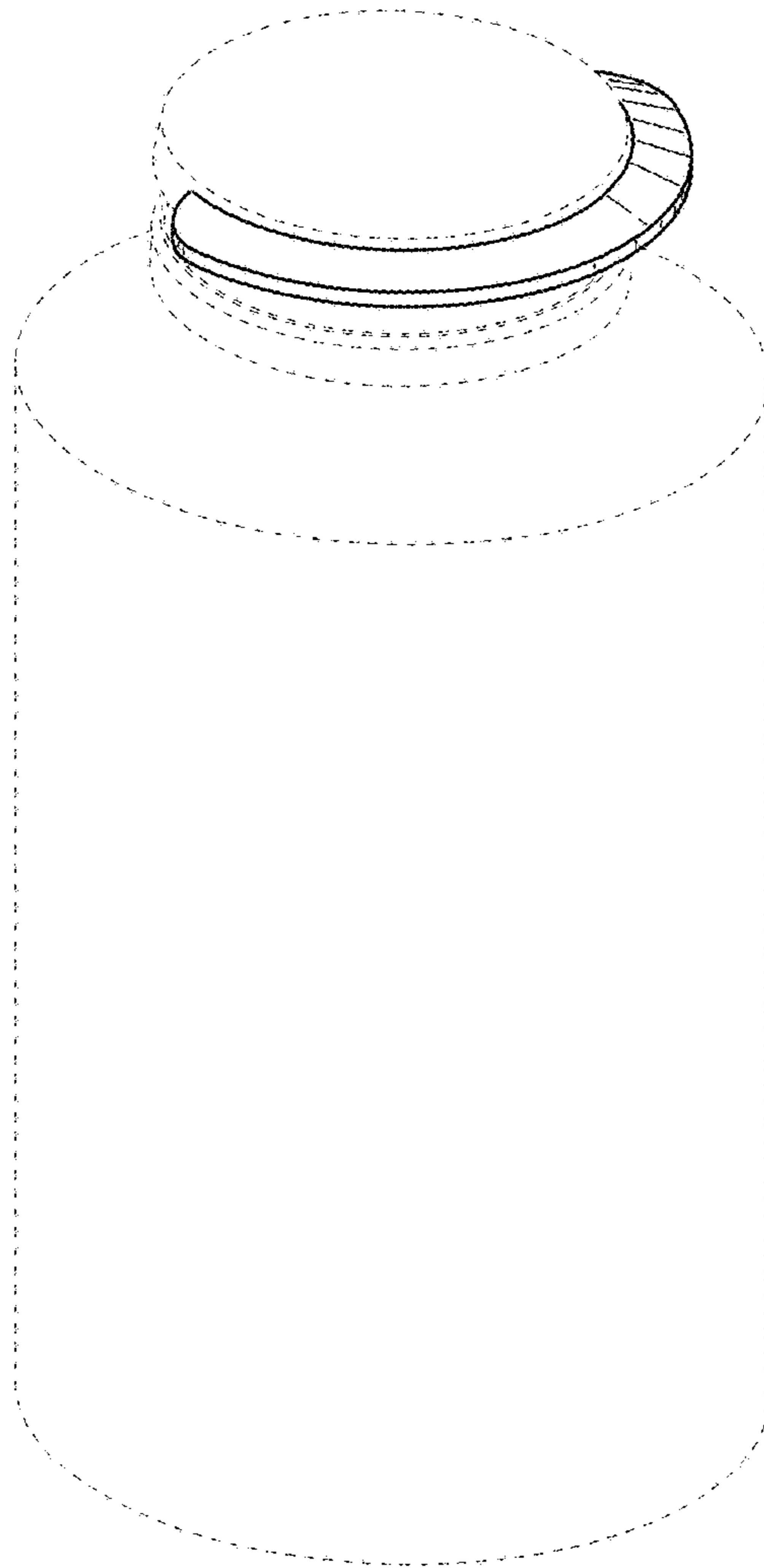
*Fig. 4*



*Fig. 5*



*Fig. 6*



*Fig. 7*