



US00D838162S

(12) **United States Design Patent**
Chen

(10) **Patent No.:** **US D838,162 S**

(45) **Date of Patent:** **** Jan. 15, 2019**

- (54) **ELASTIC CABLE HOLDER**
- (71) Applicant: **Kevin F. Chen**, Irvine, CA (US)
- (72) Inventor: **Kevin F. Chen**, Irvine, CA (US)
- (73) Assignee: **Rubbo International, Inc.**, Santa Ana, CA (US)
- (**) Term: **15 Years**
- (21) Appl. No.: **29/587,501**
- (22) Filed: **Dec. 13, 2016**
- (51) **LOC (11) Cl.** **09-06**
- (52) **U.S. Cl.**
USPC **D8/367**
- (58) **Field of Classification Search**
USPC D8/356, 354; 381/384
CPC E02D 5/803; B63B 21/045; B63B 59/02;
B60D 1/18; B60P 7/0823; A44B 13/0029;
Y10T 24/3918
See application file for complete search history.

- D641,708 S * 7/2011 Yamauchi D13/154
- 8,763,213 B2 * 7/2014 Burdett B60P 7/0823
24/300
- D710,679 S * 8/2014 Miller D8/356
- D791,582 S * 7/2017 Nelson D8/356
- D811,859 S * 3/2018 Orser D8/356

* cited by examiner

Primary Examiner — Cynthia R Underwood
(74) *Attorney, Agent, or Firm* — Quickpatents, LLC;
Kevin Prince

(57) **CLAIM**

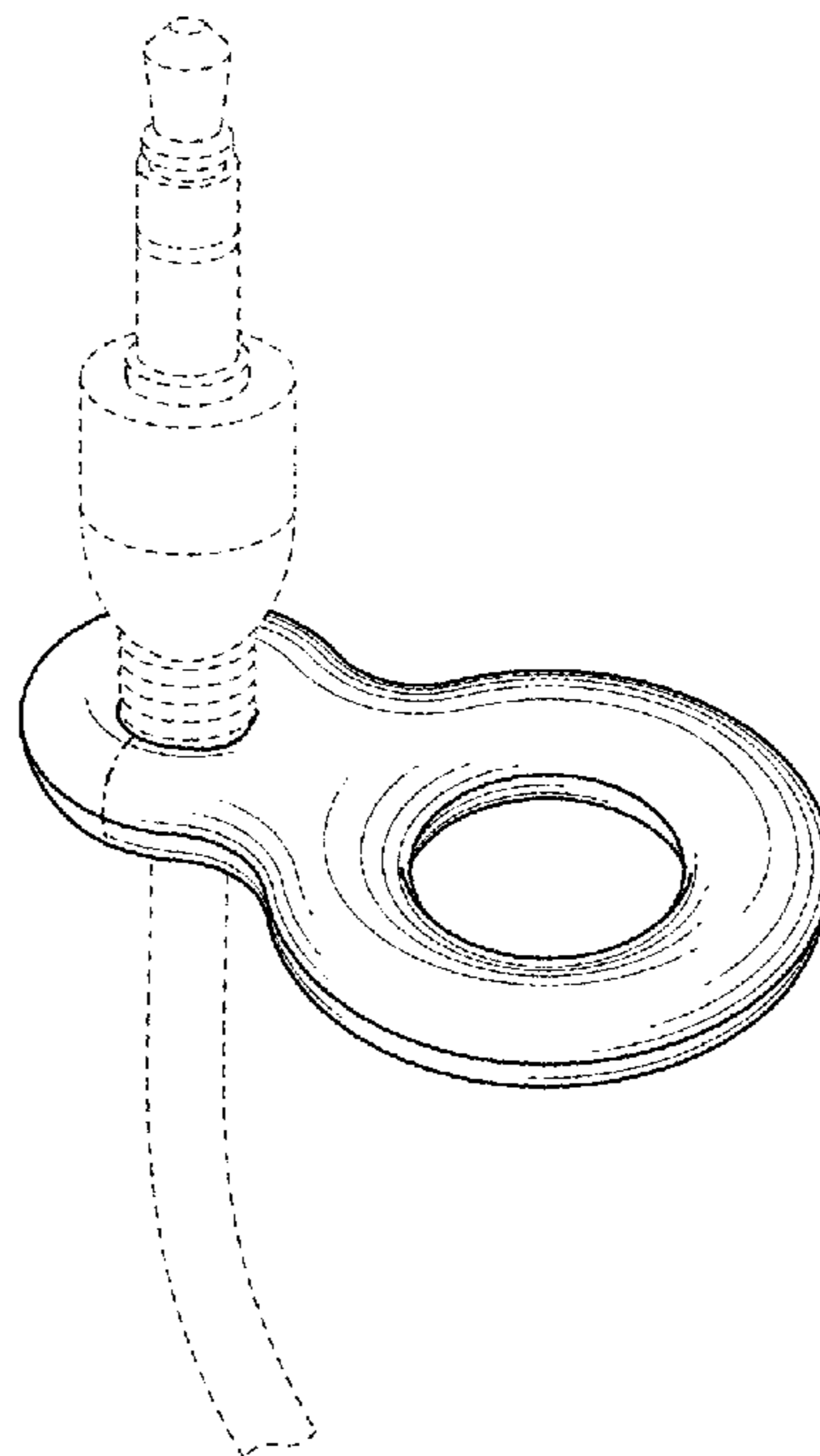
I claim the ornamental design for an elastic cable holder, as shown and described.

DESCRIPTION

FIG. 1 is a perspective view of an elastic cable holder, showing a first embodiment of my new design in a bent position;
FIG. 2 is a perspective view thereof, illustrated in a flat position;
FIG. 3 is a front elevational view of FIG. 2, the rear elevational view being a mirror image thereof;
FIG. 4 is a left-side elevational view of FIG. 2, the right-side elevational view being a mirror image thereof;
FIG. 5 is a top plan view of FIG. 2; and,
FIG. 6 is a bottom plan view of FIG. 2.
The broken lines showing cords in FIGS. 1 and 2 depict environmental subject matter and form no part of the claimed design.

1 Claim, 2 Drawing Sheets

- (56) **References Cited**
U.S. PATENT DOCUMENTS
1,945,932 A * 2/1934 Caley A45D 2/18
132/247
4,227,668 A * 10/1980 Ernst A22C 15/002
24/16 PB
D325,802 S * 4/1992 Peterson D34/35
6,487,760 B1 * 12/2002 Larsen A47G 25/1478
24/598.4
7,404,238 B2 * 7/2008 McNeill B65D 63/1027
24/16 PB



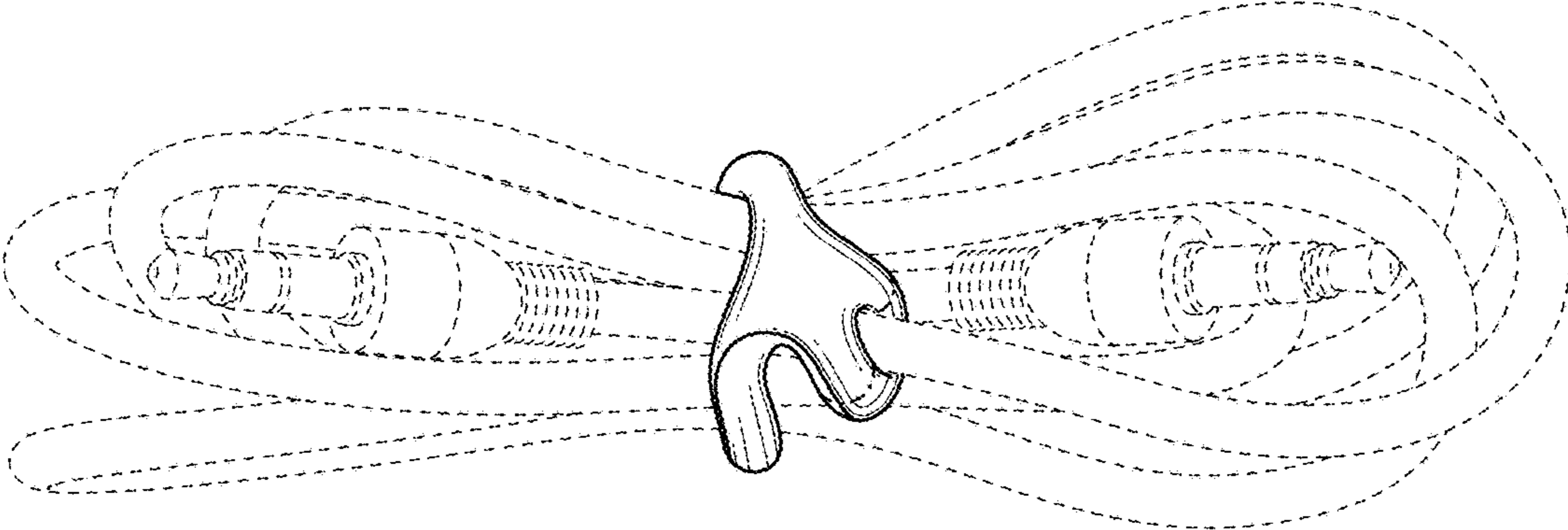


FIG. 1

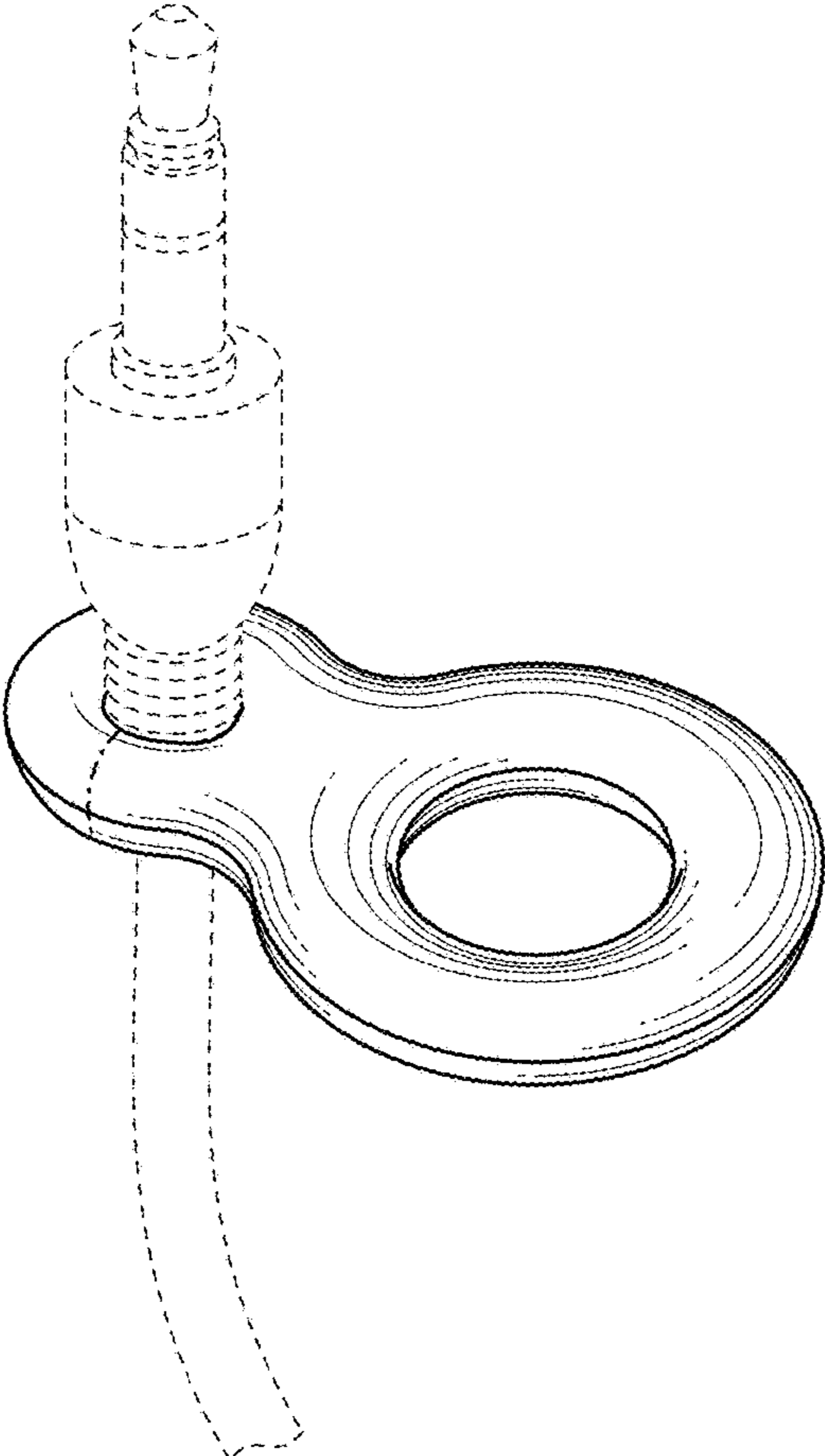


FIG. 2

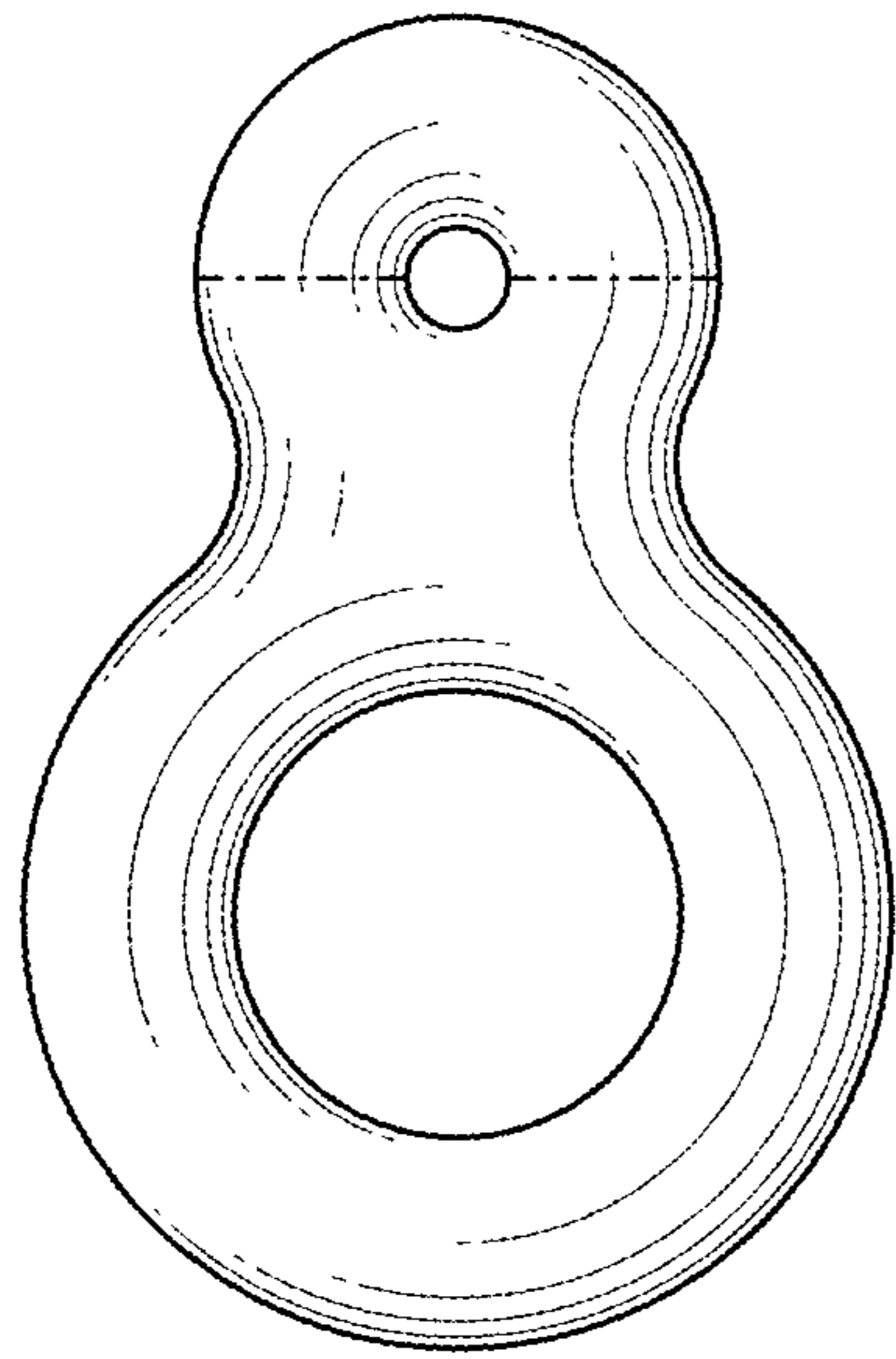


FIG. 3

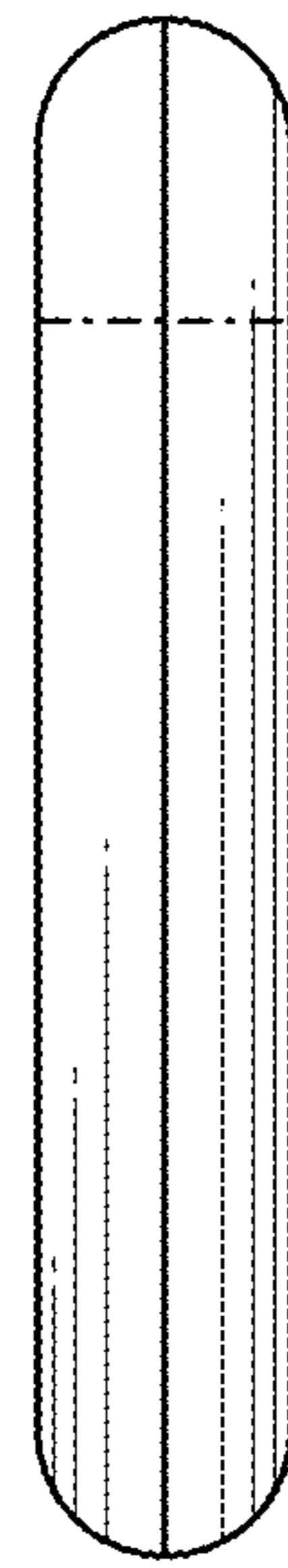


FIG. 4

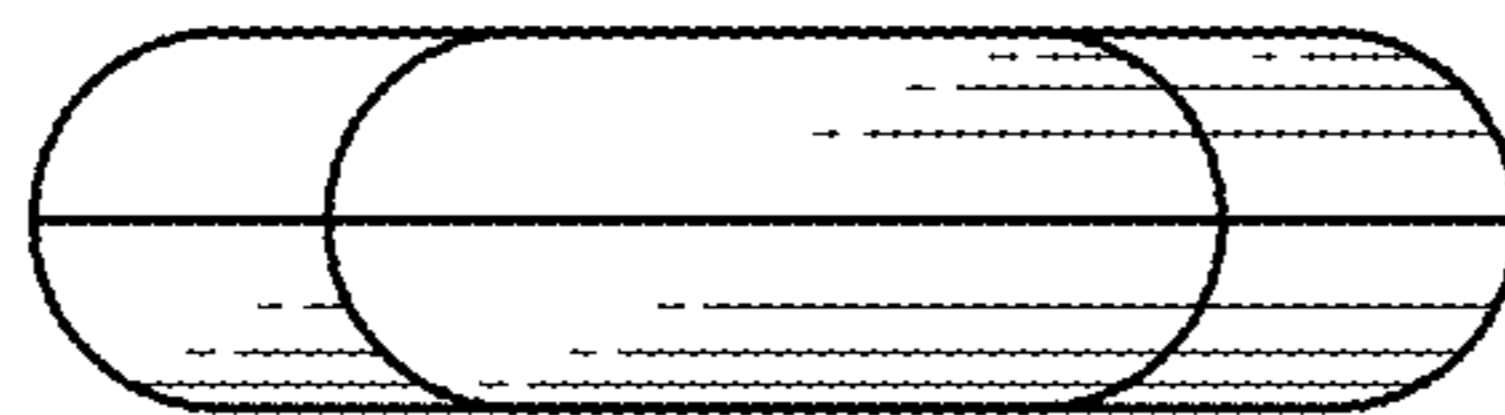


FIG. 5

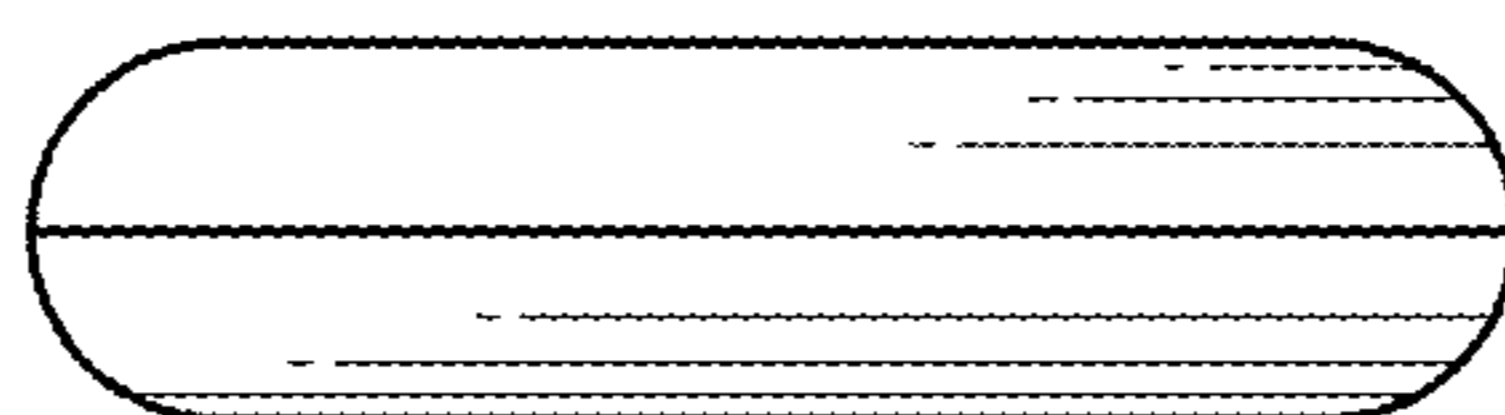


FIG. 6