



US00D838161S

(12) **United States Design Patent** (10) **Patent No.:** **US D838,161 S**
Conklin et al. (45) **Date of Patent:** **** Jan. 15, 2019**

(54) **WALL MOUNT**

(71) Applicants: **Rick Conklin**, Bellefonte, PA (US);
Scott Thompson, State College, PA (US)

(72) Inventors: **Rick Conklin**, Bellefonte, PA (US);
Scott Thompson, State College, PA (US)

(**) Term: **15 Years**

(21) Appl. No.: **29/590,679**

(22) Filed: **Jan. 12, 2017**

(51) **LOC (11) Cl.** **08-05**

(52) **U.S. Cl.**
USPC **D8/354**

(58) **Field of Classification Search**
USPC D8/16, 19, 350, 353, 354, 364, 366, 499,
D8/380, 381, 371, 373, 349; D6/553,
D6/566, 572; D14/254, 447
CPC A47B 2220/0036; E04B 1/26; E04B
2001/2415; E04B 2001/2644; E04B
2001/405; H02G 3/32
See application file for complete search history.

(56) **References Cited**

U.S. PATENT DOCUMENTS

5,263,676	A *	11/1993	Medlin, Jr.	H02G 3/126 220/3.6
D367,418	S *	2/1996	Lathrop	D12/223
D418,393	S *	1/2000	Proctor	D8/354
D553,352	S *	10/2007	Allen	D3/218
7,439,443	B2 *	10/2008	Dinh	H02G 3/126 174/481
7,902,457	B2 *	3/2011	Johnson	H02G 3/126 174/57
8,235,349	B1 *	8/2012	Conklin	F16M 13/027 109/50
8,403,289	B1 *	3/2013	Rinderer	H02G 3/126 174/480
D705,229	S *	5/2014	Wengreen	D14/238.1

(Continued)

OTHER PUBLICATIONS

Right Angle AP wall mount by Oberon, Installation instructions dated Jul. 20, 2016, retrieved on Feb. 22, 2018, retrieved from the Internet URL: http://oberoninc.com/product-series/wall-hard-ceiling-surface-mount-series-menu/right-angle-brackets/340-1006-series.*

Primary Examiner — Jennifer Rivard

Assistant Examiner — Alison Ofstun

(74) *Attorney, Agent, or Firm* — John J. Elnitski, Jr.

(57) **CLAIM**

The ornamental design for a wall mount, as shown and described.

DESCRIPTION

FIG. 1 is an exploded perspective view of a wall mount with a first component and second component, showing our new design;

FIG. 2 is a right side elevation view of the first component of the wall mount, shown separately for clarity of disclosure;

FIG. 3 is a left side view thereof;

FIG. 4 is a front elevation view thereof;

FIG. 5 is a rear elevation view thereof;

FIG. 6 is a top plan view thereof;

FIG. 7 is a bottom plan view thereof;

FIG. 8 is a right side elevation view of a second component of the wall mount, shown separately for clarity of disclosure;

FIG. 9 is a left side elevation view thereof;

FIG. 10 is a front elevation view thereof;

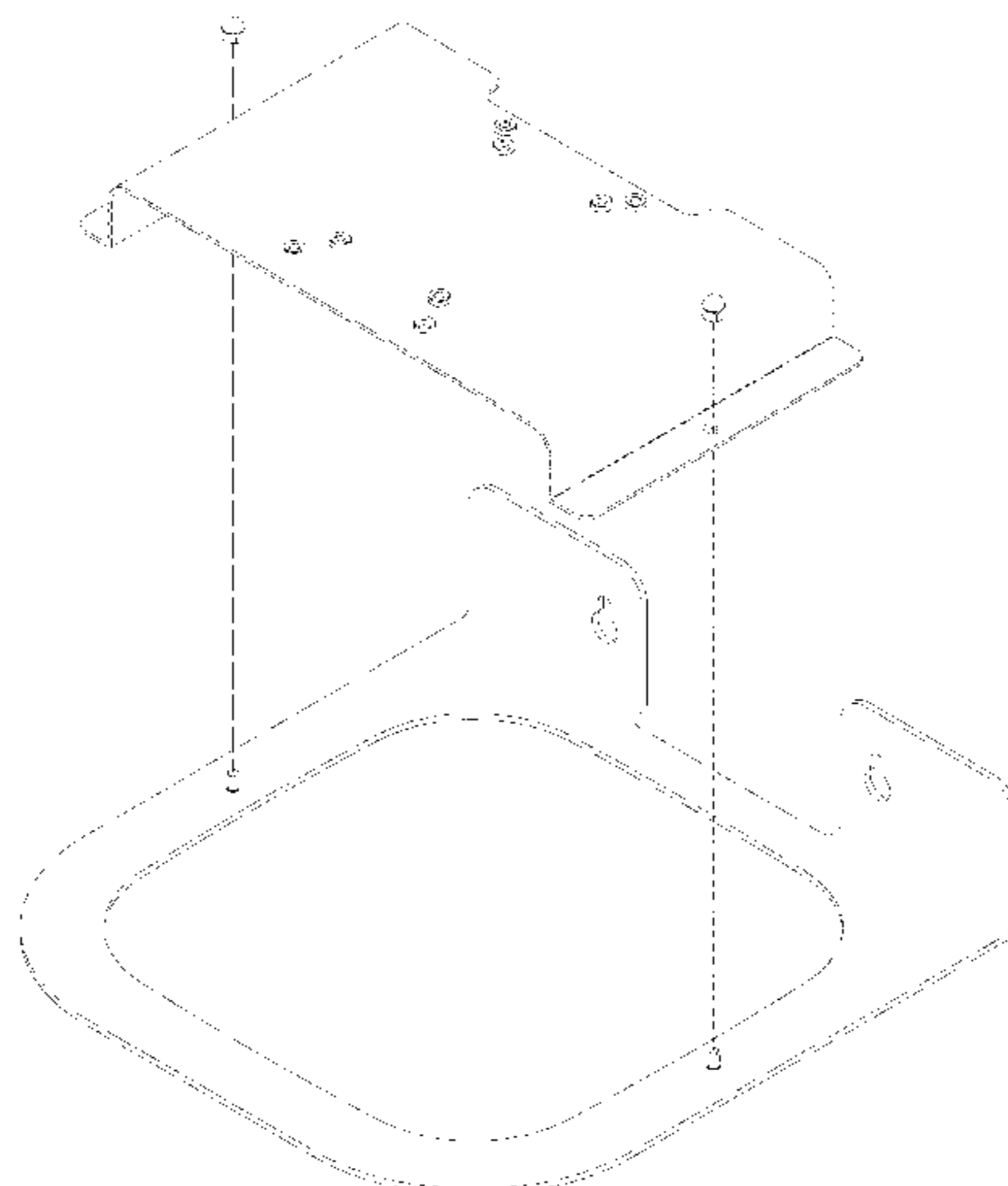
FIG. 11 is a rear elevation view thereof;

FIG. 12 is a top plan view thereof; and,

FIG. 13 is a bottom plan view thereof.

The broken lines in the drawings are included for the purpose of illustrating projection lines and form no part of the claimed design.

1 Claim, 13 Drawing Sheets



(56)

References Cited

U.S. PATENT DOCUMENTS

D733,691 S * 7/2015 Wengreen D14/239
D761,236 S * 7/2016 Wengreen D14/238.1
2017/0298611 A1* 10/2017 Callahan E04B 1/003
2018/0030717 A1* 2/2018 Yang E04B 1/2403

* cited by examiner

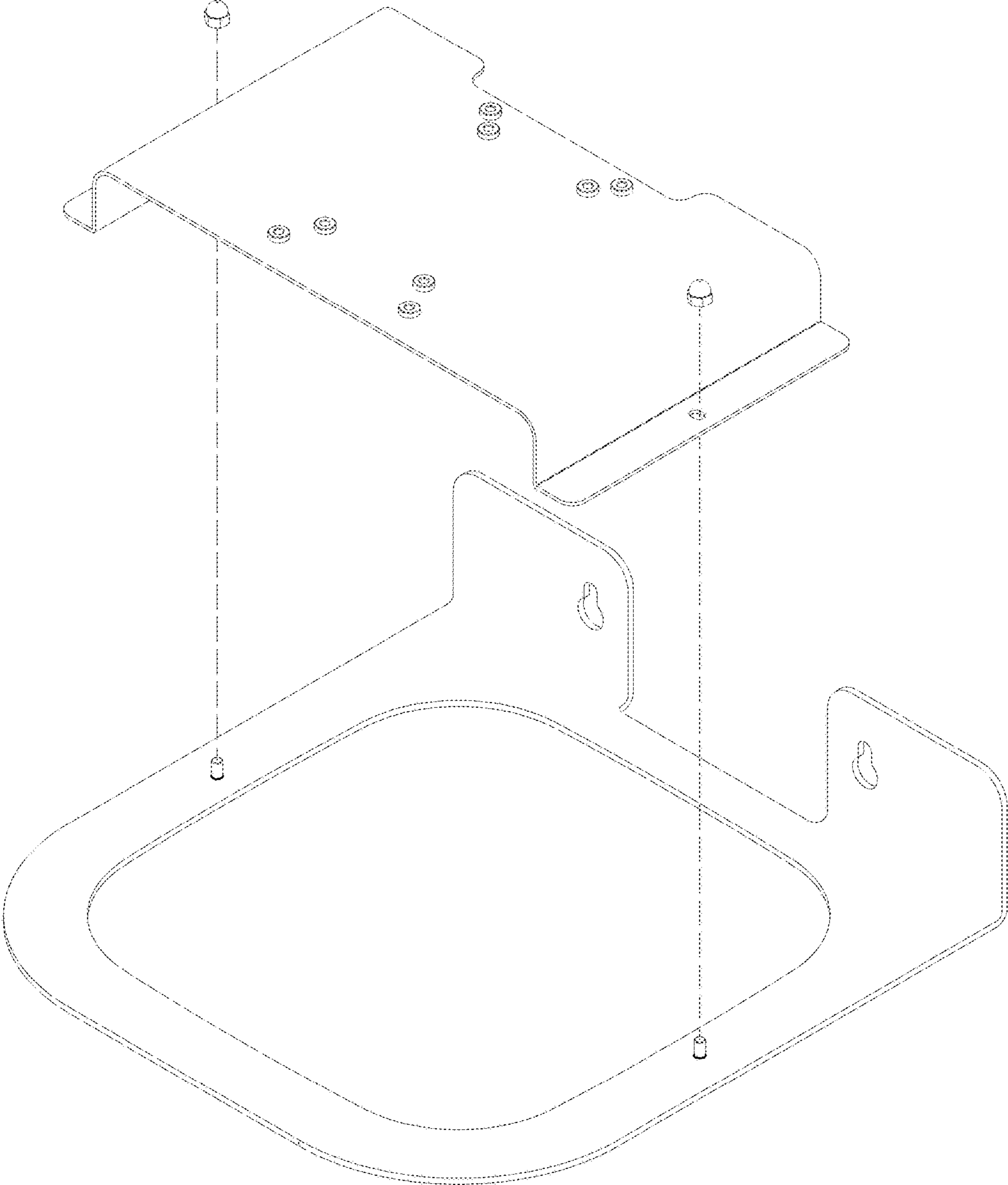


Fig. 1

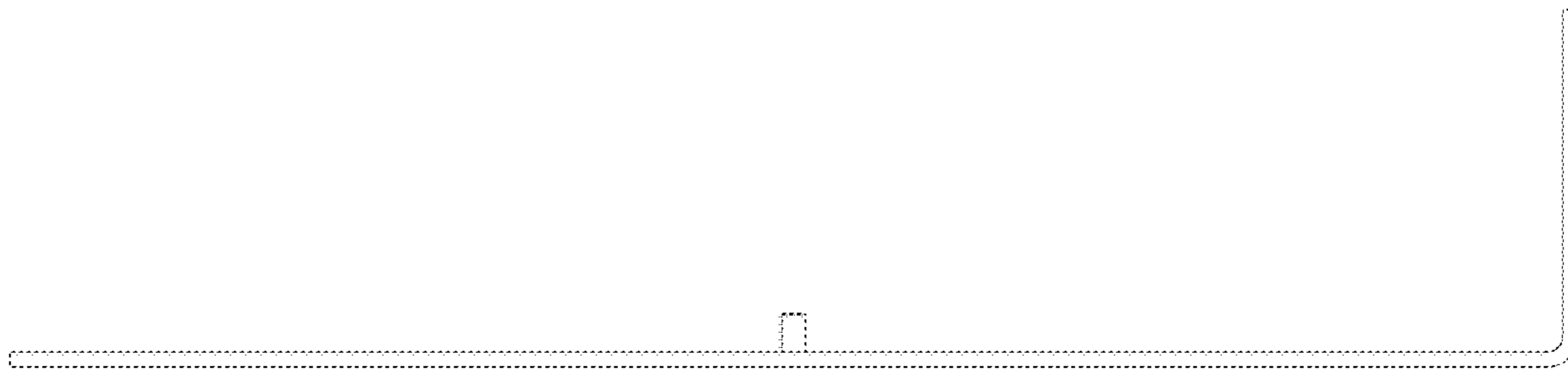


Fig. 2

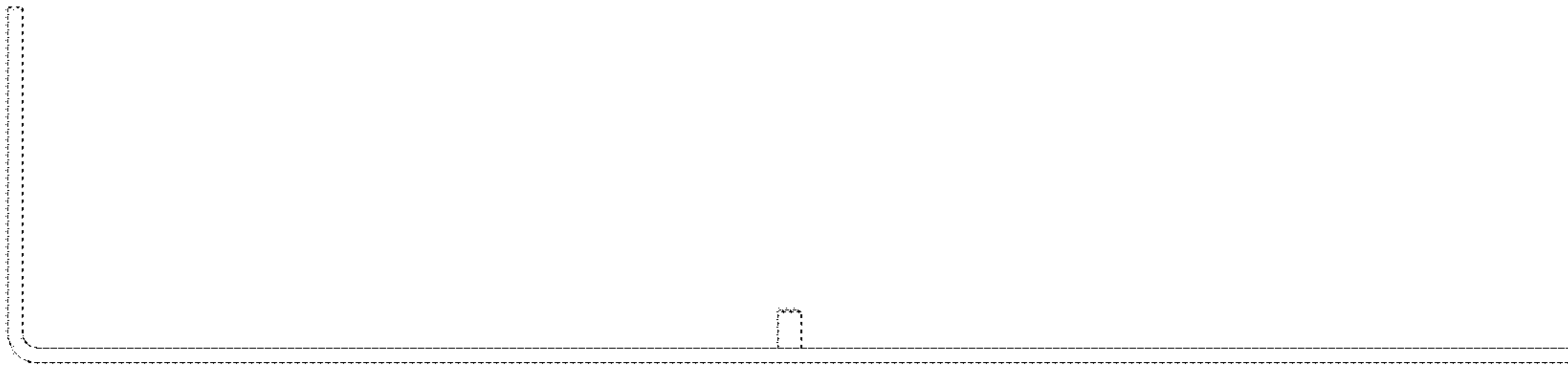


Fig. 3



Fig. 4



Fig. 5

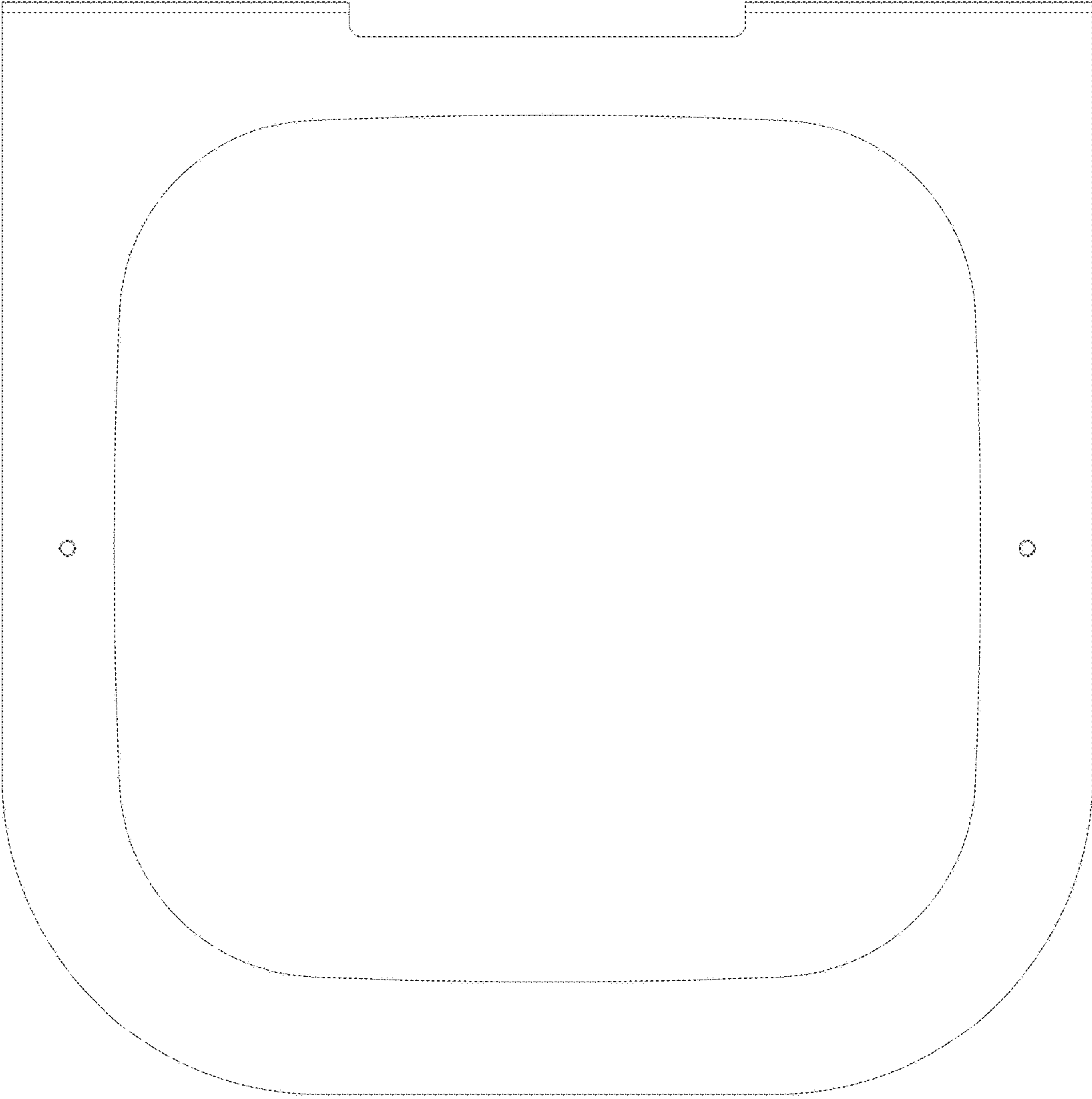


Fig. 6

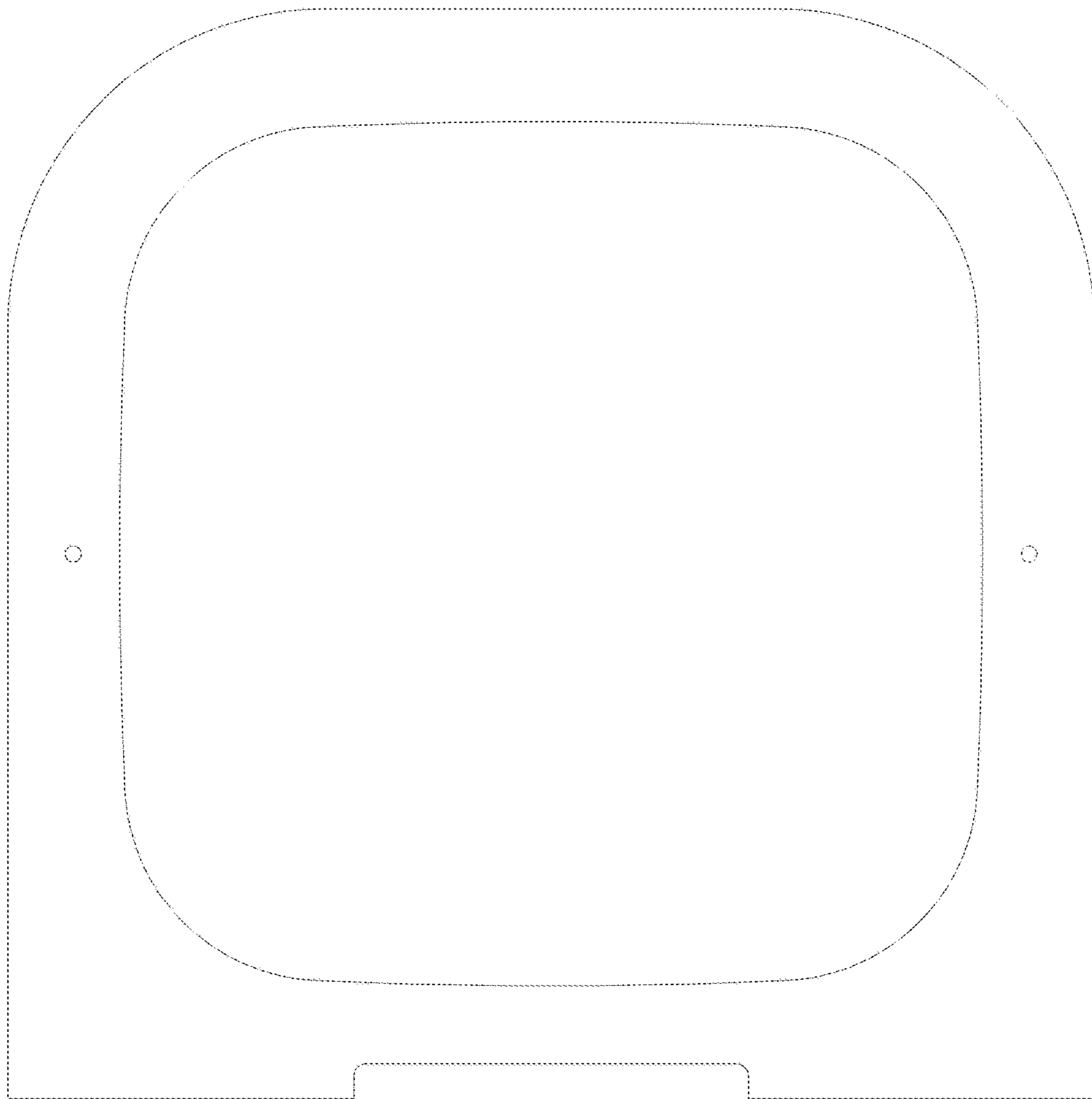


Fig. 7

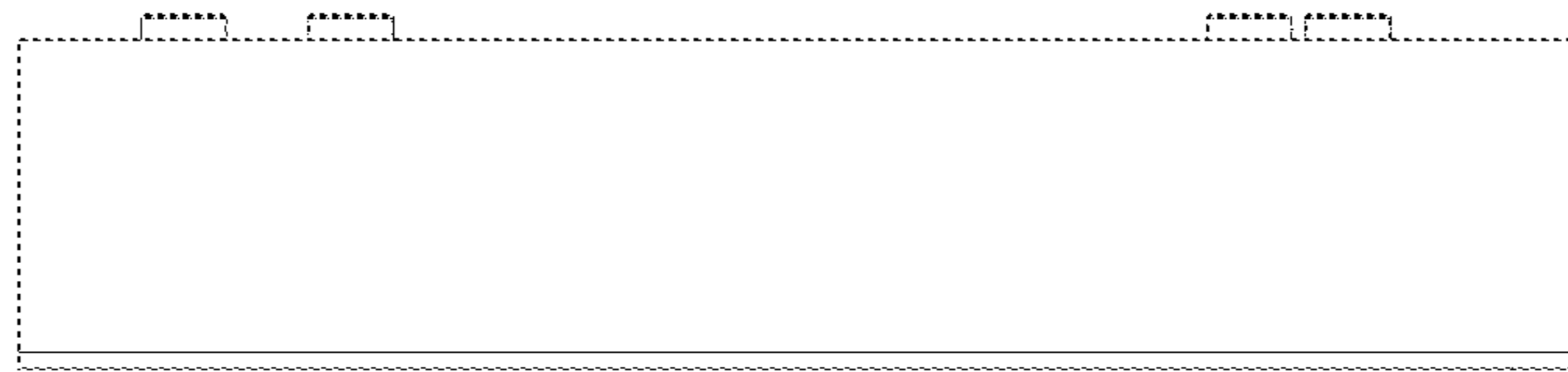


Fig. 8

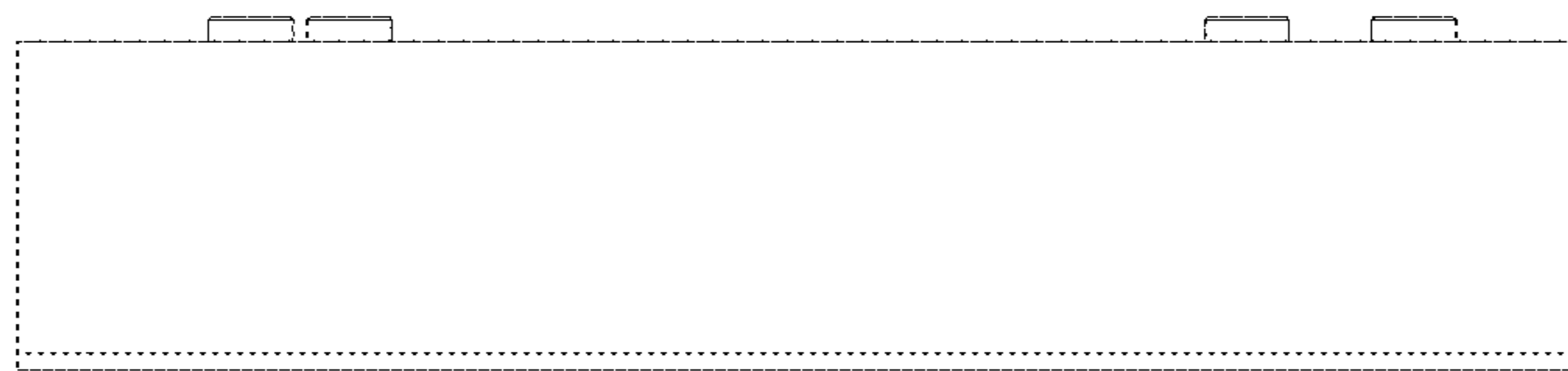


Fig. 9

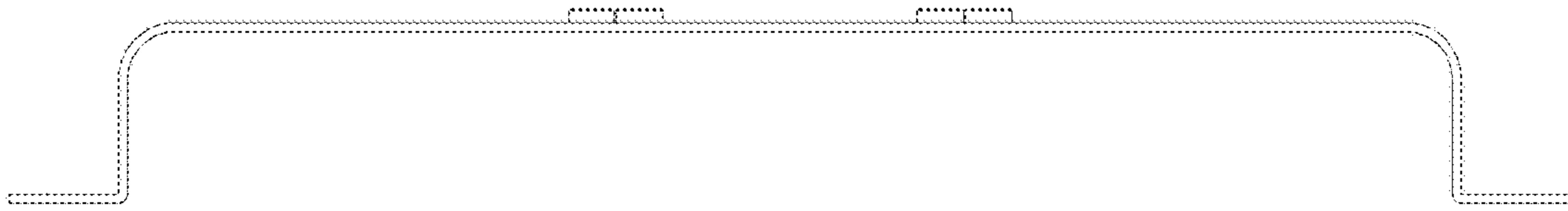


Fig. 10

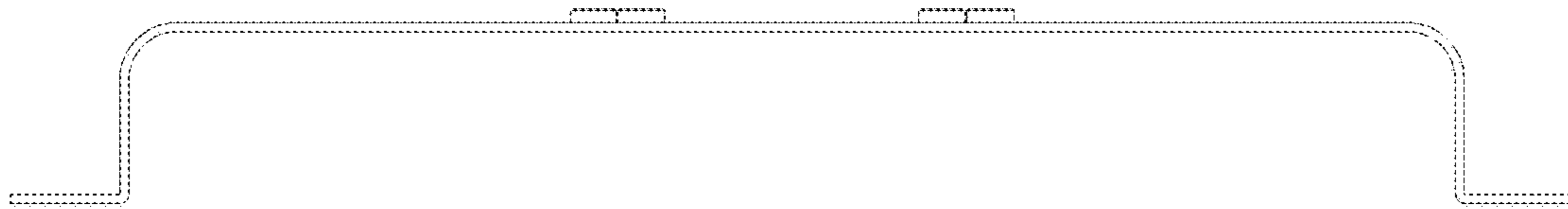


Fig. 11

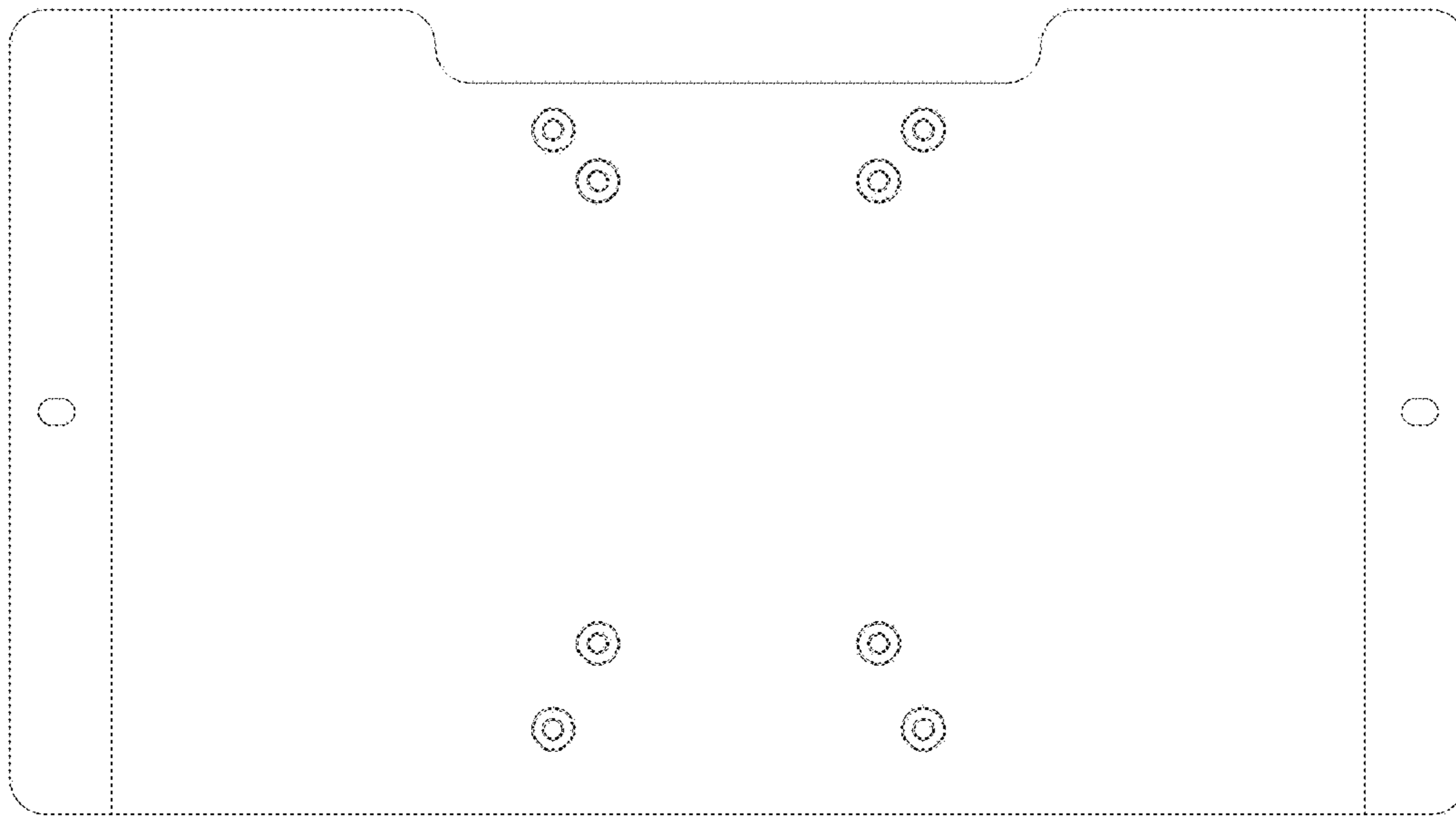


Fig. 12

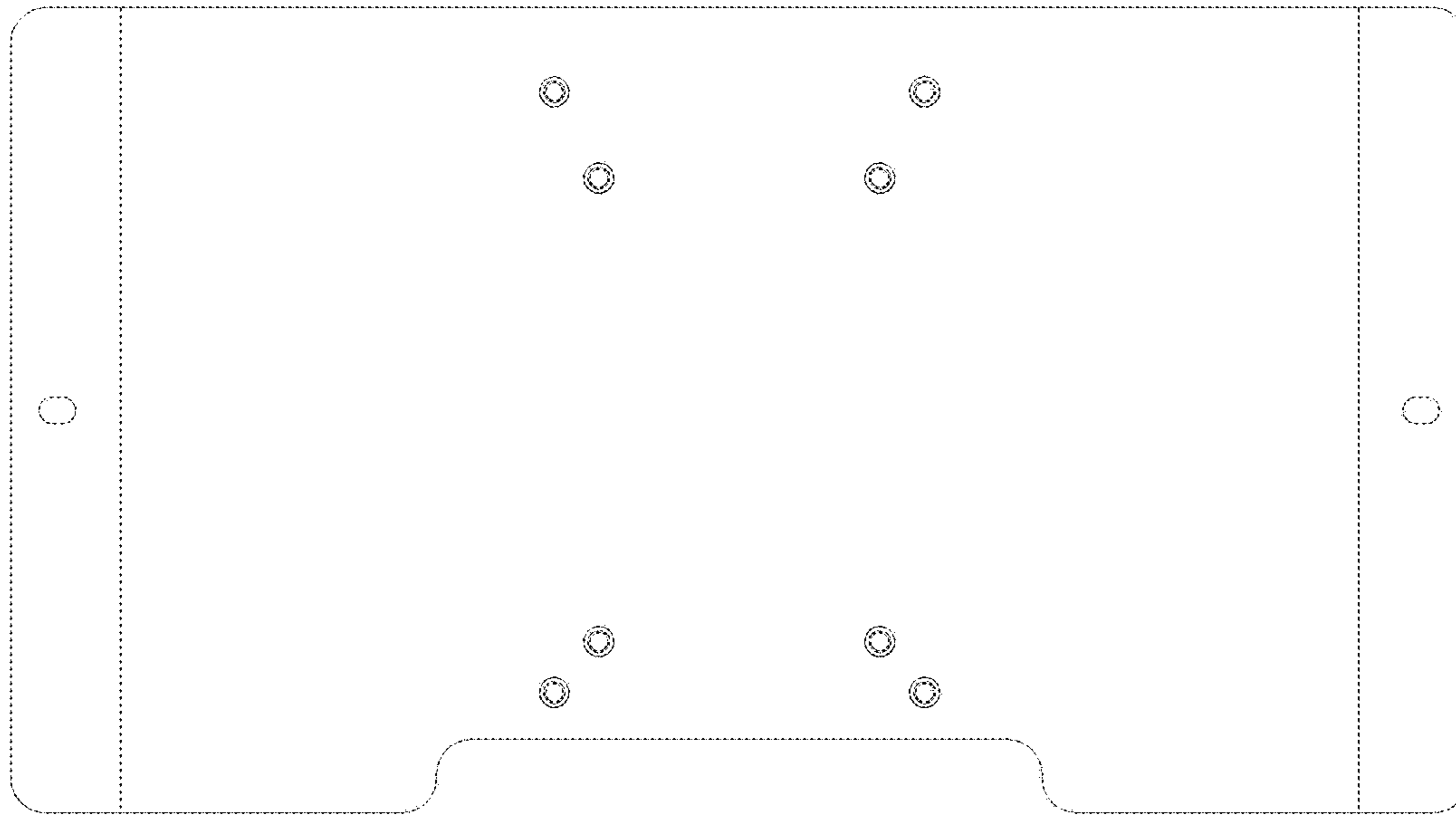


Fig. 13