



US00D838160S

(12) **United States Design Patent**
Turner

(10) **Patent No.:** **US D838,160 S**

(45) **Date of Patent:** **** Jan. 15, 2019**

(54) **SHACKLE GUARD WITH TETHER**

1/1533; G02F 2001/13317; H04M 1/185;
H04M 1/0252; H04B 1/3888

See application file for complete search history.

(71) Applicant: **Daystar Products International, Inc.**,
Phoenix, AZ (US)

(56) **References Cited**

U.S. PATENT DOCUMENTS

(72) Inventor: **Mark Alan Turner**, Phoenix, AZ (US)

3,902,339 A * 9/1975 Carley E05B 67/38
70/54

(73) Assignee: **Daystar Products International, Inc.**,
Phoenix, AZ (US)

6,192,721 B1 * 2/2001 Monteleone E05B 17/002
70/55

(**) Term: **15 Years**

6,536,246 B2 * 3/2003 Wilson B62H 5/003
70/233

D766,068 S * 9/2016 Marsden D8/331

(21) Appl. No.: **29/624,187**

OTHER PUBLICATIONS

(22) Filed: **Oct. 30, 2017**

Daystar product brochure and photos from brochure showing D Ring Isolators, 2009, 4 pages.

(51) **LOC (11) Cl.** **08-05**

* cited by examiner

(52) **U.S. Cl.**

Primary Examiner — Randall H Gholson

USPC **D8/343**

(74) *Attorney, Agent, or Firm* — Lowe Graham Jones
PLLC

(58) **Field of Classification Search**

(57) **CLAIM**

USPC D8/367, 356, 371, 373, 354, 355, 349,
D8/343, 346, 339; D6/323; D3/24;
248/215, 301, 339, 349.1; 160/349.2;
24/265 H, 265 R, 599.1, 599.8, 113 R,
24/573.5, 115 R; 294/82.18, 82.35;
29/525.1, 45.3; 223/106; D14/432, 140,
D14/217; 59/35.1, 86; 403/24; 114/249;
70/158, 163, 164, DIG. 43, 56

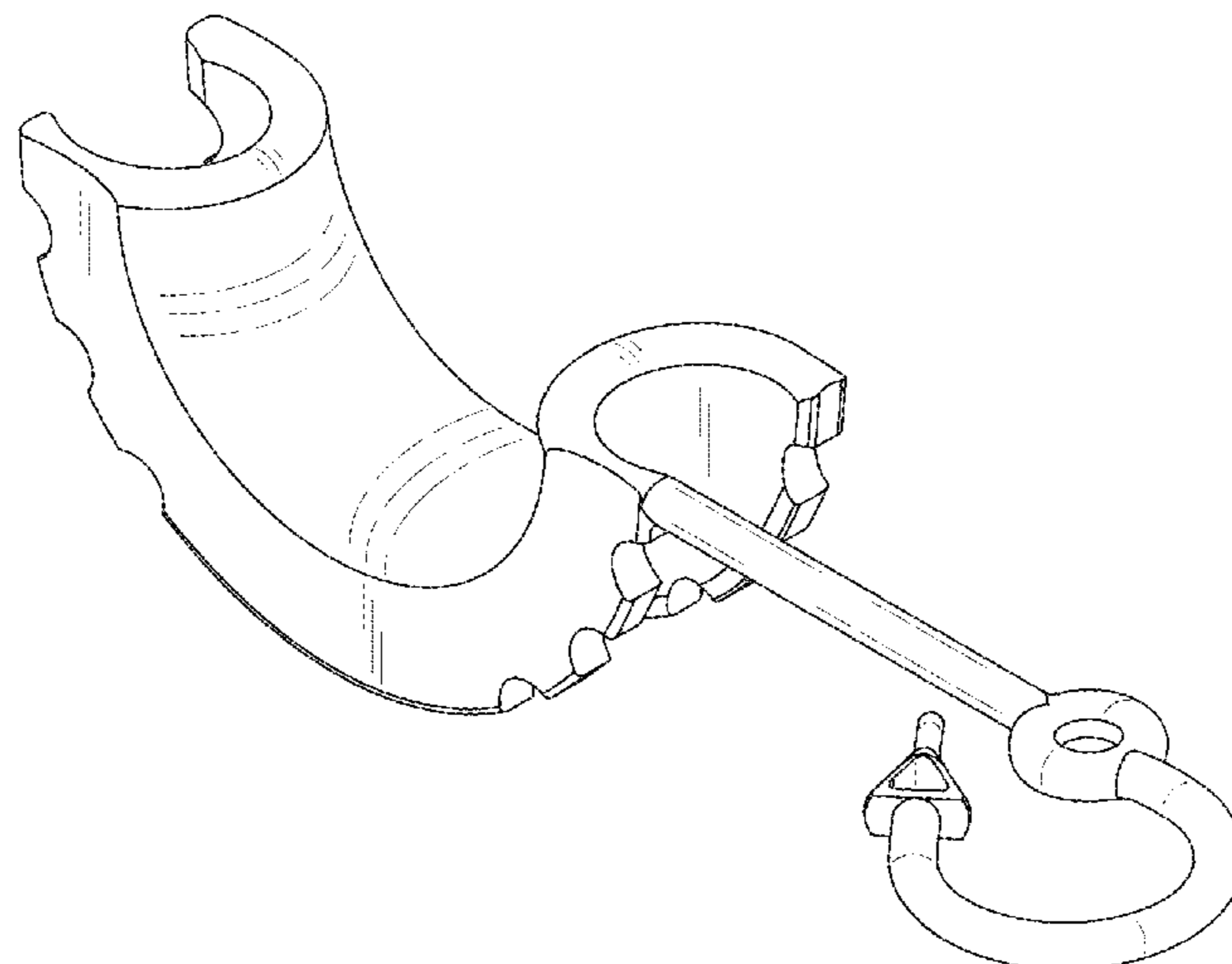
I claim the ornamental design for a shackle guard with
tether, as shown and described.

DESCRIPTION

CPC G06F 1/1626; G06F 1/1633; G06F 1/1675;
G06F 1/1679; G02F 1/1306; G02F 1/133;
G02F 1/133308; G02F 1/153; G02F

FIG. 1 is a front right perspective view of a shackle guard
with tether, showing my new design.
FIG. 2 is a front left perspective view of the shackle guard
with tether.
FIG. 3 is a left view of the shackle guard with tether.
FIG. 4 is a right view of the shackle guard with tether.
FIG. 5 is a front view of the shackle guard with tether.
FIG. 6 is a rear view of the shackle guard with tether.
FIG. 7 is top view of the shackle guard with tether; and,
FIG. 8 is bottom view of the shackle guard with tether.

1 Claim, 7 Drawing Sheets



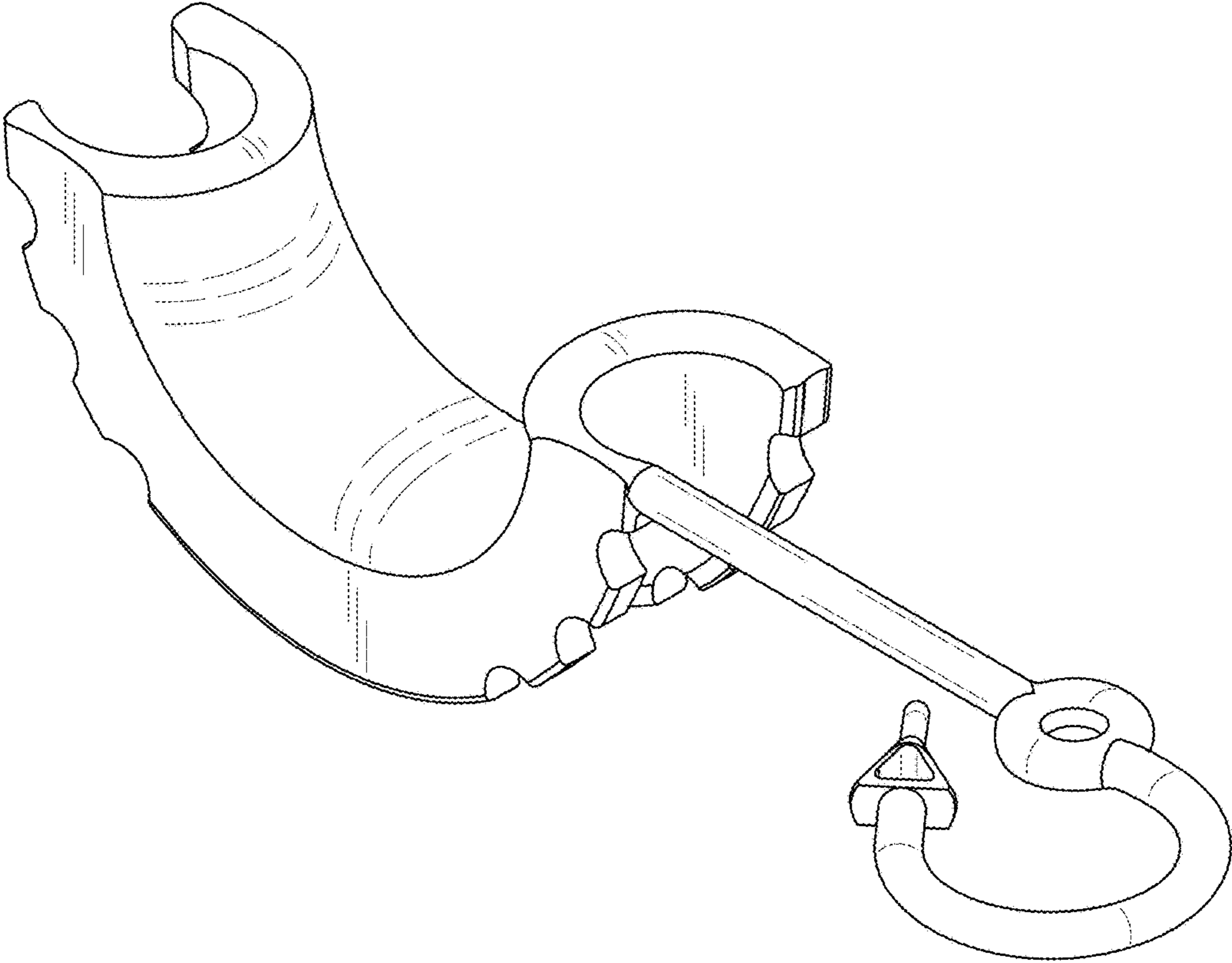


FIG. 1

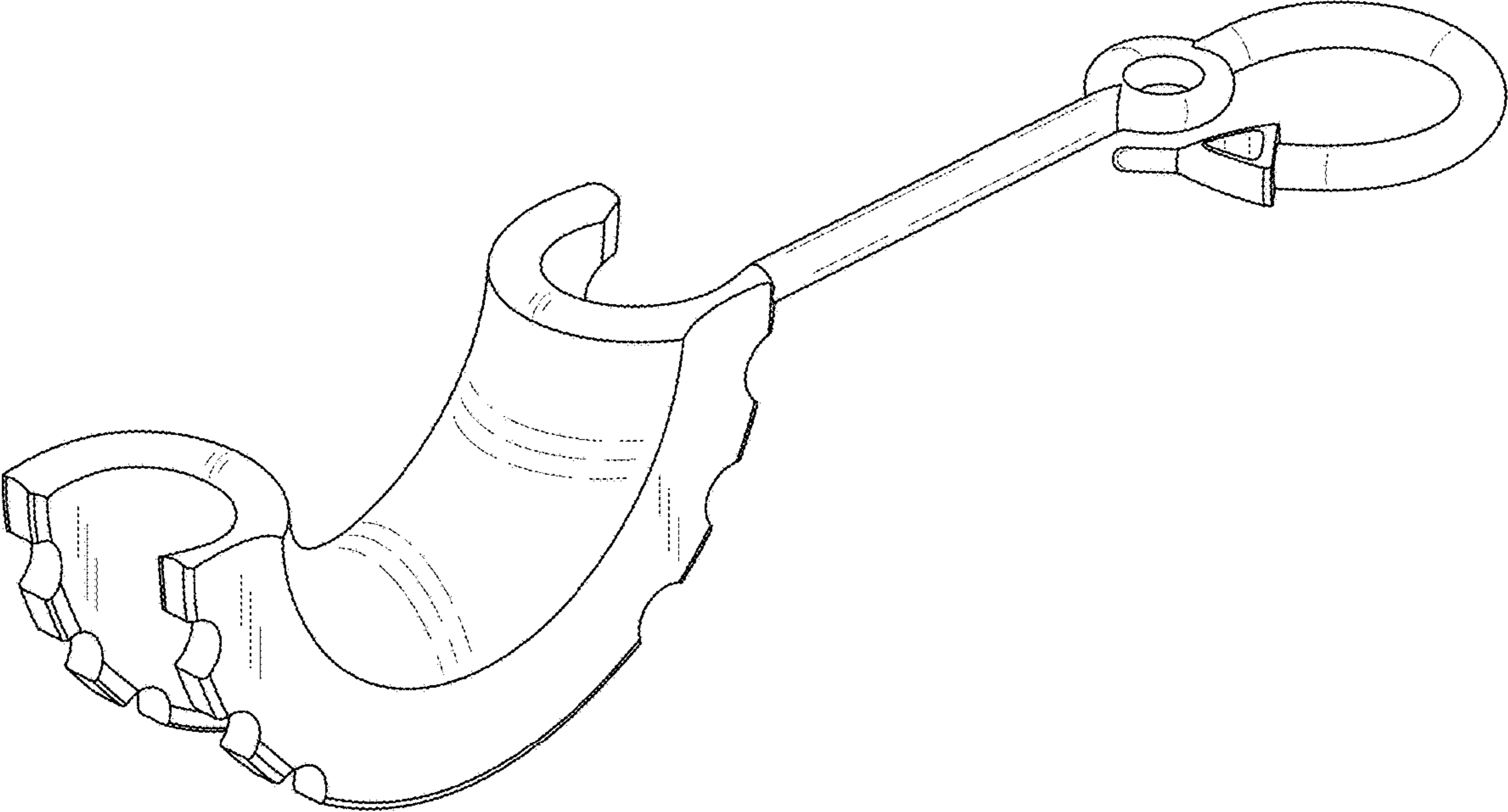


FIG. 2

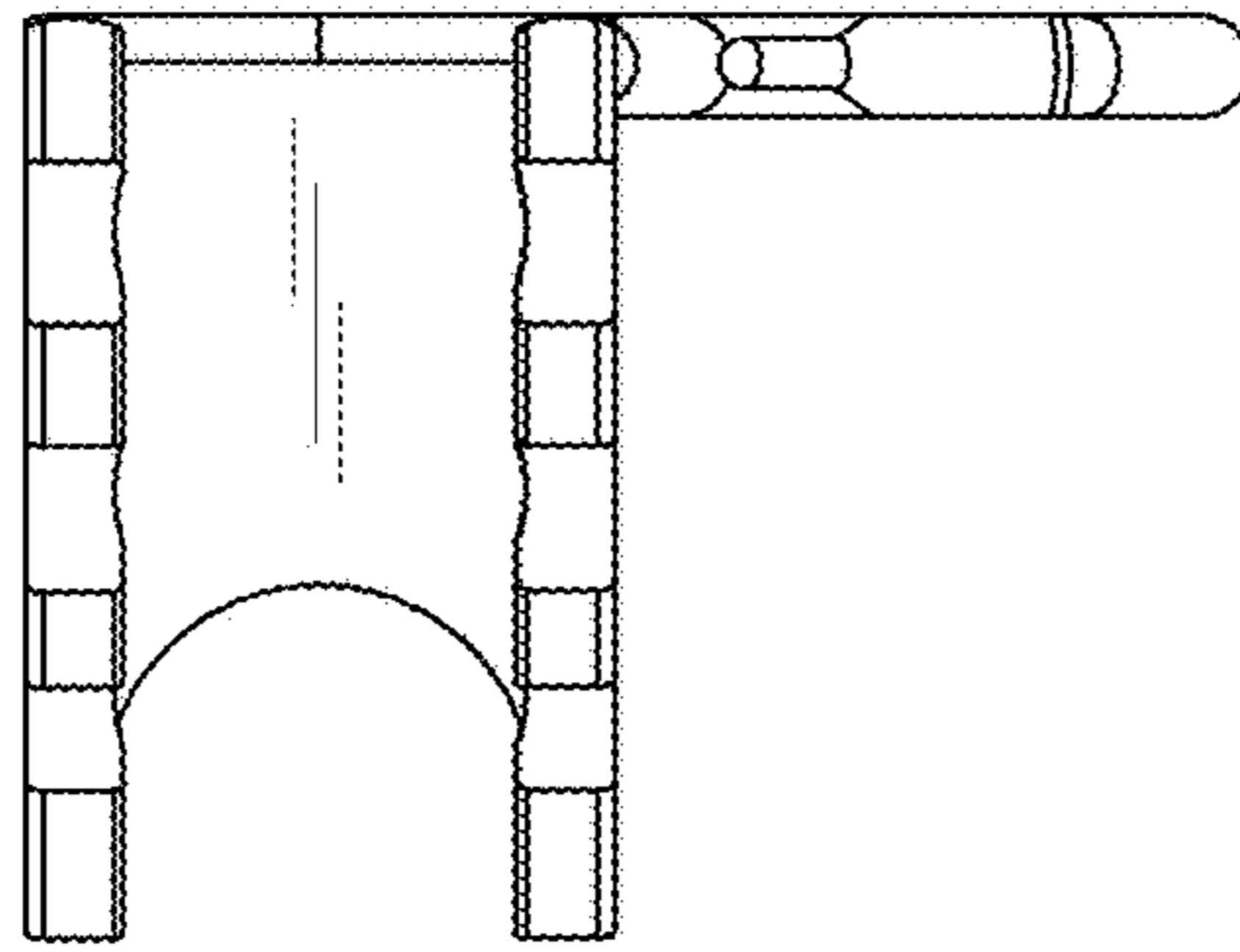


FIG. 3

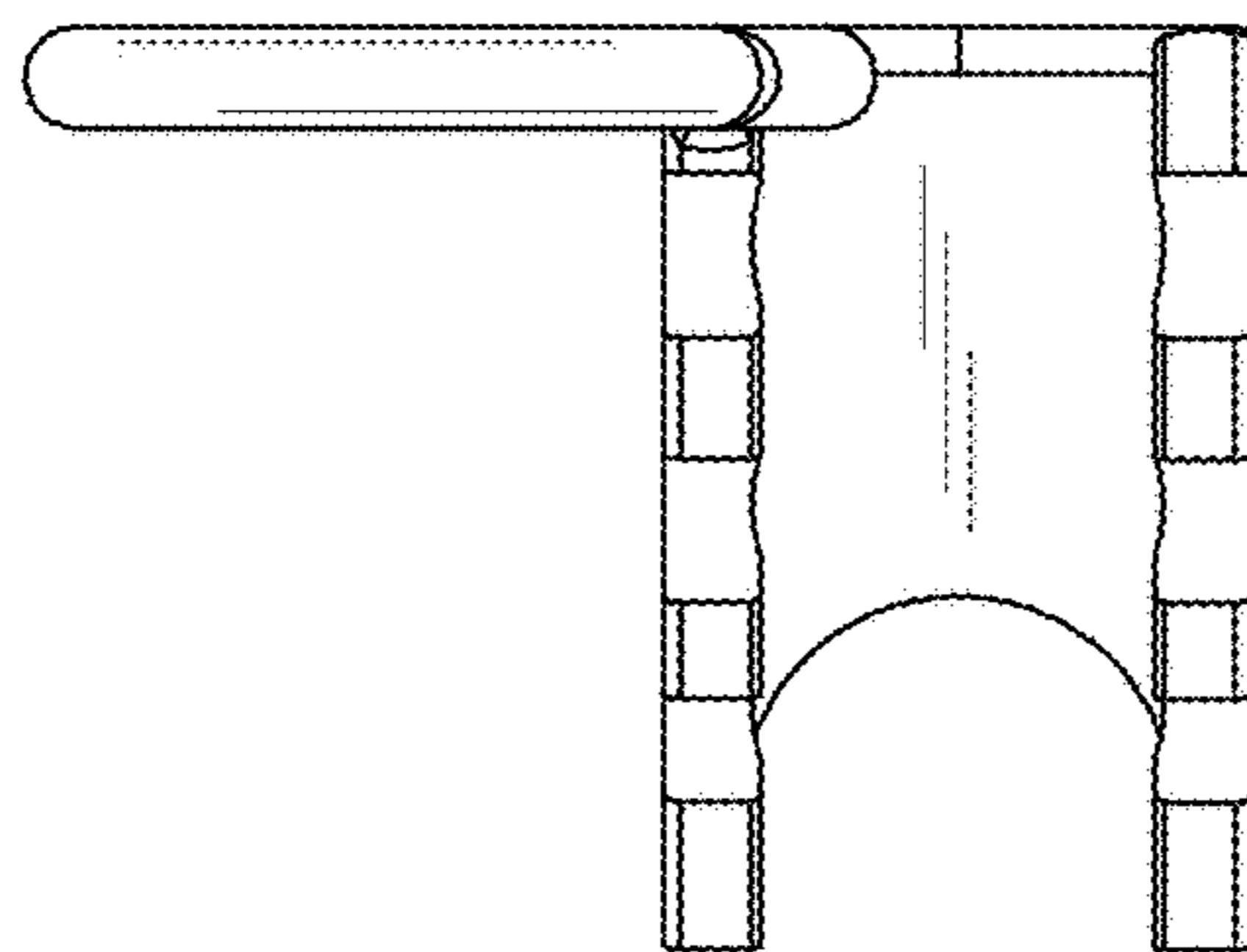


FIG. 4

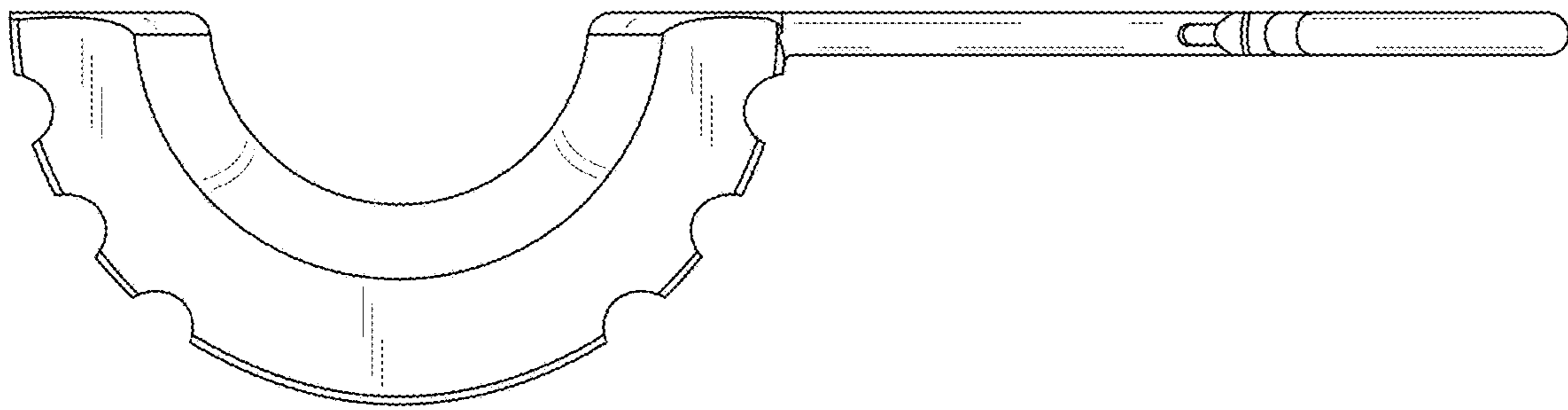


FIG. 5

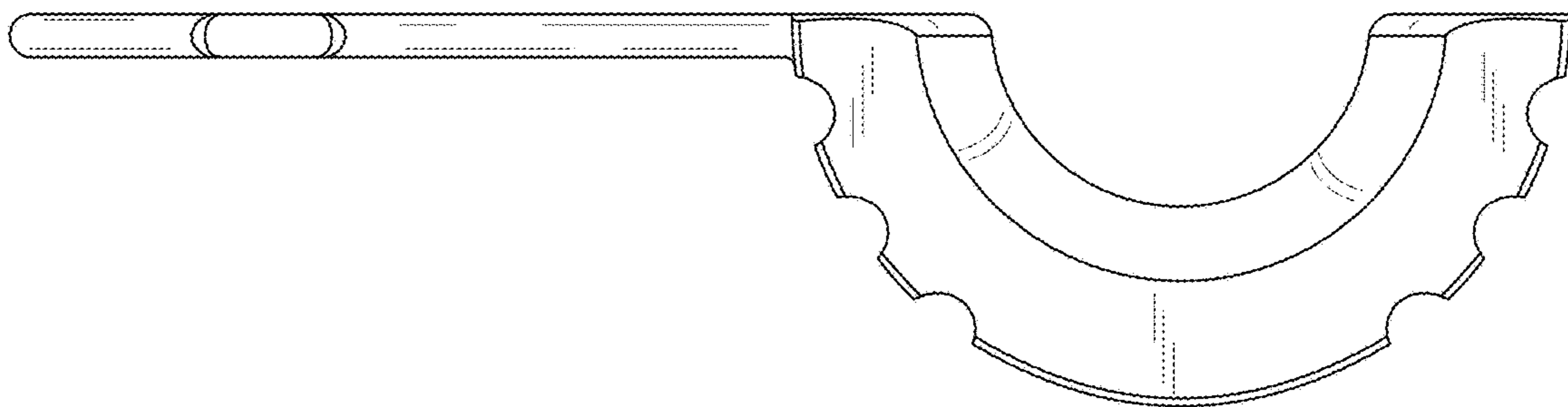


FIG. 6

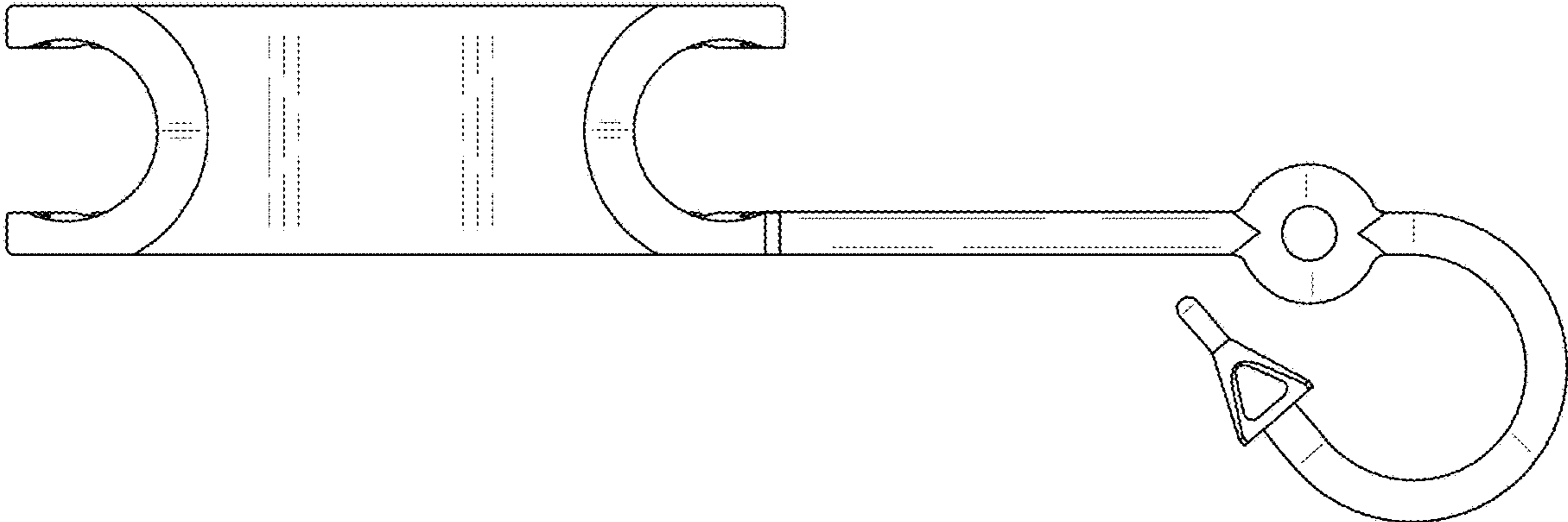


FIG. 7

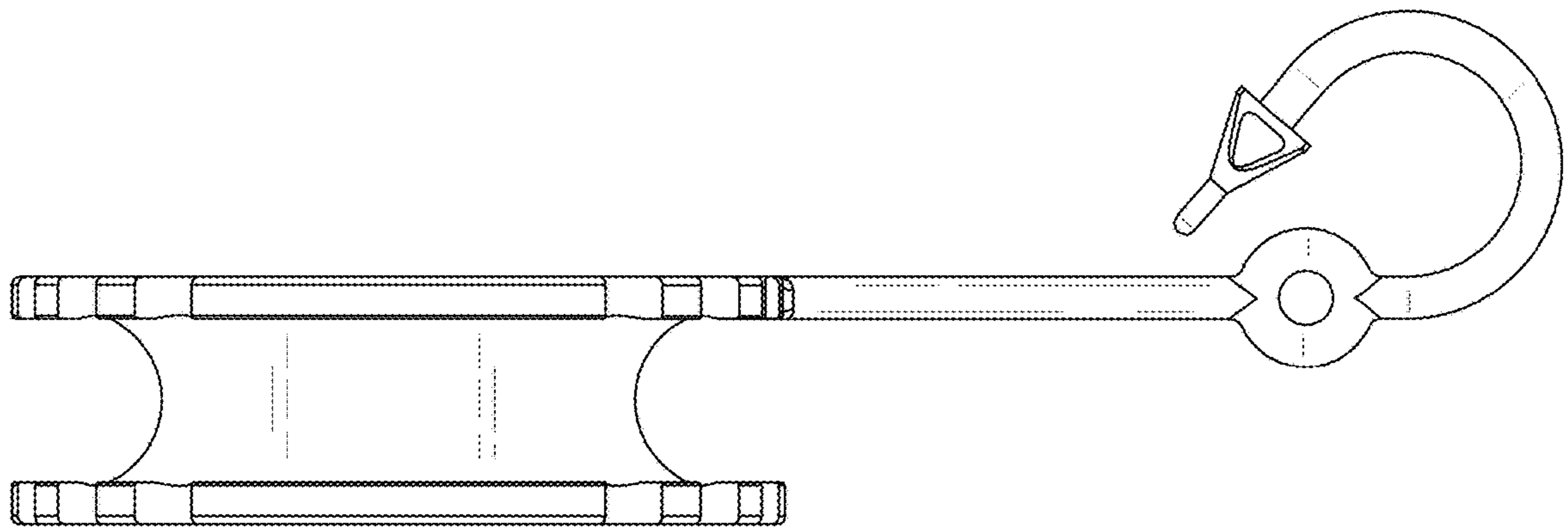


FIG. 8