



US00D838159S

(12) **United States Design Patent** (10) **Patent No.:** **US D838,159 S**
Jimenez (45) **Date of Patent:** **** Jan. 15, 2019**

(54) **TOOL HANDLE**
(71) Applicant: **Level 5 Tools, LLC**, Kansas City, KS (US)
(72) Inventor: **Eduardo J. Jimenez**, Manalapan, NJ (US)
(73) Assignee: **Level 5 Tools, LLC**, Kansas City, KS (US)
(**) Term: **15 Years**
(21) Appl. No.: **29/599,676**
(22) Filed: **Apr. 5, 2017**
(51) **LOC (11) Cl.** **08-05**
(52) **U.S. Cl.**
USPC **D8/107**
(58) **Field of Classification Search**
USPC D8/45, 107, 14, 82, 83; D4/138;
D7/395; D32/46, 49, 52
CPC B25G 1/105; B25G 1/102; B25G 1/125;
B25G 1/10; B25F 1/00; Y10T 16/44;
Y10T 16/498; Y10T 16/476; A47L
13/022
See application file for complete search history.

D674,259 S * 1/2013 Metaxatos D8/45
D682,062 S * 5/2013 Metaxatos D8/45
D793,837 S * 8/2017 Su D8/107
D808,241 S * 1/2018 Levand D8/107
D808,242 S * 1/2018 Levand D8/107
D828,740 S * 9/2018 Levand D8/107

* cited by examiner

Primary Examiner — Philip S Hyder
(74) *Attorney, Agent, or Firm* — Law Office of Mark Brown, LLC; Mark E. Brown

(57) **CLAIM**

The ornamental design for a tool handle, as shown and described.

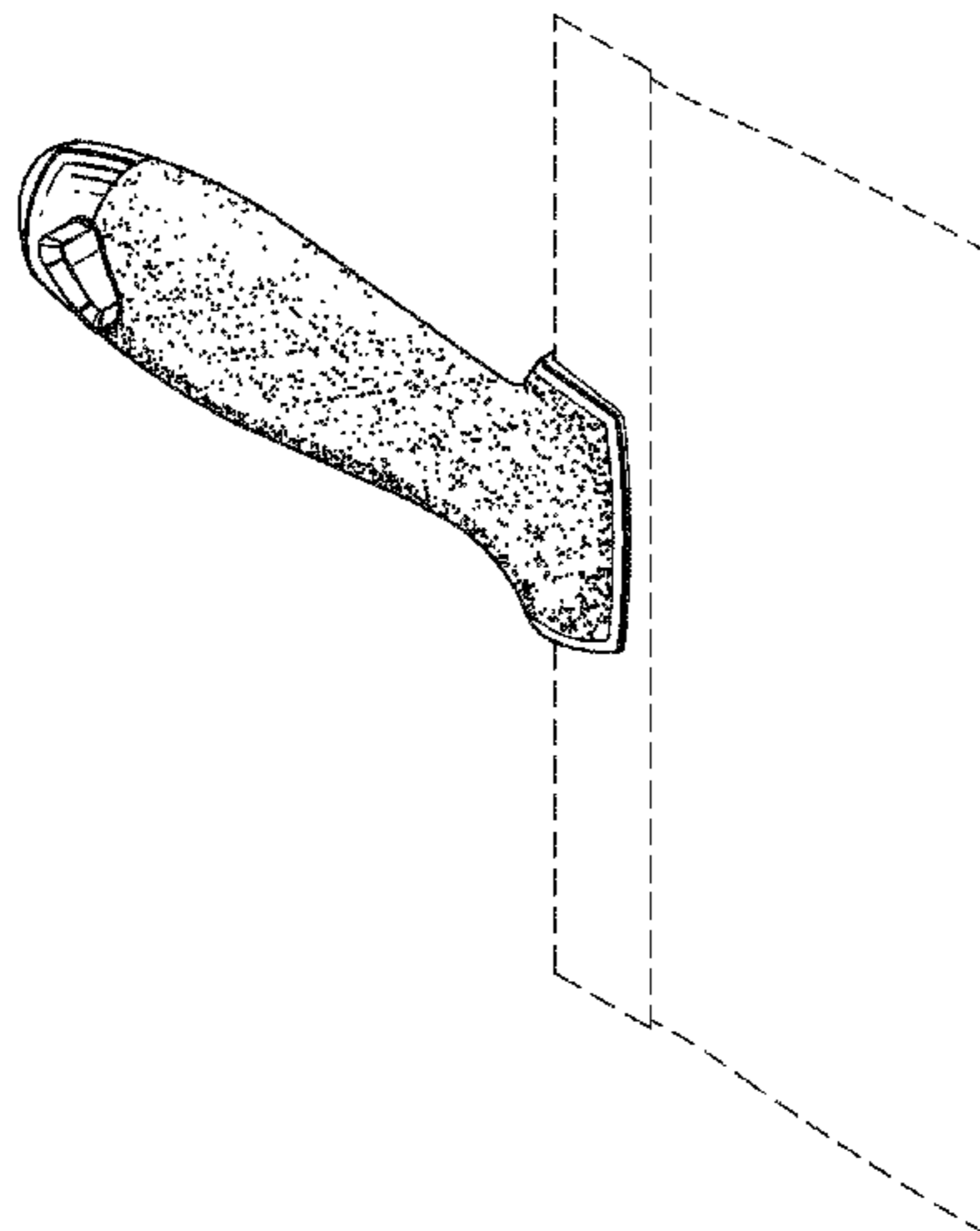
DESCRIPTION

FIG. 1 is a top, front, right side perspective view of a tool handle, showing my new design; the broken lines indicating a blade are shown for environmental purposes only and form no part of the claimed design;
FIG. 2 is a right side elevational view thereof; the left side elevational view being a mirror image thereof;
FIG. 3 is a rear elevational view thereof;
FIG. 4 is a front elevational view thereof;
FIG. 5 is a bottom plan view thereof; the top plan view being a mirror image thereof;
FIG. 6 is a top, front, right side perspective view of a tool handle, showing a first modified or alternative embodiment of my new design; the broken lines indicating a blade are shown for environmental purposes only and form no part of the claimed design;
FIG. 7 is a right side elevational view thereof; the left side elevational view being a mirror image thereof;
FIG. 8 is a rear elevational view thereof;
FIG. 9 is a front elevational view thereof; and,
FIG. 10 is a bottom plan view thereof; the top plan view being a mirror image thereof.

(56) **References Cited**
U.S. PATENT DOCUMENTS

5,956,799 A * 9/1999 Panaccione A47L 13/022
15/143.1
D456,236 S * 4/2002 Norton D8/14
D462,251 S * 9/2002 Collins D8/107
D472,125 S * 3/2003 Hsu D8/1
D498,124 S * 11/2004 Mitchell D8/45
D535,174 S * 1/2007 Chen D8/107
D562,517 S * 2/2008 Henke D32/46
D608,177 S * 1/2010 Perlman D8/107
D612,702 S * 3/2010 Perlman D8/107
D629,649 S * 12/2010 Barber D7/395
8,205,341 B2 * 6/2012 Rosso B25G 3/26
30/169
D669,332 S * 10/2012 Hoertnagl D8/107

1 Claim, 4 Drawing Sheets



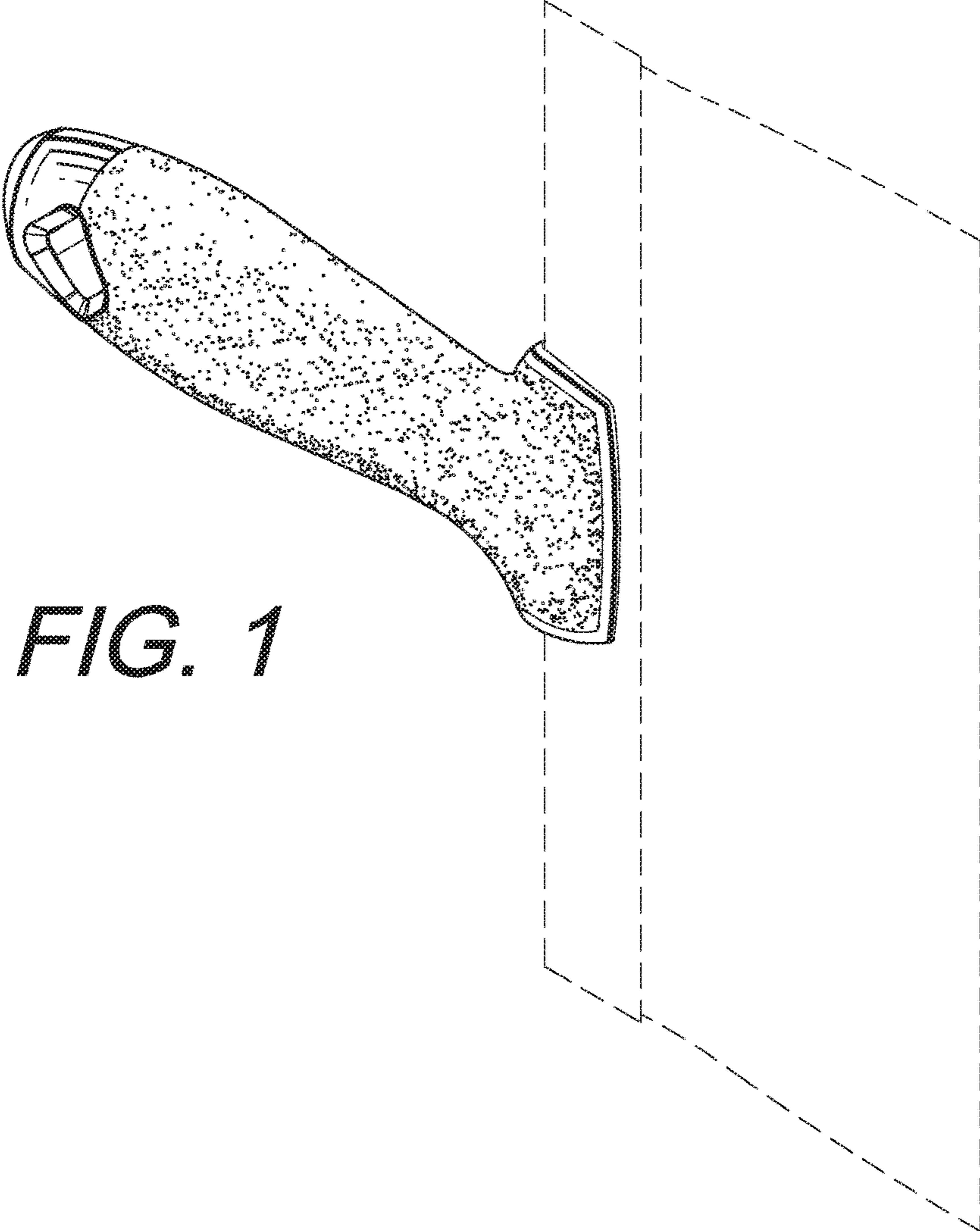
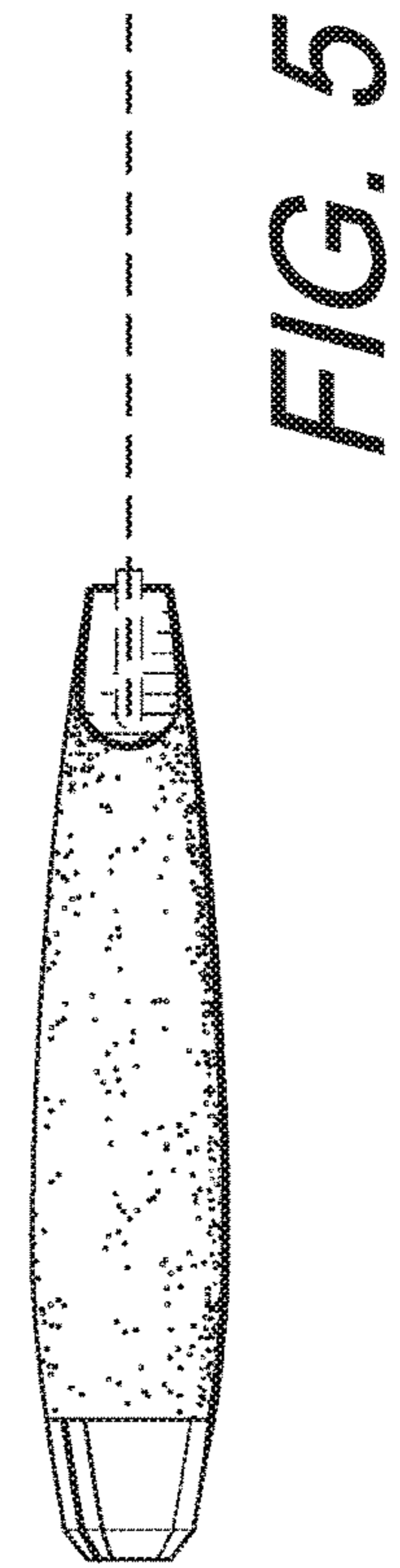
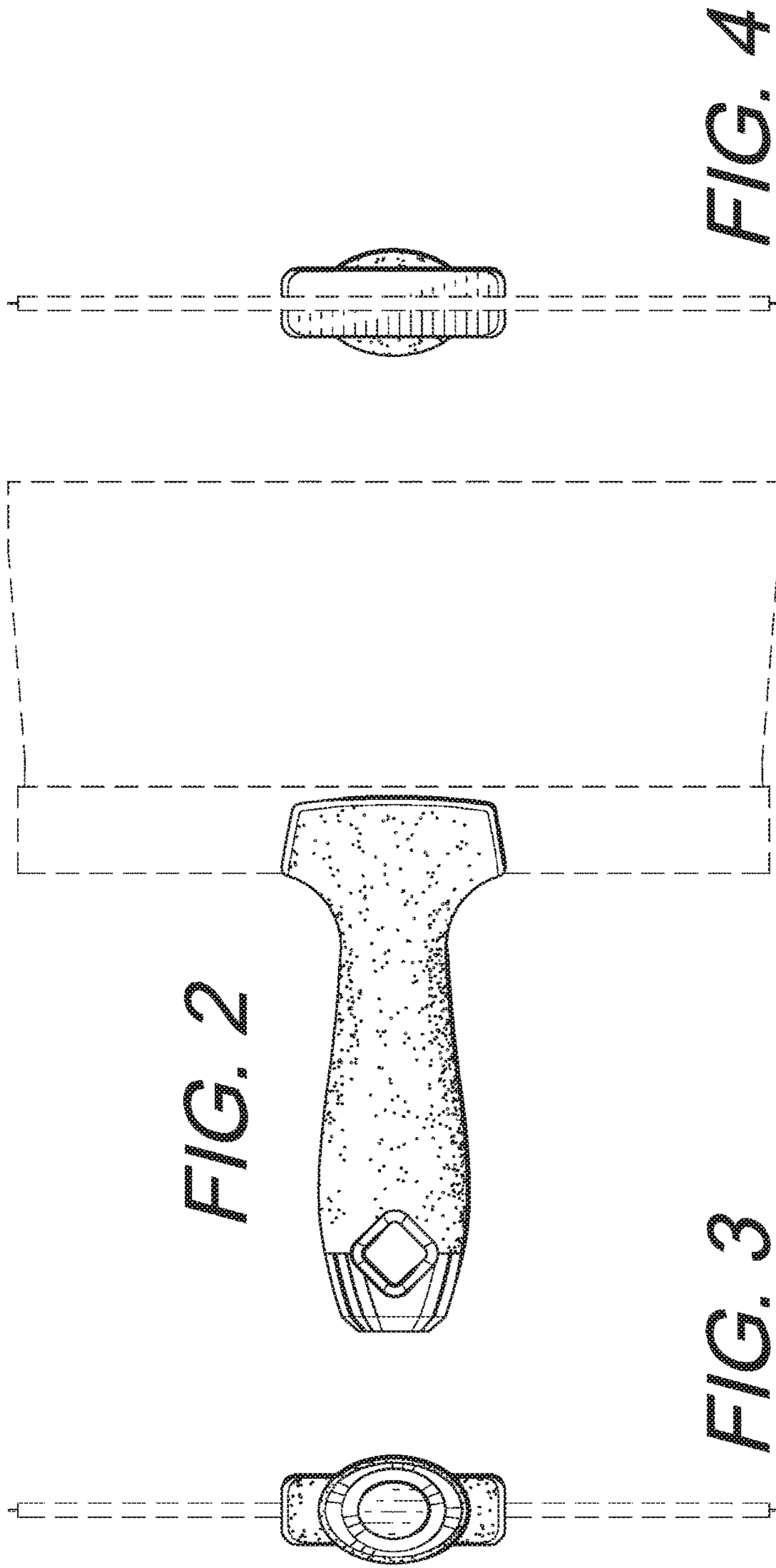
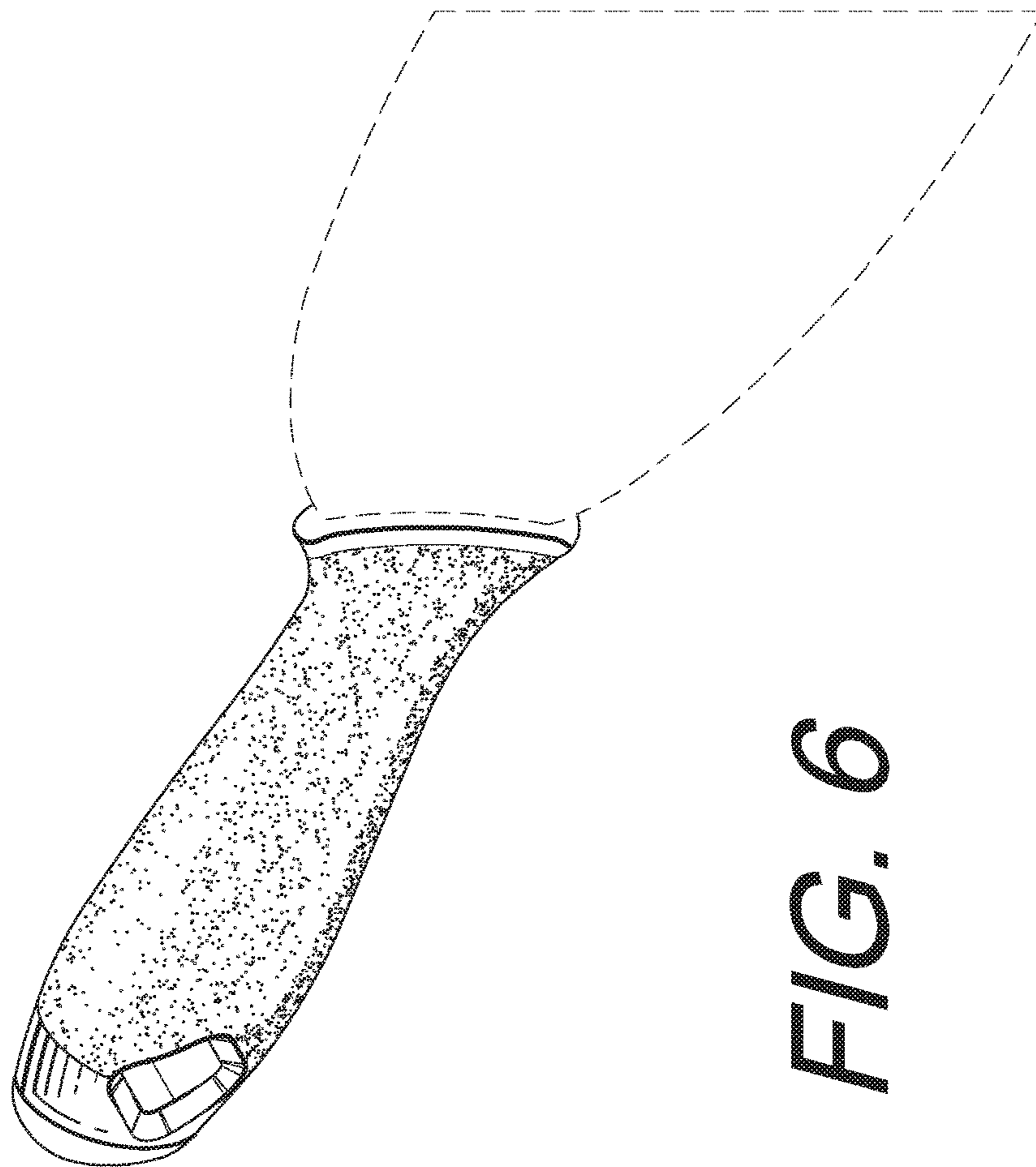


FIG. 1





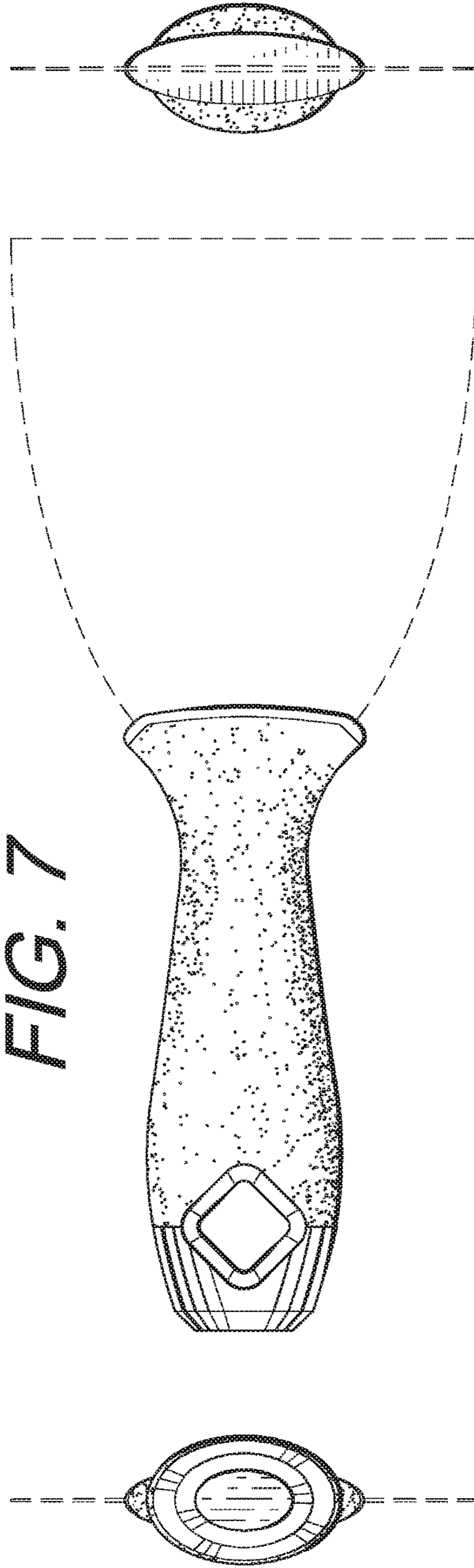


FIG. 9

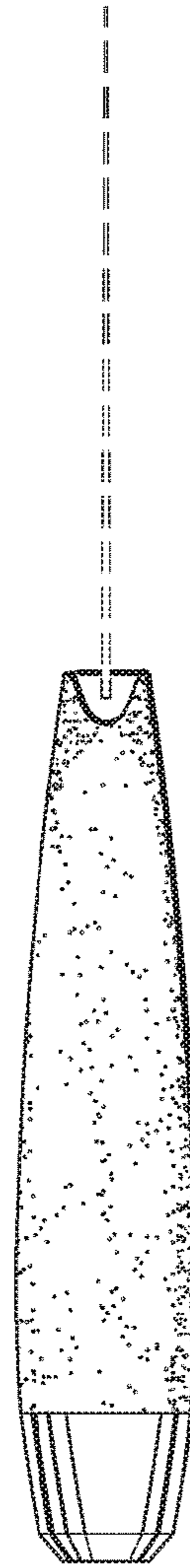


FIG. 10

FIG. 10