



US00D838158S

(12) **United States Design Patent** (10) **Patent No.:** **US D838,158 S**
Wu (45) **Date of Patent:** **** Jan. 15, 2019**

(54) **KNIFE SHARPENER**
(71) Applicant: **Shih-Piao Wu**, Changhua (TW)
(72) Inventor: **Shih-Piao Wu**, Changhua (TW)
(73) Assignee: **Jiin Haur Industrial Co. Ltd.**,
Changhua (TW)
(**) Term: **15 Years**
(21) Appl. No.: **29/571,371**
(22) Filed: **Jul. 18, 2016**
(51) **LOC (11) Cl.** **08-05**
(52) **U.S. Cl.**
USPC **D8/93**
(58) **Field of Classification Search**
USPC D7/395; D8/14, 62-63, 71, 90-94, 98,
D8/99, 105, 107; D22/118
CPC B24B 3/54; B24B 3/546; B24D 15/065;
B24D 15/08; B24D 15/081; B24D 15/082
See application file for complete search history.

D491,783 S * 6/2004 Ikegaki D8/63
7,153,200 B1 * 12/2006 Wu B24B 41/00
451/344
D537,698 S * 3/2007 Hasegawa D8/91
D541,615 S * 5/2007 Wu D8/90
D568,132 S * 5/2008 Heun D8/63
D604,133 S * 11/2009 Smith D8/63
D618,532 S * 6/2010 Wu D8/71
D673,439 S * 1/2013 Wu D8/93
D679,974 S * 4/2013 Wu D8/93
D703,018 S * 4/2014 Otsuka D8/63
8,715,041 B2 * 5/2014 Wu B24D 15/065
451/349
2011/0136412 A1 * 6/2011 Dovel B24B 3/52
451/45
2012/0264358 A1 * 10/2012 Wu B24D 15/065
451/344
2015/0273663 A1 * 10/2015 Wu B24D 15/065
451/555
2016/0368116 A1 * 12/2016 Wu B24D 15/081

* cited by examiner

Primary Examiner — Philip S Hyder
(74) *Attorney, Agent, or Firm* — Che-Yang Chen; Law
Offices of Scott Warmuth

(56) **References Cited**
U.S. PATENT DOCUMENTS

D153,168 S * 3/1949 Palma, Jr. D8/63
D162,121 S * 2/1951 Branick 241/200
D163,044 S * 4/1951 Hoek 451/282
D169,056 S * 3/1953 Chapin D8/13
D175,067 S * 7/1955 Ernest D8/63
D176,887 S * 2/1956 Schwaneke et al. D8/63
D179,610 S * 1/1957 Palma, Jr. D8/63
D187,543 S * 3/1960 Leman D8/63
D217,425 S * 5/1970 Madl D8/63
D326,986 S * 6/1992 Dressel D8/63
5,189,848 A * 3/1993 Flaherty B24B 3/36
451/241
D432,385 S * 10/2000 Milani D8/91
D473,777 S * 4/2003 Thompson D8/63

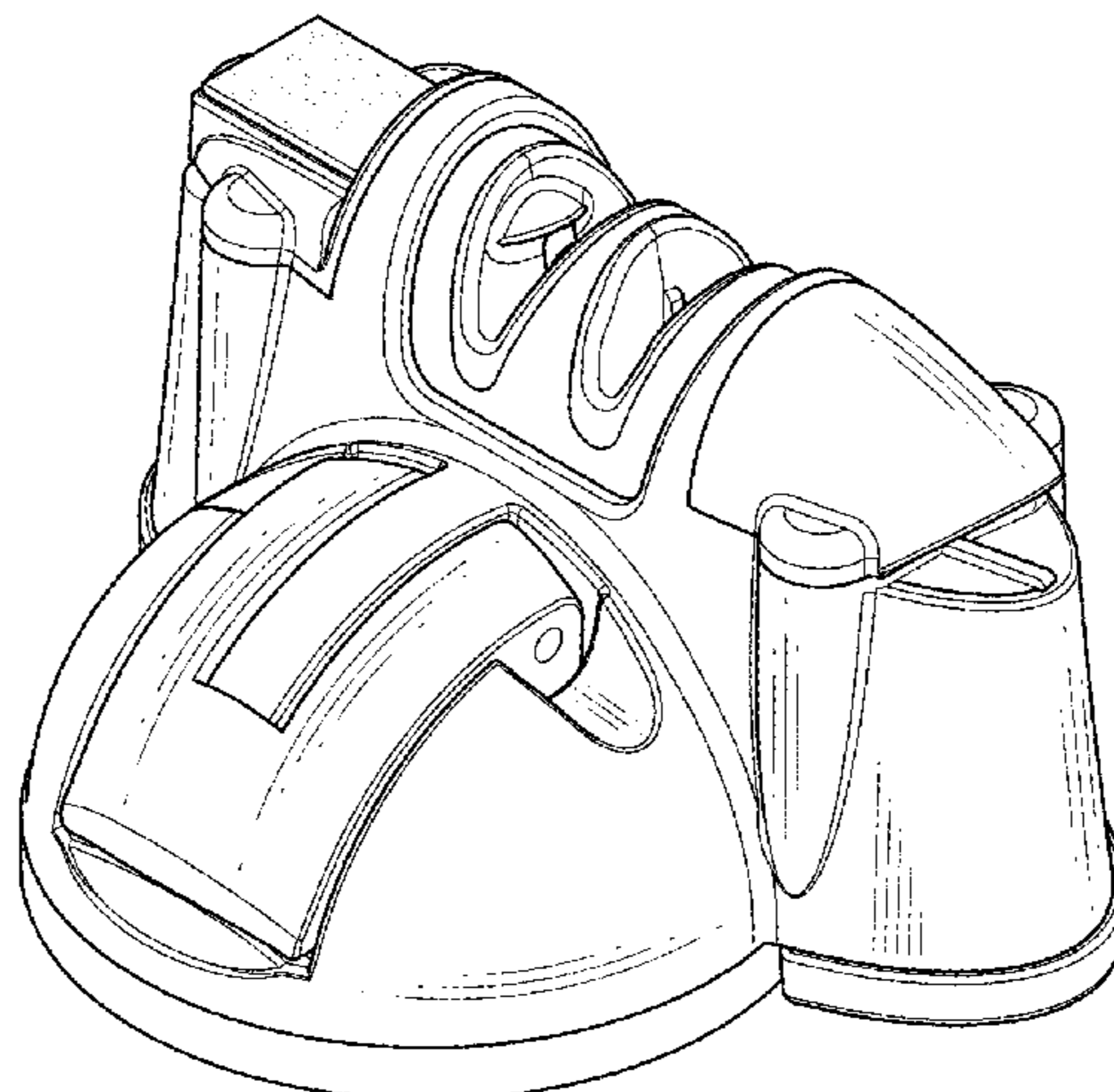
(57) **CLAIM**

The ornamental design for a knife sharpener, as shown and described.

DESCRIPTION

FIG. 1 is a perspective view of a knife sharpener showing my new design;
FIG. 2 is a front elevational view thereof;
FIG. 3 is a rear elevational view thereof;
FIG. 4 is a left side elevational view thereof;
FIG. 5 is a right side elevational view thereof; and,
FIG. 6 is a top plan view thereof.

1 Claim, 4 Drawing Sheets



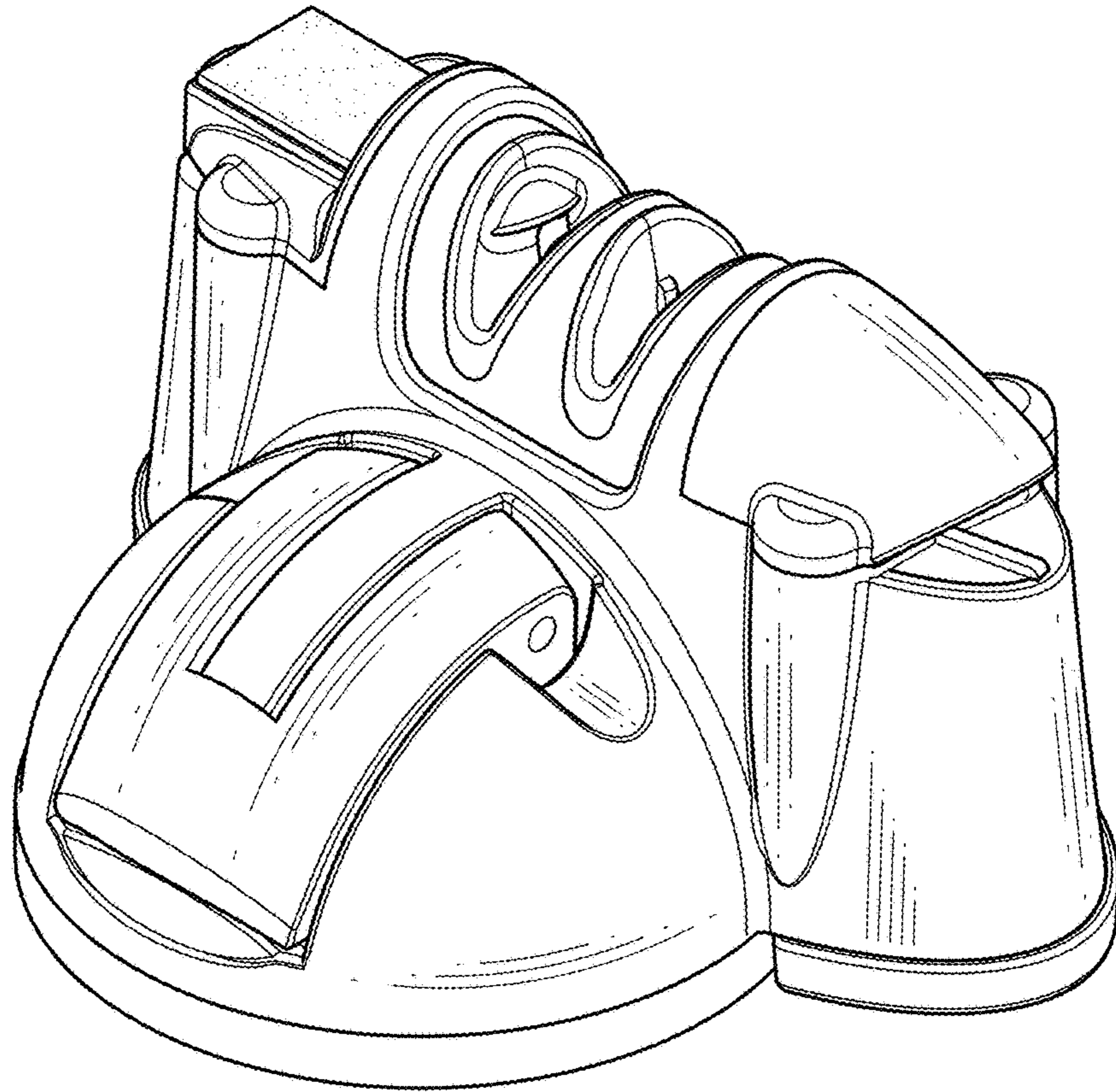


FIG. 1

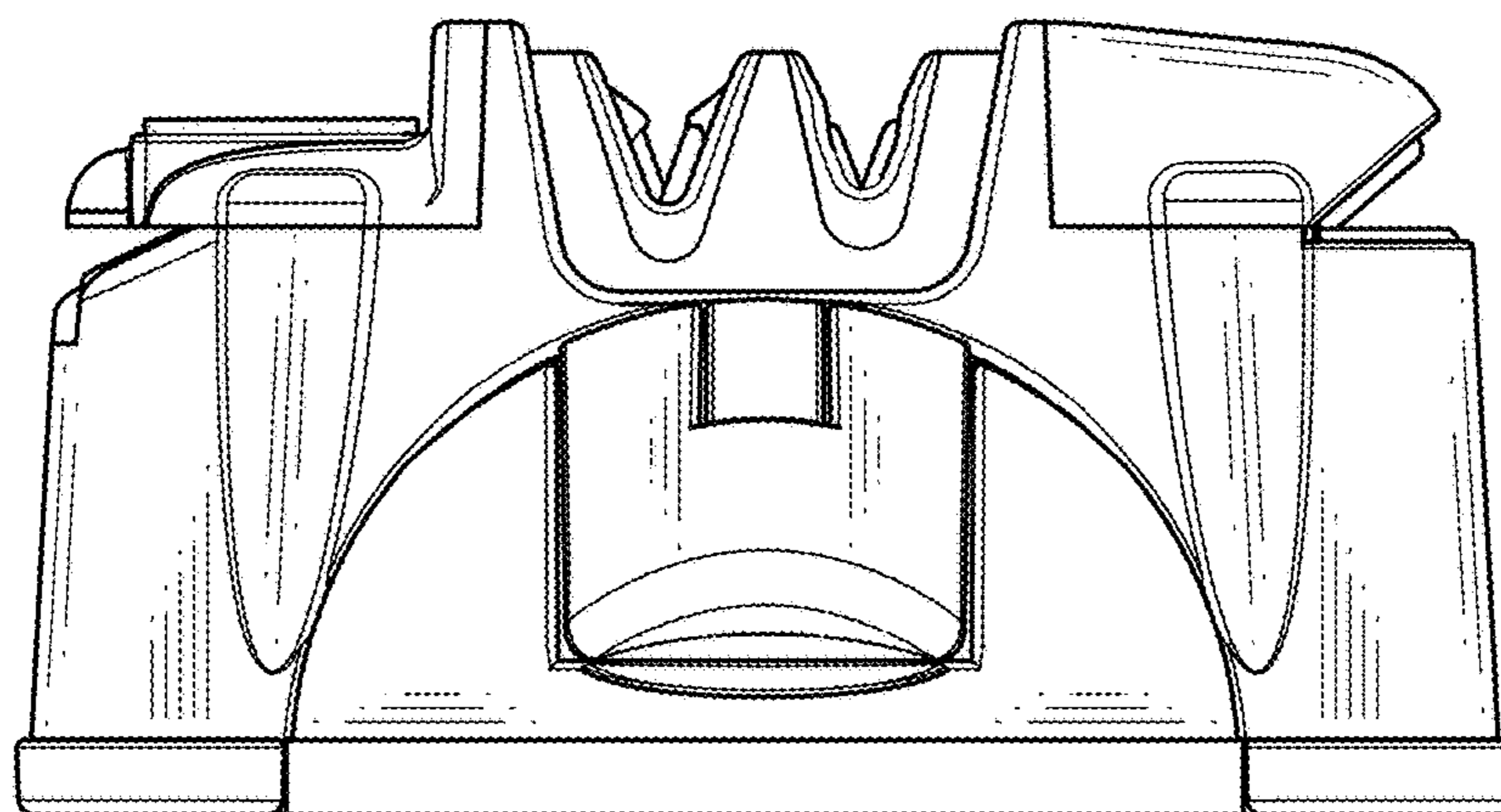


FIG. 2

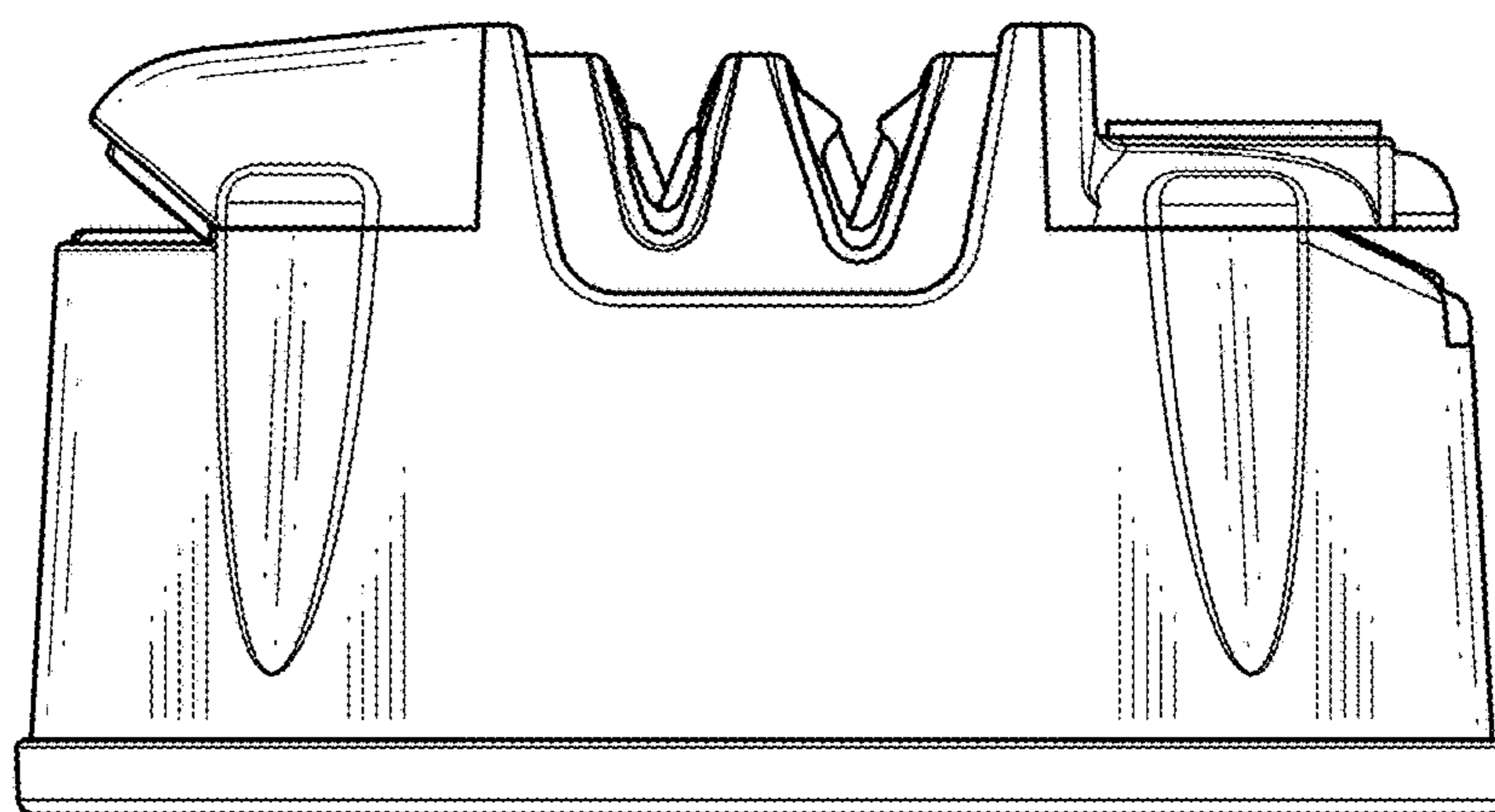


FIG. 3

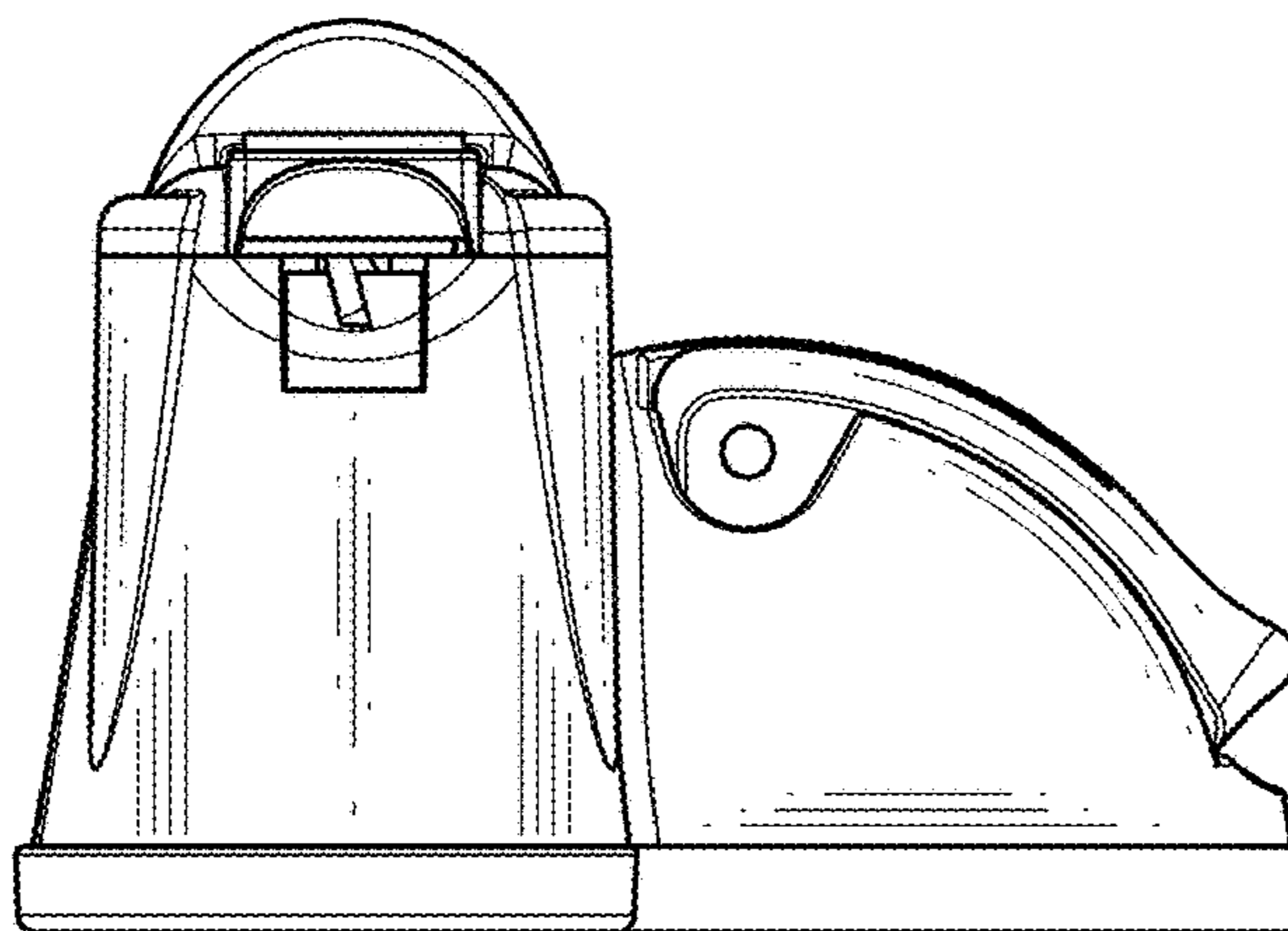


FIG. 4

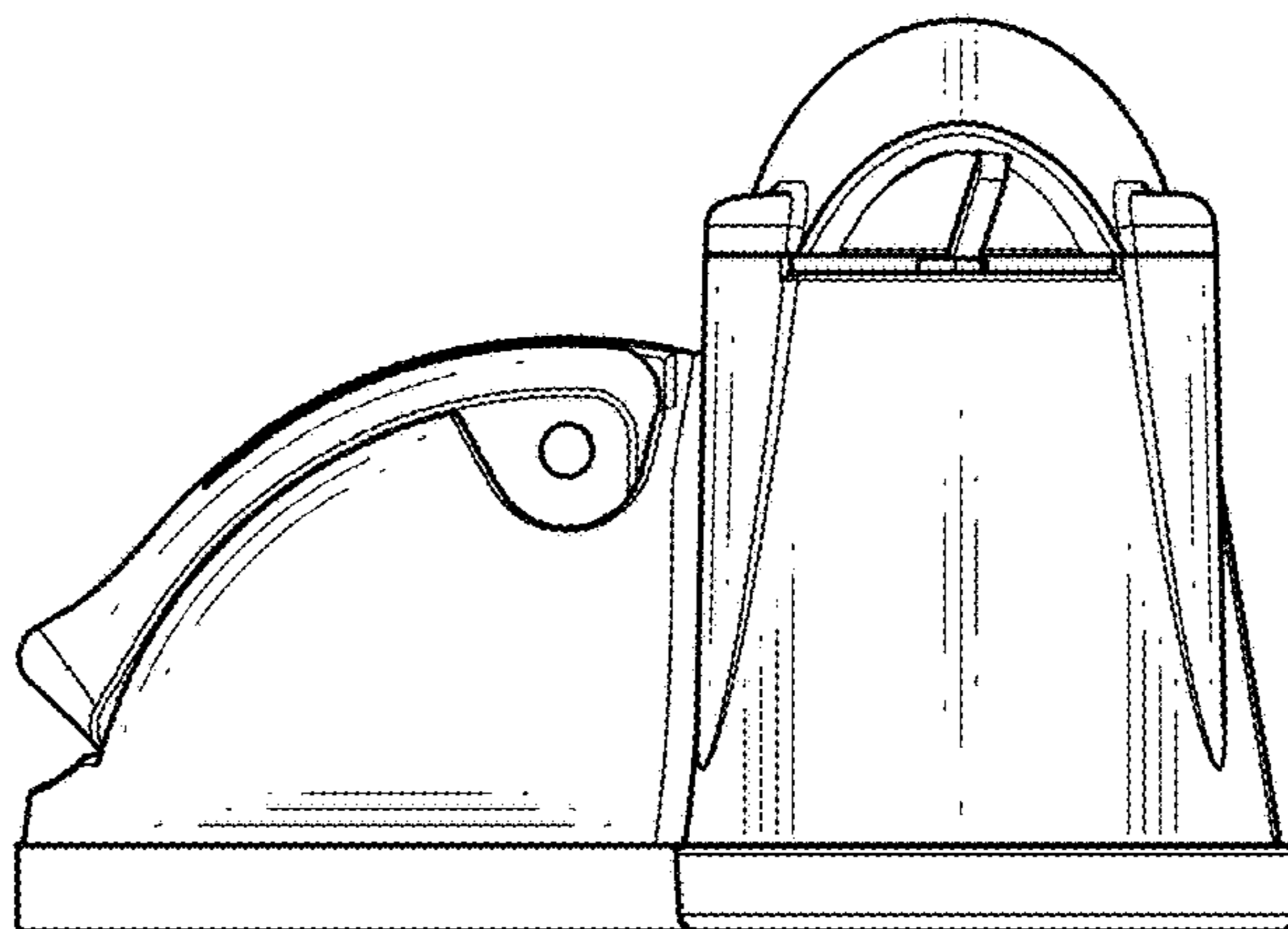


FIG. 5

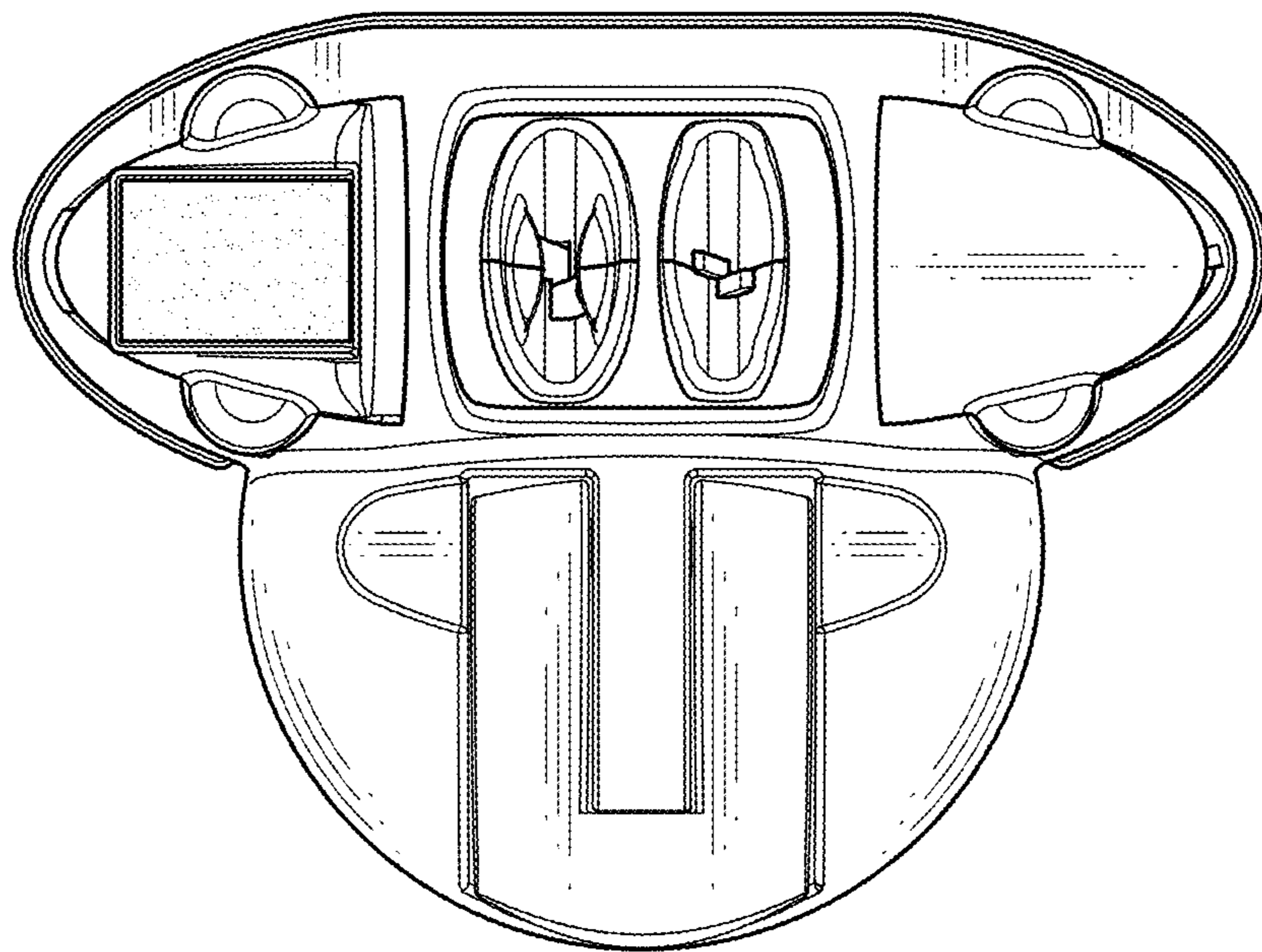


FIG. 6