



US00D838157S

(12) **United States Design Patent**  
**Suzuki et al.**

(10) **Patent No.:** **US D838,157 S**  
(45) **Date of Patent:** **\*\* Jan. 15, 2019**

(54) **PORTABLE ELECTRIC HAMMER DRILL**

OTHER PUBLICATIONS

(71) Applicant: **MAKITA CORPORATION**, Anjo-shi, Aichi (JP)

Makita General Catalogue 2017; Model No. HR4013C; Japan.

(72) Inventors: **Wataru Suzuki**, Anjo (JP); **Hitoshi Iida**, Anjo (JP)

*Primary Examiner* — Darlington Ly

(74) *Attorney, Agent, or Firm* — Global IP Counselors, LLP

(73) Assignee: **MAKITA CORPORATION**, Anjo-Shi (JP)

(57) **CLAIM**

The ornamental design for a portable electric hammer drill, as shown and described.

(\*\*) Term: **15 Years**

(21) Appl. No.: **29/605,018**

**DESCRIPTION**

(22) Filed: **May 23, 2017**

(30) **Foreign Application Priority Data**

Nov. 24, 2016 (JP) ..... 2016-025462

(51) **LOC (11) Cl.** ..... **08-05**

(52) **U.S. Cl.**  
USPC ..... **D8/69**

(58) **Field of Classification Search**  
USPC ..... D8/14.1, 61-70  
CPC ..... B25D 16/00; B25D 17/02; B25D 11/125  
See application file for complete search history.

FIG. 1 is a front perspective view of a portable electric hammer drill in accordance with our new design; FIG. 2 is a rear perspective view of the portable electric hammer drill in accordance with our new design; FIG. 3 is a front elevational view of the portable electric hammer drill in accordance with our new design; FIG. 4 is a rear elevational view of the portable electric hammer drill in accordance with our new design; FIG. 5 is a top plan view of the portable electric hammer drill in accordance with our new design; FIG. 6 is a bottom plan view of the portable electric hammer drill in accordance with our new design; FIG. 7 is a left side elevational view of the portable electric hammer drill in accordance with our new design; FIG. 8 is a right side elevational view of the portable electric hammer drill in accordance with our new design; and, FIG. 9 is a front perspective view, similar to FIG. 1 of the portable electric hammer drill in accordance with our new design illustrating a state in which rechargeable batteries are attached to the portable electric hammer drill.

(56) **References Cited**

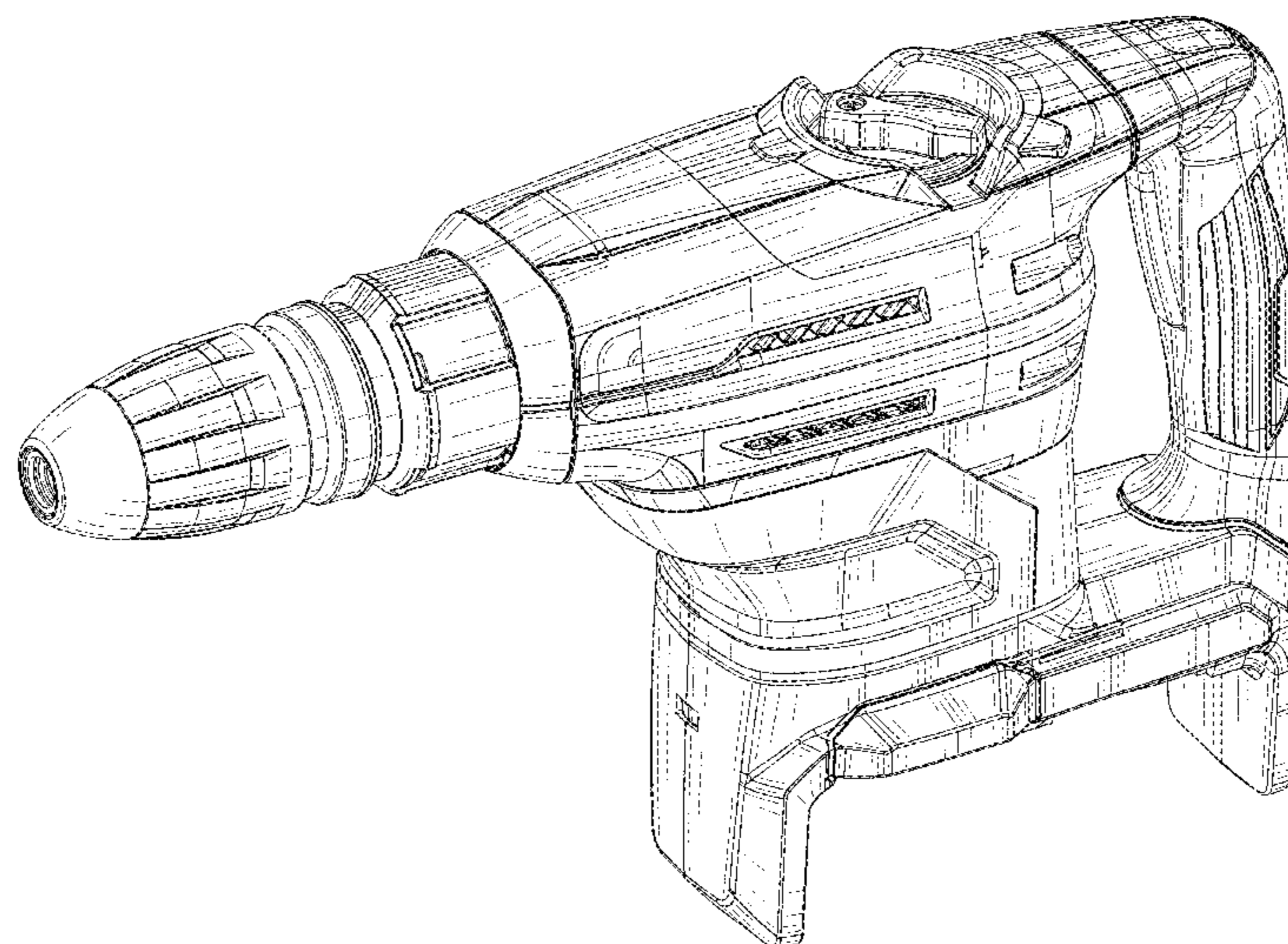
U.S. PATENT DOCUMENTS

D524,626 S *	7/2006	Stirm	.....	D8/69
D527,601 S *	9/2006	Stirm	.....	D8/69
D535,537 S *	1/2007	Aglassinger	.....	D8/69
D540,642 S *	4/2007	Stirm	.....	D8/69
D543,082 S *	5/2007	Stirm	.....	D8/69
D575,606 S *	8/2008	Okouchi	.....	D8/69
D581,235 S *	11/2008	Aglassinger	.....	D8/69
D663,183 S *	7/2012	Sell	.....	D8/69
D676,731 S *	2/2013	Aglassinger	.....	D8/69
D691,011 S *	10/2013	Walz	.....	D8/68
D695,086 S *	12/2013	Walz	.....	D8/68

The broken line showings of the side handle and rechargeable batteries in FIG. 9 are provided for the purpose of illustrating environmental structure; whereas the broken line showing in FIG. 6 illustrate portions of the portable electric hammer drill. These broken line subject matters do not form part of the claimed design.

(Continued)

**1 Claim, 8 Drawing Sheets**



(56)

**References Cited**

U.S. PATENT DOCUMENTS

D740,636 S \* 10/2015 Koeniger ..... D8/69  
2014/0318821 A1 \* 10/2014 Wyler ..... B25D 11/125  
173/104

\* cited by examiner

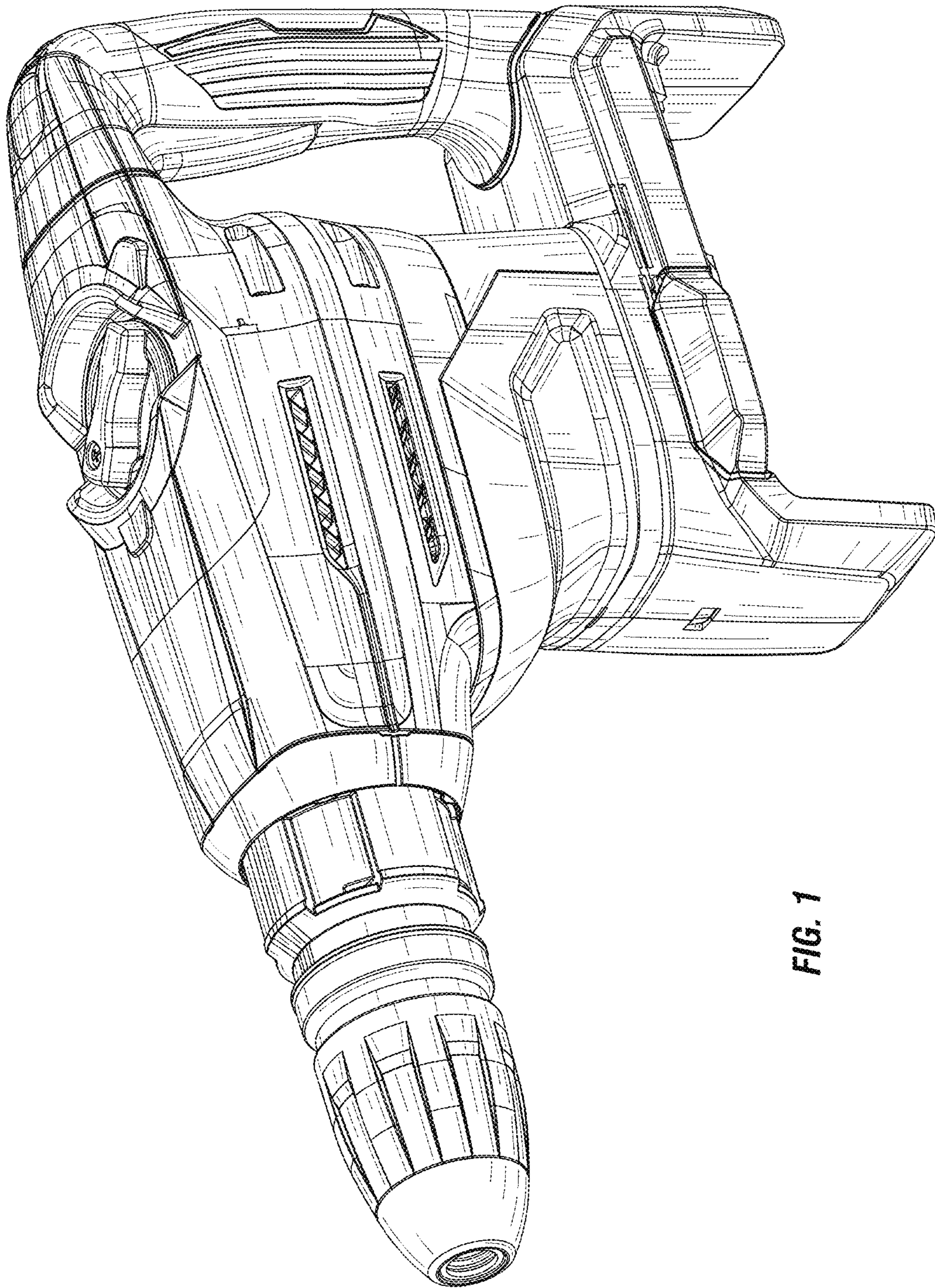


FIG. 1

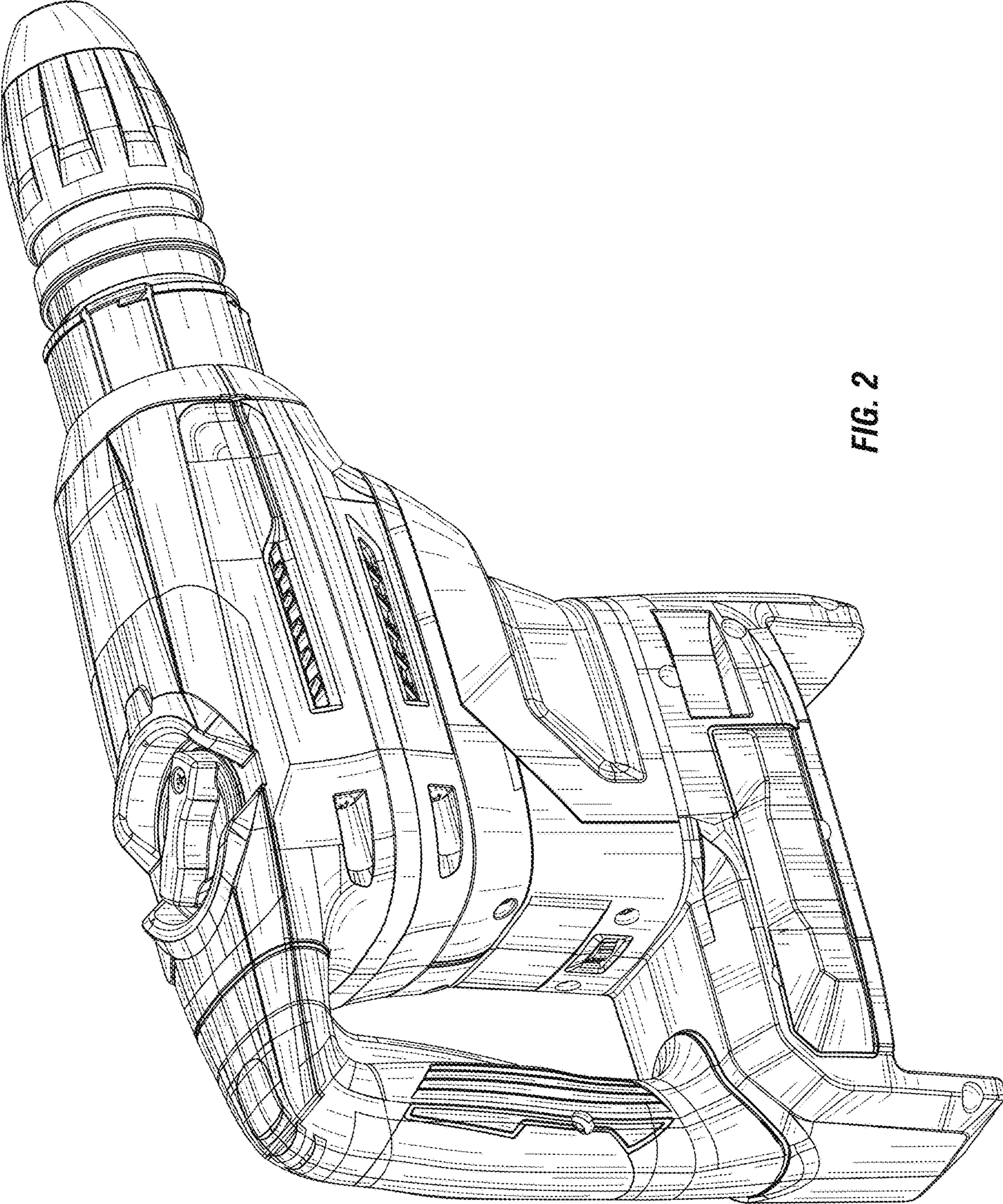


FIG. 2

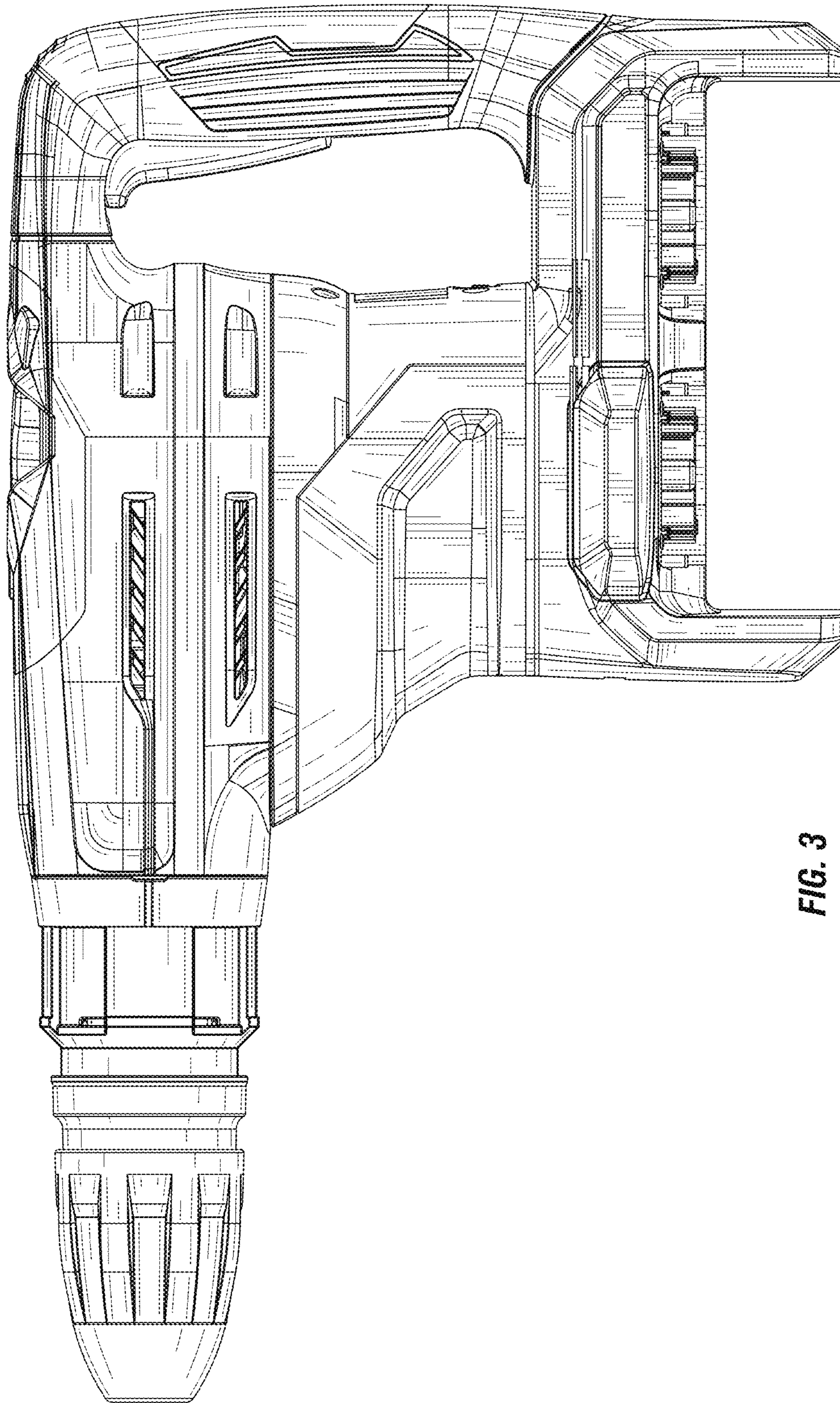


FIG. 3

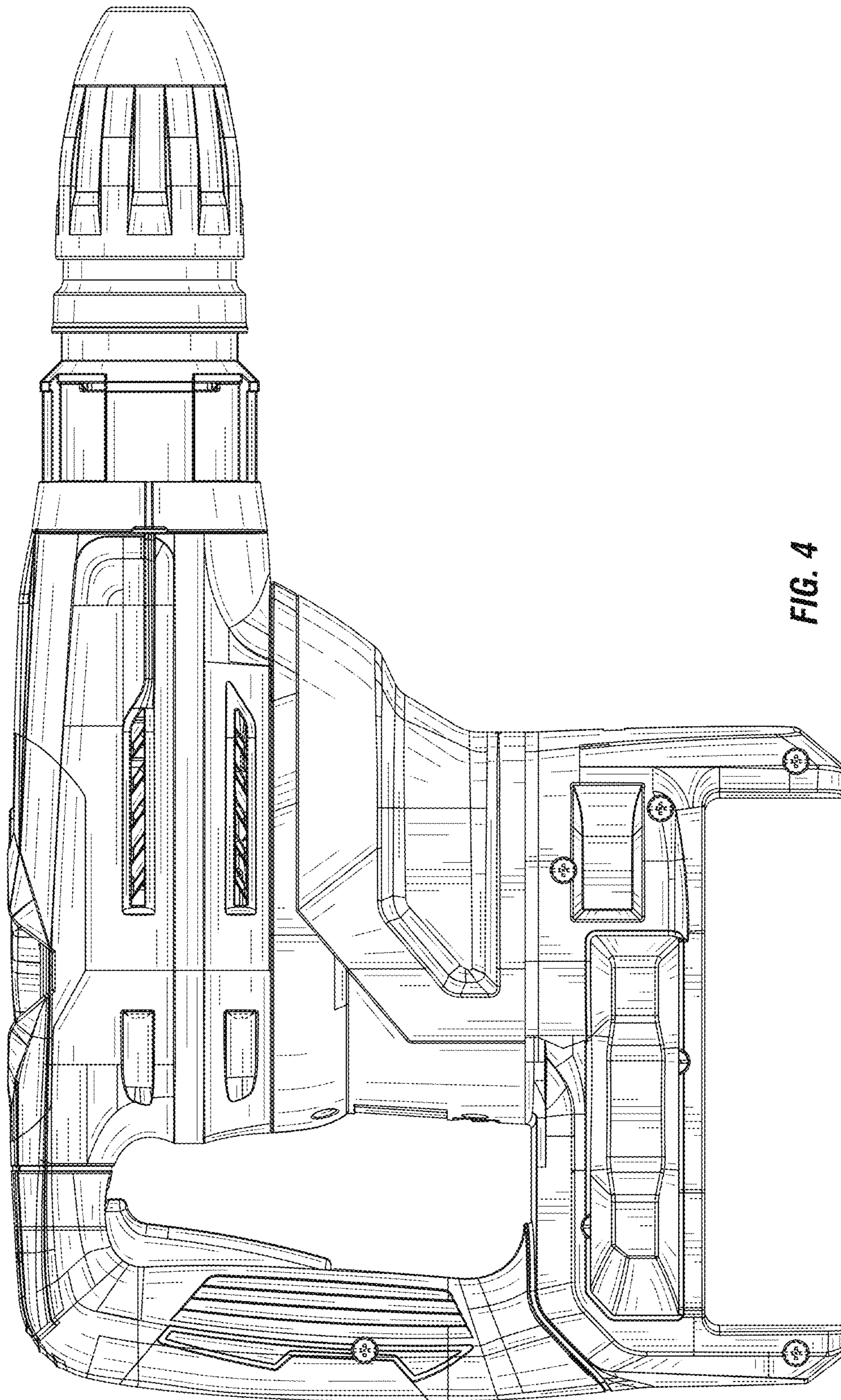


FIG. 4

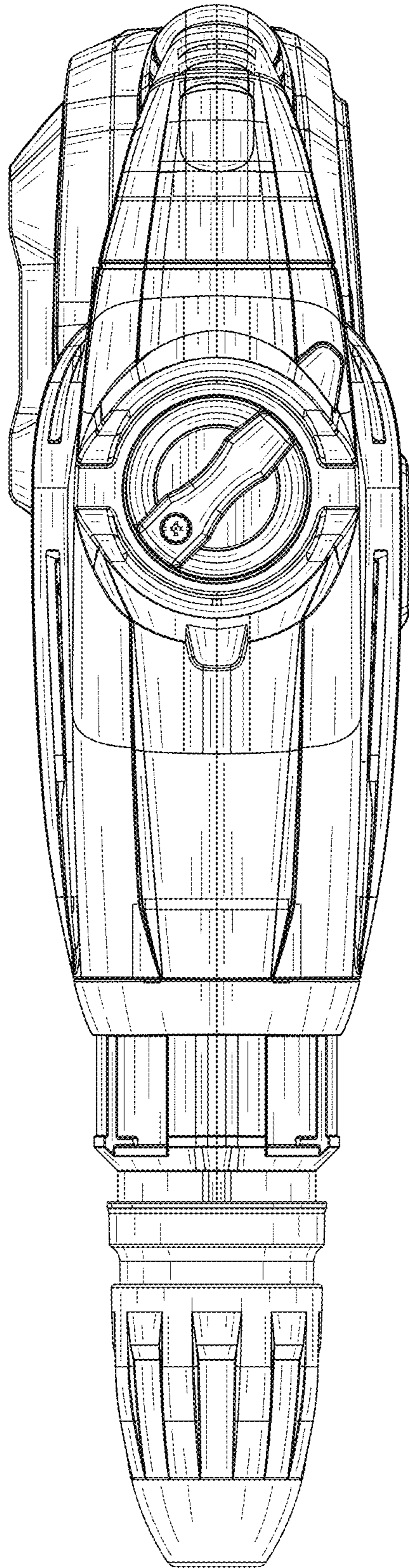


FIG. 5

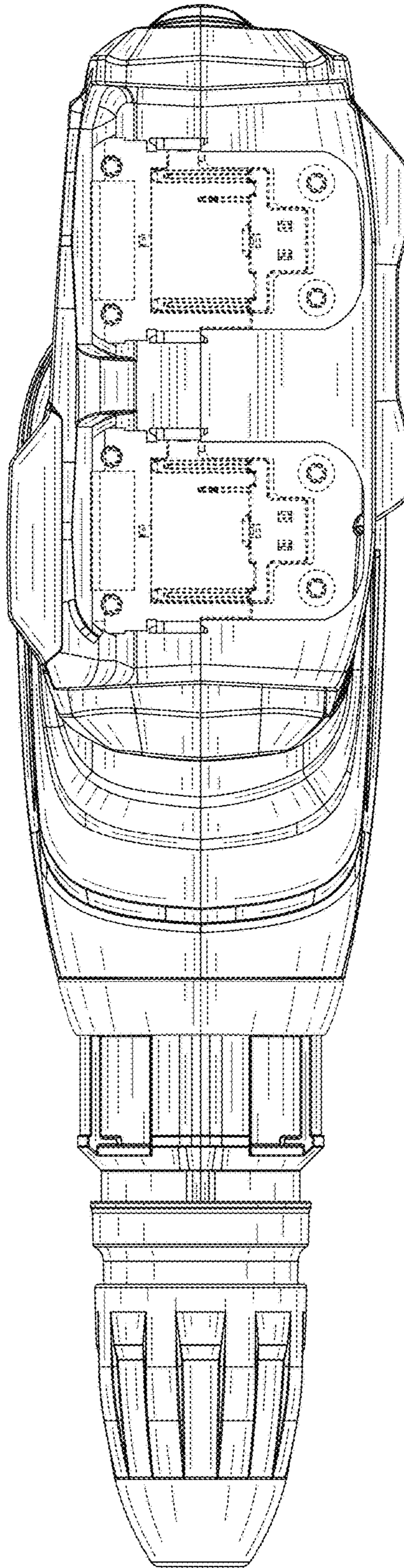
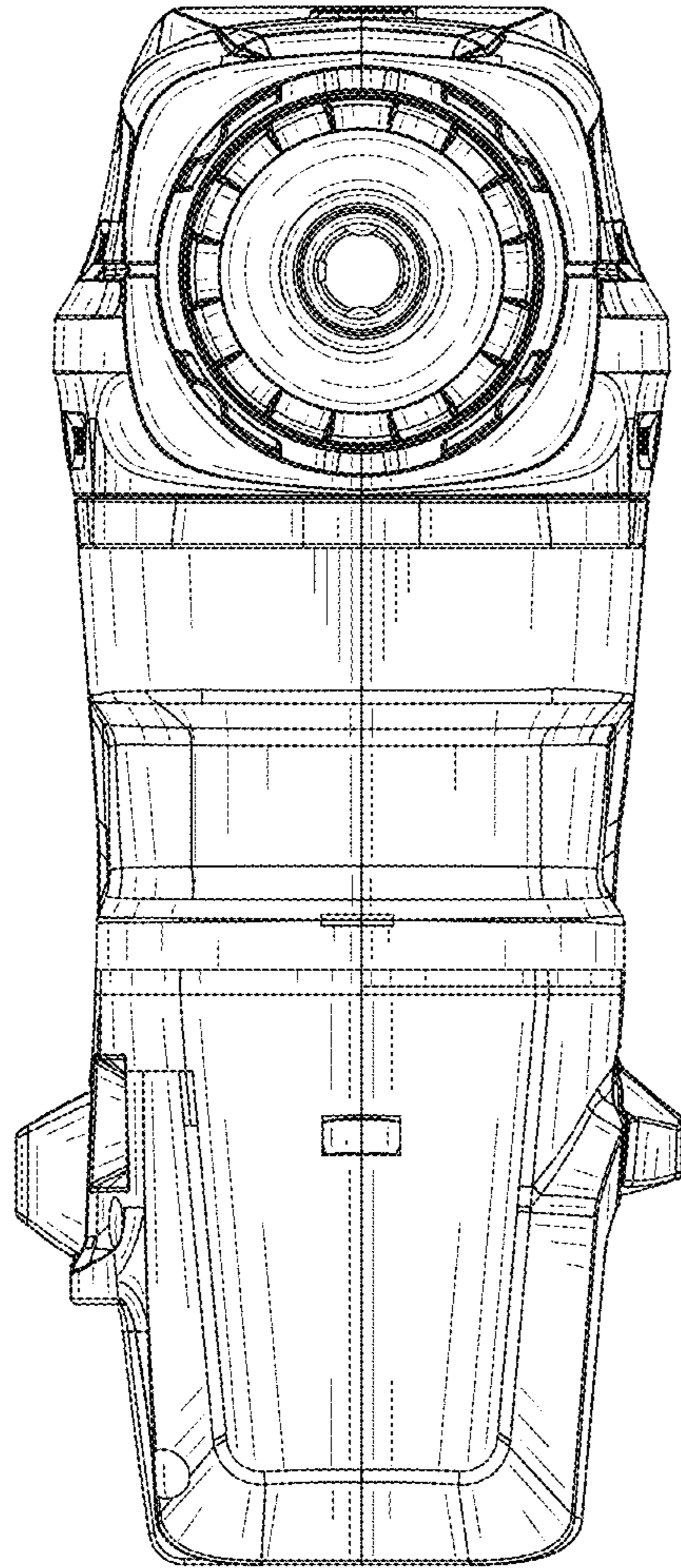
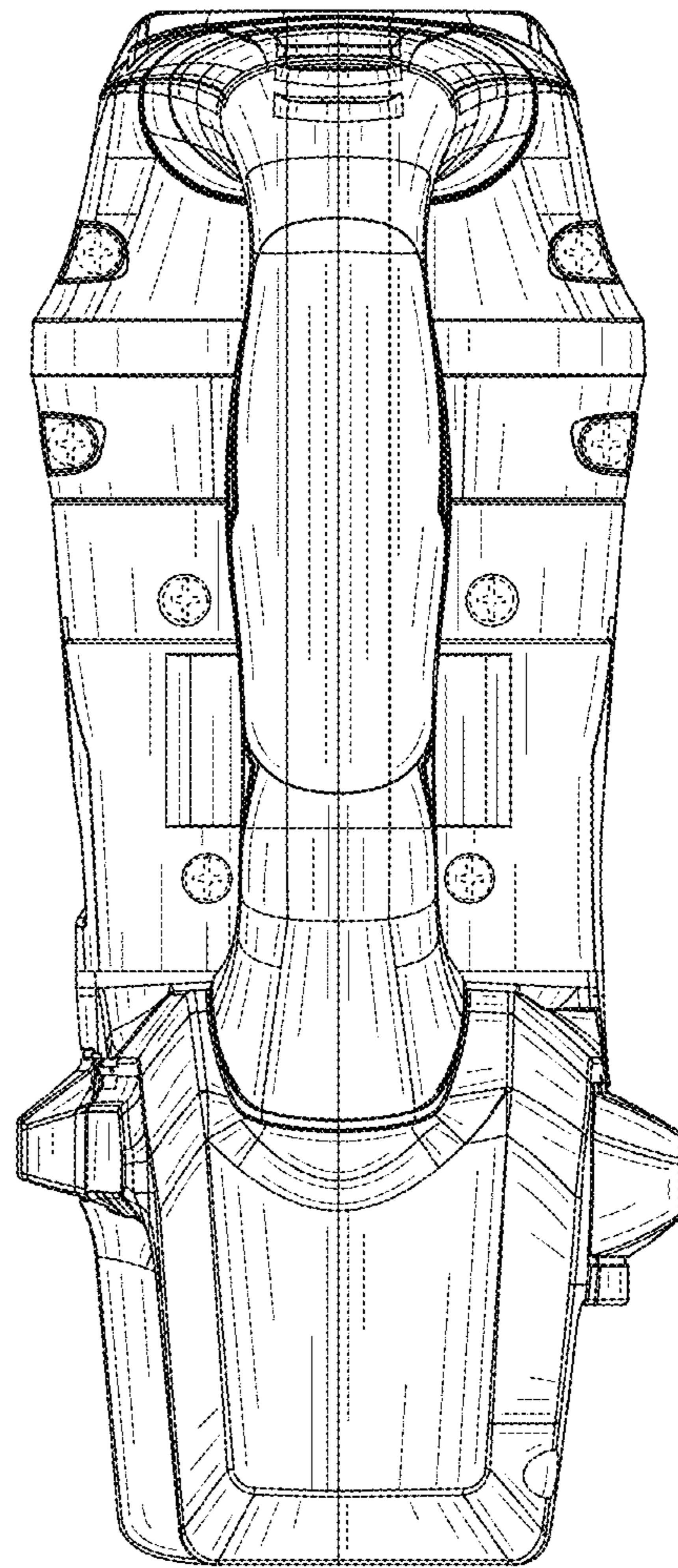


FIG. 6





**FIG. 7**



**FIG. 8**

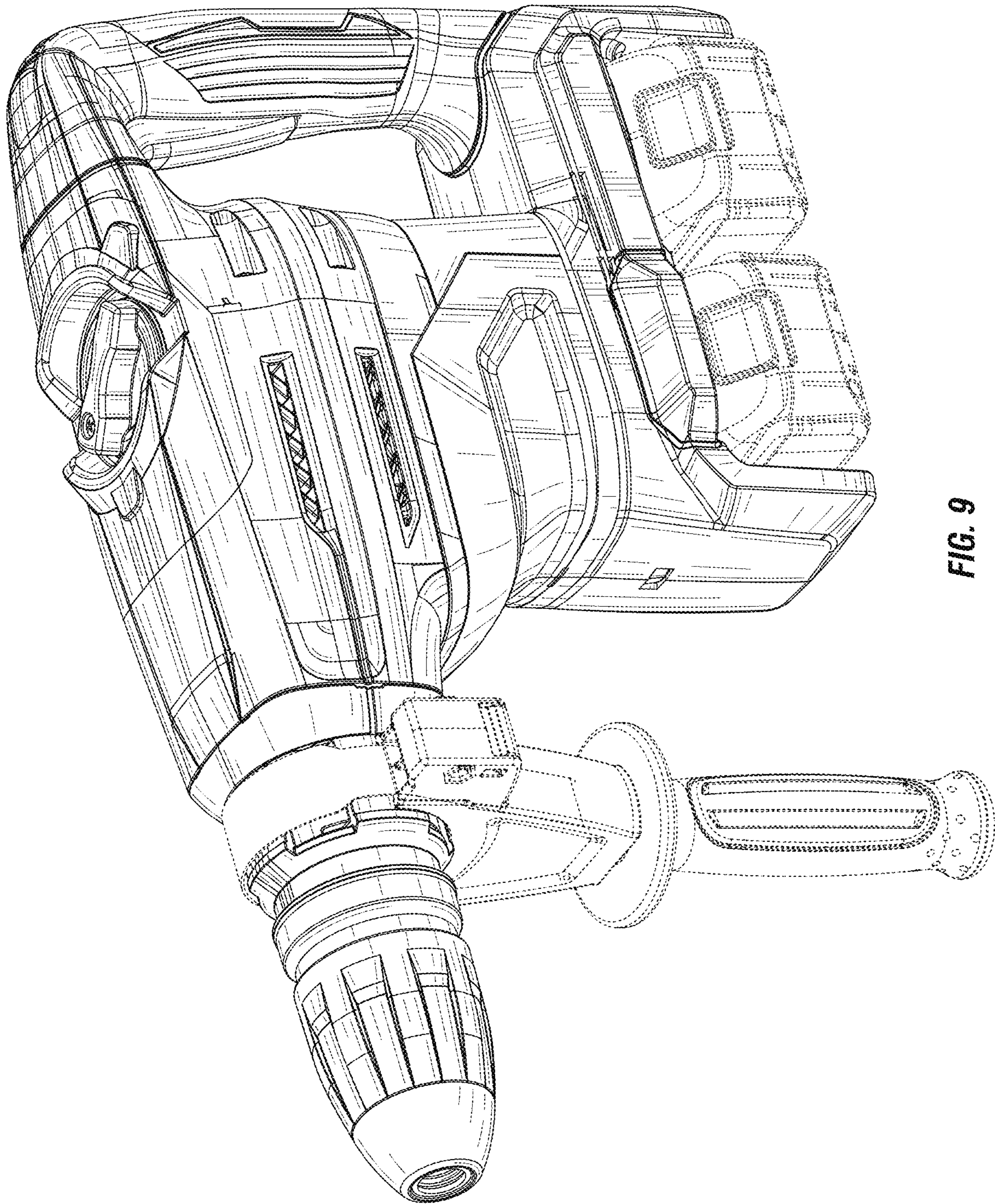


FIG. 9