



US00D838156S

(12) **United States Design Patent**
Cooper et al.

(10) **Patent No.:** **US D838,156 S**

(45) **Date of Patent:** **** Jan. 15, 2019**

(54) **IMPACT DRIVER**

(71) Applicant: **BLACK & DECKER INC.**, New Britain, CT (US)

(72) Inventors: **Joseph B. Cooper**, Baltimore, MD (US); **Jason Busschaert**, Bel Air, MD (US); **Robert Schoch**, Baltimore, MD (US); **David Miller**, Aberdeen, MD (US)

(73) Assignee: **BLACK & DECKER INC.**, New Britain, CT (US)

(**) Term: **15 Years**

(21) Appl. No.: **29/621,949**

(22) Filed: **Oct. 12, 2017**

(51) **LOC (11) Cl.** **08-05**

(52) **U.S. Cl.**
USPC **D8/68**

(58) **Field of Classification Search**
USPC D8/61, 67, 68; 81/57, 57.11, 57.14, 81/57.26, 429, 464, 469; 173/2, 170, 176
CPC B62D 23/005; B62D 29/00; B62D 29/043; B62D 31/00; B62D 33/046; B62D 35/00; B62D 35/001; B60Q 1/0005
See application file for complete search history.

(56) **References Cited**

U.S. PATENT DOCUMENTS

D392,863 S *	3/1998	Sugimoto	D8/68
D477,205 S *	7/2003	Sakai	D8/68
D489,955 S *	5/2004	Concari	D8/68
D493,344 S *	7/2004	Watson	D8/68
D499,945 S *	12/2004	Sugawara	D8/68
D508,642 S *	8/2005	Kokawa	D8/68
D512,891 S *	12/2005	Aglassinger	D8/68

D515,375 S *	2/2006	Tsang	D8/68
D533,423 S *	12/2006	Ino	D8/68
D578,854 S *	10/2008	Lopano	D8/68
D579,743 S *	11/2008	Lopano	D8/68
D584,123 S *	1/2009	Lopano	D8/68
D614,468 S *	4/2010	Aglassinger	D8/68
D617,622 S *	6/2010	Lopano	D8/68
D644,494 S *	9/2011	Lopano	D8/68
D656,804 S *	4/2012	Murray	D8/68
D691,444 S *	10/2013	Tirone	D8/68
D700,822 S *	3/2014	Tschopp	D8/68
D820,656 S *	6/2018	Waldron	D8/68

OTHER PUBLICATIONS

Pictures of prior art of DeWalt 20v MAX XR 1/4" 3-Speed Impact Driver DCF887B www.dewalt.com/en-us/products/power-tools/impact-drivers-and-wrenches/20v-max-xr-14-3speed-impact-driver-bare/DCF887B; accessed on Aug. 28, 2018.

* cited by examiner

Primary Examiner — Austin Murphy
(74) *Attorney, Agent, or Firm* — Stephen R. Valancius

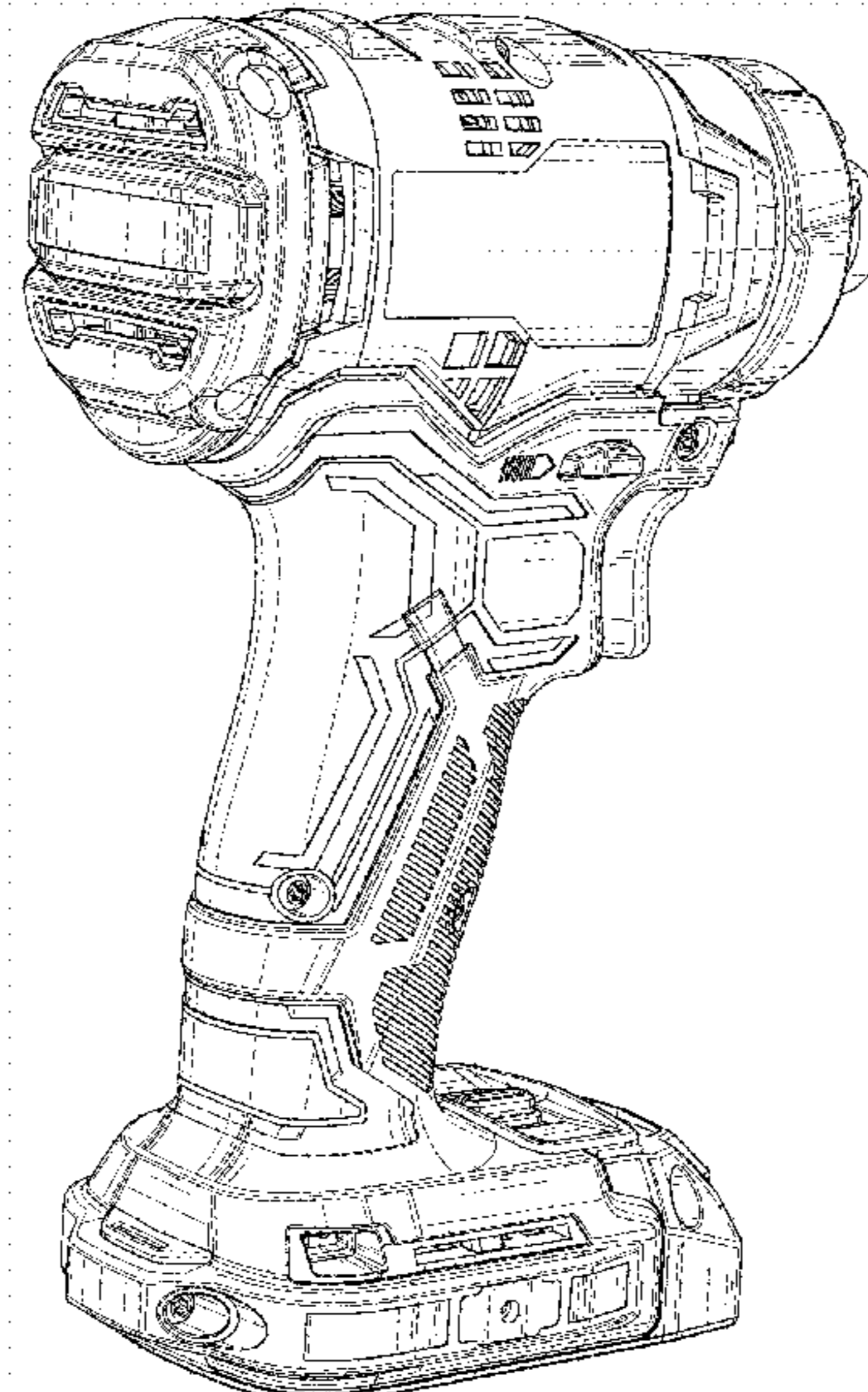
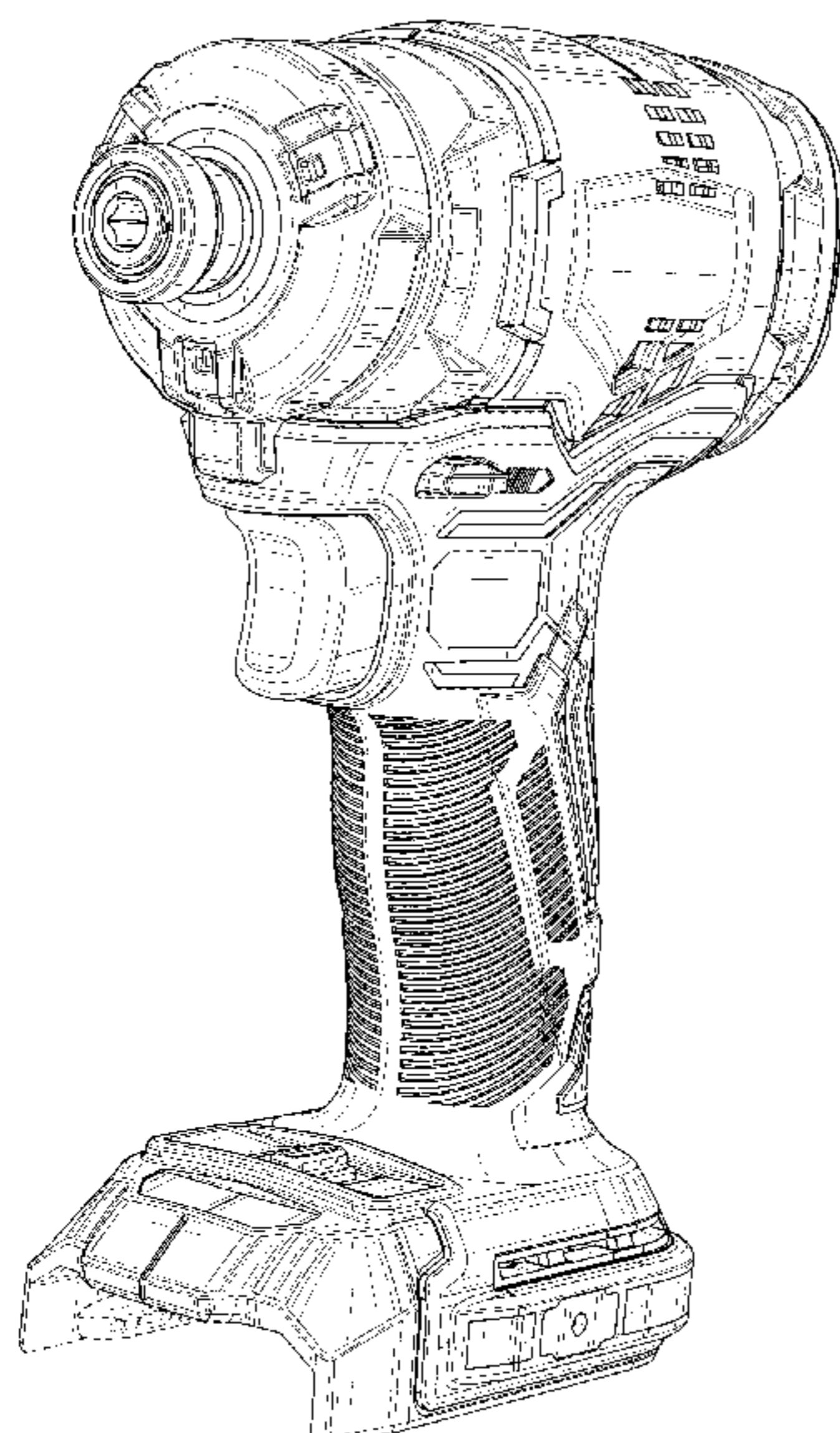
(57) **CLAIM**

The ornamental design for an impact driver, as shown and described.

DESCRIPTION

FIG. 1 is a perspective left view of an impact driver showing my new design;
FIG. 2 is a perspective right side view thereof;
FIG. 3 is a front view thereof;
FIG. 4 is a rear view thereof;
FIG. 5 is a left side view thereof;
FIG. 6 is a right side view thereof
FIG. 7 is a bottom plan view; and,
FIG. 8 is a top plan view thereof.

1 Claim, 8 Drawing Sheets



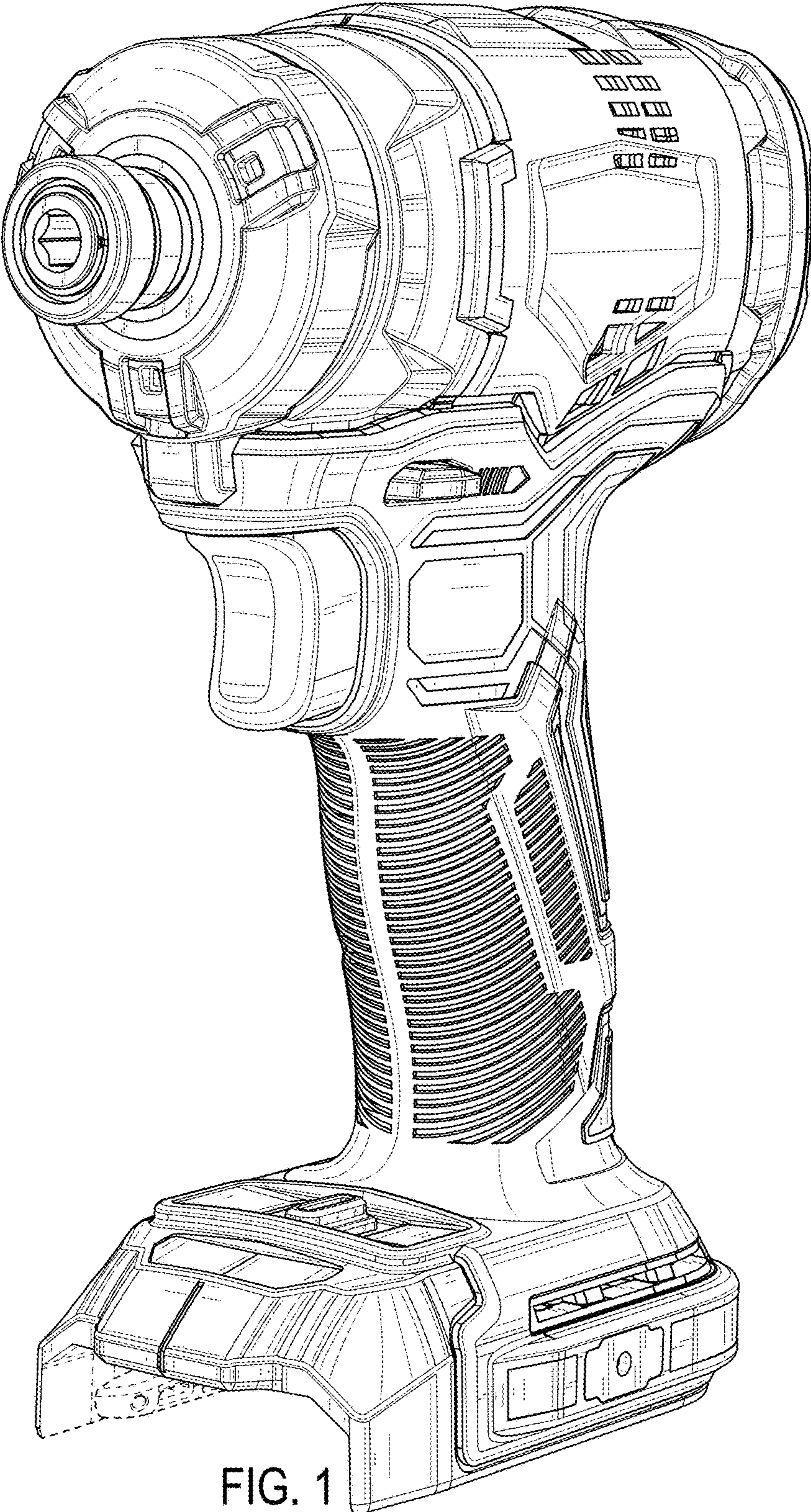


FIG. 1

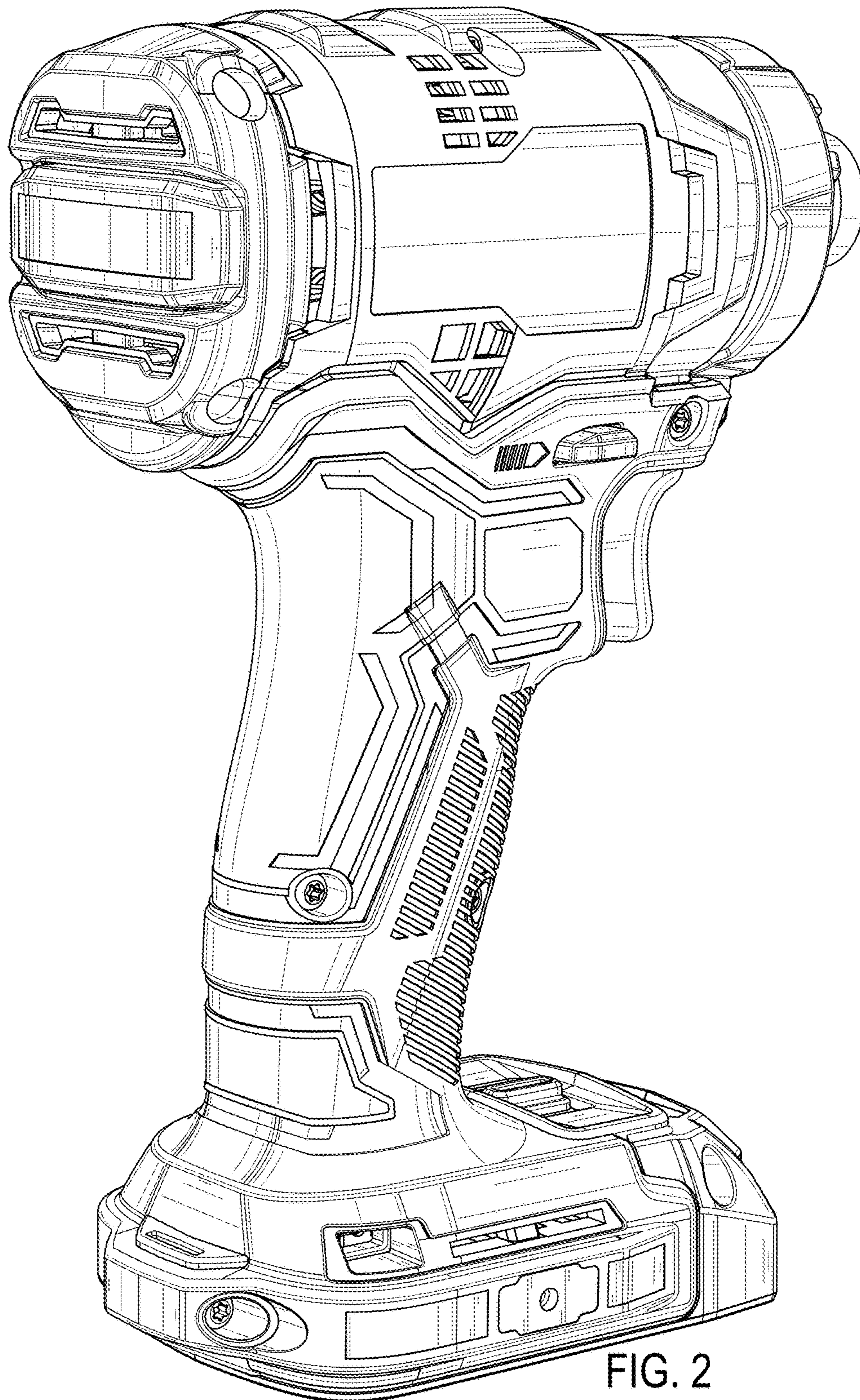


FIG. 2

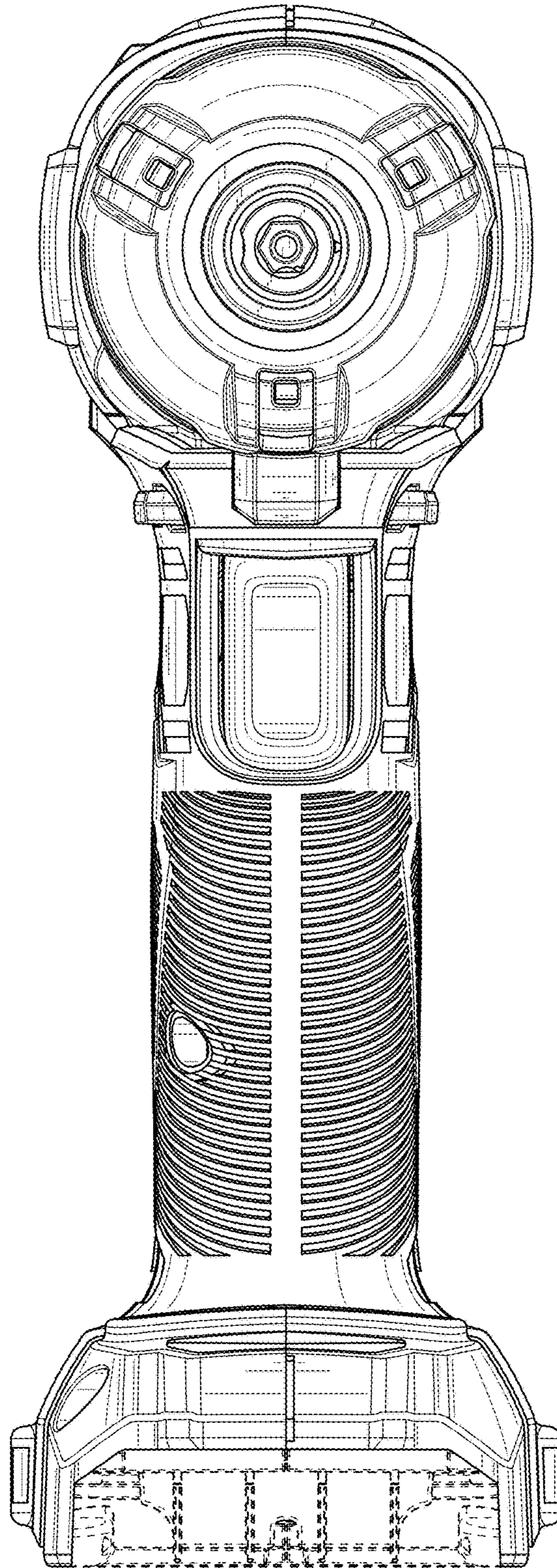


FIG. 3

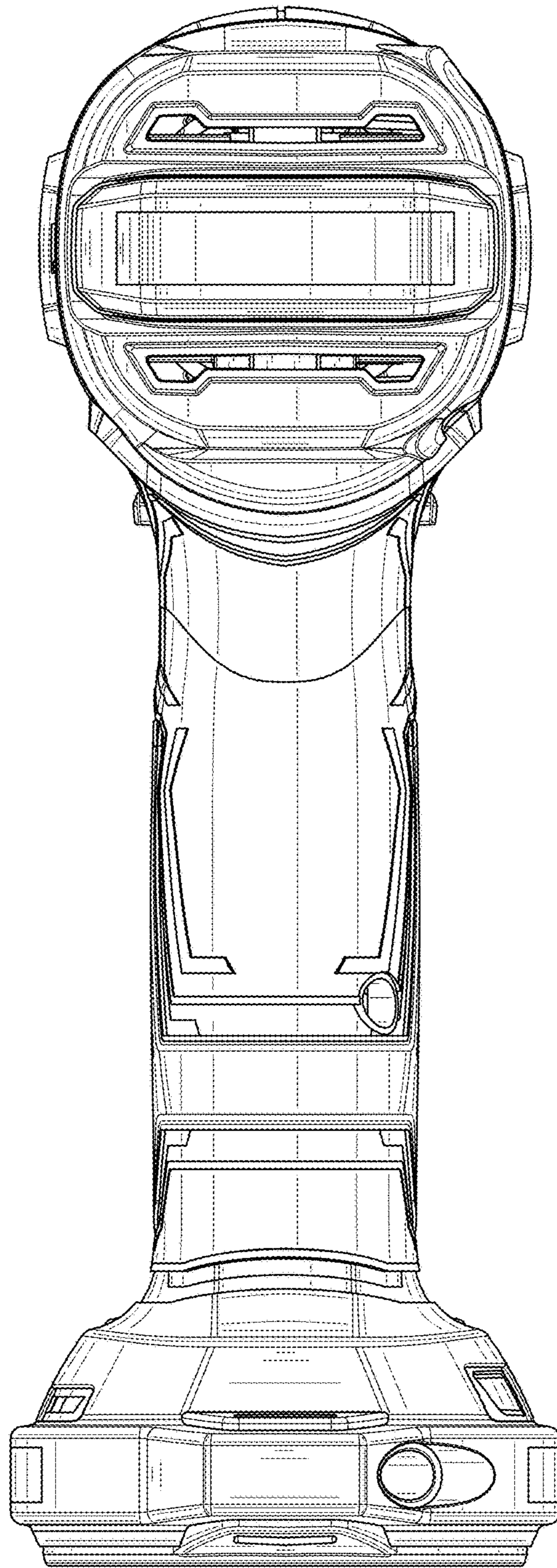


FIG. 4

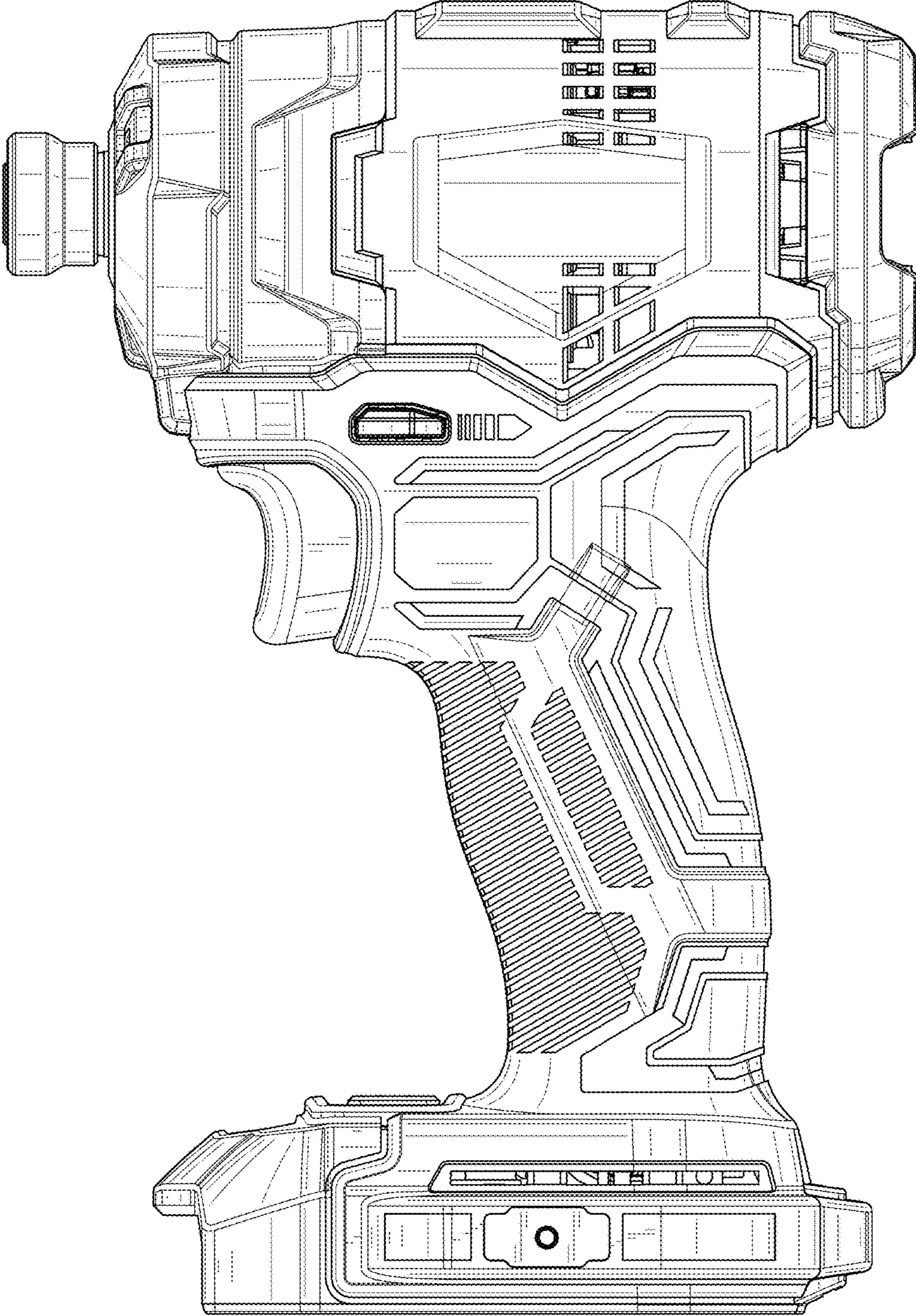


FIG. 5

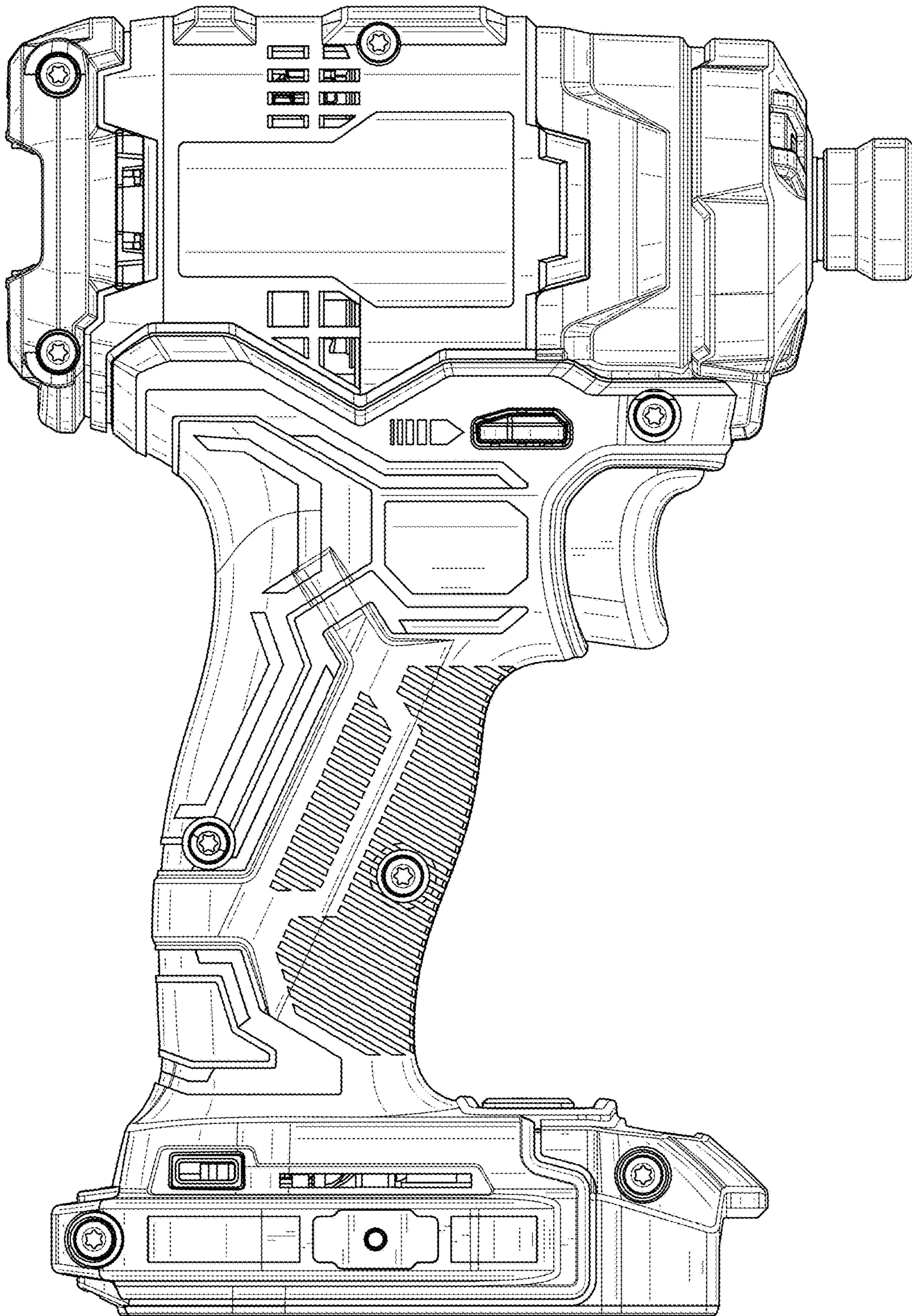


FIG. 6

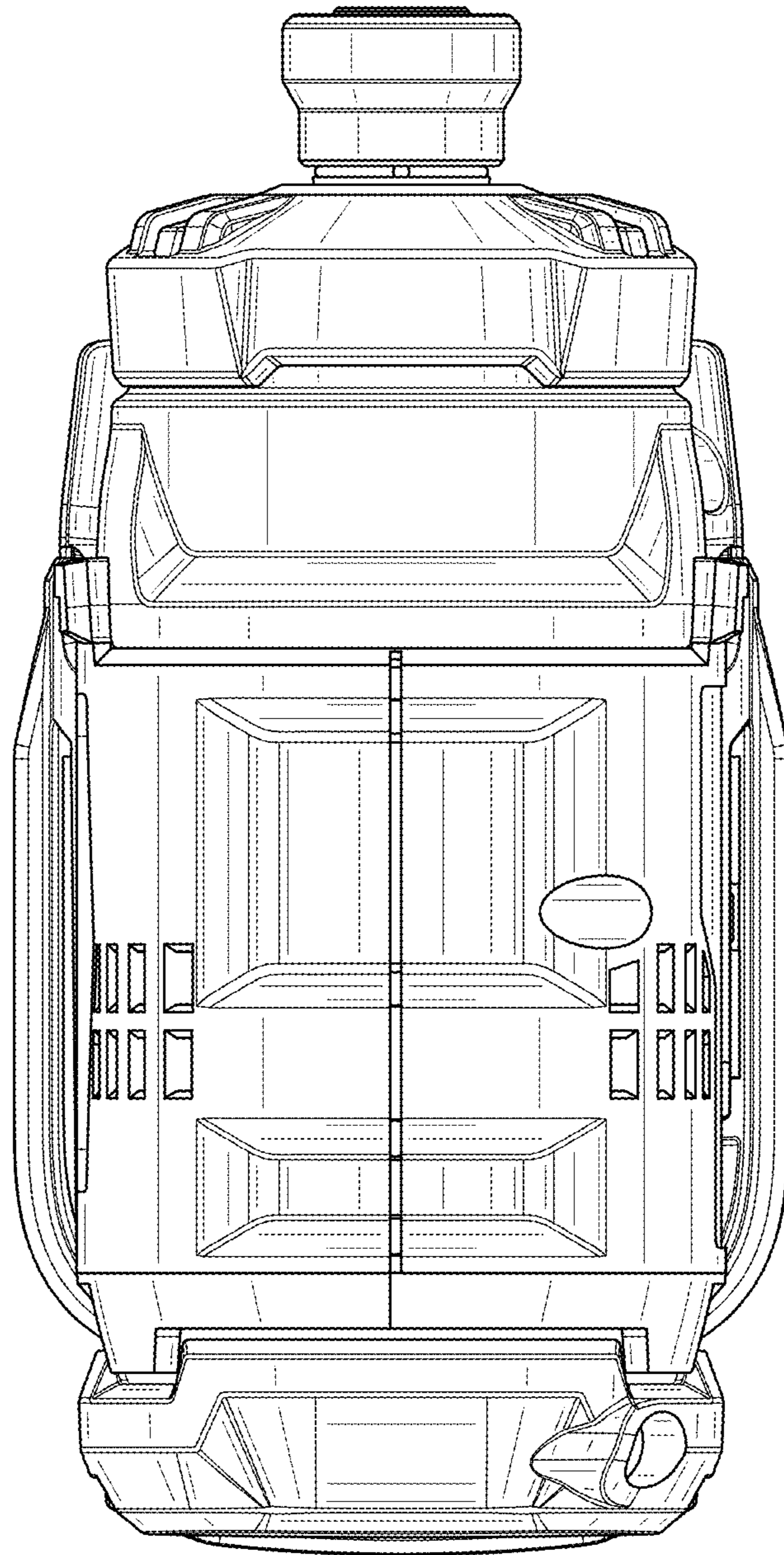


FIG. 7

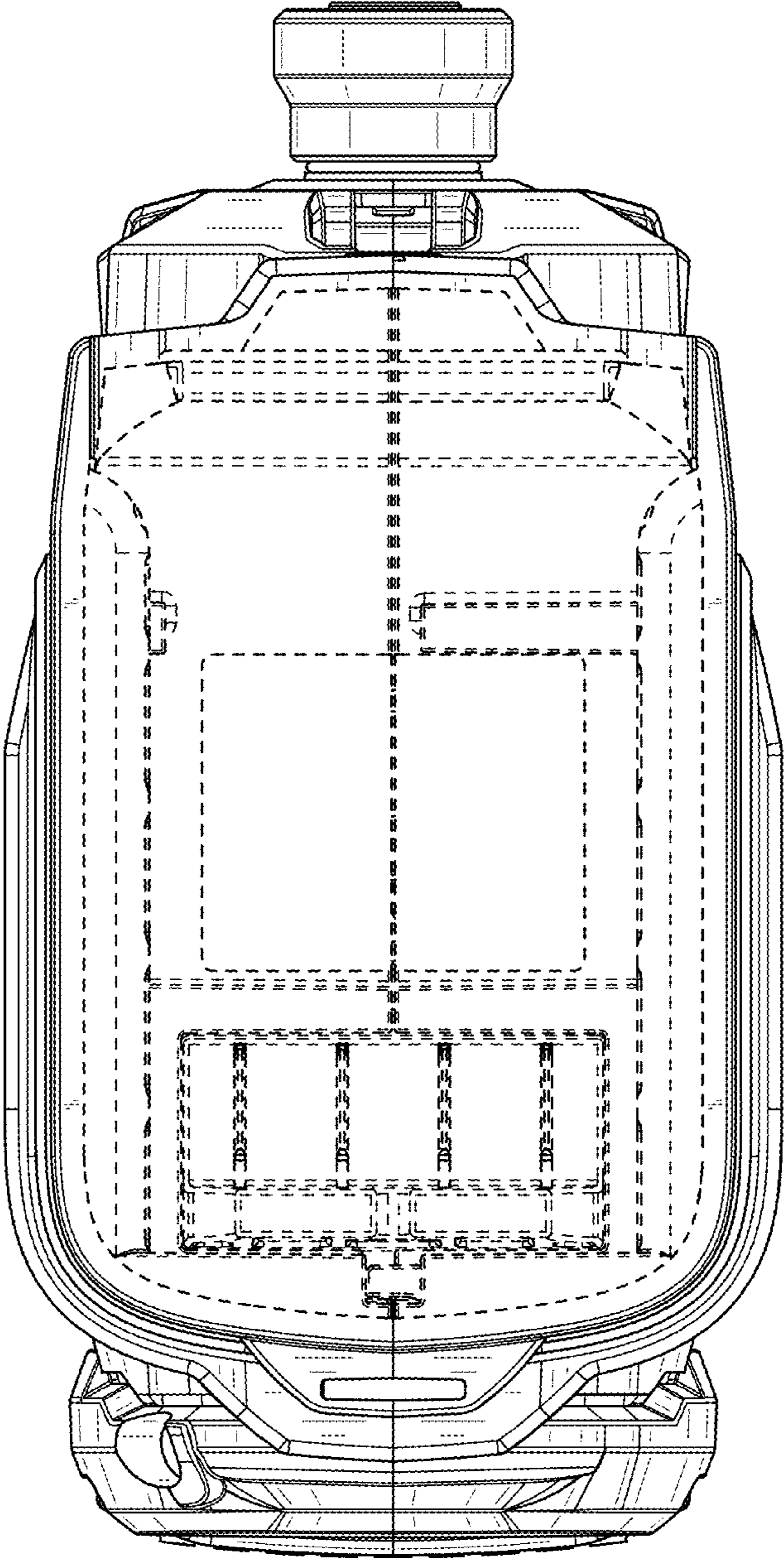


FIG. 8