



US00D838155S

(12) **United States Design Patent** (10) **Patent No.:** **US D838,155 S**  
**Chen** (45) **Date of Patent:** **\*\* Jan. 15, 2019**

- (54) **PART OF HAND AND MACHINE TOOLS**
- (71) Applicant: **APACH INDUSTRIAL CO., LTD.,**  
Taichung (CN)
- (72) Inventor: **Han-Sheng Chen,** Taichung (TW)
- (73) Assignee: **Apach Industrial Co., Ltd.,** Taichung  
(TW)
- (\*\*) Term: **15 Years**
- (21) Appl. No.: **29/609,877**
- (22) Filed: **Jul. 6, 2017**
- (51) **LOC (11) Cl.** ..... **08-05**
- (52) **U.S. Cl.**  
USPC ..... **D8/68**
- (58) **Field of Classification Search**  
USPC ..... D8/61, 67, 68  
CPC .... B62D 23/005; B62D 29/00; B62D 29/043;  
B62D 31/00; B62D 33/046; B62D 35/00;  
B62D 35/001; B60Q 1/0005  
See application file for complete search history.

D476,210 S *	6/2003	Chen	.....	D8/68
D496,243 S *	9/2004	Huang	.....	D8/68
D497,529 S *	10/2004	Price	.....	D8/68
D497,787 S *	11/2004	Liao	.....	D8/68
D504,299 S *	4/2005	Leasure	.....	D8/68
D504,604 S *	5/2005	Leasure	.....	D8/68
D513,690 S *	1/2006	Etter	.....	D8/68
D537,690 S *	3/2007	Su	.....	D8/68
D540,641 S *	4/2007	Clay	.....	D8/68
D605,490 S *	12/2009	Aglassinger	.....	D8/68
7,673,702 B2 *	3/2010	Johnson	.....	B25B 21/00 173/109
D664,413 S *	7/2012	Steinfels	.....	D8/68
D775,919 S *	1/2017	Lee	.....	D8/68
D801,773 S *	11/2017	Nystrom	.....	D8/68
D820,656 S *	6/2018	Waldron	.....	D8/68

\* cited by examiner

*Primary Examiner* — Darlington Ly  
(74) *Attorney, Agent, or Firm* — Wang Law Firm, Inc.

(57) **CLAIM**

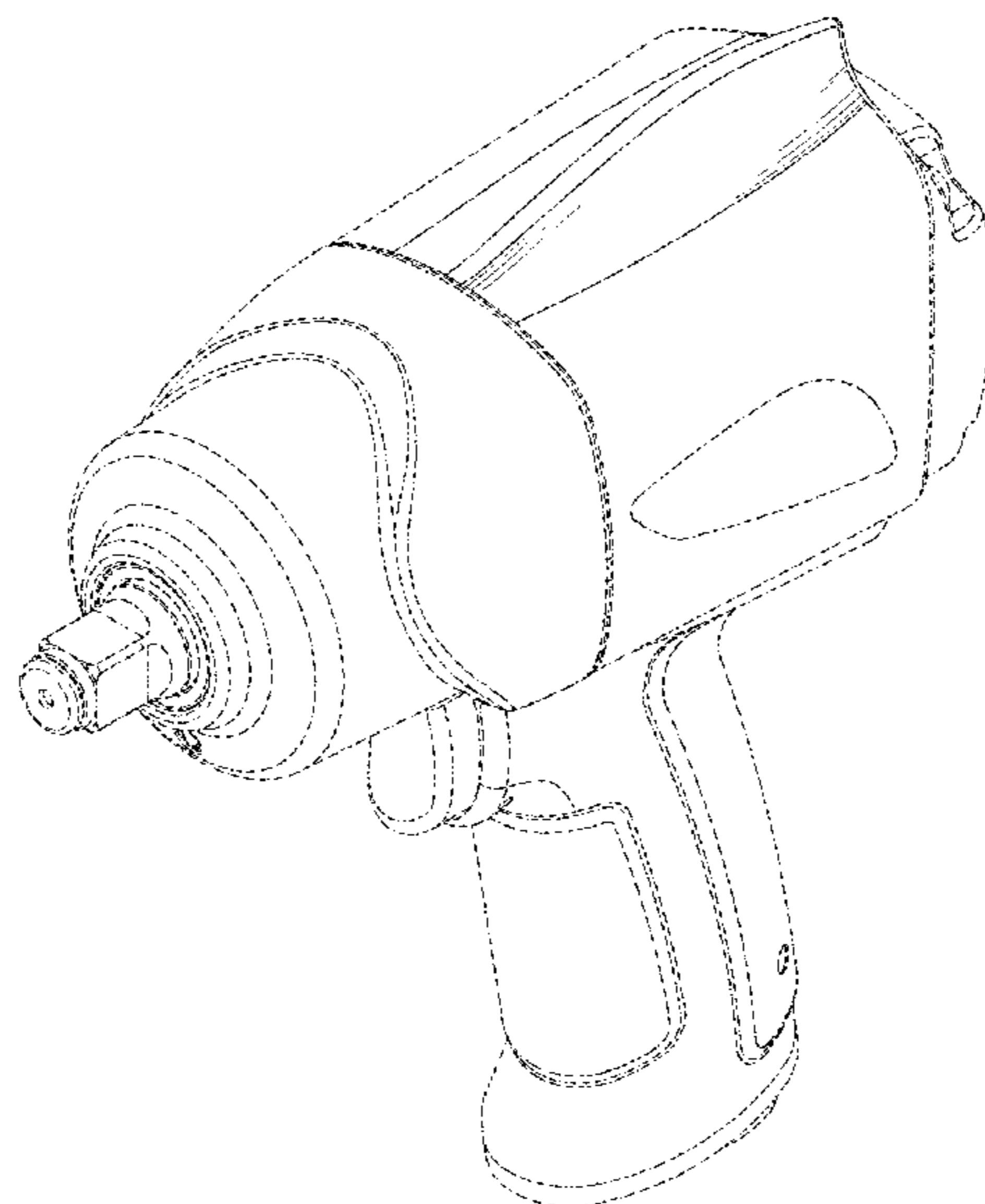
The ornamental design for a part of hand and machine tools, as shown and described.

**DESCRIPTION**

FIG. 1 is a perspective view of a part of hand and machine tools showing my new design;  
FIG. 2 is a front elevation view thereof;  
FIG. 3 is a rear elevation view thereof;  
FIG. 4 is a left side elevation view thereof;  
FIG. 5 is a right side elevation view thereof;  
FIG. 6 is a top plan view thereof; and,  
FIG. 7 is a bottom plan view thereof.  
The broken line showing portions of an impact wrench is provided for the purpose of illustrating environmental structure and forms no part of the claimed design.

**1 Claim, 7 Drawing Sheets**

- (56) **References Cited**  
U.S. PATENT DOCUMENTS
- |              |         |           |       |       |
|--------------|---------|-----------|-------|-------|
| D382,184 S * | 8/1997  | Sung      | ..... | D8/61 |
| D388,678 S * | 1/1998  | Bantly    | ..... | D8/68 |
| D396,620 S * | 8/1998  | Sung      | ..... | D8/68 |
| D403,564 S * | 1/1999  | Izumisawa | ..... | D8/68 |
| D410,181 S * | 5/1999  | Sung      | ..... | D8/68 |
| D410,830 S * | 6/1999  | Pusateri  | ..... | D8/61 |
| D434,297 S * | 11/2000 | Iritani   | ..... | D8/68 |
| D434,958 S * | 12/2000 | Izumisawa | ..... | D8/68 |
| D441,628 S * | 5/2001  | Bass      | ..... | D8/68 |
| D461,110 S * | 8/2002  | Izumisawa | ..... | D8/68 |
| D469,673 S * | 2/2003  | Sliker    | ..... | D8/68 |



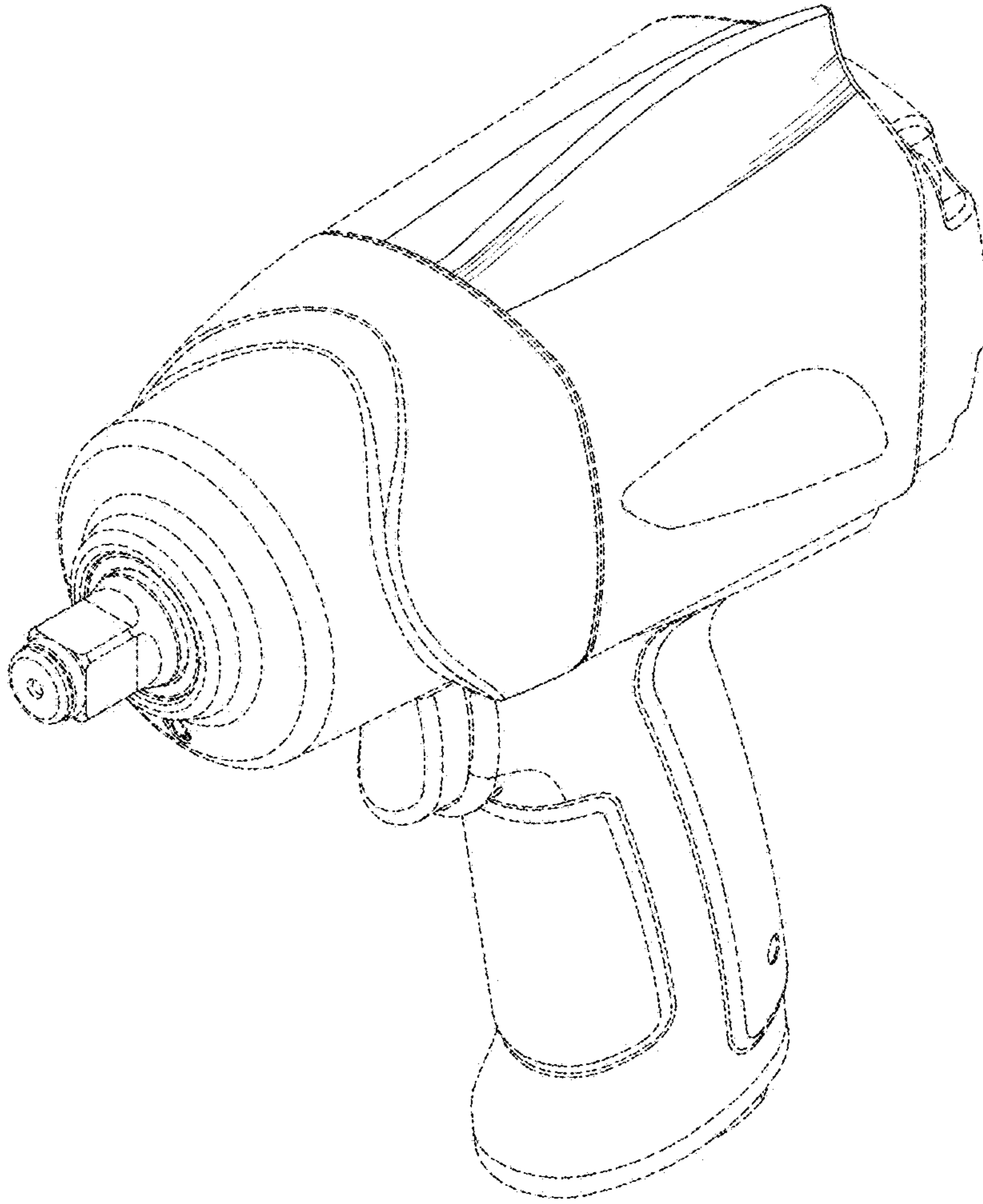


FIG.1

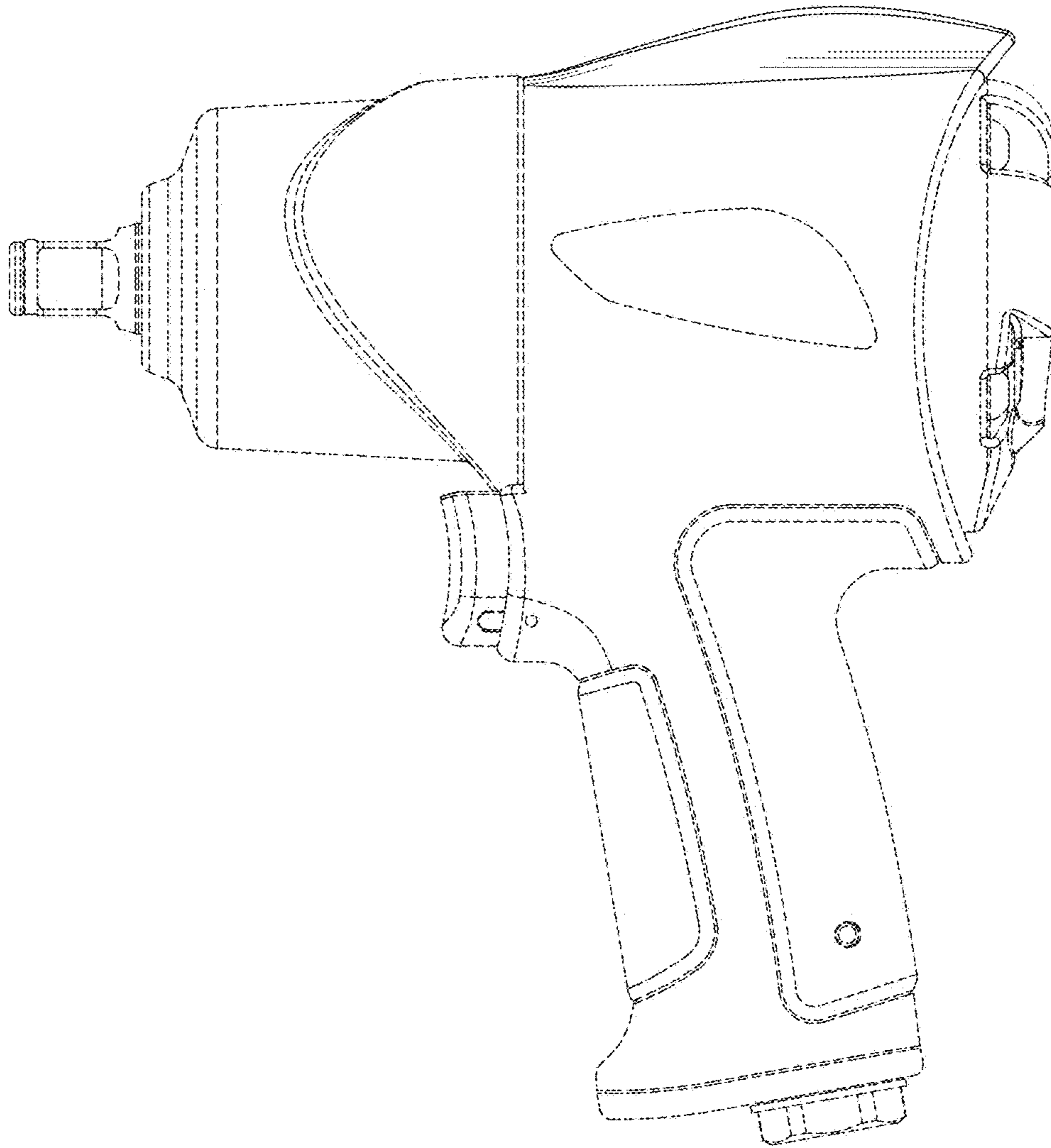


FIG.2

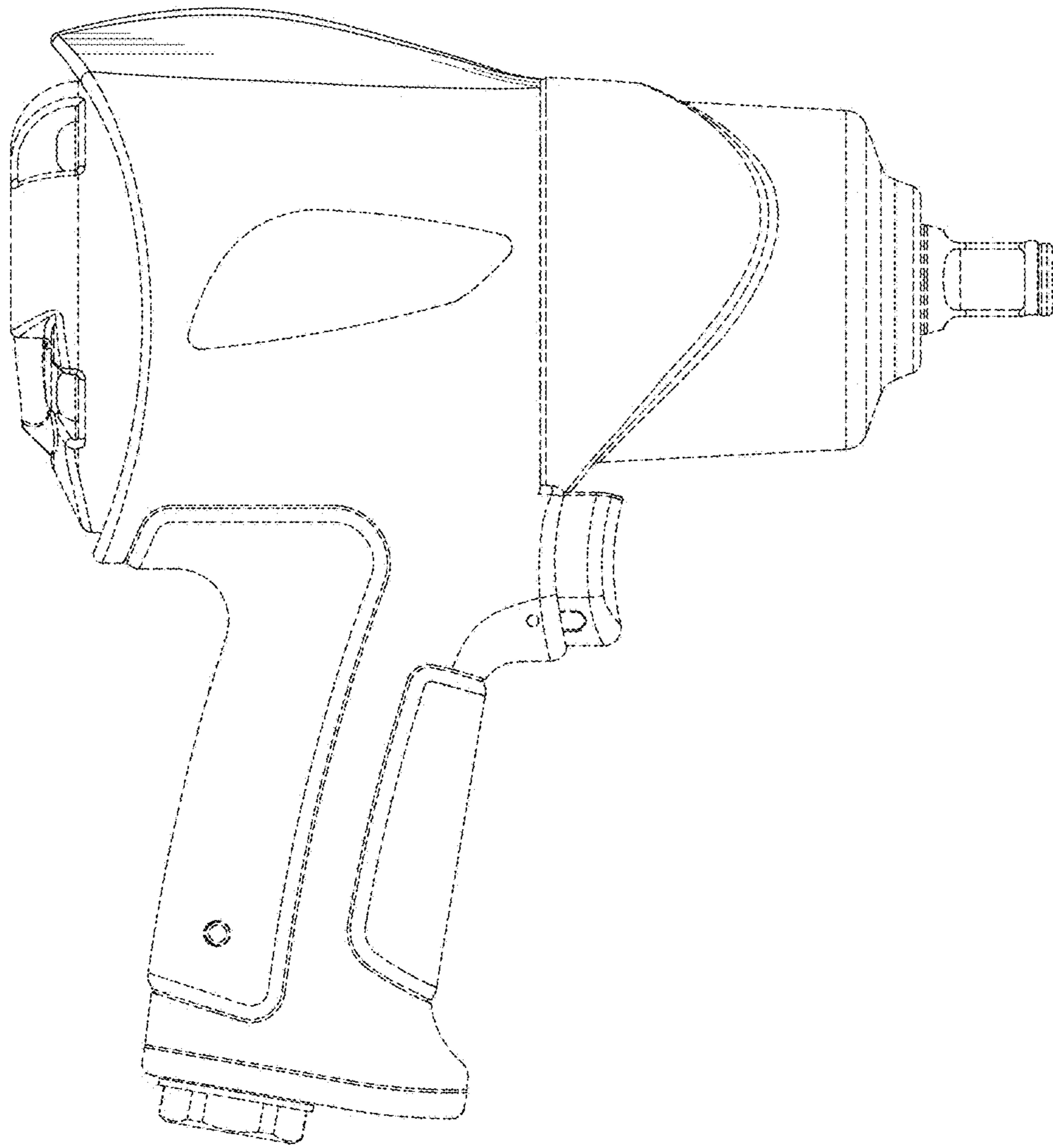


FIG.3

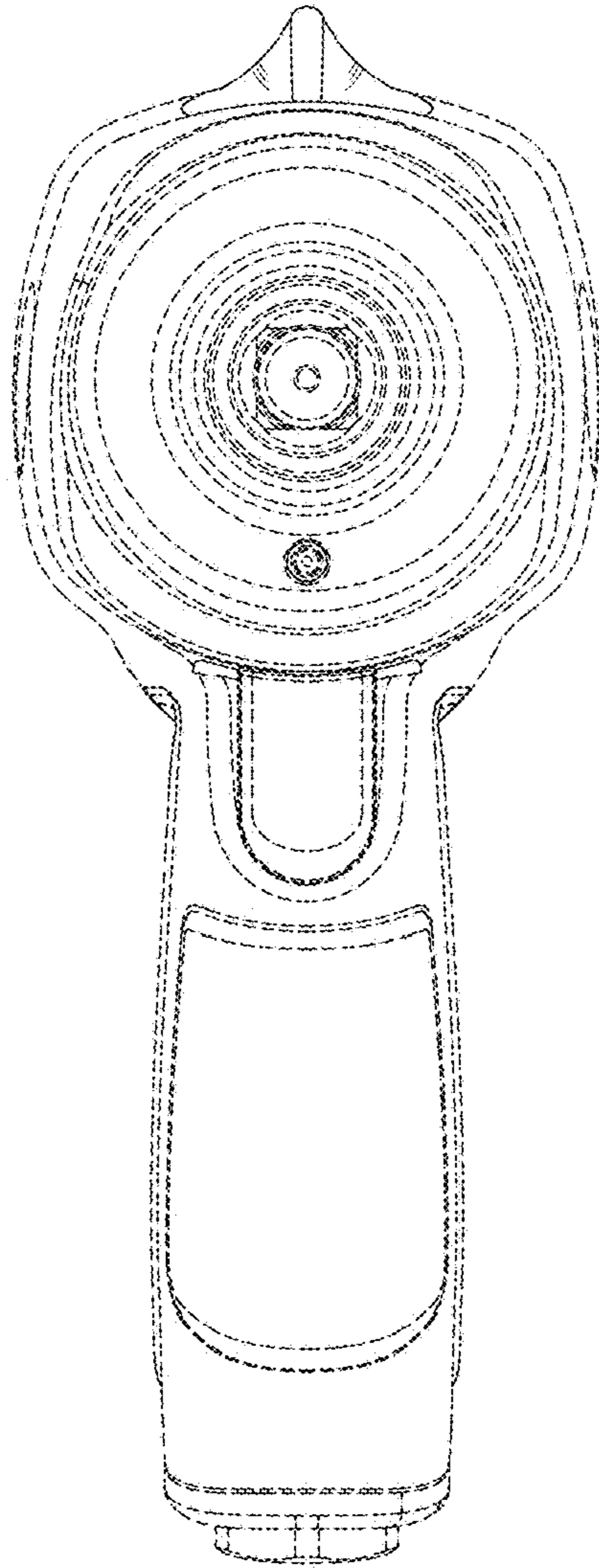


FIG.4



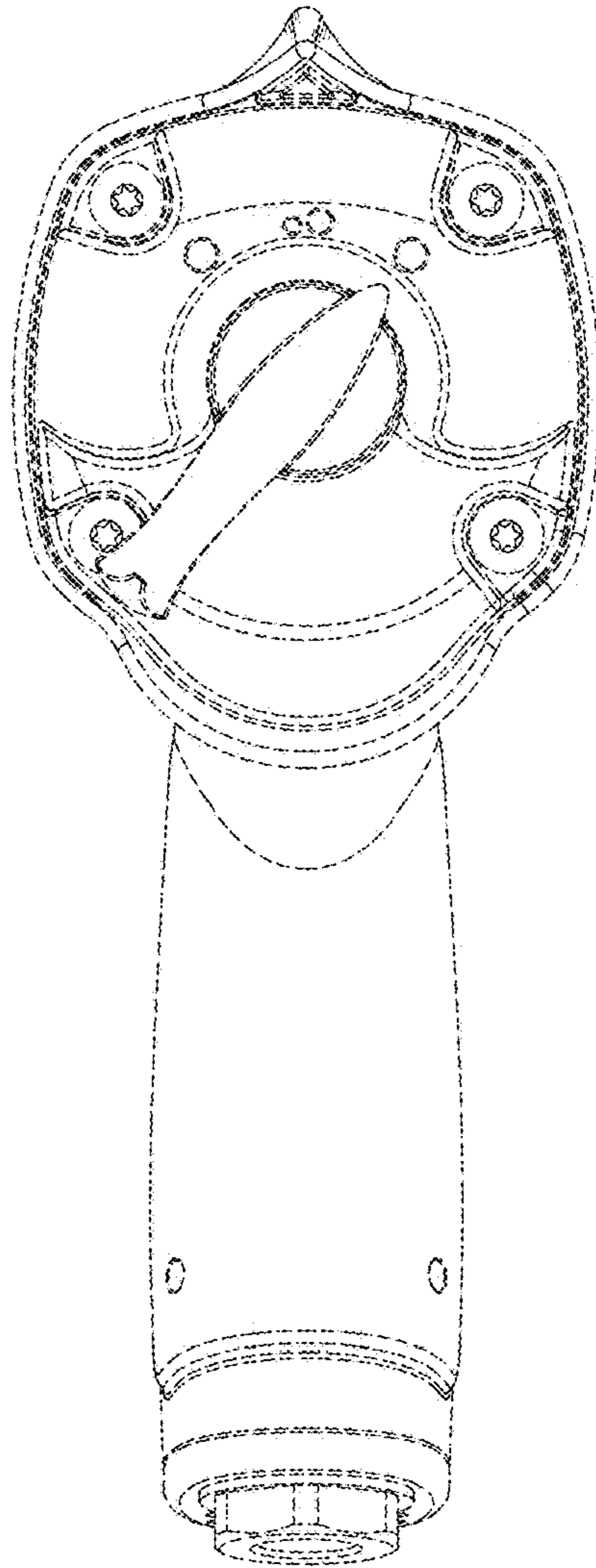


FIG.5

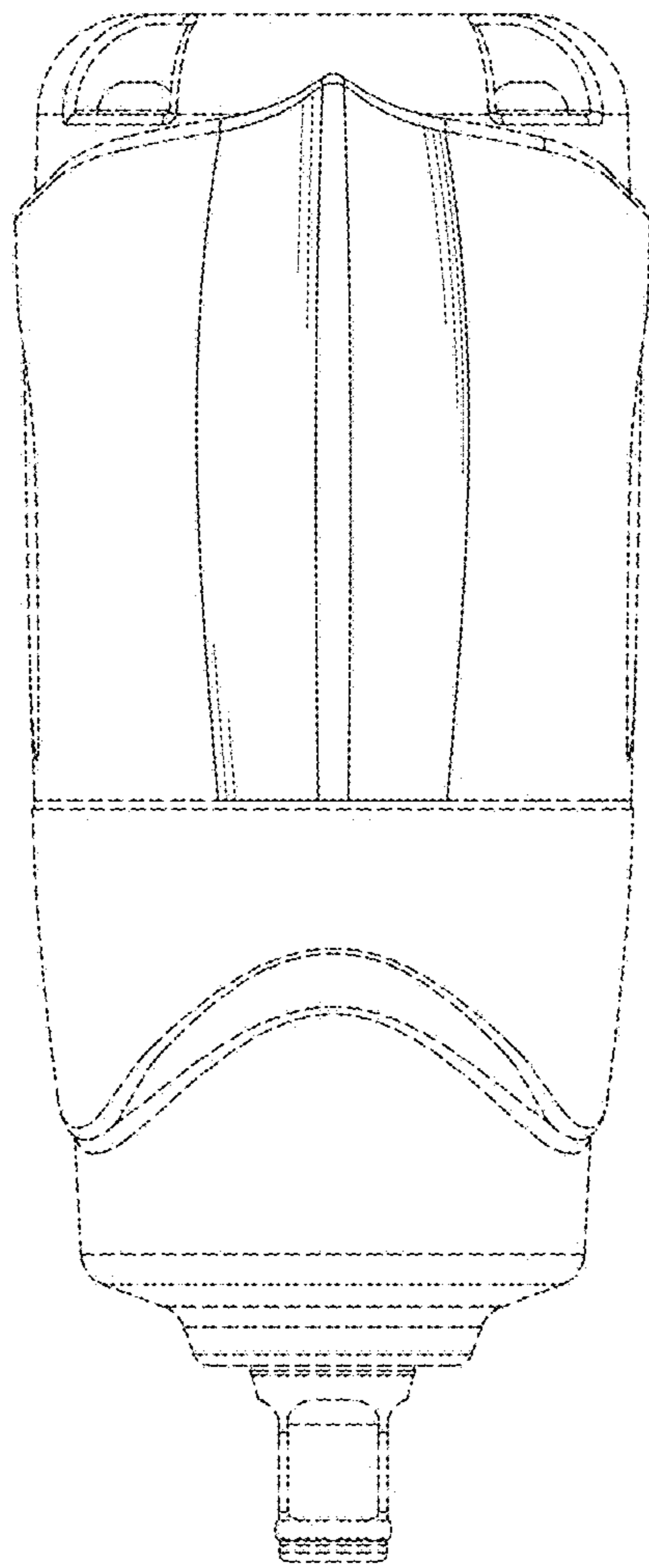


FIG.6

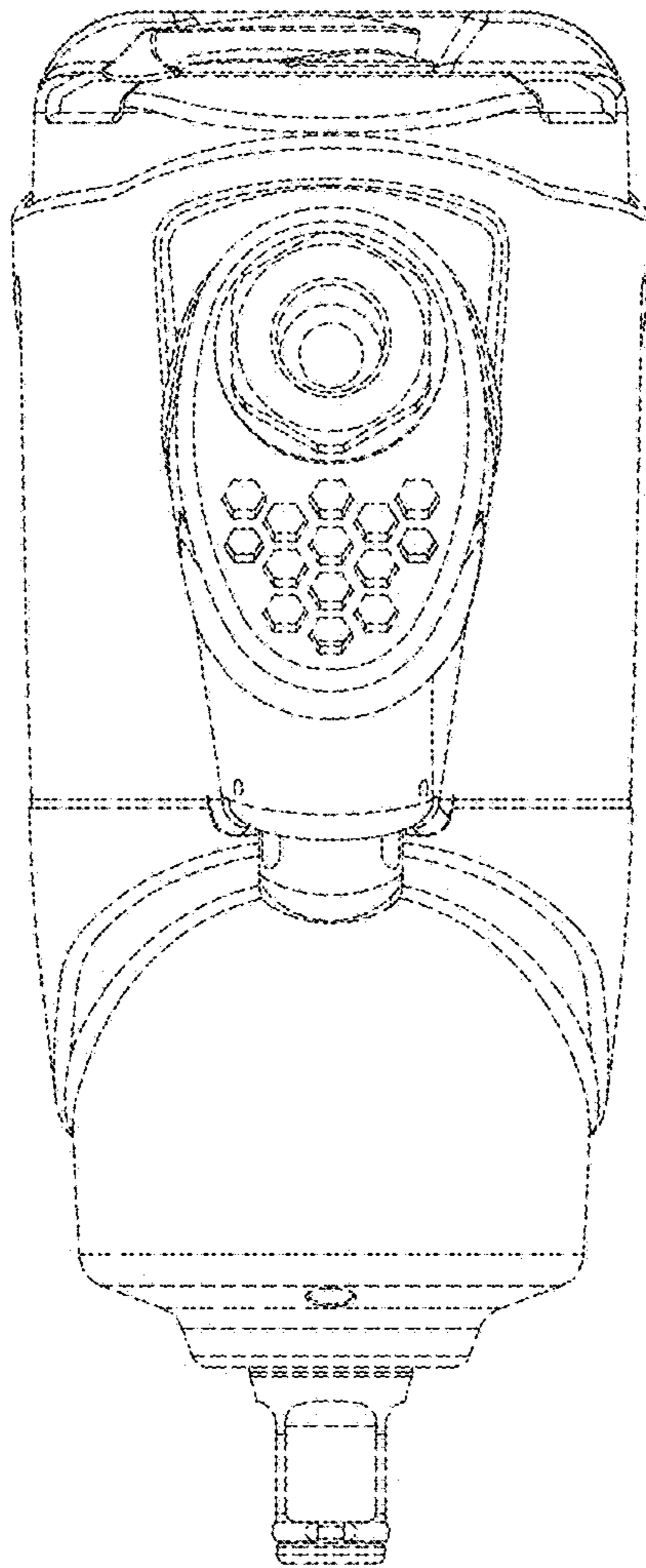


FIG. 7