

US00D838153S

(12) **United States Design Patent** (10) **Patent No.:** **US D838,153 S**
Hu (45) **Date of Patent:** **** Jan. 15, 2019**

(54) **RATCHET GEAR**
(71) Applicant: **Bobby Hu**, Taichung (TW)
(72) Inventor: **Bobby Hu**, Taichung (TW)
(**) Term: **15 Years**
(21) Appl. No.: **29/632,127**
(22) Filed: **Jan. 5, 2018**
(51) **LOC (11) Cl.** **08-05**
(52) **U.S. Cl.**
USPC **D8/25**
(58) **Field of Classification Search**
USPC D8/21, 25, 27, 28, 29; 81/58, 58.2, 119,
81/124.2, 124.4, 125.1, 186, 121.1
CPC B25B 13/02; B25B 13/08; B25B 13/04;
B25B 13/065; B25B 13/06
See application file for complete search history.

D498,777 S * 11/2004 Hu D15/148
D665,237 S * 8/2012 Wei D8/21
D749,384 S * 2/2016 Chang D8/25

* cited by examiner

Primary Examiner — Randall H Gholson
(74) *Attorney, Agent, or Firm* — WPAT, PC

(57) **CLAIM**

The ornamental design for a ratchet gear, as shown and described.

DESCRIPTION

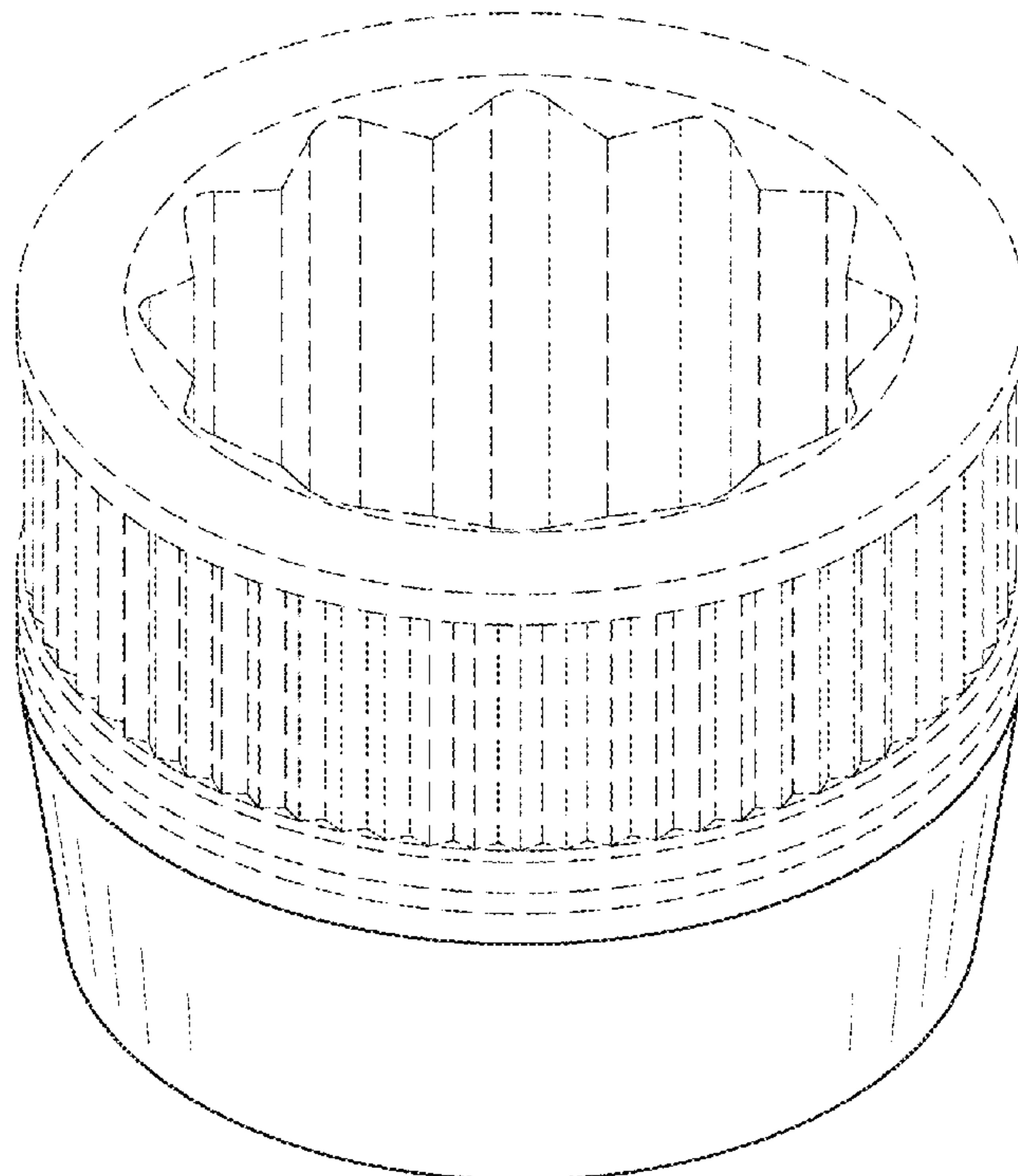
FIG. 1 is a perspective view of a ratchet gear showing my new design;
FIG. 2 is a front side view thereof, the rear, left and right side views being the same;
FIG. 3 is a top plan view thereof;
FIG. 4 is a bottom plan view thereof;
FIG. 5 is a cross sectional view taken along lines A-A from FIG. 2 thereof; and,
FIG. 6 is a cross sectional view taken along lines B-B from FIG. 2 thereof.
The broken lines shown are included for the purpose of illustrating the unclaimed portions of the article and form no part of the claim.

(56) **References Cited**

U.S. PATENT DOCUMENTS

5,685,204 A * 11/1997 Braun B25B 13/463
81/60
6,282,992 B1 * 9/2001 Hu B25B 13/463
81/60

1 Claim, 6 Drawing Sheets



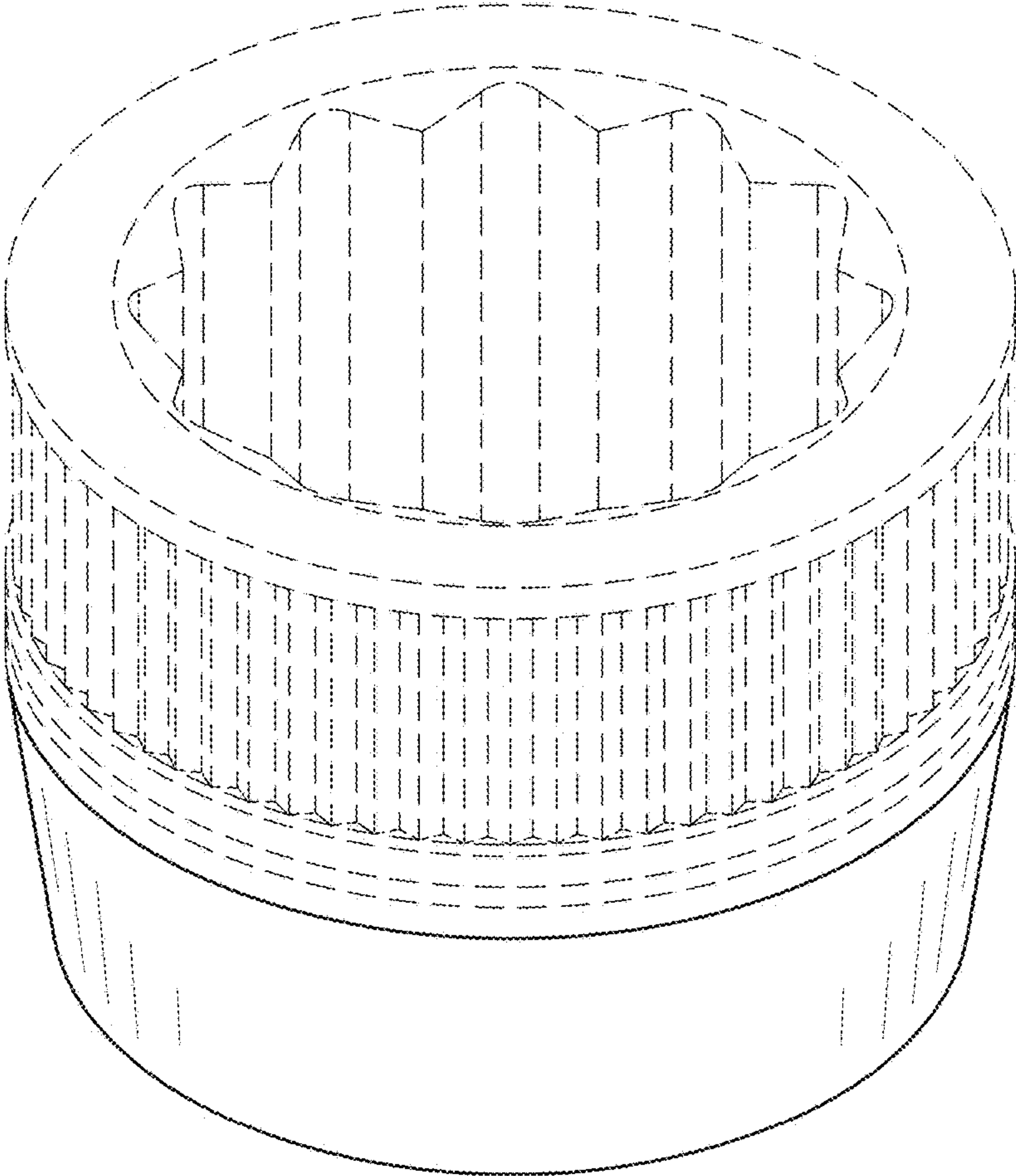


FIG. 1

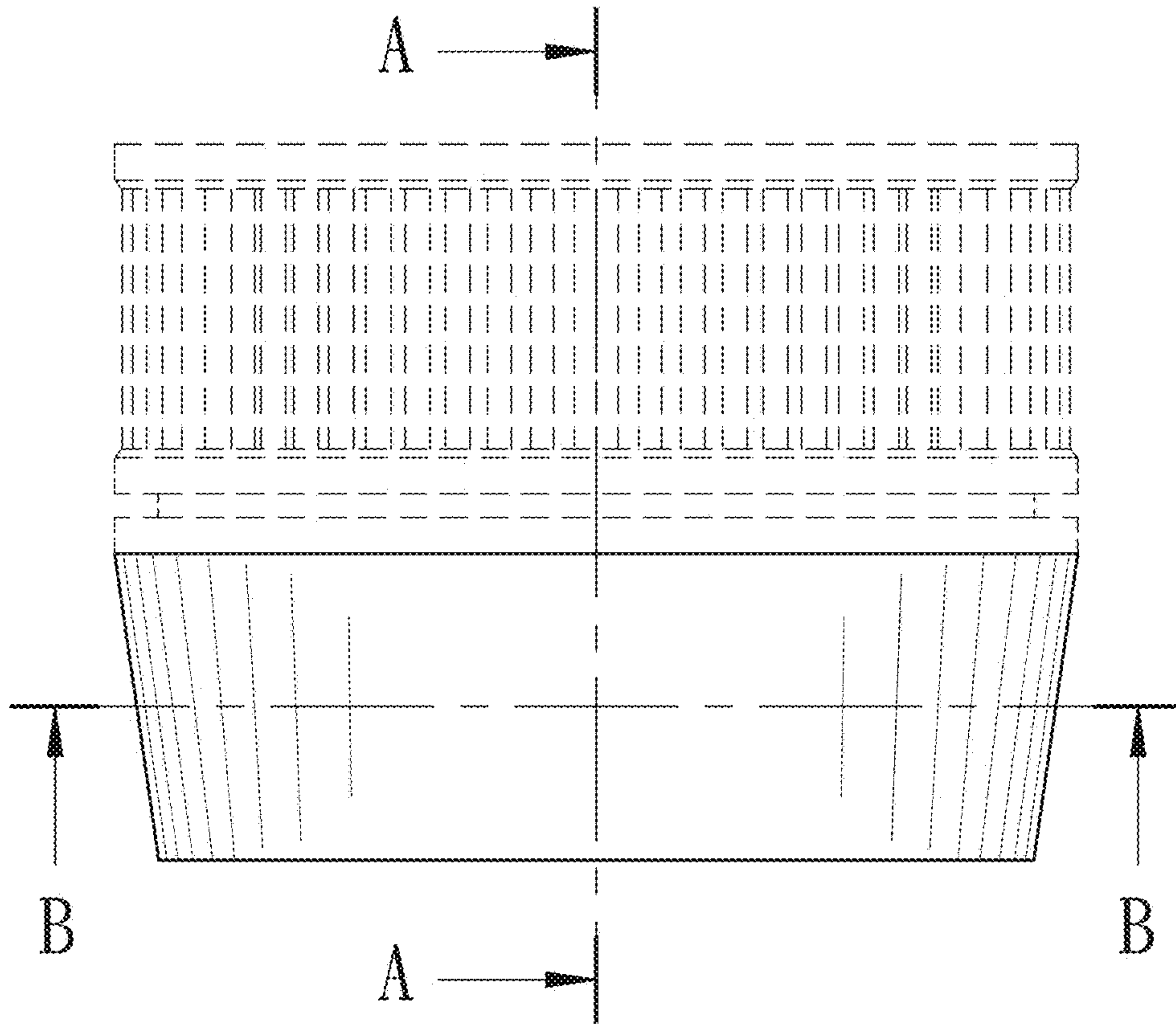


FIG. 2

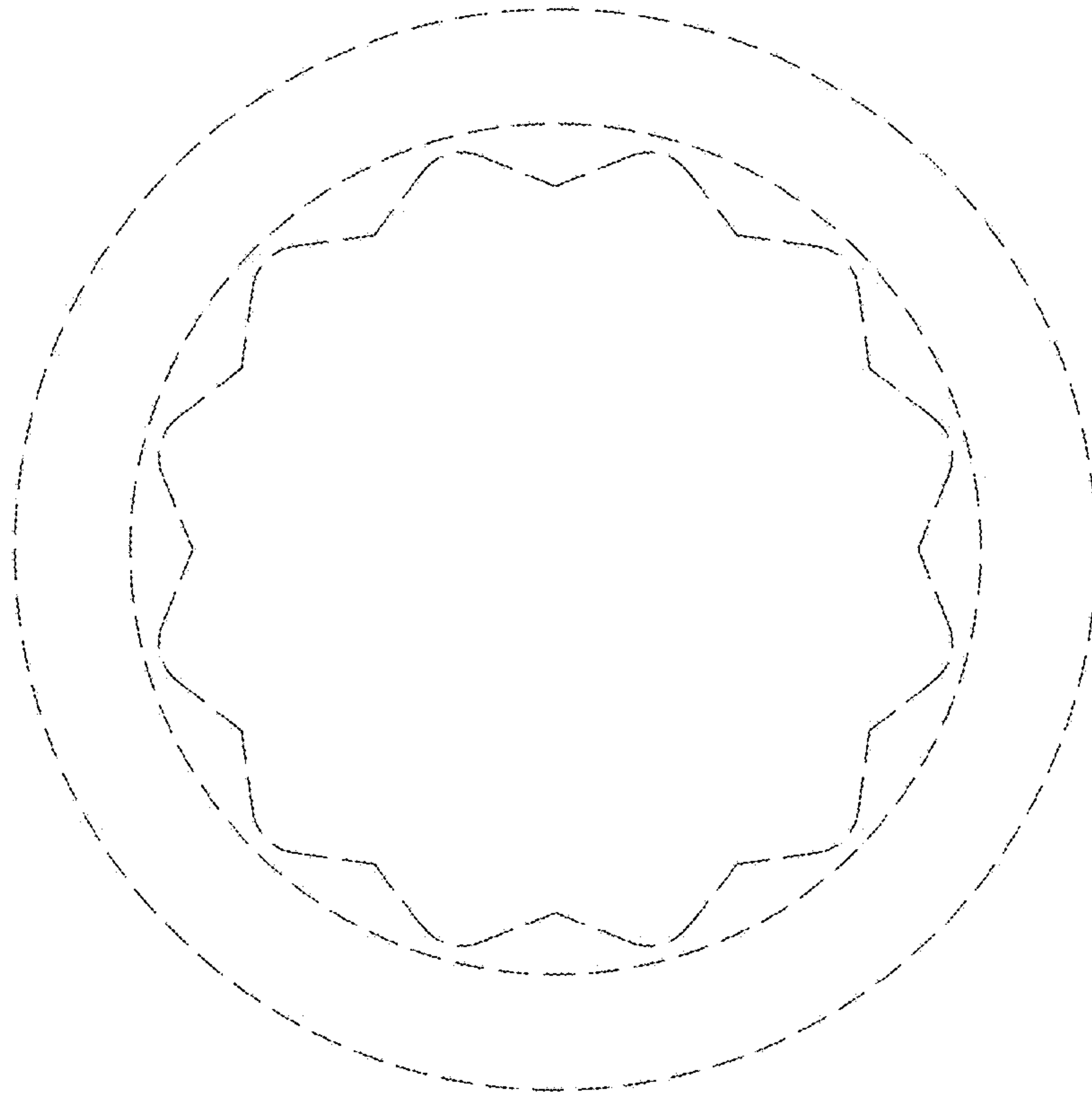


FIG. 3

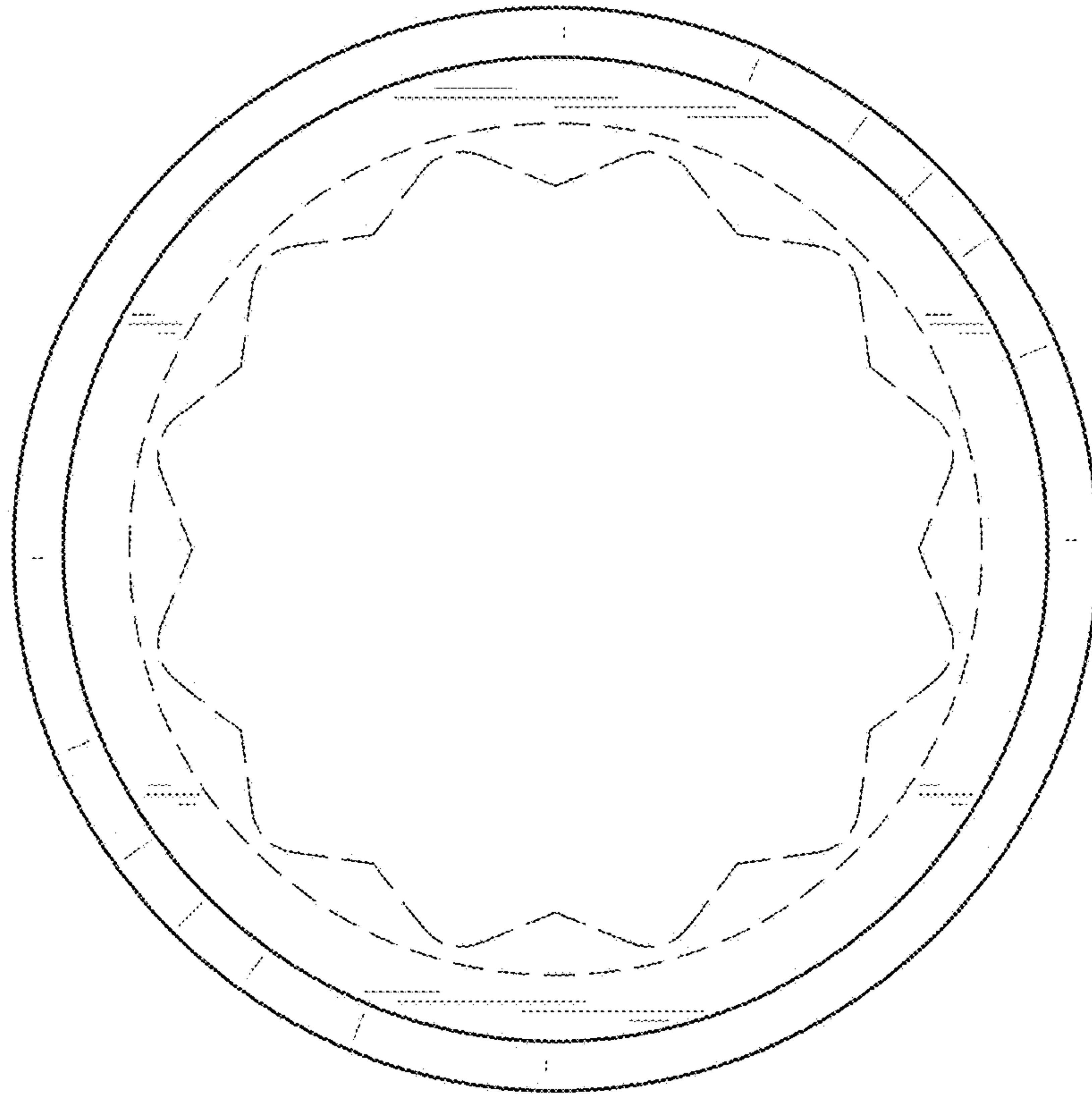


FIG. 4

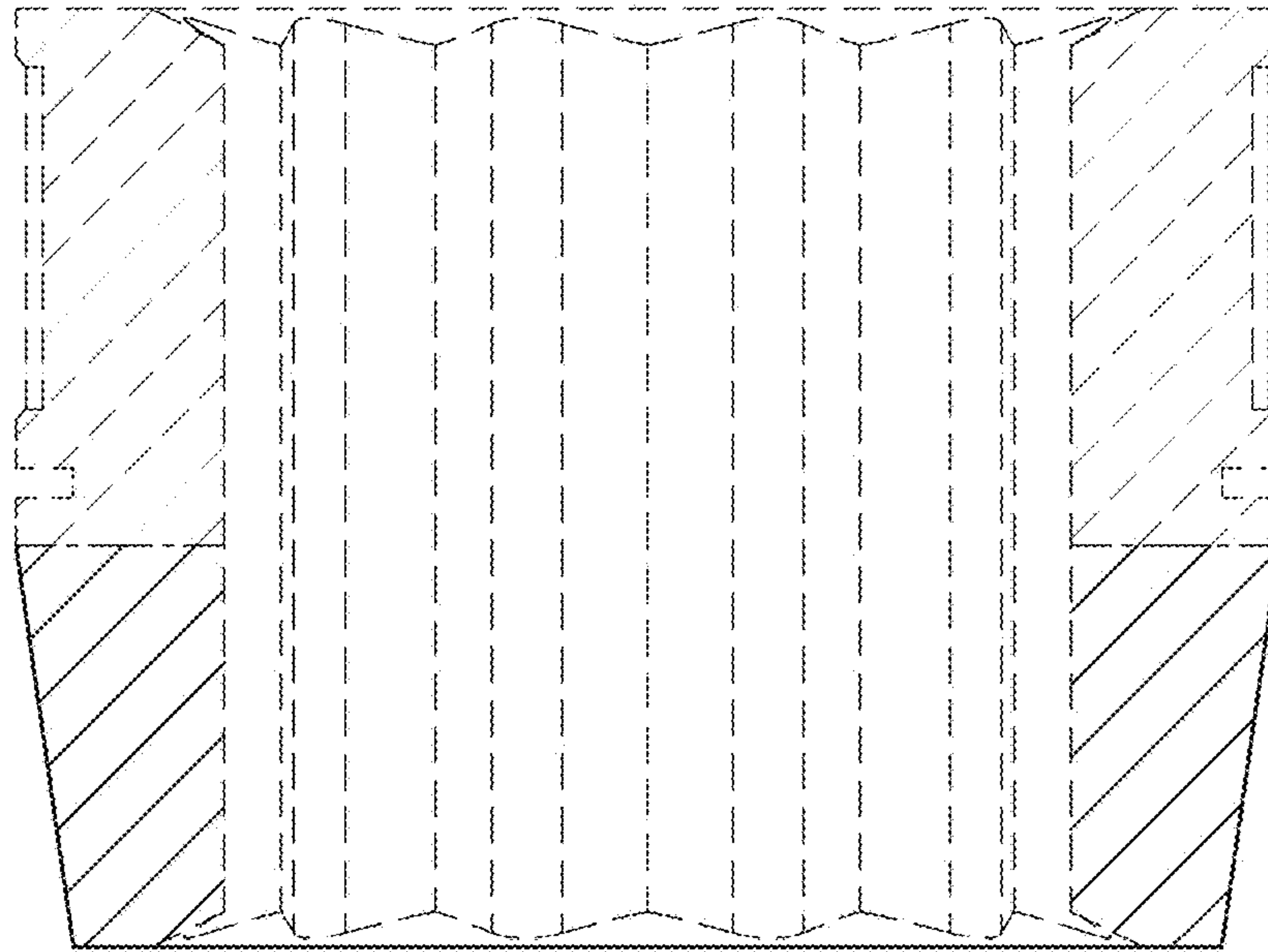


FIG. 5

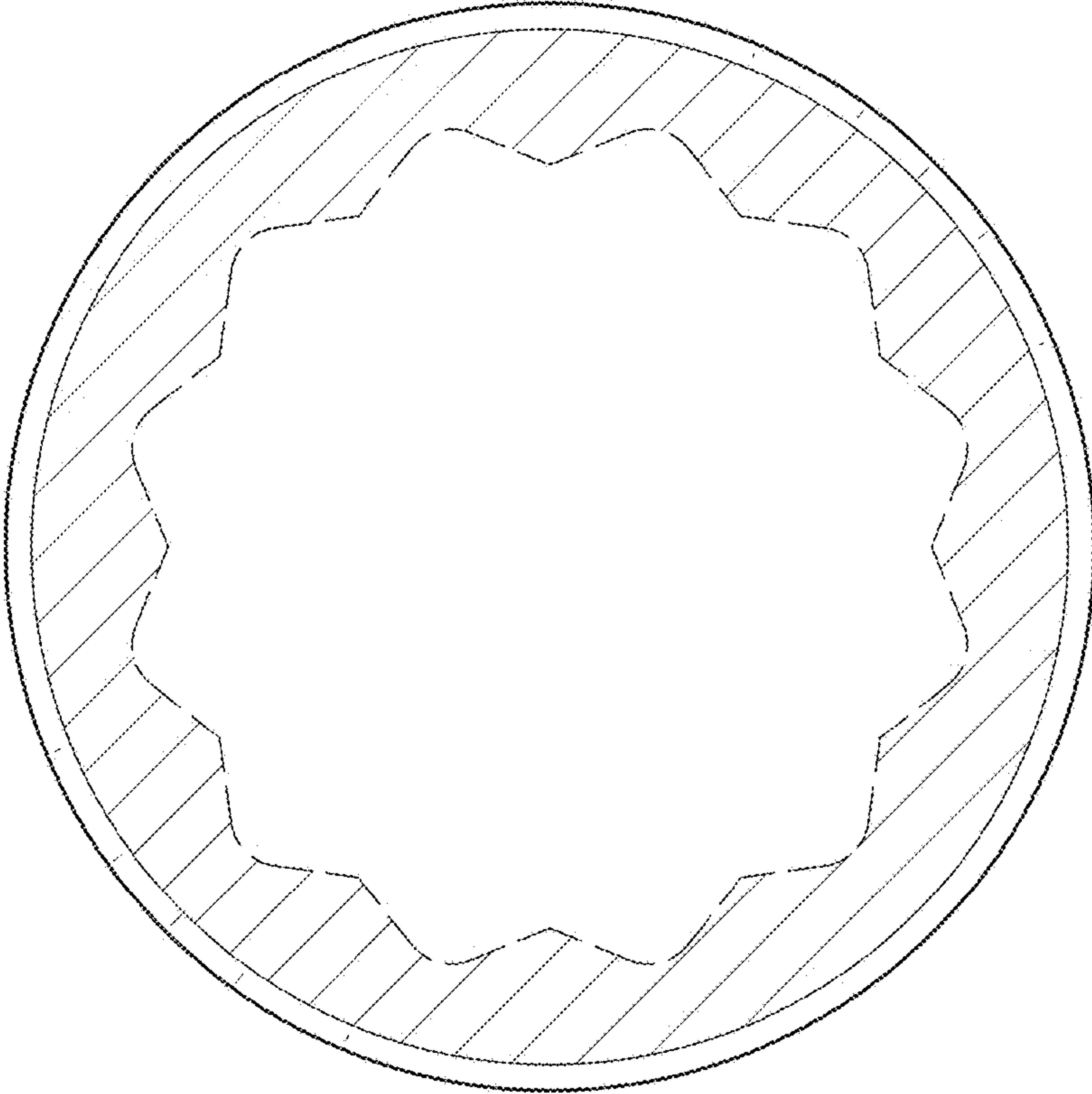


FIG. 6