



US00D838152S

(12) **United States Design Patent** (10) **Patent No.:** **US D838,152 S**
Bain (45) **Date of Patent:** **** Jan. 15, 2019**

(54) **LINE TYING APPARATUS**

(71) Applicant: **Hook-Eze Pty Ltd**, Tivoli (AU)

(72) Inventor: **Ross Bain**, Tivoli (AU)

(73) Assignee: **Hook-Eze Pty Ltd**, Tivoli (AU)

(**) Term: **15 Years**

(21) Appl. No.: **29/590,062**

(22) Filed: **Jan. 6, 2017**

(30) **Foreign Application Priority Data**

Jul. 8, 2016 (AU) 201613595
 Jul. 8, 2016 (AU) 201613596

(51) **LOC (11) Cl.** **08-05**

(52) **U.S. Cl.**
 USPC **D8/14; D22/149**

(58) **Field of Classification Search**
 USPC D8/14; D22/149
 CPC A01K 91/04; A01K 97/00; A01K 97/06;
 A01K 87/007
 See application file for complete search history.

(56) **References Cited**

U.S. PATENT DOCUMENTS

3,965,605 A * 6/1976 Allen A01K 91/04
 223/99
 4,613,173 A * 9/1986 Rosser A01K 91/04
 289/17

(Continued)

FOREIGN PATENT DOCUMENTS

AU 2002035926 WO 5/2002

Primary Examiner — Philip S Hyder
(74) Attorney, Agent, or Firm — James L. Young;
 Westman, Champlin & Koehler, P.A.

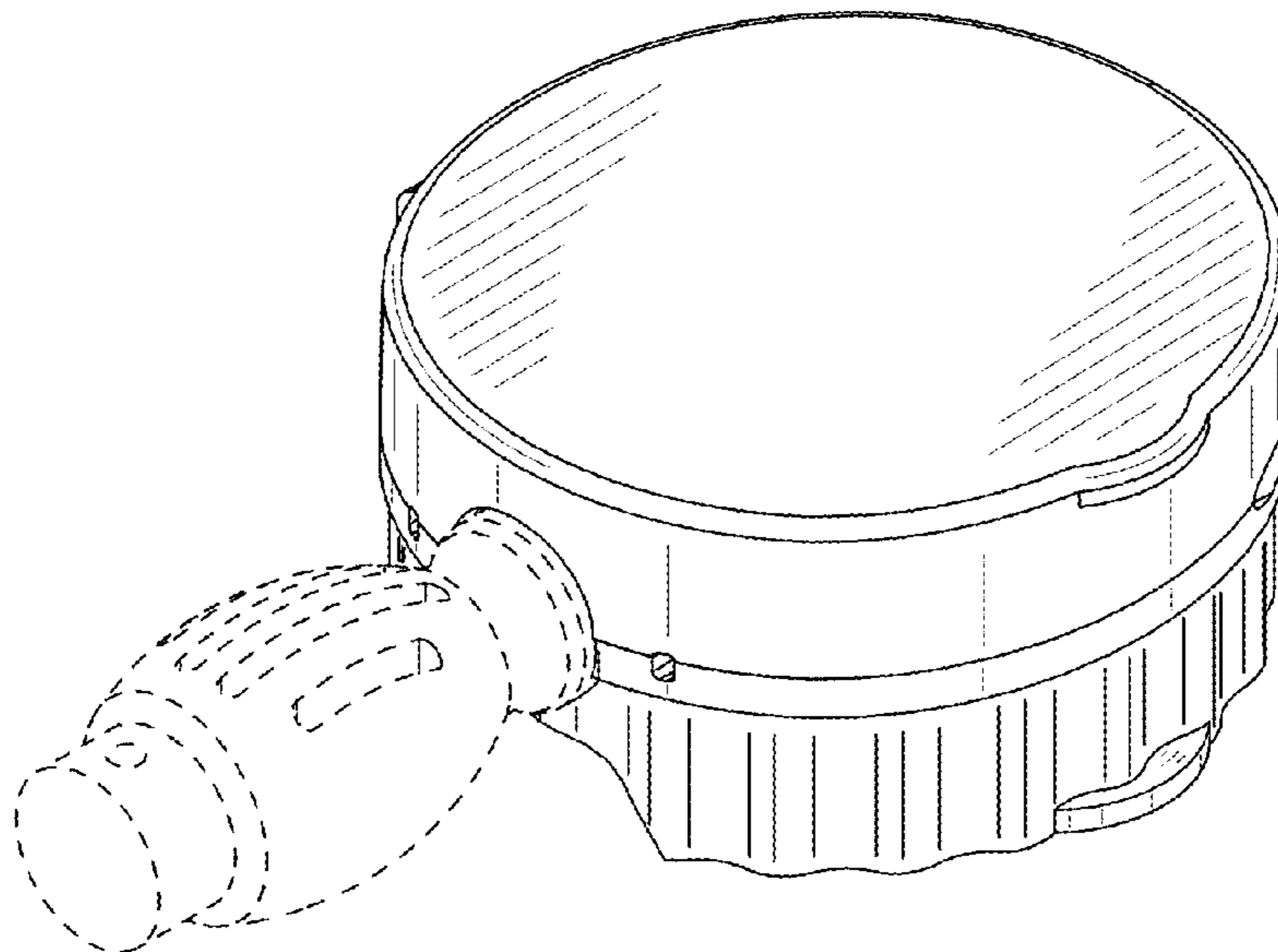
(57) **CLAIM**

The ornamental design for a line tying apparatus, as shown and described.

DESCRIPTION

FIG. 1 is a top, left side and front perspective view of a line tying apparatus in a closed configuration;
 FIG. 2 is a bottom, left side and front perspective view of the line tying apparatus of FIG. 1;
 FIG. 3 is a right side view of the line tying apparatus of FIG. 1;
 FIG. 4 is a left side view of the line tying apparatus of FIG. 1;
 FIG. 5 is a front view of the line tying apparatus of FIG. 1;
 FIG. 6 is a back view of the line tying apparatus of FIG. 1;
 FIG. 7 is a top view of the line tying apparatus of FIG. 1;
 FIG. 8 is a bottom view of the line tying apparatus of FIG. 1;
 FIG. 9 is a top, left side and front perspective view of the line tying apparatus in an open configuration.
 FIG. 10 is a bottom, left side and front perspective view of the line tying apparatus of FIG. 9;
 FIG. 11 is a right side view of the line tying apparatus of FIG. 9;
 FIG. 12 is a left side view of the line tying apparatus of FIG. 9;
 FIG. 13 is a front view of the line tying apparatus of FIG. 9;
 FIG. 14 is a back view of the line tying apparatus of FIG. 9;
 FIG. 15 is a top view of the line tying apparatus of FIG. 9;
 and,
 FIG. 16 is a bottom view of the line tying apparatus of FIG. 10.
 The broken lines shown in the drawings illustrate portions of the line tying apparatus that form no part of the claimed design.

1 Claim, 14 Drawing Sheets



(56)

References Cited

U.S. PATENT DOCUMENTS

4,660,314 A * 4/1987 Janssen A01K 97/00
289/17
5,383,695 A * 1/1995 Couper A01K 91/04
289/17
6,474,013 B2 * 11/2002 Terry A01K 97/06
43/25.2
7,793,458 B2 * 9/2010 Eisbrenner A01K 87/007
43/4
7,793,459 B1 * 9/2010 Ruzicka A01K 91/04
43/42.49

* cited by examiner

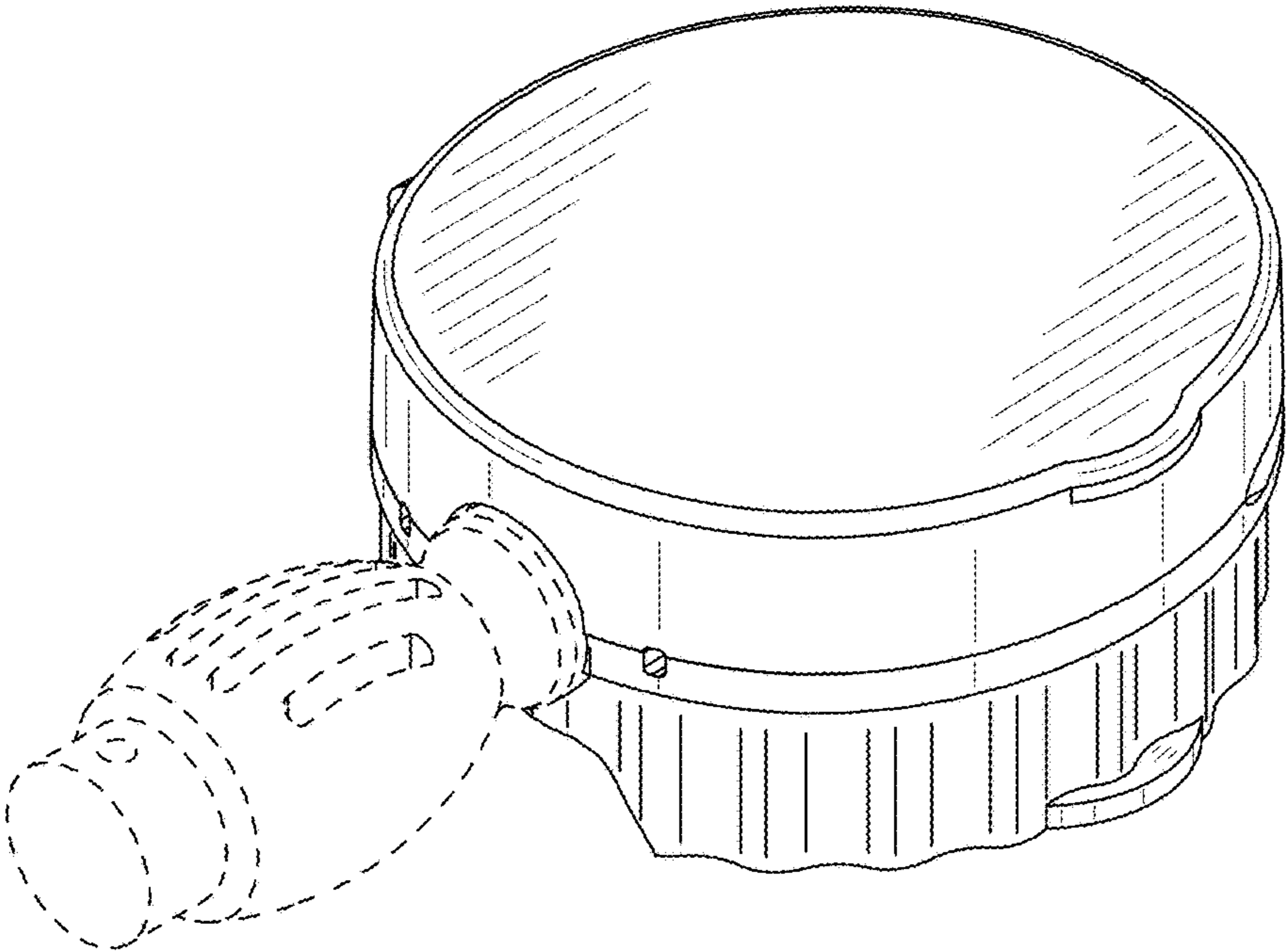


Fig. 1

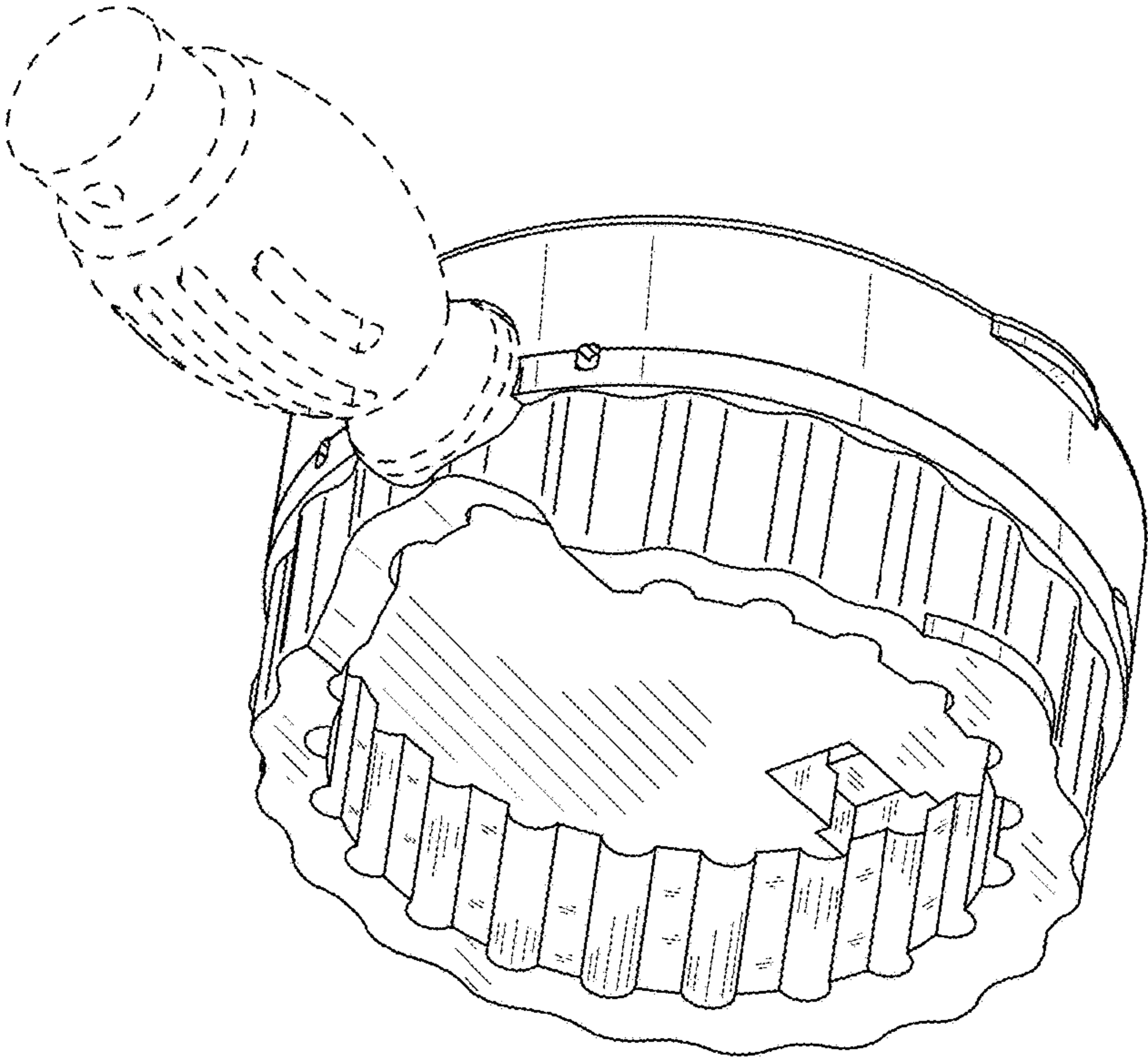


Fig. 2

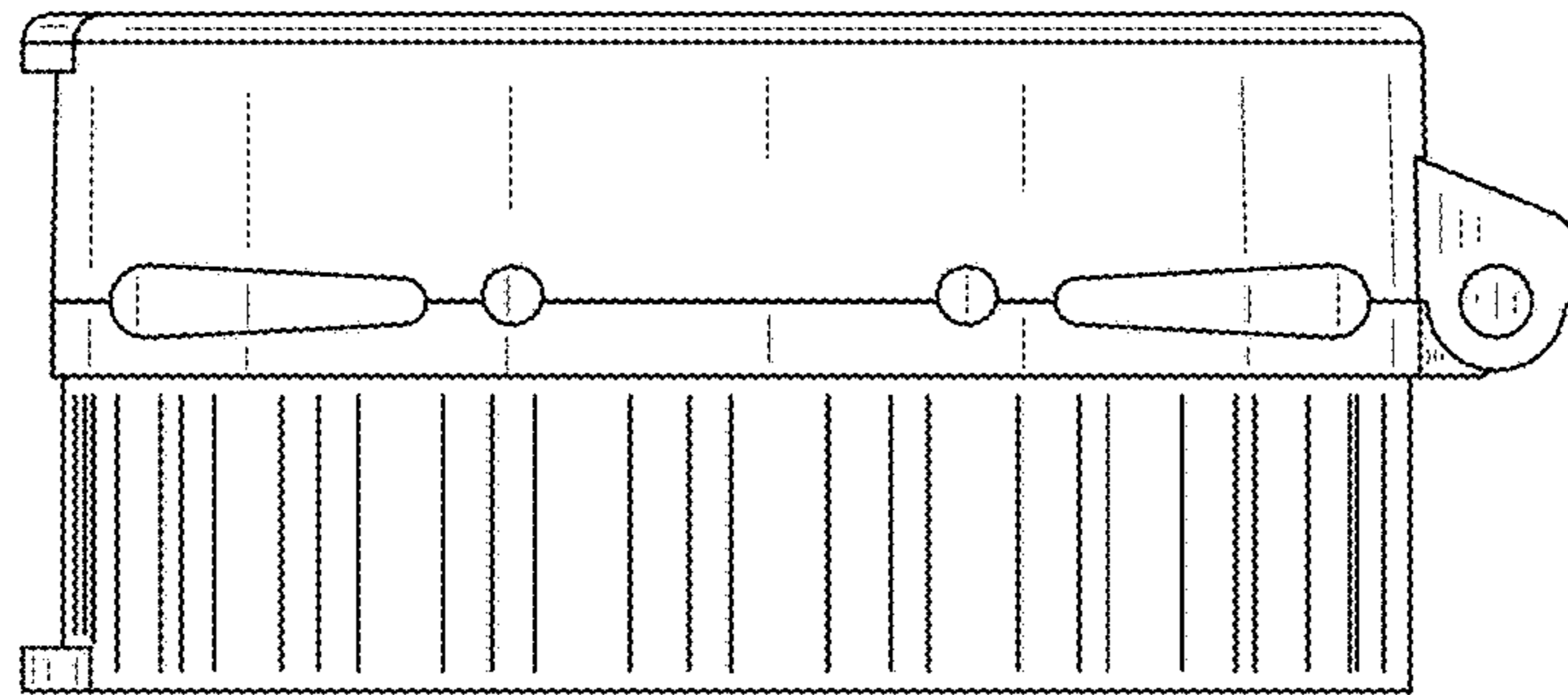


Fig. 3

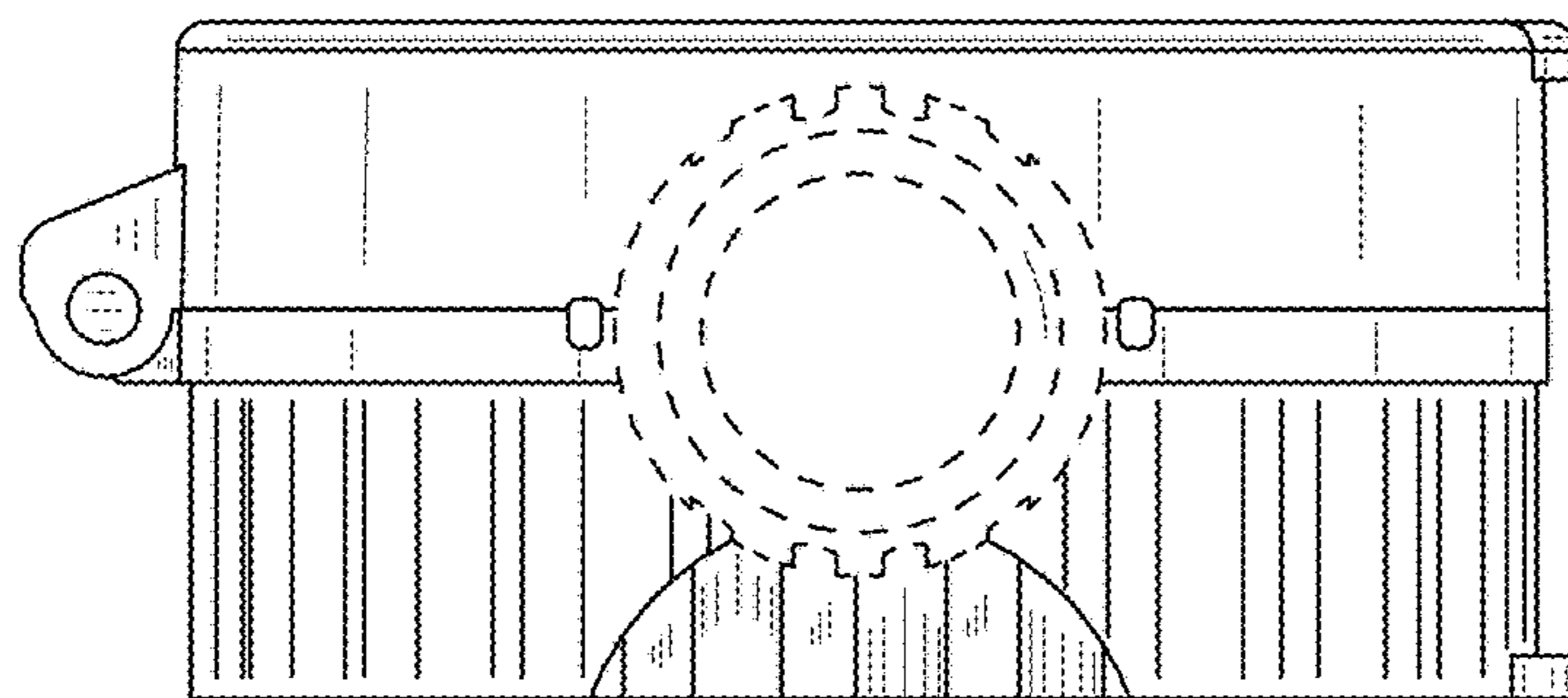


Fig. 4

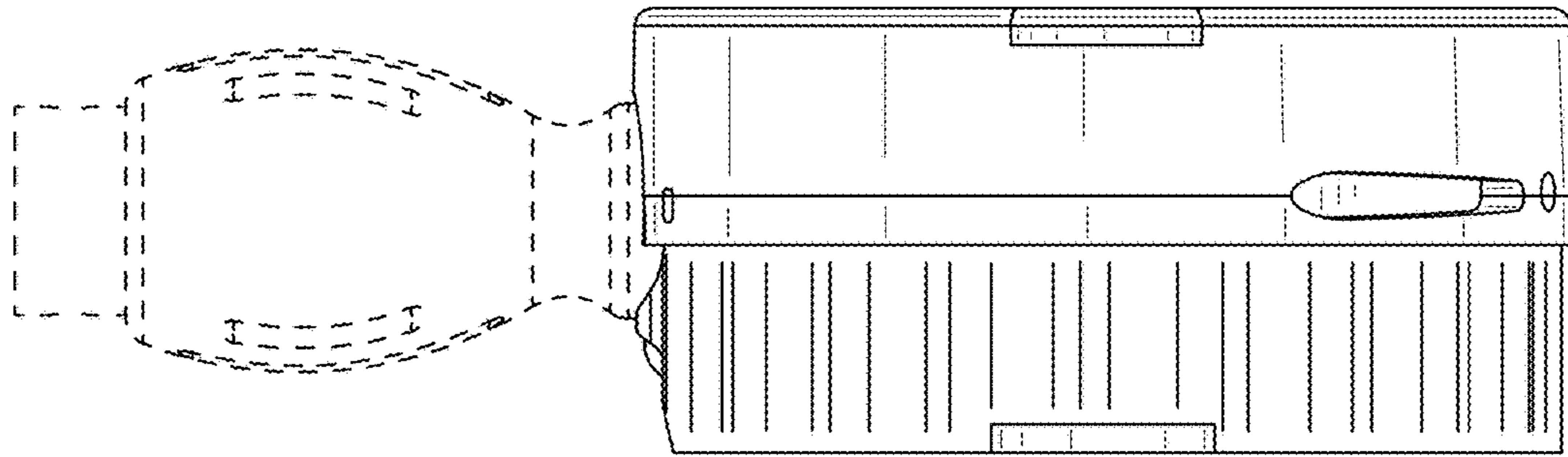


Fig. 5

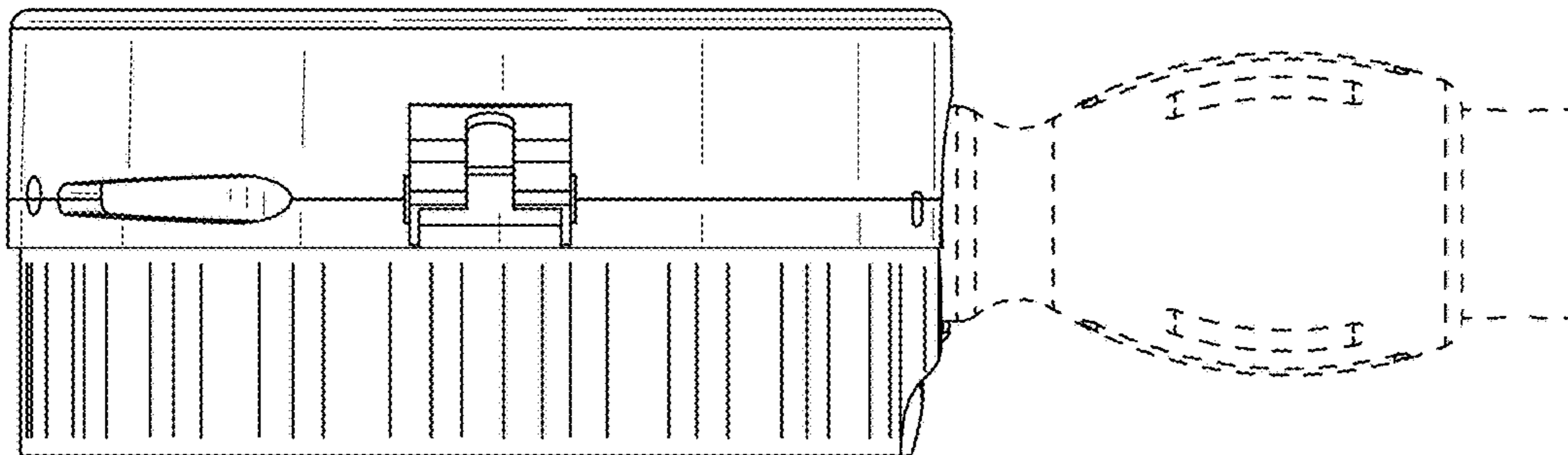


Fig. 6

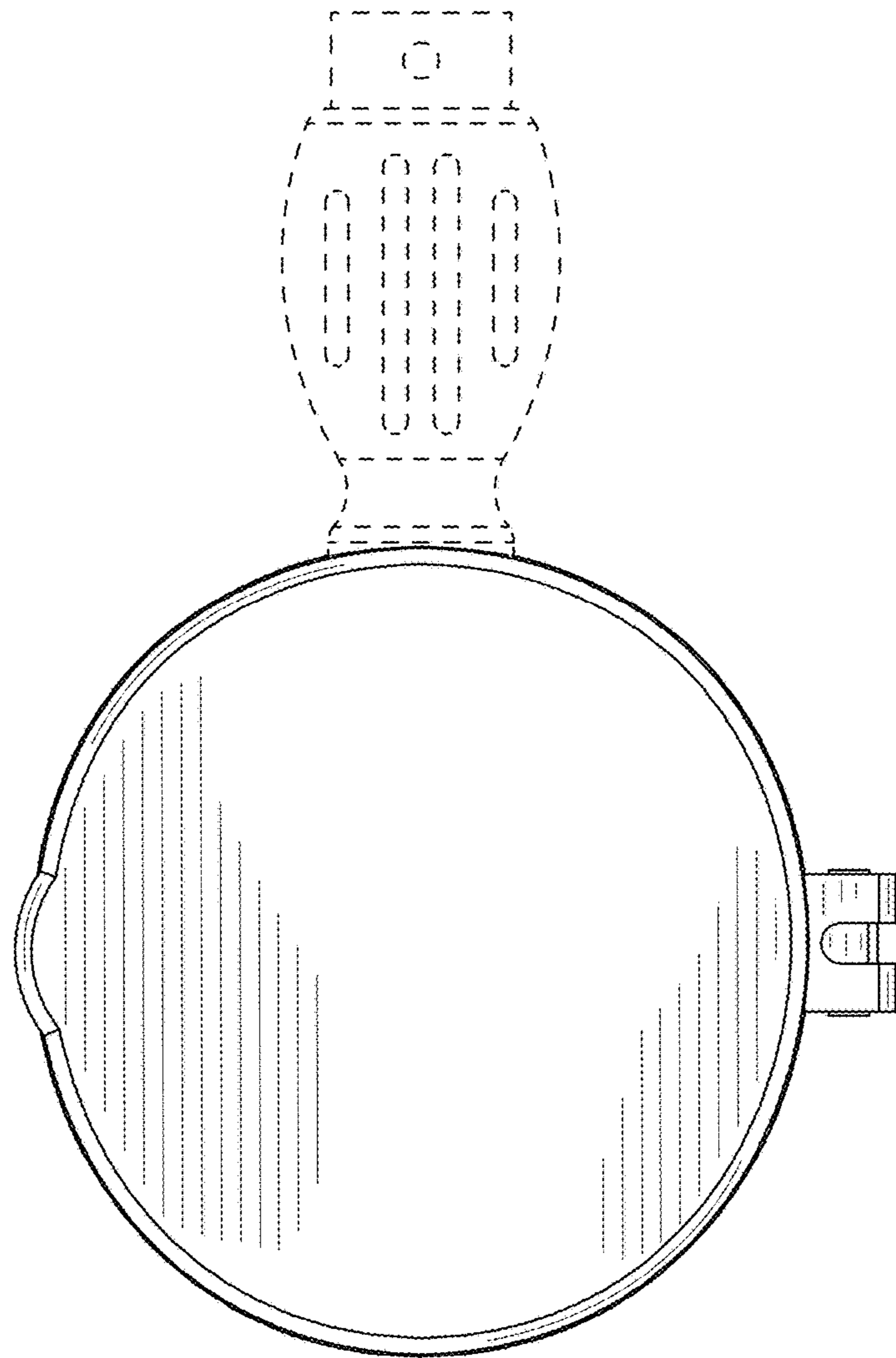


Fig. 7

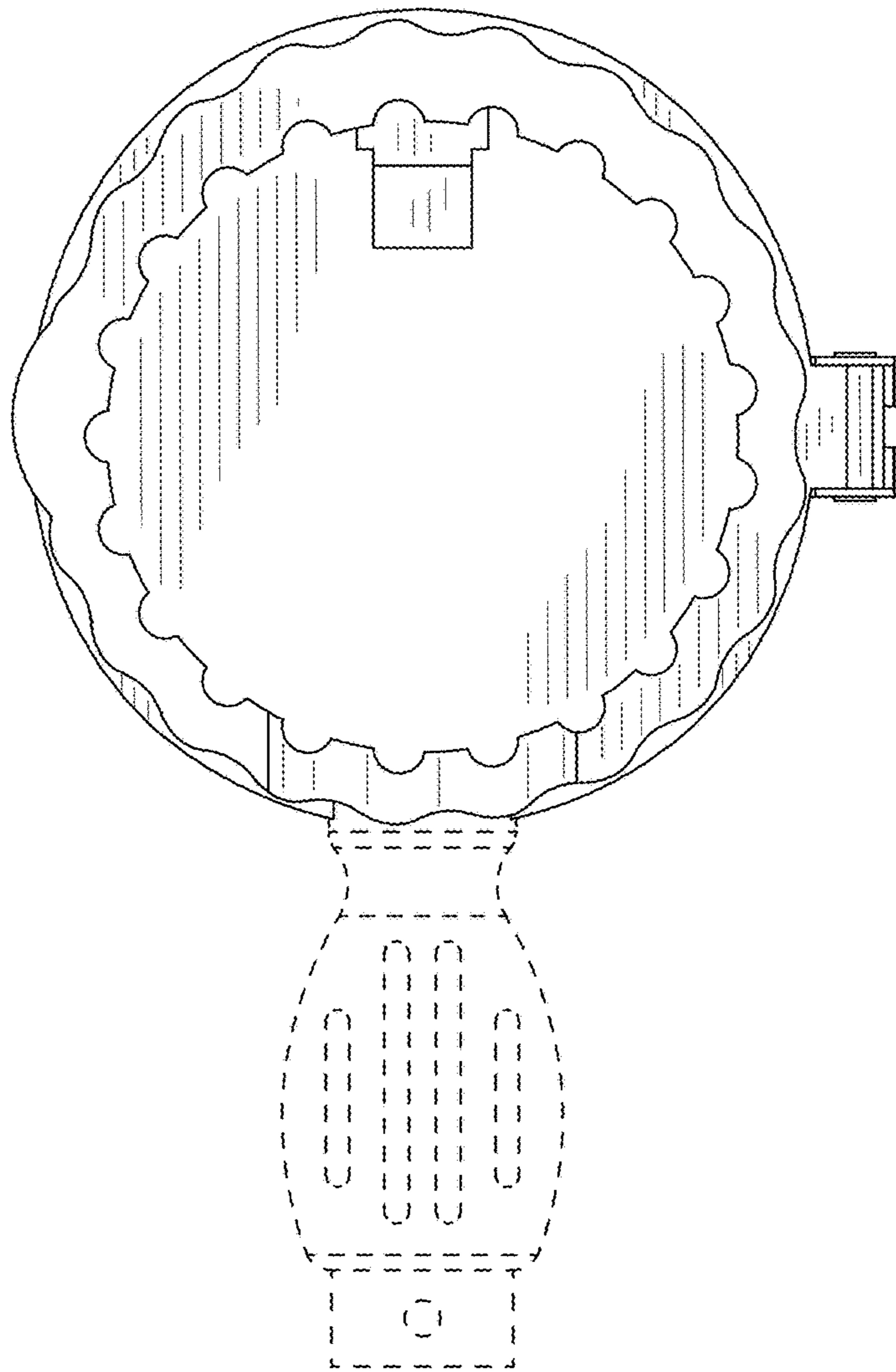


Fig. 8

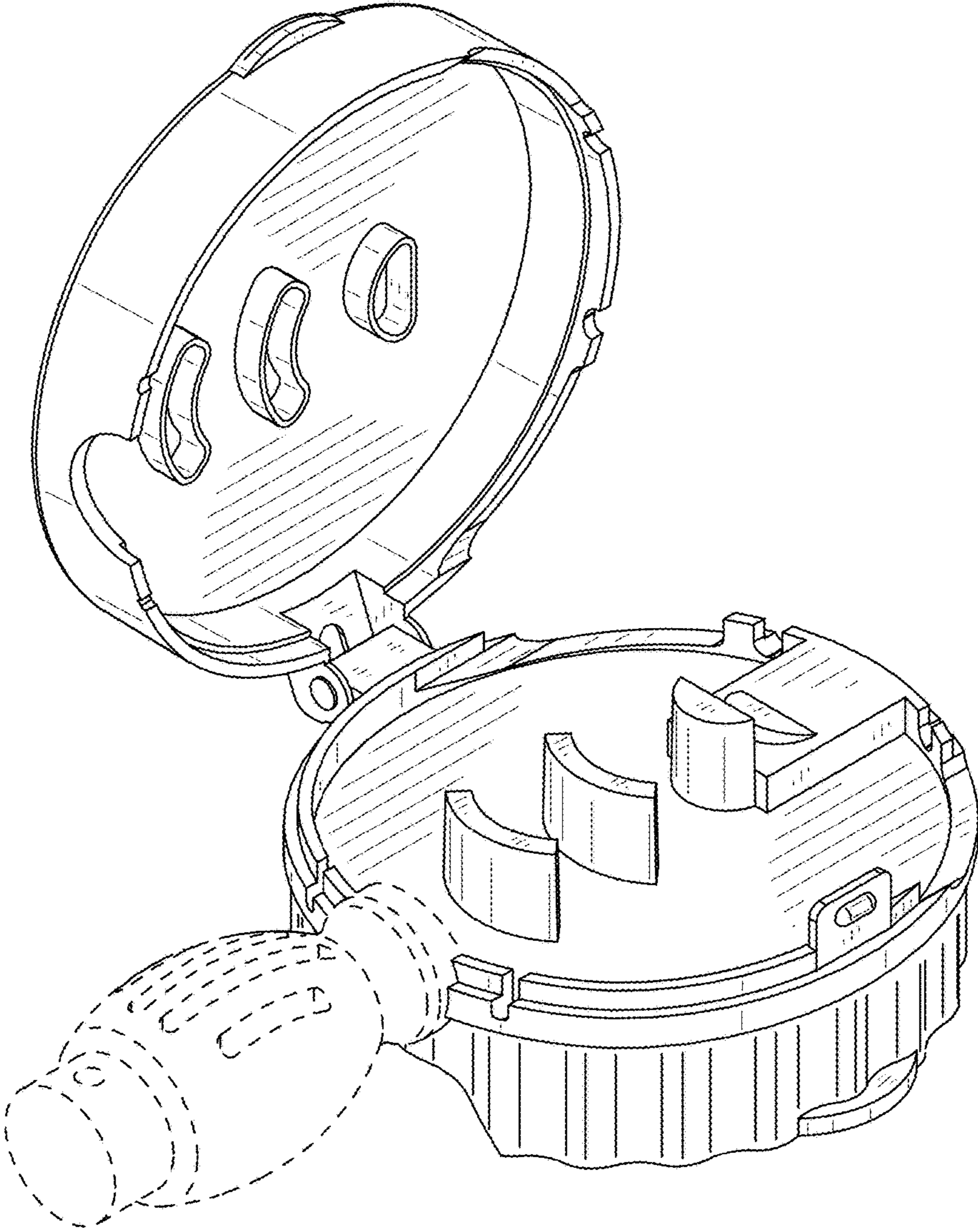


Fig. 9

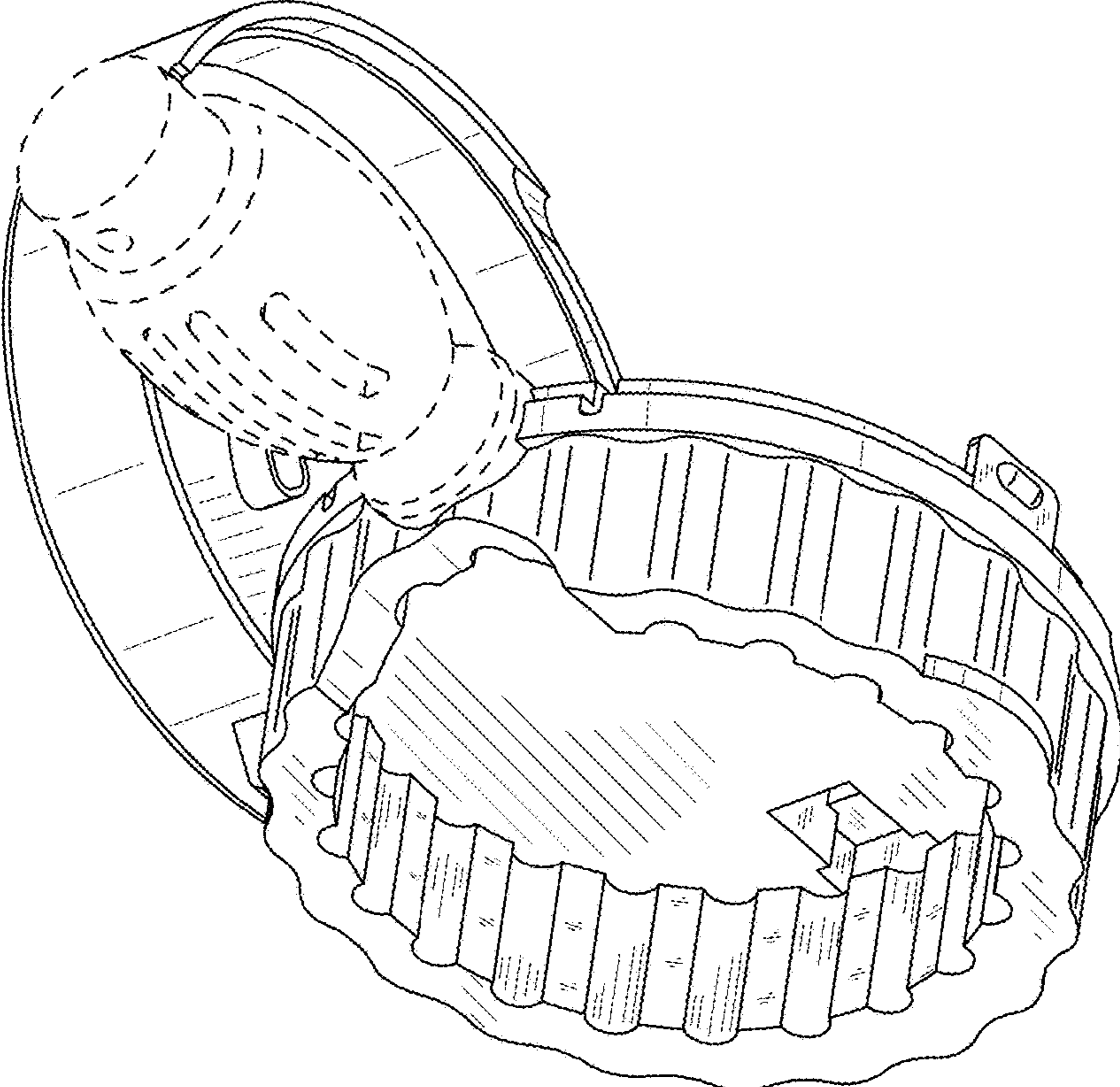


Fig. 10

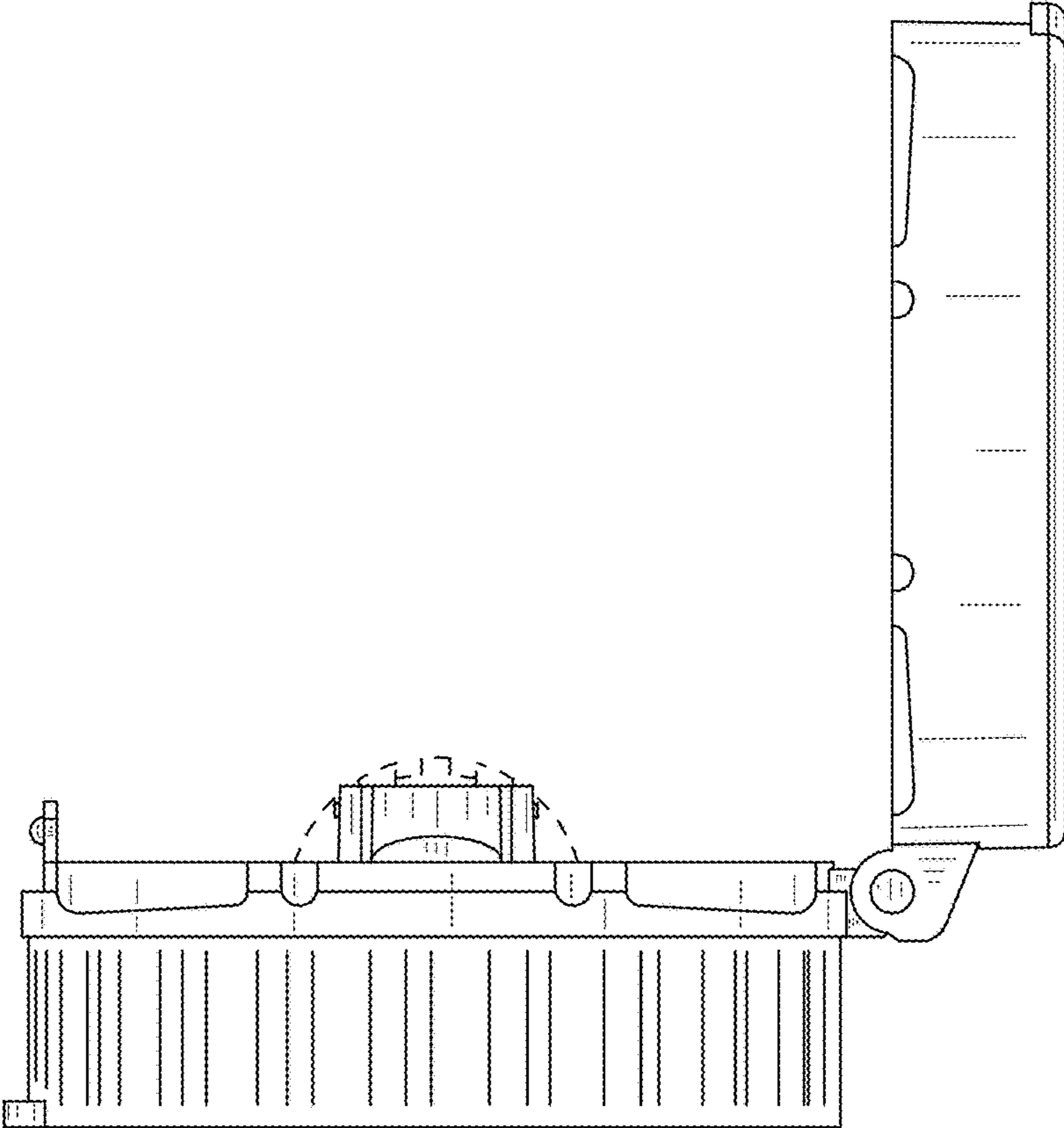


Fig. 11

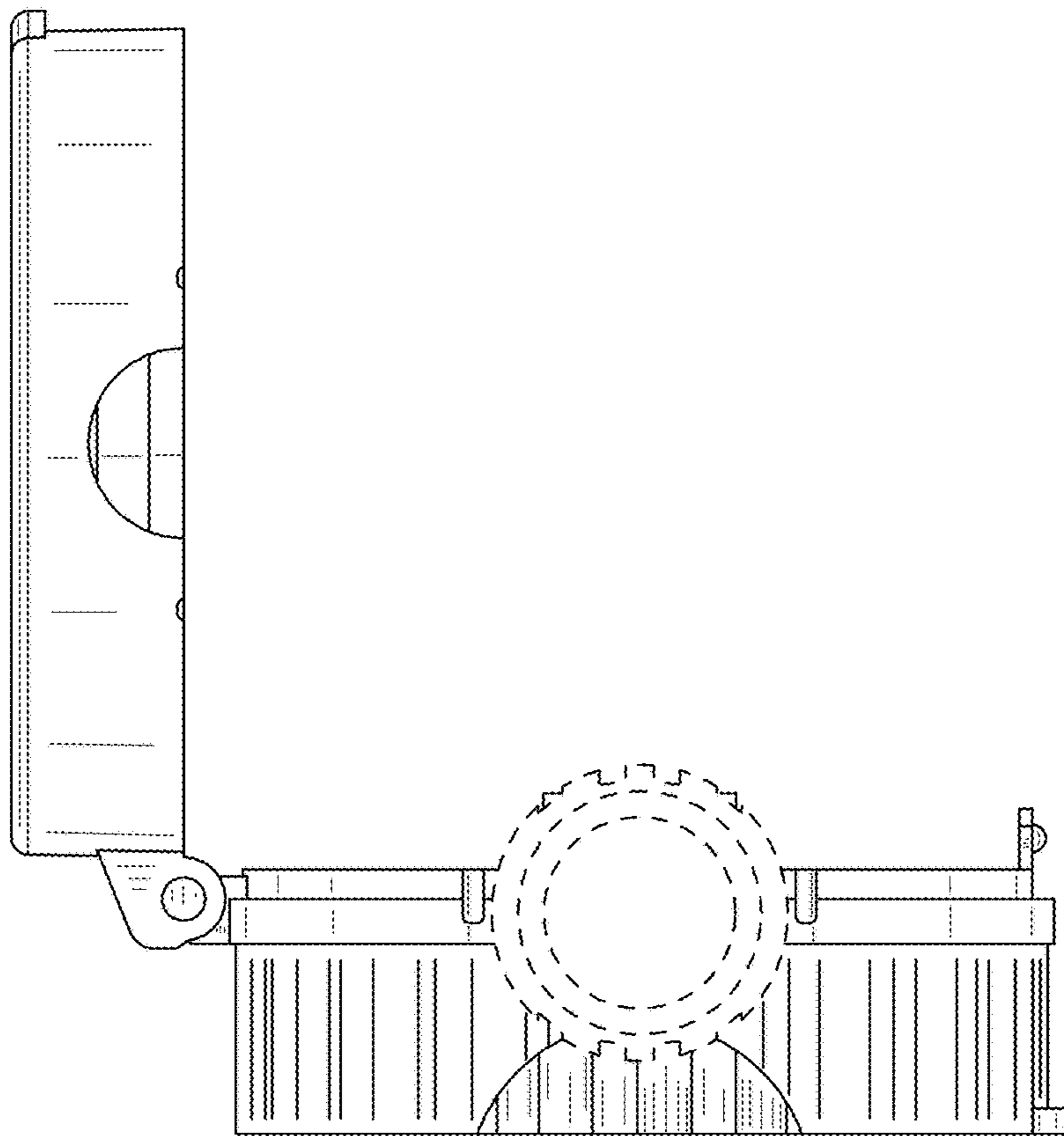


Fig. 12

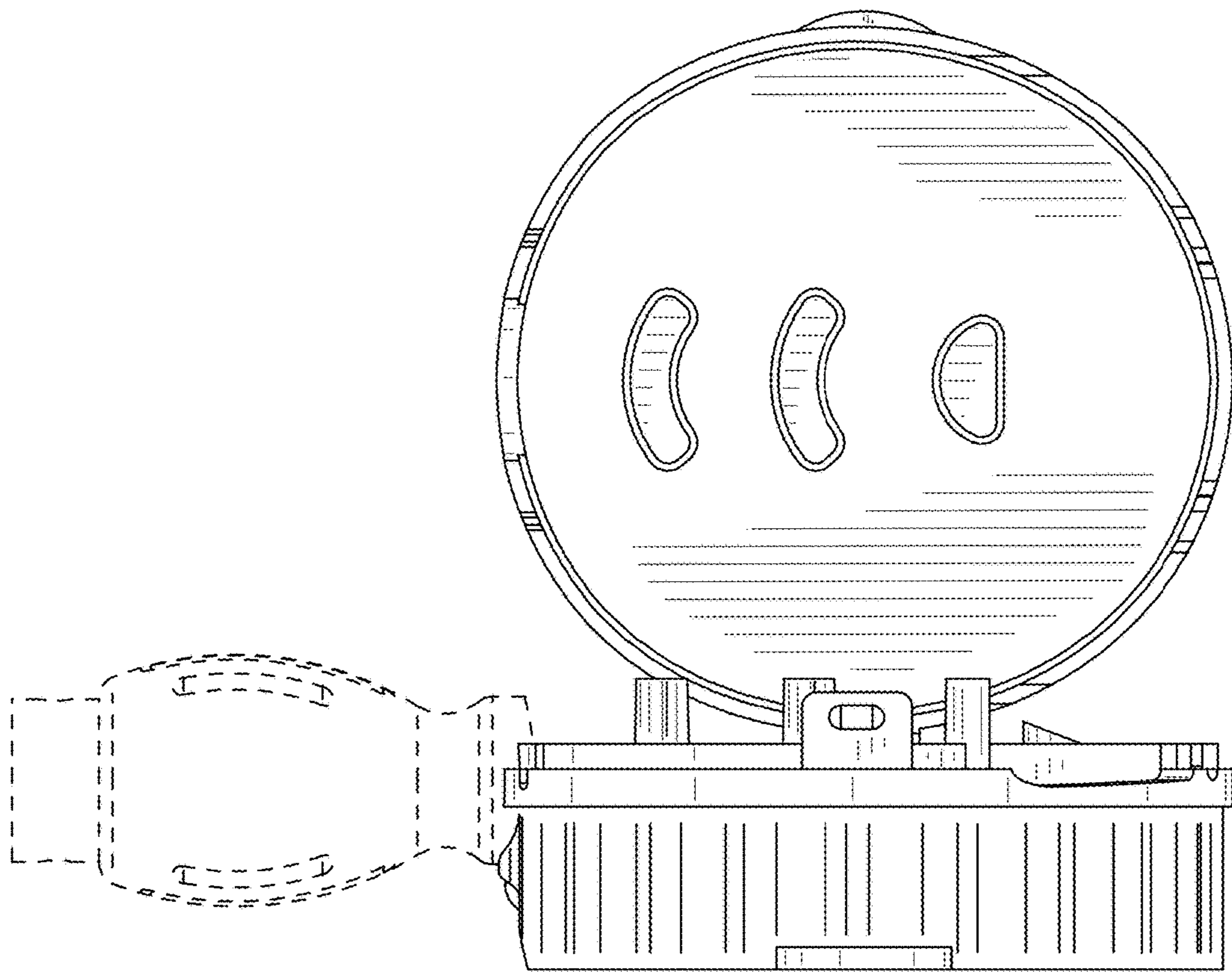


Fig. 13

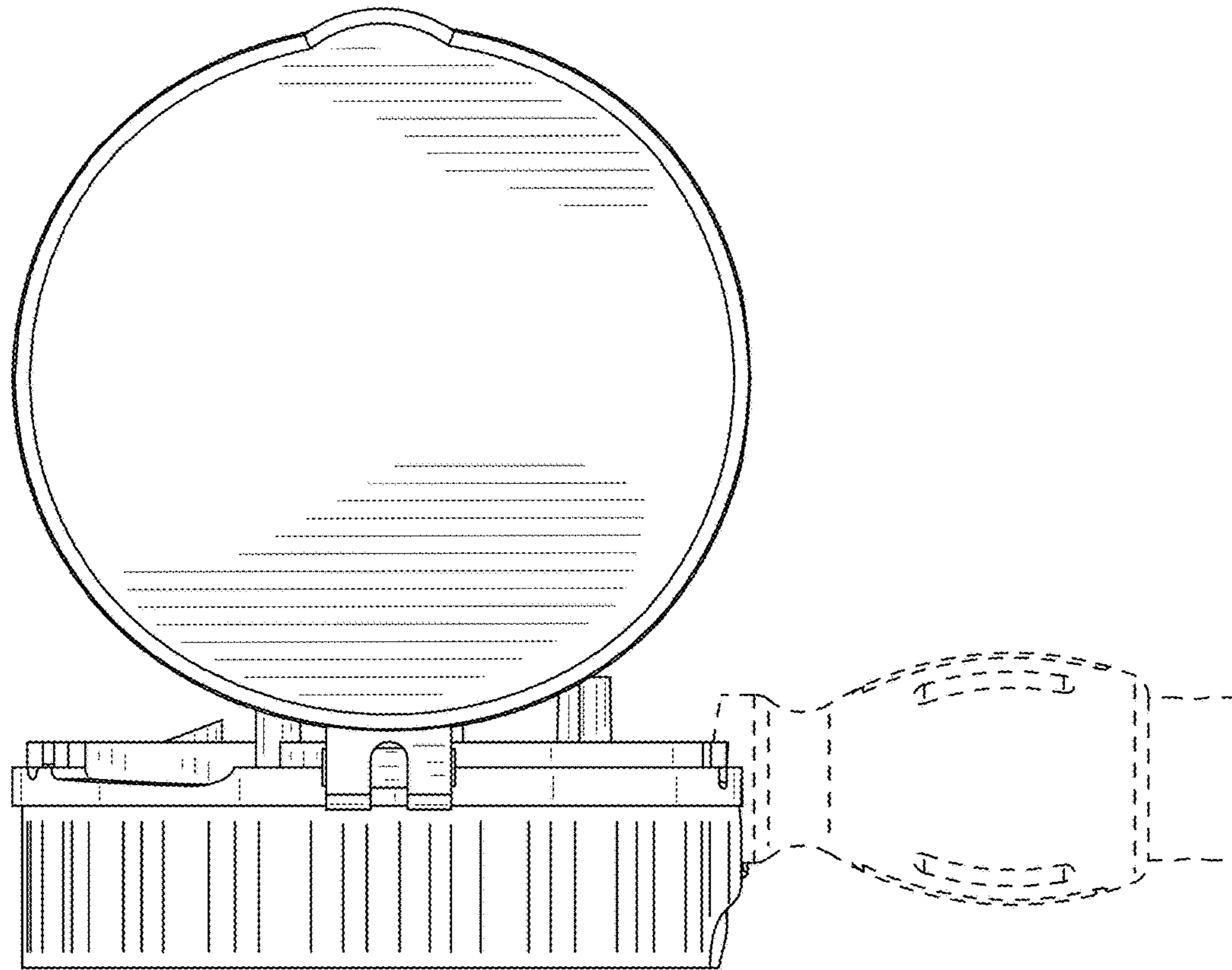


Fig. 14

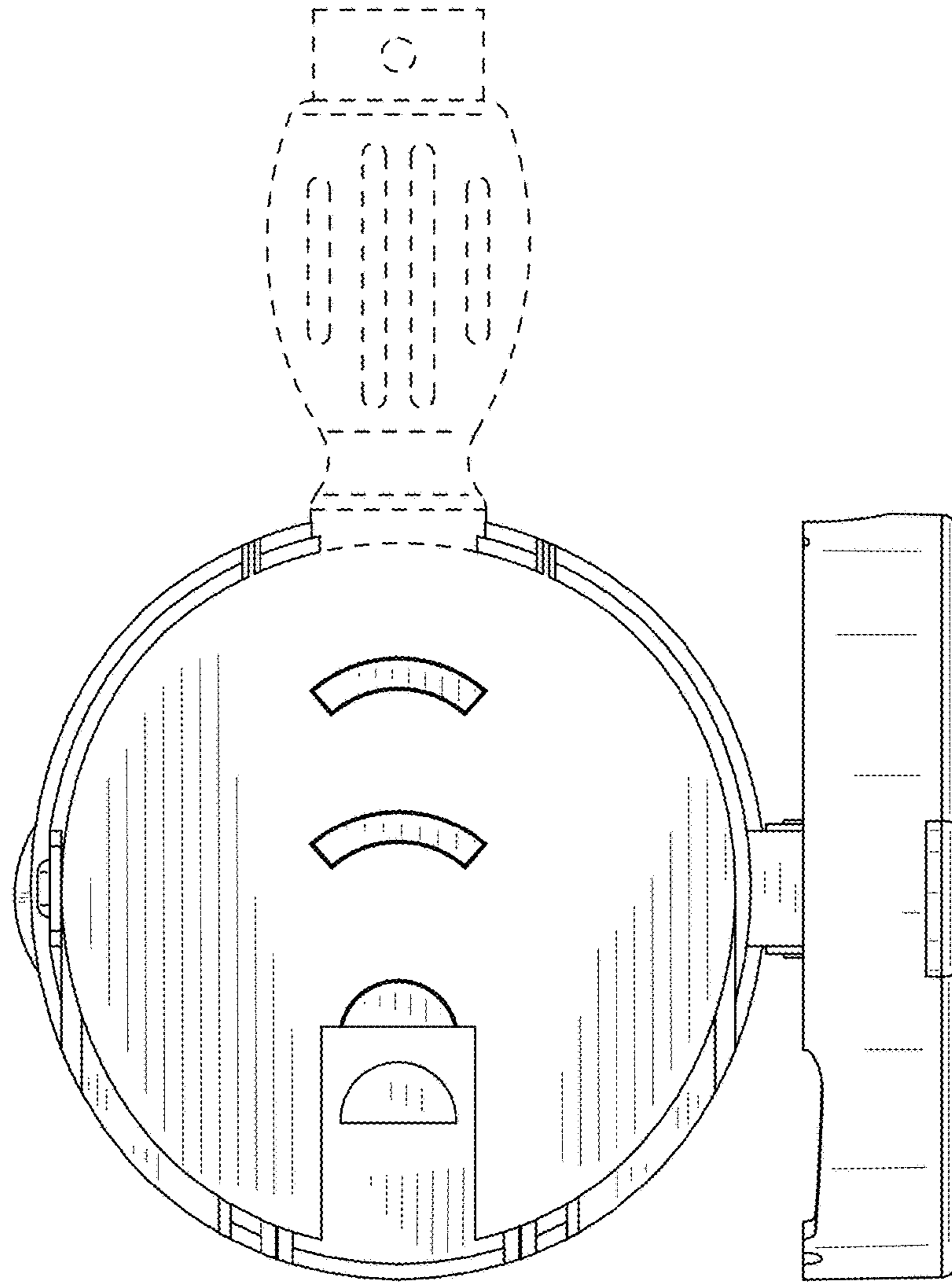


Fig. 15

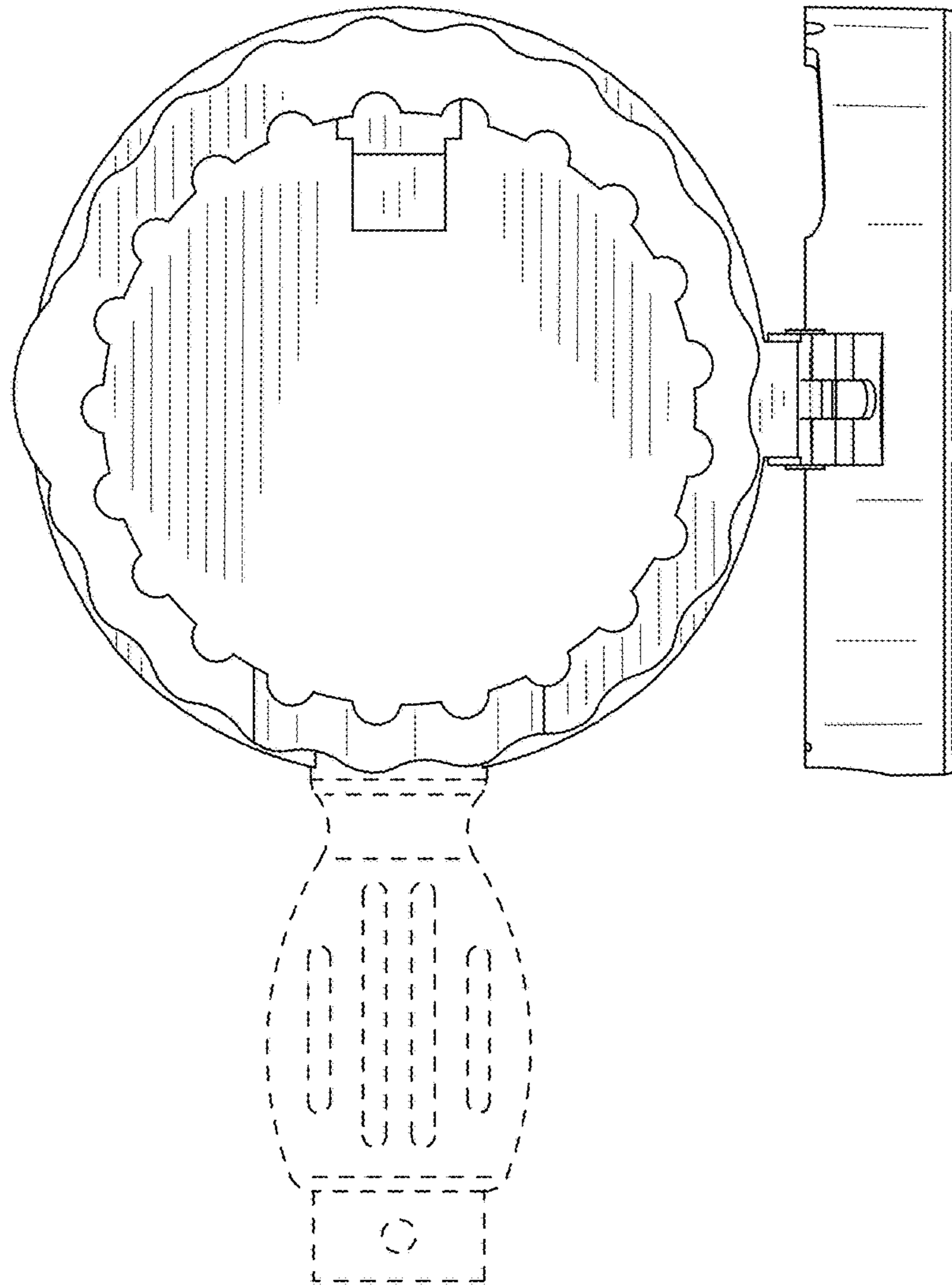


Fig. 16