



US00D838151S

(12) **United States Design Patent**  
**Macyszyn**

(10) **Patent No.:** **US D838,151 S**

(45) **Date of Patent:** **\*\* Jan. 15, 2019**

(54) **TOOL HAVING INTERCHANGEABLE SHOVEL HEAD AND REMOVEABLE AUXILIARY HANDLE**

(71) Applicant: **Witold Macyszyn**, Sussex, NJ (US)

(72) Inventor: **Witold Macyszyn**, Sussex, NJ (US)

(\*\*) Term: **15 Years**

(21) Appl. No.: **29/602,730**

(22) Filed: **May 3, 2017**

(51) **LOC (11) Cl.** ..... **08-01**

(52) **U.S. Cl.**  
USPC ..... **D8/10**

(58) **Field of Classification Search**  
USPC ..... D8/1, 10; D21/532  
CPC ..... A01B 1/026; B25G 1/10; B25G 1/00  
See application file for complete search history.

(56) **References Cited**

U.S. PATENT DOCUMENTS

3,751,094	A *	8/1973	Bohler	.....	A01B 1/026
					16/426
6,485,076	B1 *	11/2002	Chang	.....	A01B 1/026
					254/131.5
D677,134	S *	3/2013	Stark	.....	D8/10
D756,729	S *	5/2016	Macyszyn	.....	D8/10
D823,656	S *	7/2018	Ziamandanis	.....	D8/10
D825,295	S *	8/2018	Roberts	.....	D8/10

2010/0320785	A1 *	12/2010	Trott	.....	A01B 1/026
					294/58
2012/0048074	A1 *	3/2012	Mosher	.....	B25G 1/06
					81/489
2012/0192540	A1 *	8/2012	Macyszyn	.....	A01B 1/026
					56/400.01
2014/0132015	A1 *	5/2014	Stachowski	.....	A01B 1/026
					294/51

\* cited by examiner

*Primary Examiner* — Sheryl Lane

(74) *Attorney, Agent, or Firm* — Mitchell Law PLLC;  
Matthew W. Mitchell

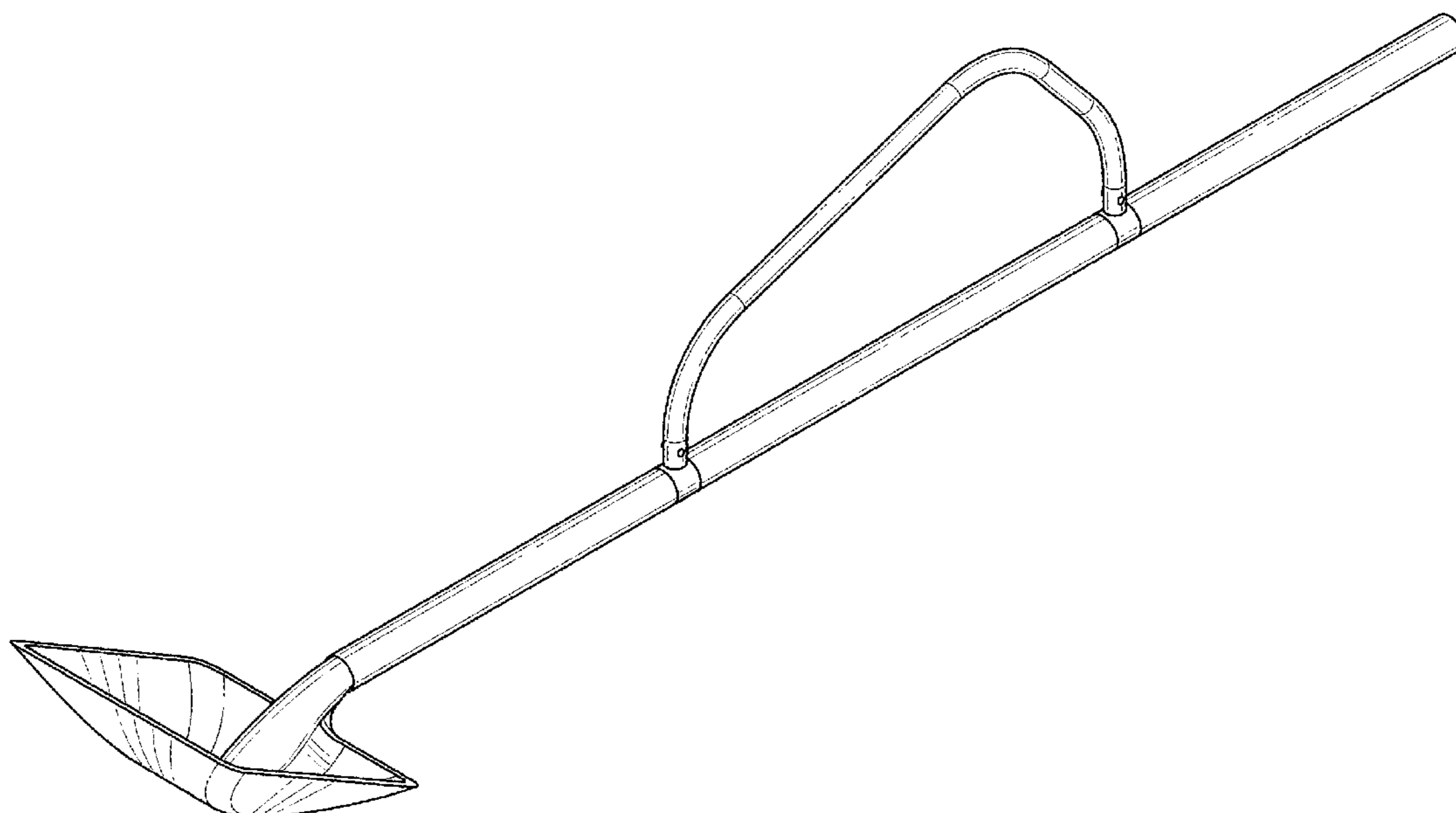
(57) **CLAIM**

The ornamental design for a tool having interchangeable shovel head and removeable auxiliary handle, as shown.

**DESCRIPTION**

FIG. 1 is a front isometric view of the tool having interchangeable shovel head and removeable auxiliary handle of the present invention;  
FIG. 2 is a side view of the invention of FIG. 1, as seen from the left side of FIG. 4;  
FIG. 3 is a side view of the invention of FIG. 1, as seen from the right side of FIG. 4;  
FIG. 4 is a front view of the invention of FIG. 1;  
FIG. 5 is a rear view of the invention of FIG. 1;  
FIG. 6 is a bottom plan view of the invention of FIG. 1; and,  
FIG. 7 is a top plan view of the invention of FIG. 1.

**1 Claim, 6 Drawing Sheets**



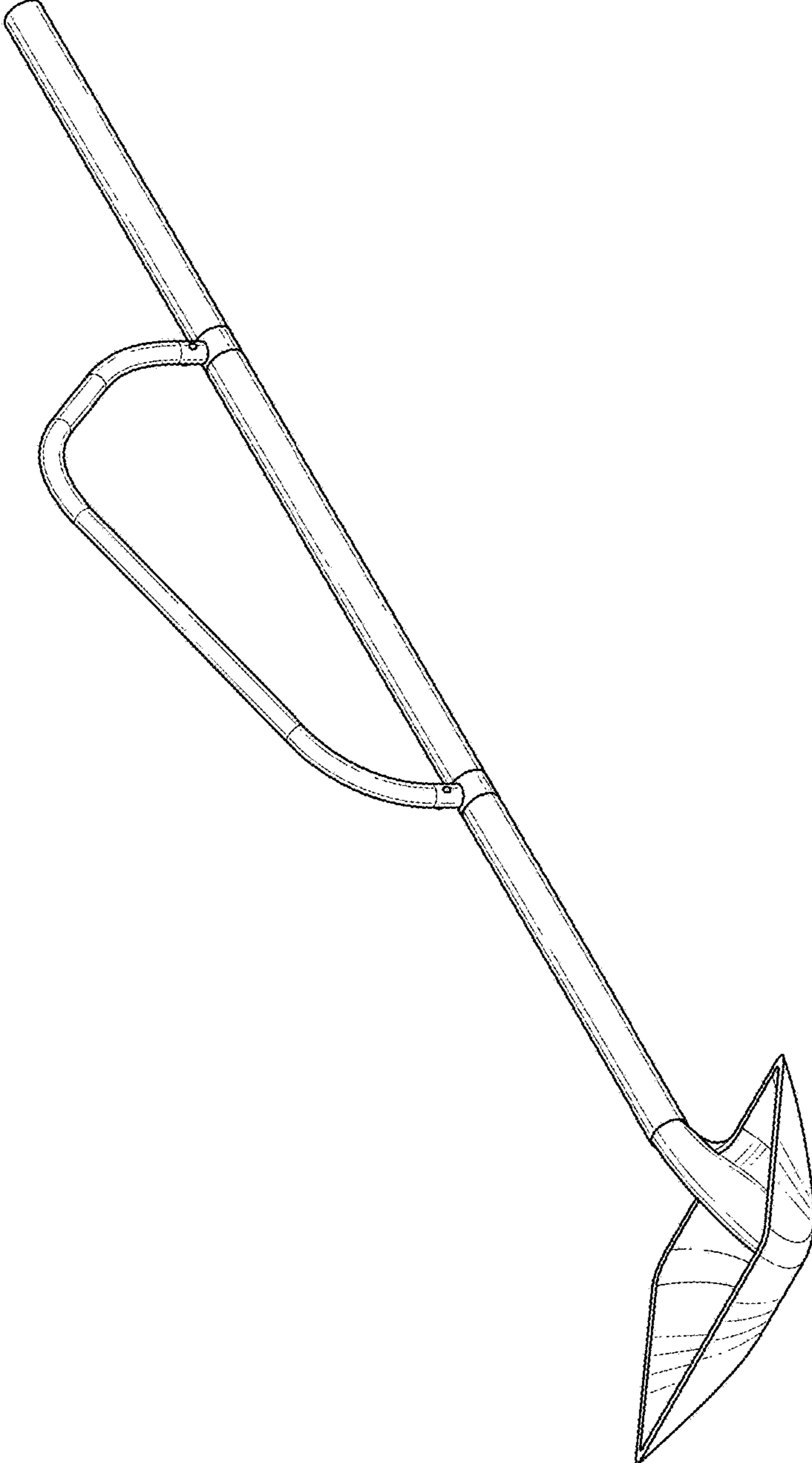


FIG. 1

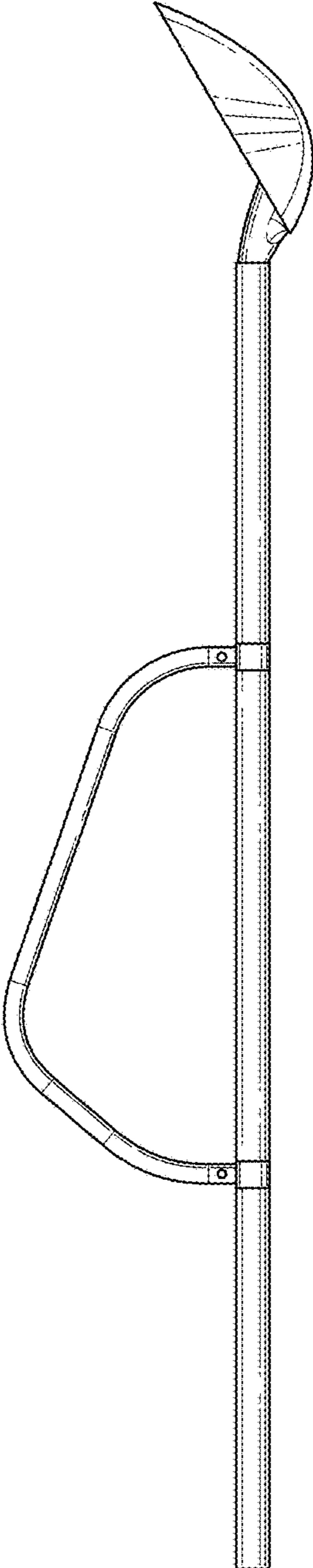


FIG. 2

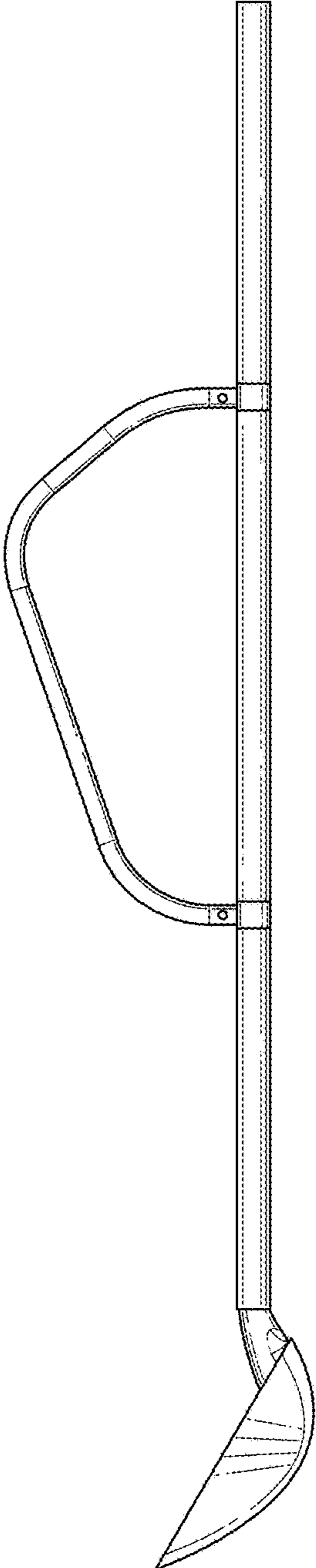


FIG. 3

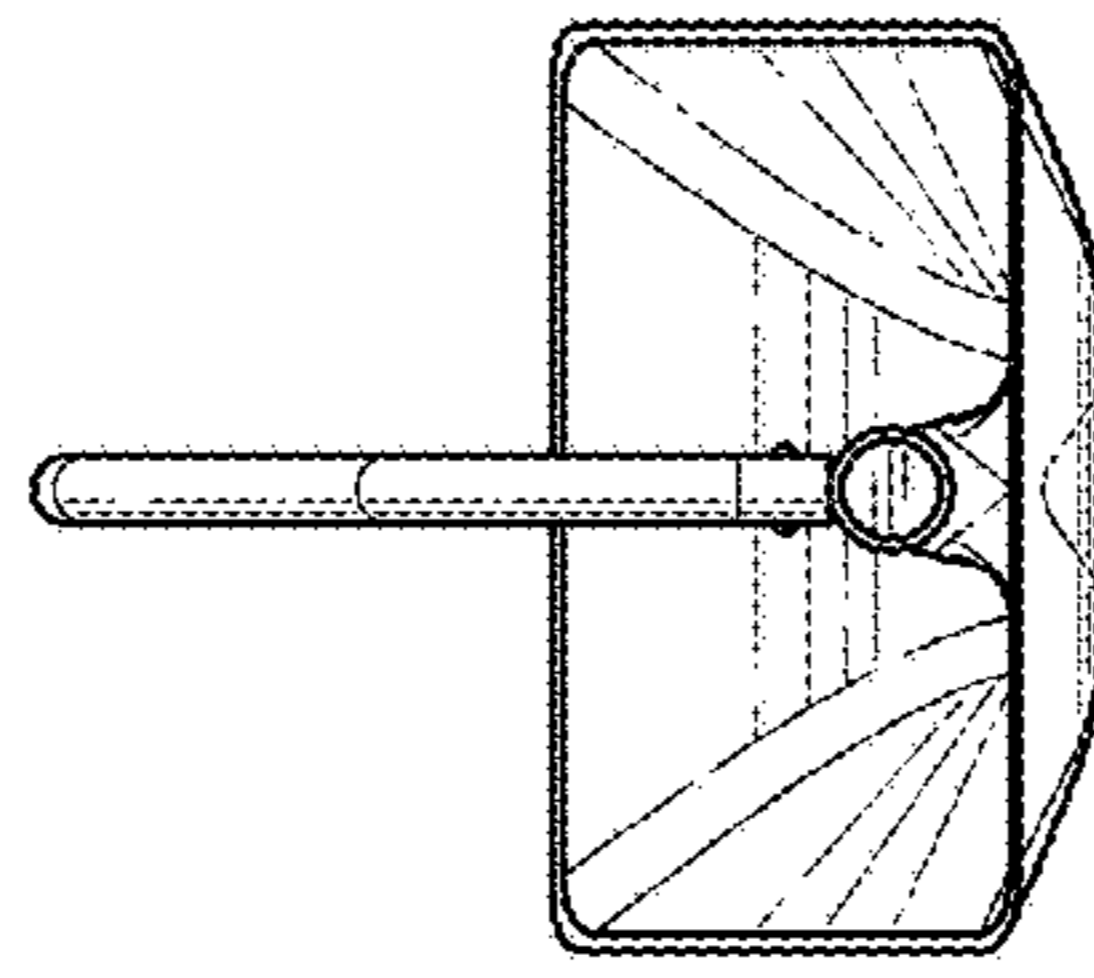


FIG. 5

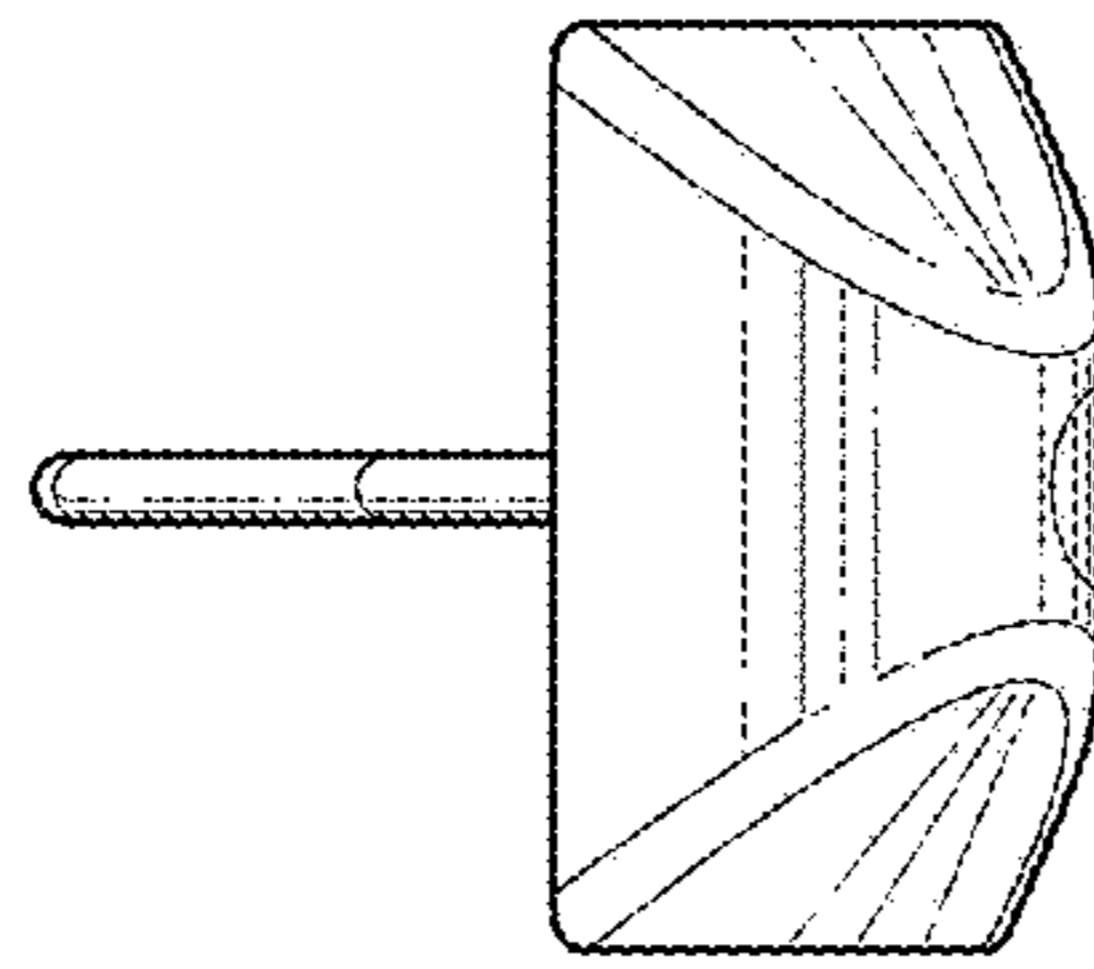


FIG. 4

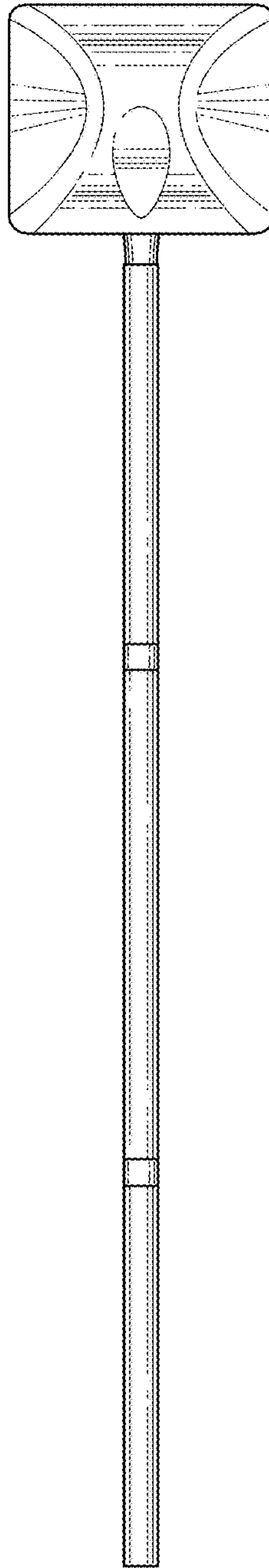


FIG. 6

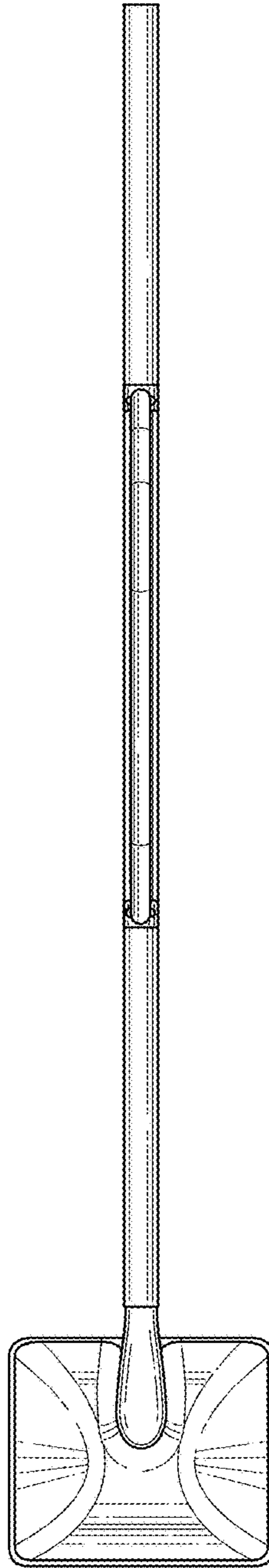


FIG. 7