

US00D838150S

(12) **United States Design Patent**
Magana et al.

(10) **Patent No.:** **US D838,150 S**

(45) **Date of Patent:** **** Jan. 15, 2019**

- (54) **CULTIVATOR**
- (71) Applicant: **CORONA CLIPPER, INC.**, Corona, CA (US)
- (72) Inventors: **Anthony Magana**, Riverside, CA (US); **James J. Wolf**, Waconia, MN (US); **Kevin Michael Kroeger**, Anthem, AZ (US); **O’Ryan Lopez**, Fontana, CA (US); **Estevan Jose Silvas, Jr.**, Corona, CA (US); **Craig Steven Agney**, Minneapolis, MN (US); **Christopher Scott Daniels**, Columbus, OH (US); **Donald Collins Meves**, Columbus, OH (US); **Michael Joseph Painter**, Johnstown, OH (US)

4,905,768	A *	3/1990	Lorenz	A01B 1/14	172/25
D406,219	S *	3/1999	Basek	D8/13	
6,843,324	B2 *	1/2005	Basek	A01B 1/222	172/111
D579,738	S *	11/2008	Karczewski	D8/7	
D586,632	S *	2/2009	Lai	D8/6	
D663,323	S *	7/2012	Ortiz	D15/11	
8,347,975	B2 *	1/2013	Lin	A01B 1/14	172/25
D741,122	S *	10/2015	Boies	D8/8	
D742,929	S *	11/2015	Ortiz	D15/11	
D749,140	S *	2/2016	Ortiz	D15/11	
2006/0037765	A1 *	2/2006	Basek	A01B 1/14	172/378
2008/0135267	A1 *	6/2008	Karczewski	A01B 1/14	172/378

* cited by examiner

- (73) Assignee: **CORONA CLIPPER, INC.**, Corona, CA (US)

Primary Examiner — Sheryl Lane

(**) Term: **15 Years**

(21) Appl. No.: **29/613,483**

(22) Filed: **Aug. 10, 2017**

(51) **LOC (11) Cl.** **08-01**

(52) **U.S. Cl.**
USPC **D8/6**

(58) **Field of Classification Search**
USPC D8/1, 6, 7, 11, 13, 9; D15/11
CPC A01B 1/14; A01B 1/22; A01B 1/06; A01B 1/243; A01B 1/20; A01G 20/30
See application file for complete search history.

(56) **References Cited**

U.S. PATENT DOCUMENTS

2,082,476	A *	6/1937	Allen	A01G 20/30	172/25
D305,604	S *	1/1990	Kebbek	D8/7	

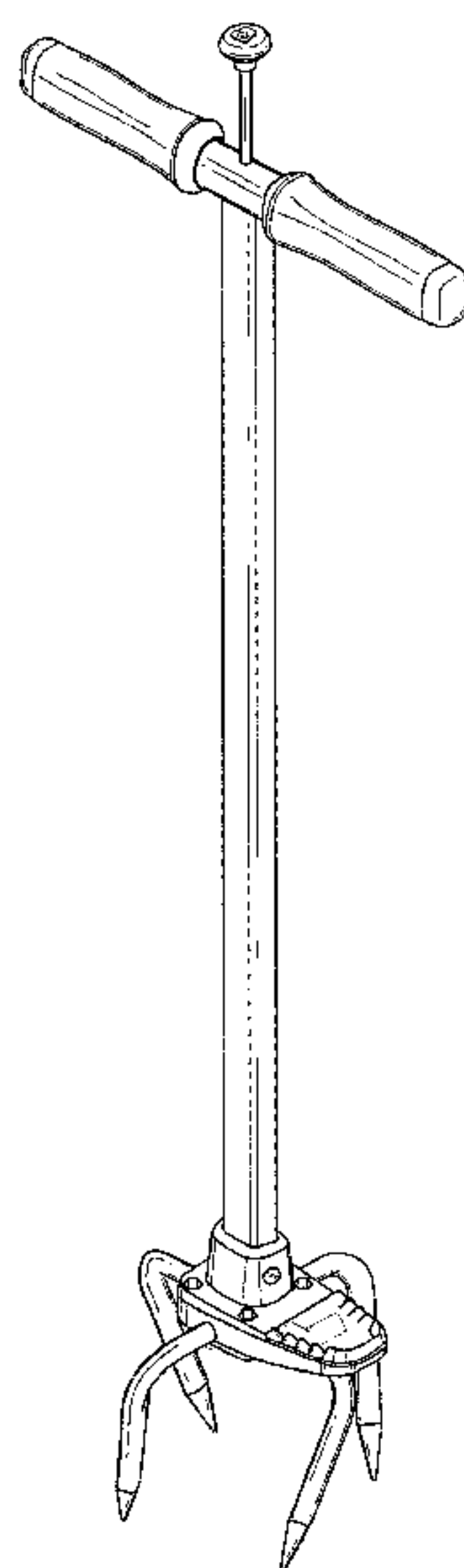
(57) **CLAIM**

The ornamental design for a cultivator, as shown and described.

DESCRIPTION

FIG. 1 is a front perspective of a cultivator showing my new design;
FIG. 2 is a front elevational view thereof;
FIG. 3 is a back elevational view thereof;
FIG. 4 is a left side elevational view thereof;
FIG. 5 is a right side elevational view thereof;
FIG. 6 is a top plan view thereof; and,
FIG. 7 is a bottom plan view thereof.
The matter displayed in dashed lines indicates context and does not form any part of the claimed design.

1 Claim, 5 Drawing Sheets



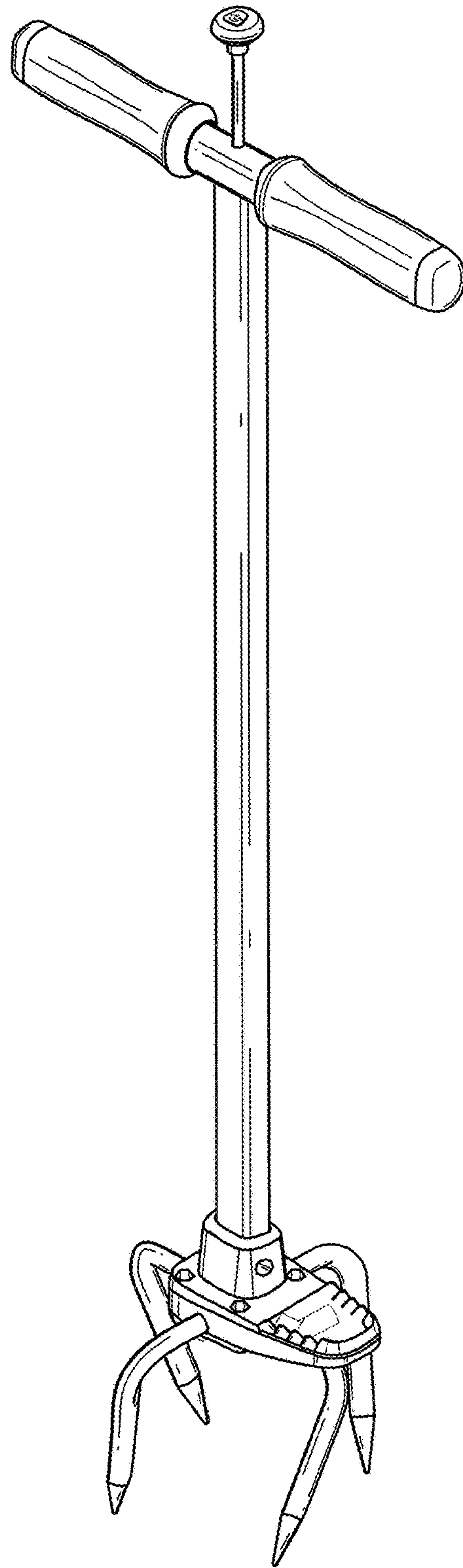


FIG. 1

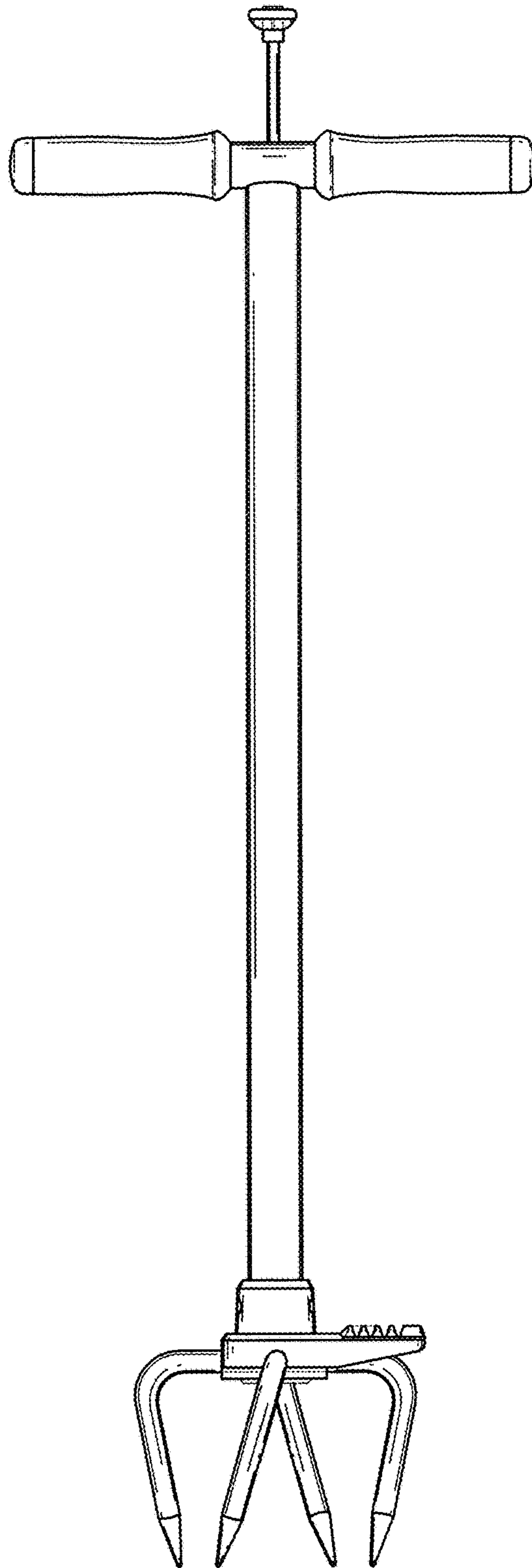


FIG. 2

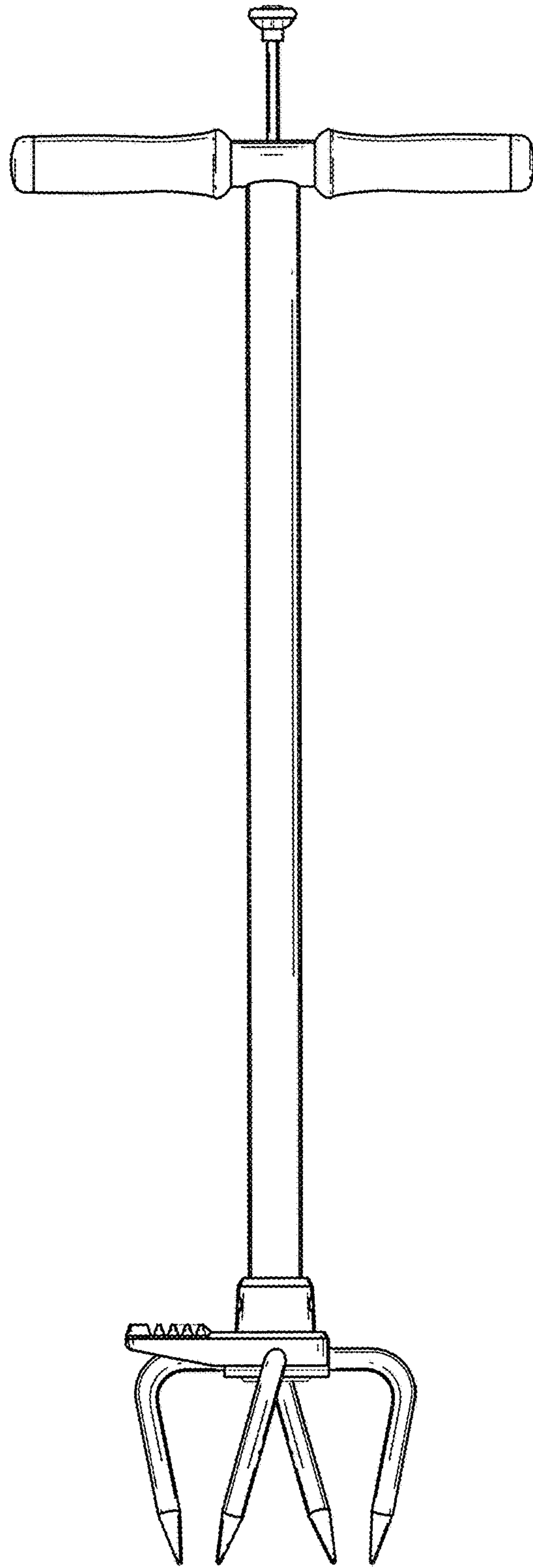


FIG. 3

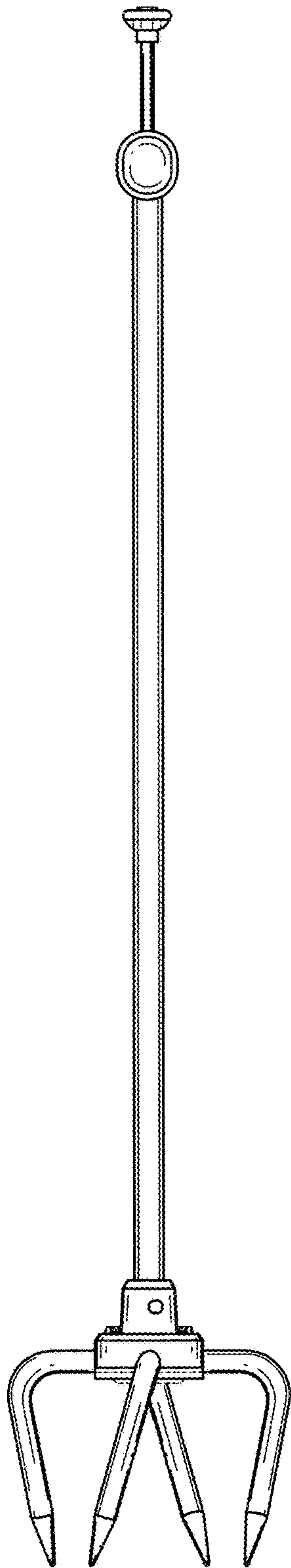


FIG. 4

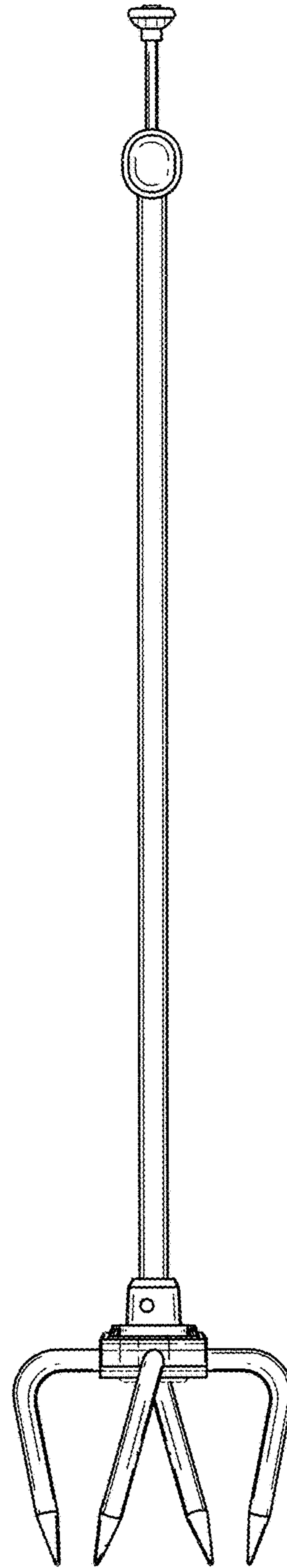


FIG. 5

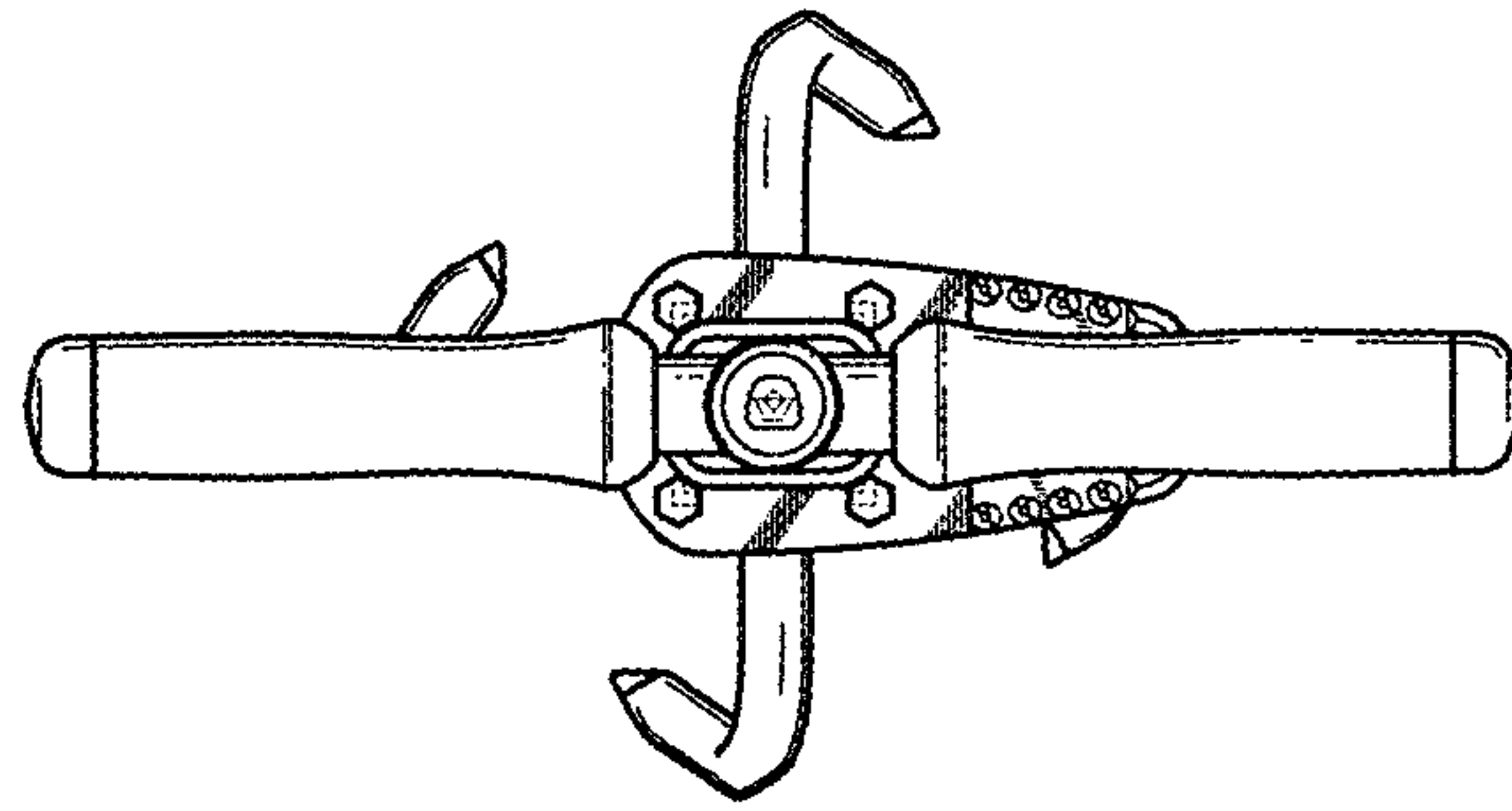


FIG. 6

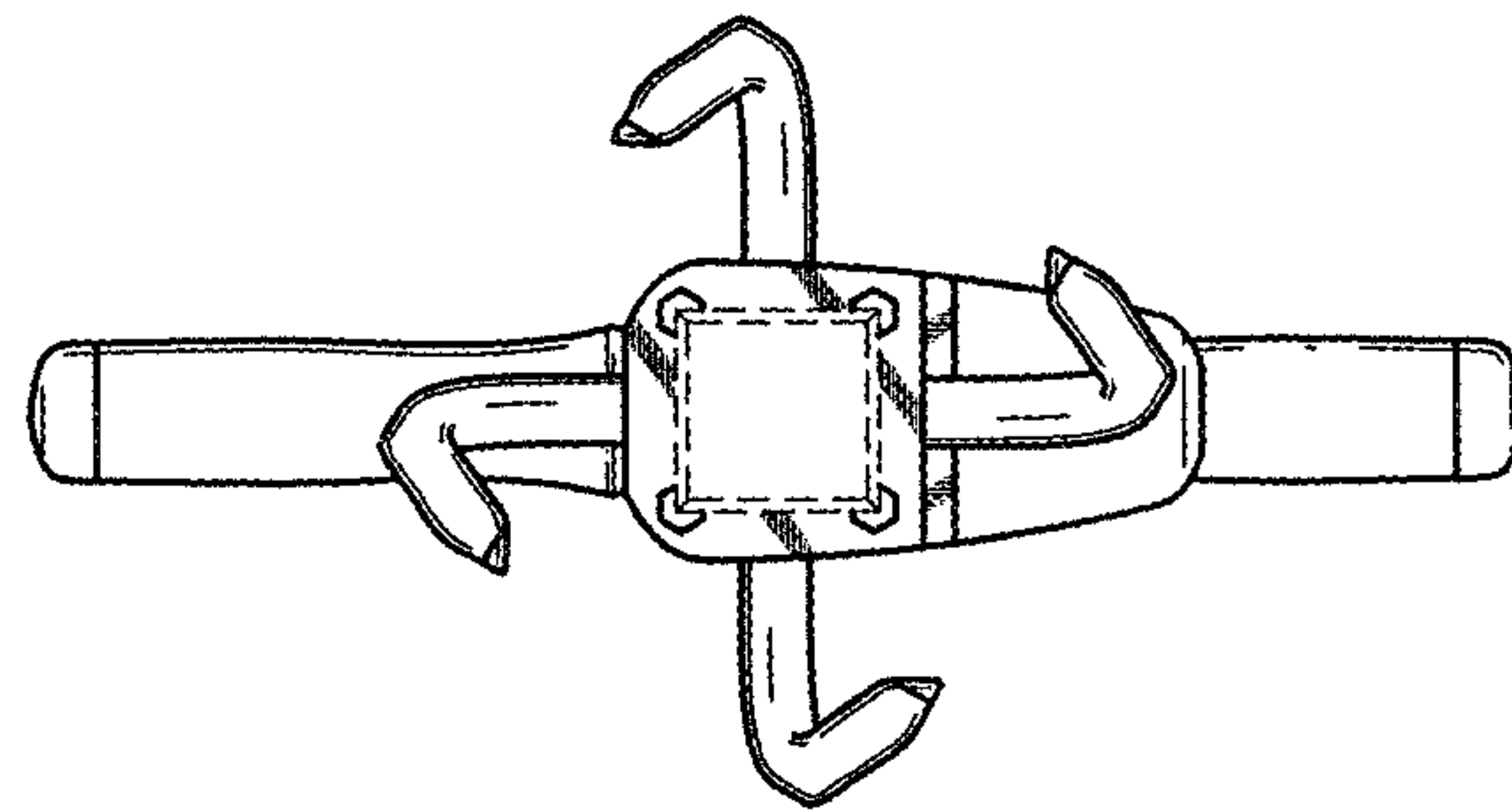


FIG. 7