



US00D838149S

(12) **United States Design Patent**
Hanson

(10) **Patent No.:** **US D838,149 S**

(45) **Date of Patent:** **** Jan. 15, 2019**

(54) **ANCHORING STAKE**

(71) Applicant: **Daniel W. Hanson**, Orange, CA (US)

(72) Inventor: **Daniel W. Hanson**, Orange, CA (US)

(**) Term: **15 Years**

(21) Appl. No.: **29/615,322**

(22) Filed: **Aug. 28, 2017**

(51) **LOC (11) Cl.** **08-01**

(52) **U.S. Cl.**
USPC **D8/1**

(58) **Field of Classification Search**
USPC D8/1, 349, 391; D3/10
See application file for complete search history.

(56) **References Cited**

U.S. PATENT DOCUMENTS

| | | | | | |
|--------------|------|---------|------------------|-------|--------------------------|
| 2,431,609 | A * | 11/1947 | Clapper | | E02D 5/803 52/161 |
| 3,282,002 | A * | 11/1966 | Jefferson | | B63B 21/26 52/162 |
| 5,613,458 | A | 3/1997 | Owen | | |
| 6,481,364 | B2 | 11/2002 | Woyjeck | | |
| 6,606,829 | B2 | 8/2003 | Benincasa et al. | | |
| 6,908,067 | B2 | 6/2005 | Clasen | | |
| 9,187,925 | B2 * | 11/2015 | Esarey | | E04H 15/62 |
| D815,929 | S * | 4/2018 | Sigston | | D8/1 |
| D825,291 | S * | 8/2018 | McDaniel | | D8/1 |
| 2003/0084620 | A1 * | 5/2003 | Benincasa | | E02D 5/80 52/155 |
| 2005/0274083 | A1 | 12/2005 | Shearer | | |
| 2009/0114795 | A1 | 5/2009 | Giannetto | | |
| 2012/0240867 | A1 * | 9/2012 | Flynn | | A01K 1/04 119/721 |
| 2014/0230866 | A1 * | 8/2014 | Paolucci | | E04H 12/2215 135/15.1 |

* cited by examiner

Primary Examiner — Sheryl Lane

(74) *Attorney, Agent, or Firm* — Charmasson, Buchaca & Leach, LLP

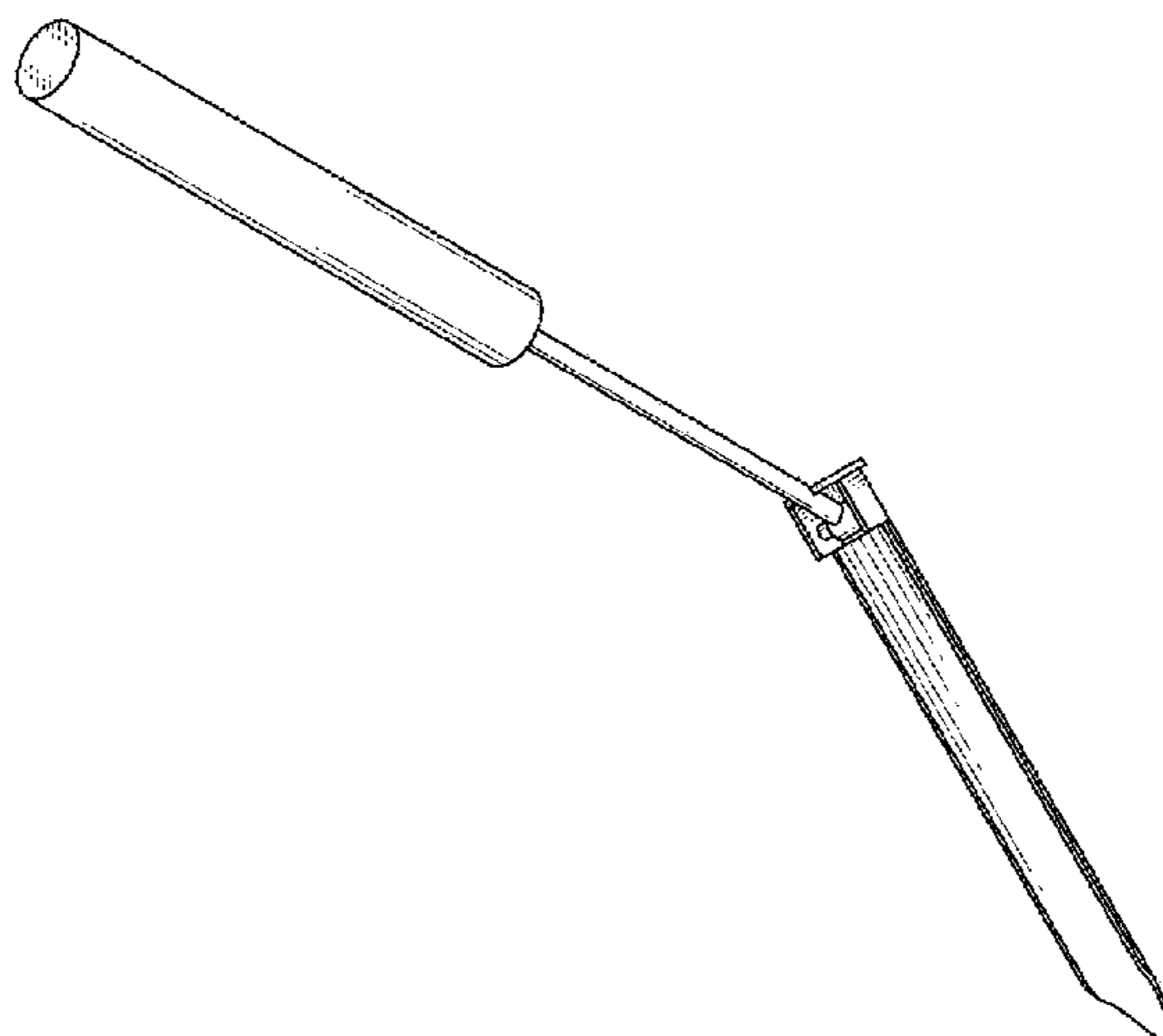
(57) **CLAIM**

The ornamental design for an anchoring stake, as shown and described.

DESCRIPTION

FIG. 1 is a bottom, right, back perspective view of an anchoring stake showing an embodiment of my new design. FIG. 2 is a top, left, front perspective view thereof. FIG. 3 is a right side elevation view thereof. FIG. 4 is a front elevation view thereof. FIG. 5 is a back elevation view thereof. FIG. 6 is a left side elevation view thereof. FIG. 7 is a top plan view thereof. FIG. 8 is a bottom plan view thereof. FIG. 9 is a bottom, right, back perspective view of an anchoring stake showing an embodiment of my new design having a tether attachment eyelet. FIG. 10 is a top, left, front perspective view thereof. FIG. 11 is a right side elevation view thereof. FIG. 12 is a front elevation view thereof. FIG. 13 is a back elevation view thereof. FIG. 14 is a left side elevation view thereof. FIG. 15 is a top plan view thereof; and, FIG. 16 is a bottom plan view thereof. Shading lines are used to show solid structures and are not intended to indicate surface decoration.

1 Claim, 4 Drawing Sheets



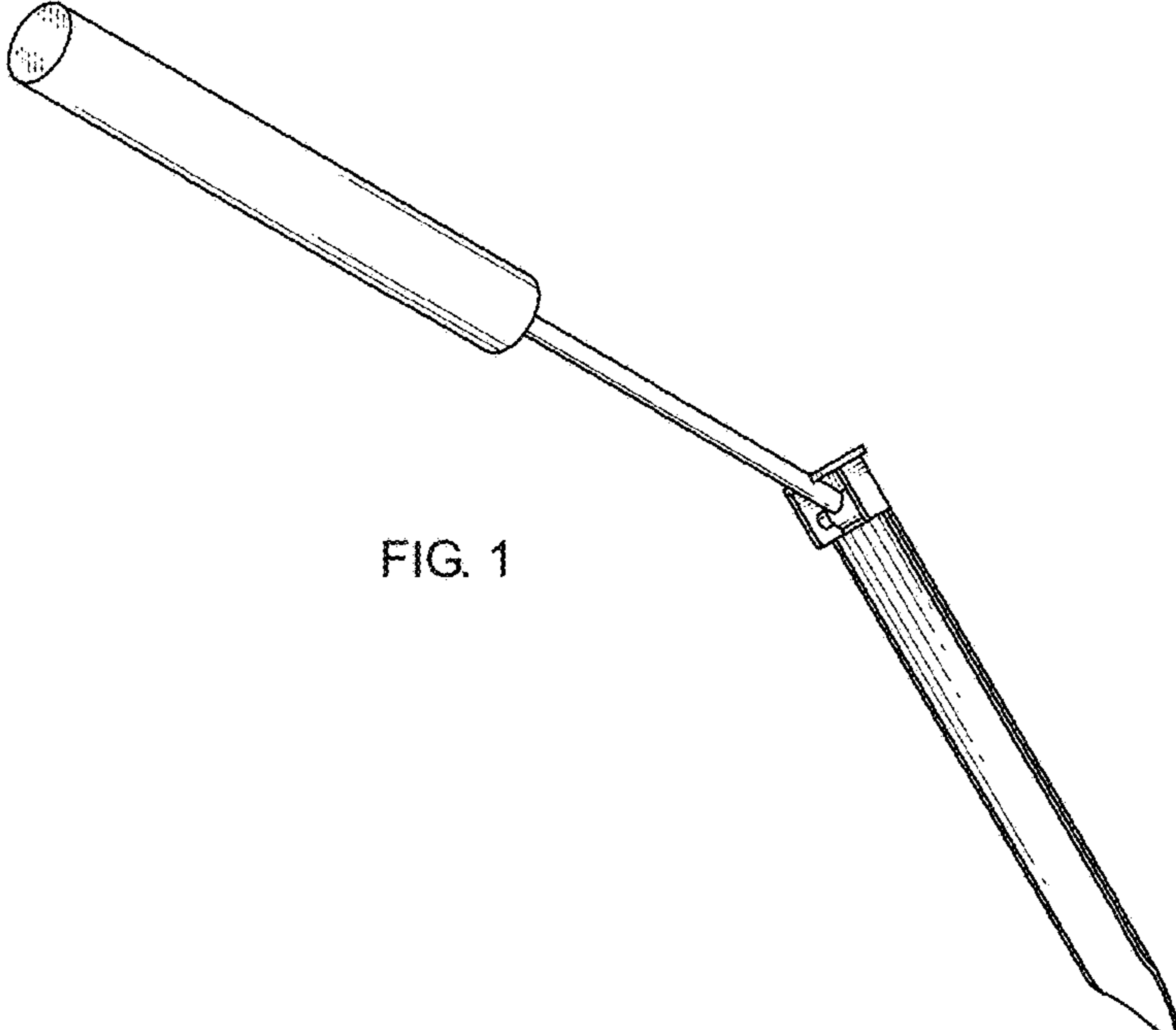


FIG. 1

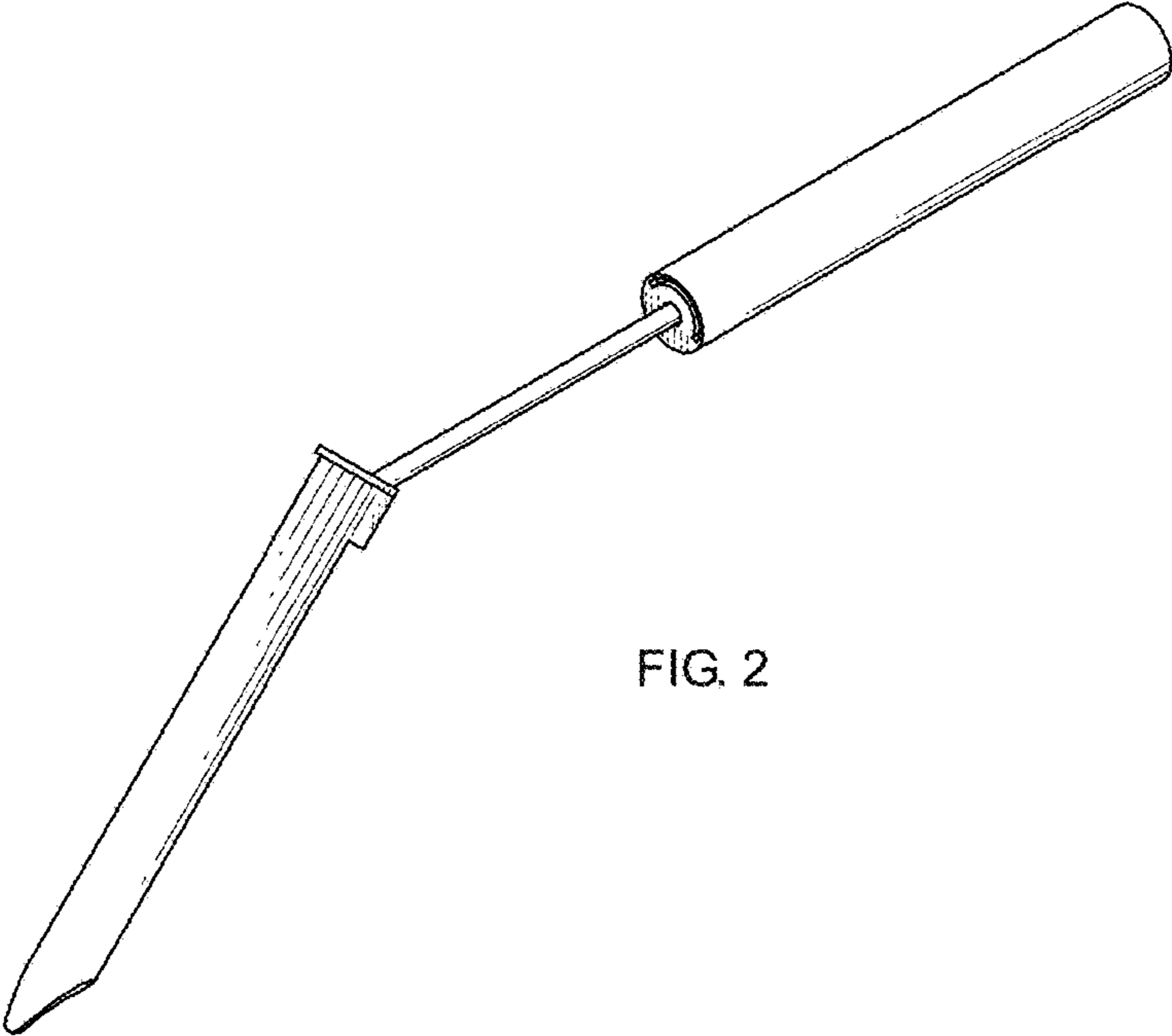


FIG. 2

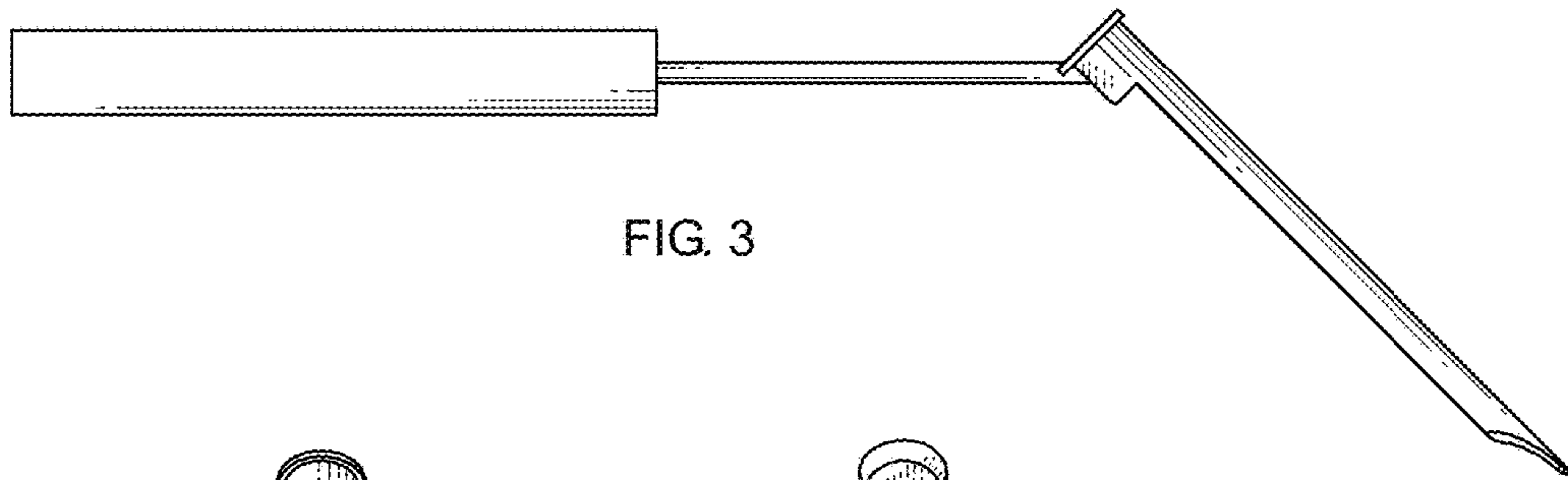


FIG. 3

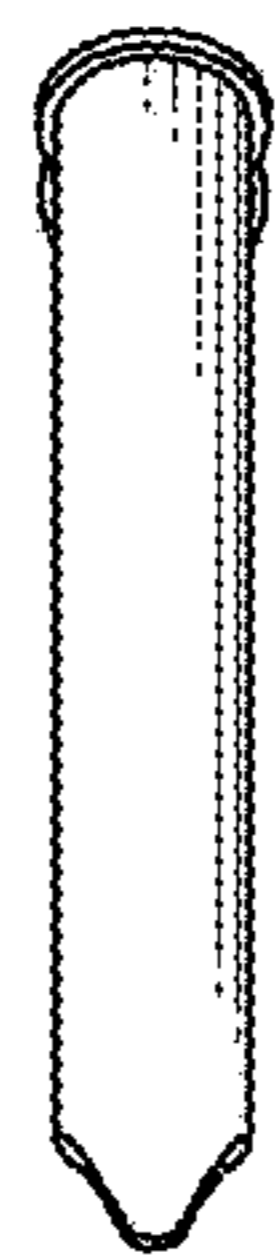


FIG. 4

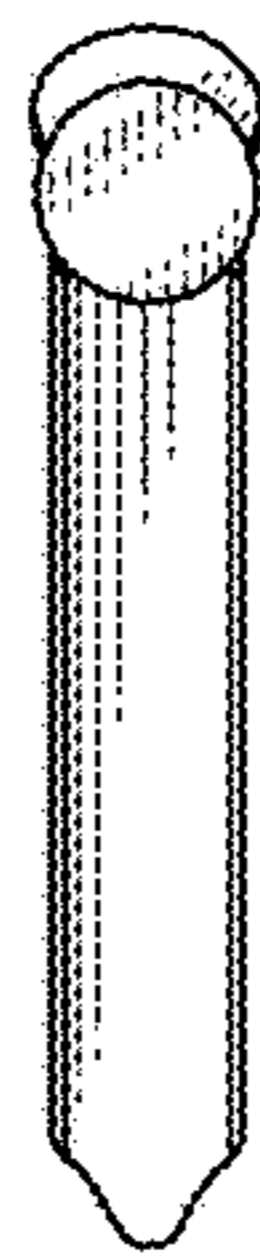


FIG. 5

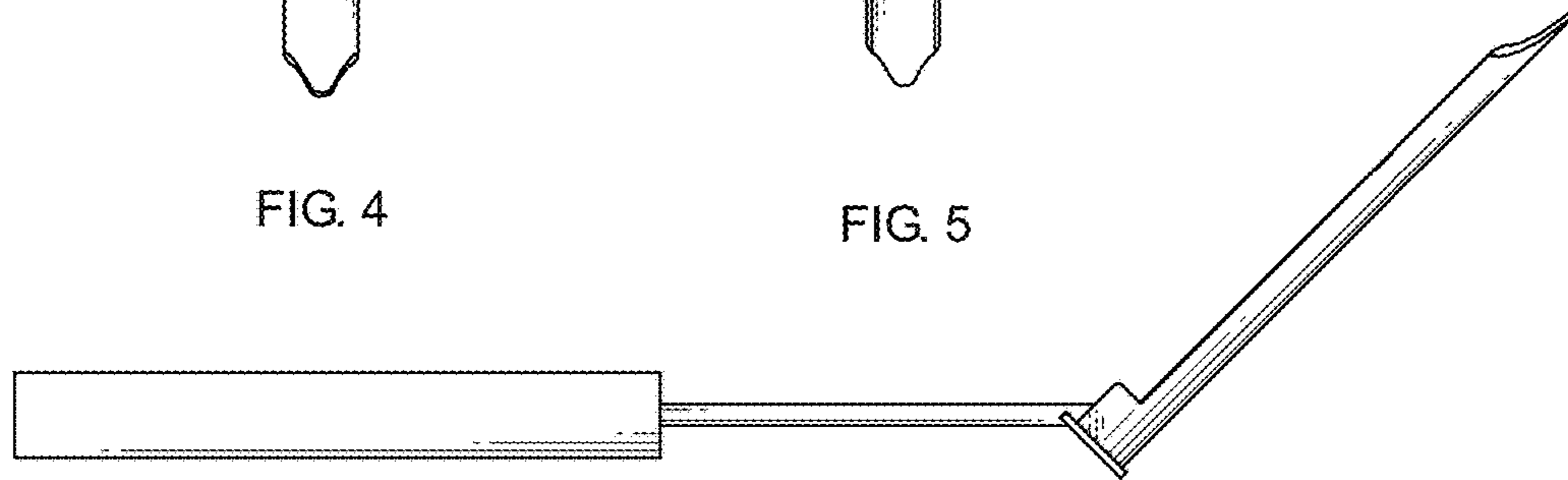


FIG. 6

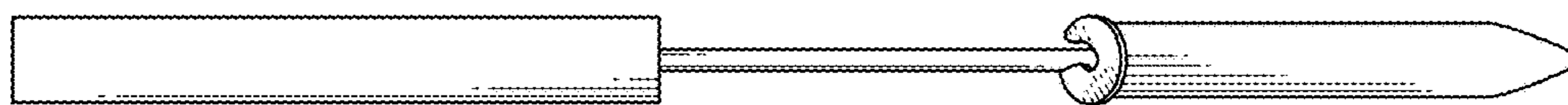


FIG. 7



FIG. 8

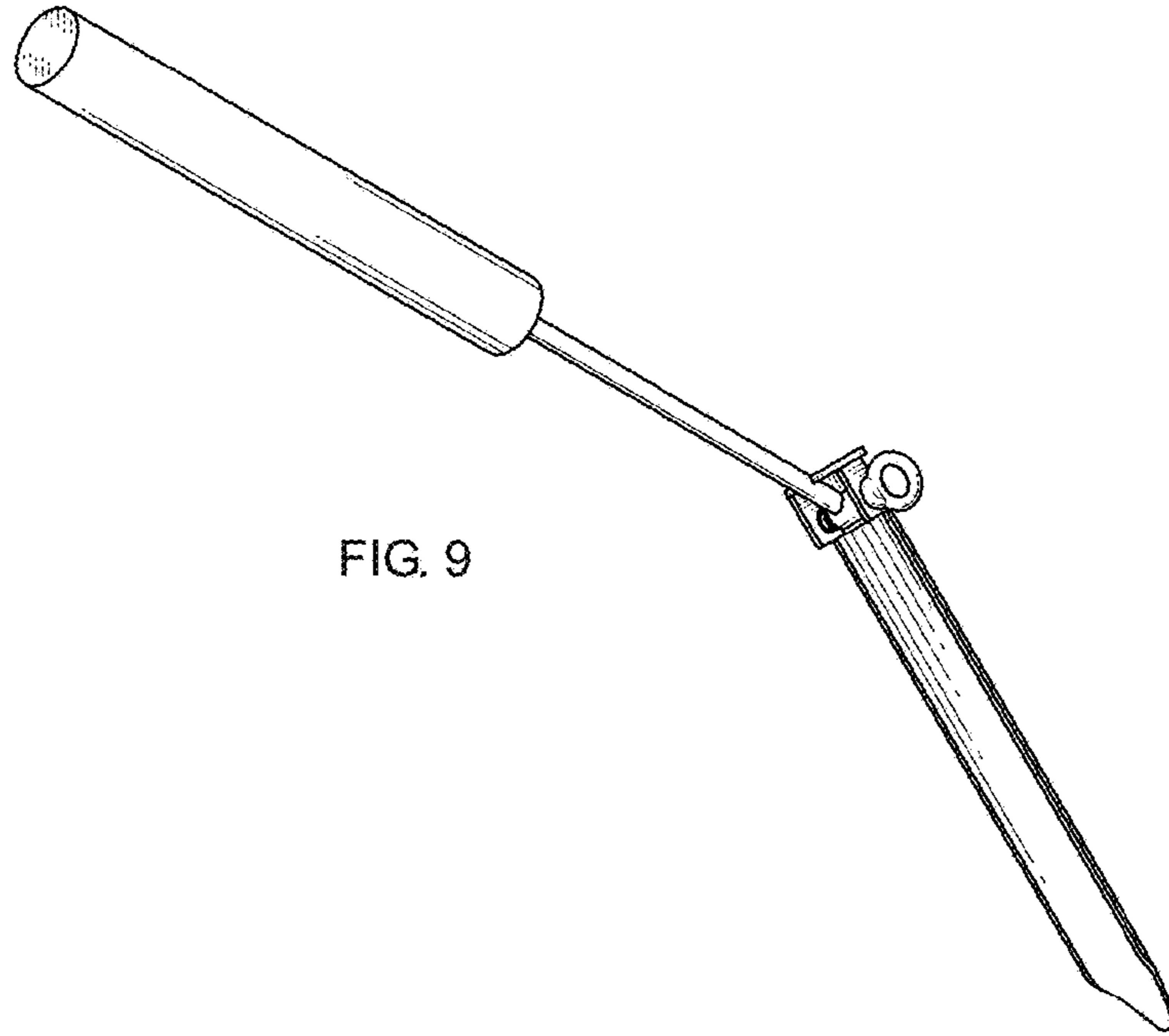


FIG. 9

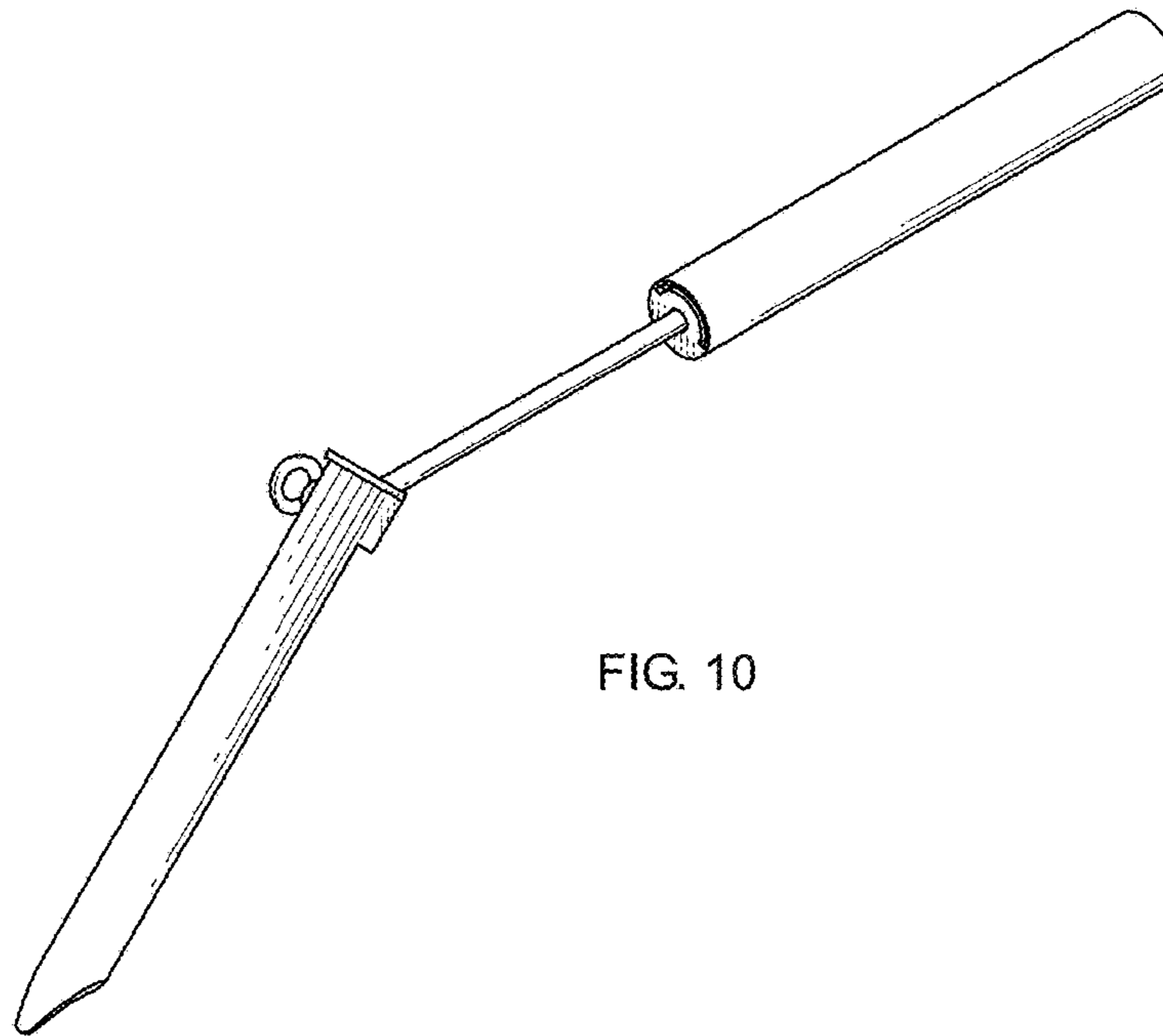


FIG. 10

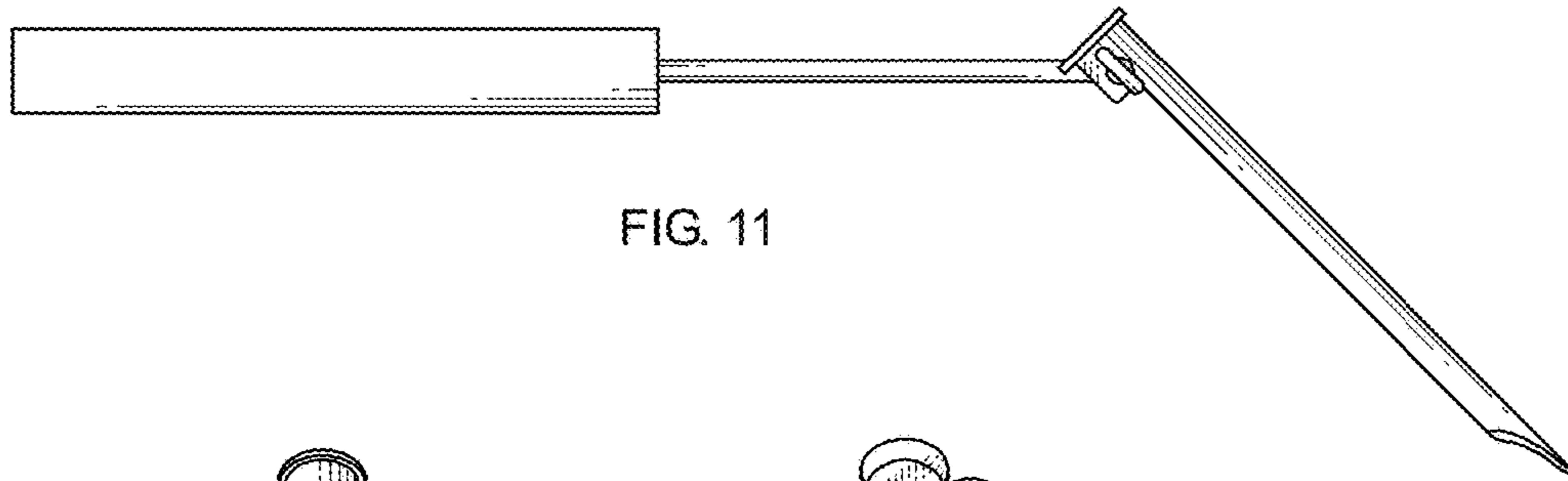


FIG. 11

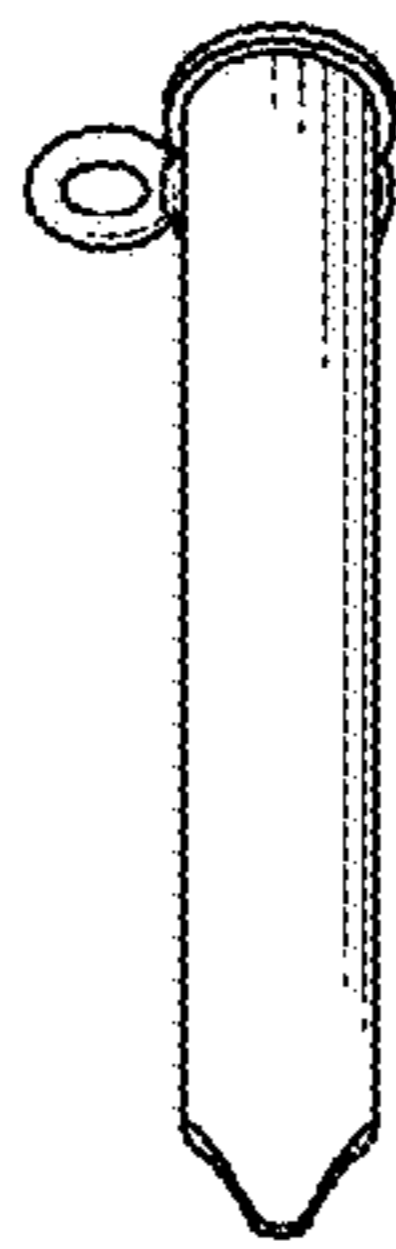


FIG. 12

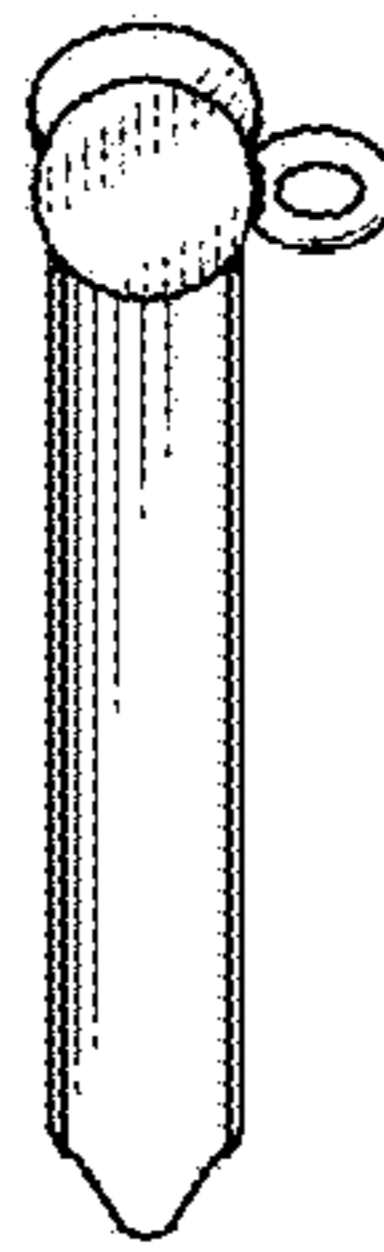


FIG. 13

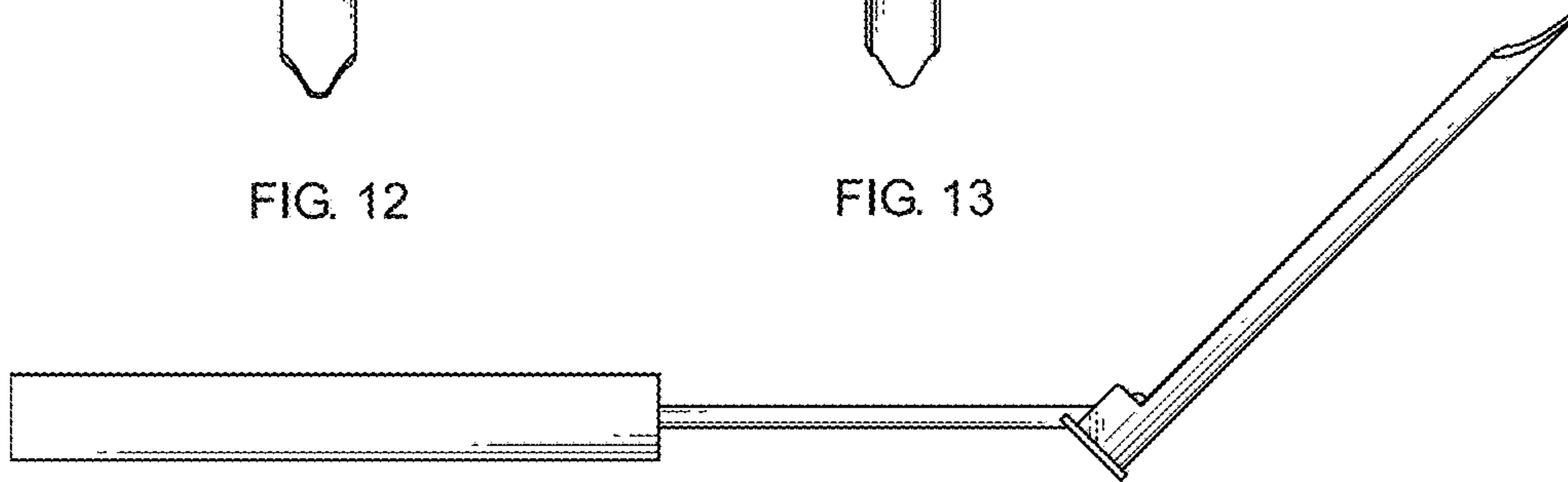


FIG. 14

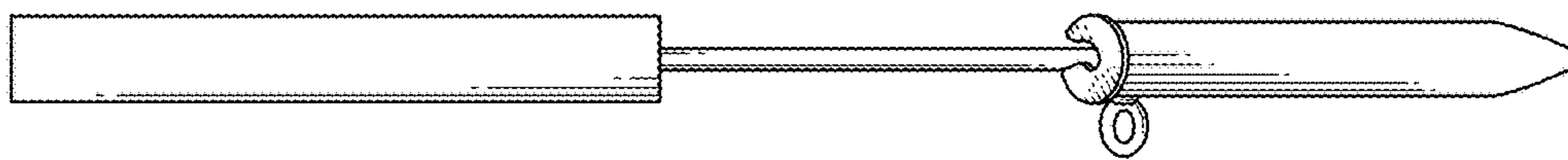


FIG. 15

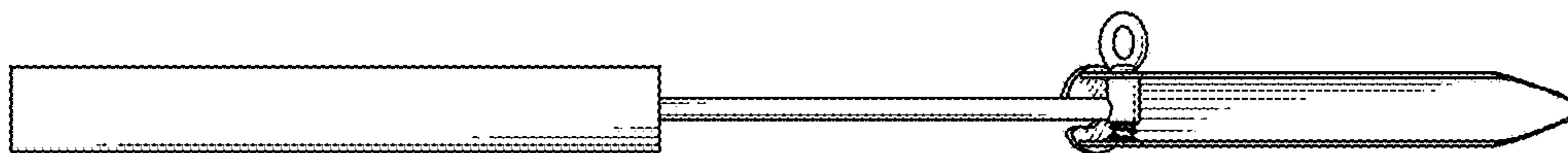


FIG. 16