



US00D838148S

(12) **United States Design Patent**
Umholtz

(10) **Patent No.:** **US D838,148 S**

(45) **Date of Patent:** **** Jan. 15, 2019**

(54) **HERB SLICING DEVICE**

(71) Applicant: **Mason Umholtz**, Brooklyn, NY (US)

(72) Inventor: **Mason Umholtz**, Brooklyn, NY (US)

(73) Assignee: **HELEN OF TROY LIMITED**, St. Michael (BB)

(**) Term: **15 Years**

(21) Appl. No.: **29/631,002**

(22) Filed: **Dec. 26, 2017**

(51) **LOC (11) Cl.** **07-04**

(52) **U.S. Cl.**
USPC **D7/693**

(58) **Field of Classification Search**

USPC D7/693, 381, 669, 368, 675, 673; D8/93, D8/98, 102, 104, 105; D15/126
CPC . B26D 3/283; B26D 3/00; B26D 3/24; B26D 3/36; A47J 17/02; A47J 17/00; A47J 17/04; A47J 17/06; A47J 17/08; A47J 43/00; A47J 43/0722; A47J 43/28
See application file for complete search history.

(56) **References Cited**

U.S. PATENT DOCUMENTS

D137,168 S * 2/1944 Jacobson D15/126
D183,392 S * 8/1958 Kernicki 452/105

D601,864 S * 10/2009 Murray D7/693
7,909,687 B2 * 3/2011 Al-Harbi A47J 43/18
460/134
D675,488 S * 2/2013 Prommel D7/693
D681,081 S * 4/2013 Neal, Jr. D15/139
9,718,198 B2 * 8/2017 Ryun A47J 17/00

* cited by examiner

Primary Examiner — Terry A Wallace

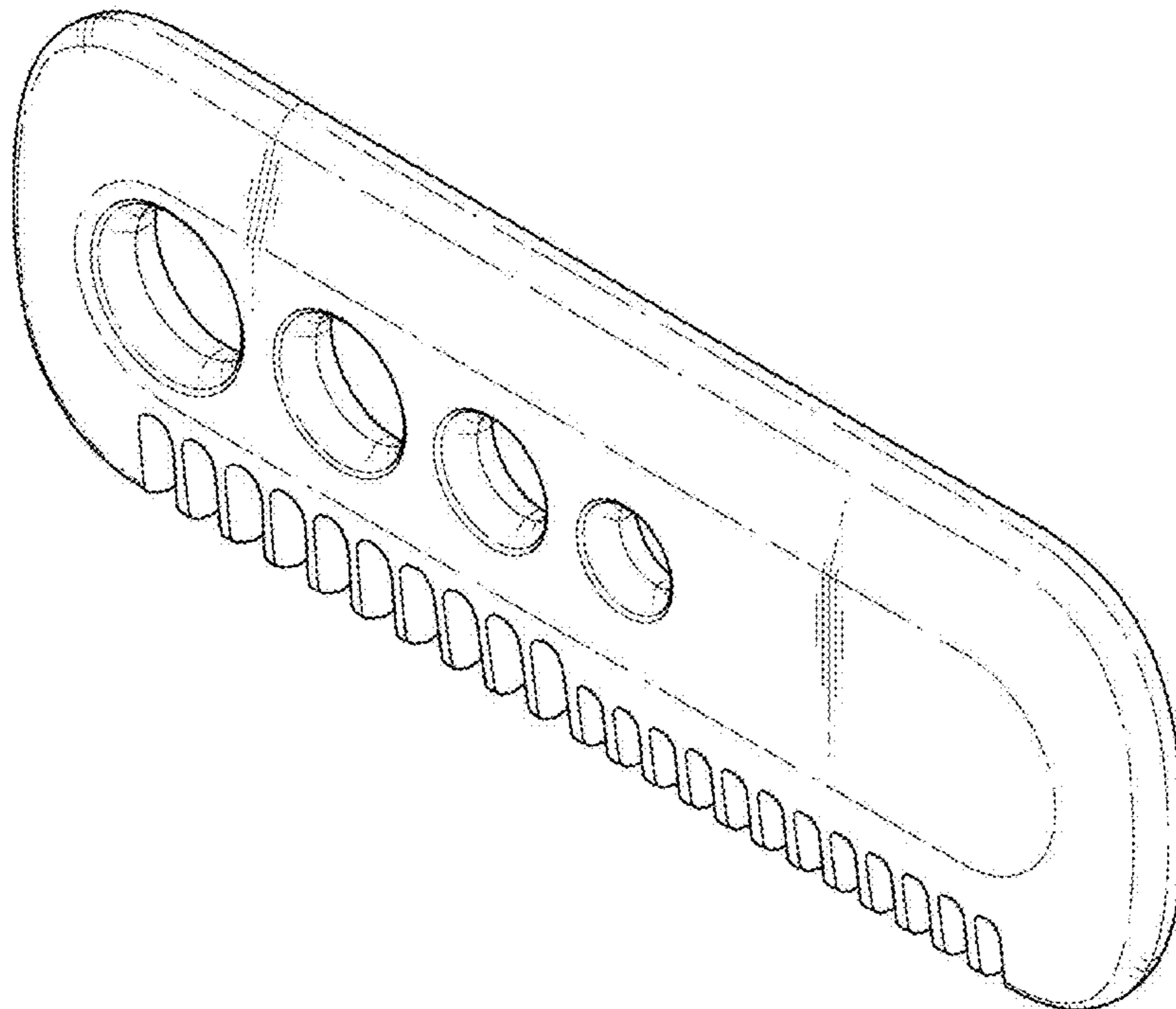
(57) **CLAIM**

The ornamental design for a herb slicing device, as shown, and described.

DESCRIPTION

FIG. 1 is a perspective view of a herb slicing device; FIG. 2 is a left elevation view thereof; FIG. 3 is a right elevation view thereof; FIG. 4 is a top view thereof; FIG. 5 is a bottom view thereof; and, FIG. 6 is a front elevation view thereof (with the rear a mirror image thereof).
The broken lines represent structure which form no part of the claimed design.

1 Claim, 6 Drawing Sheets



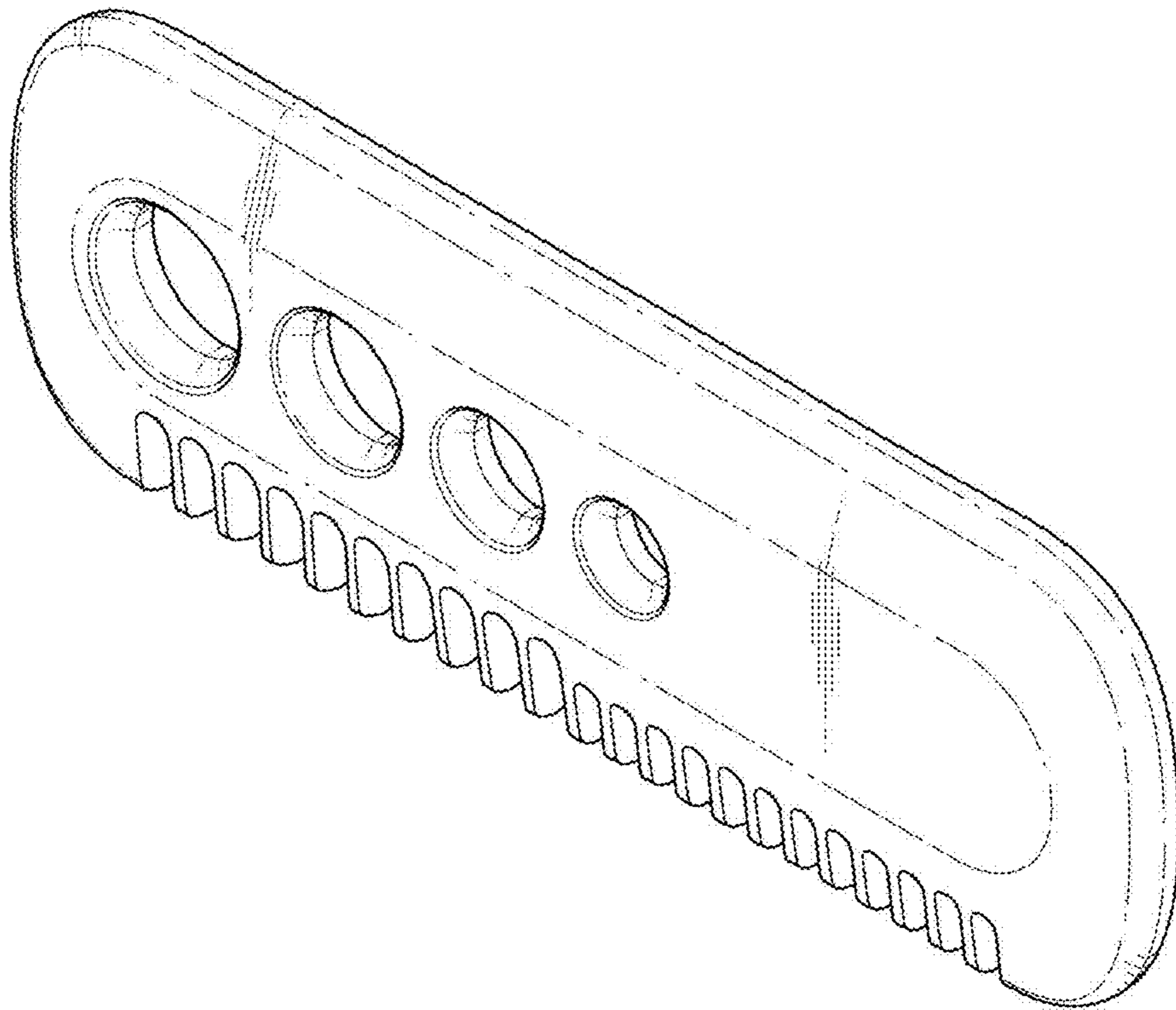


FIG. 1

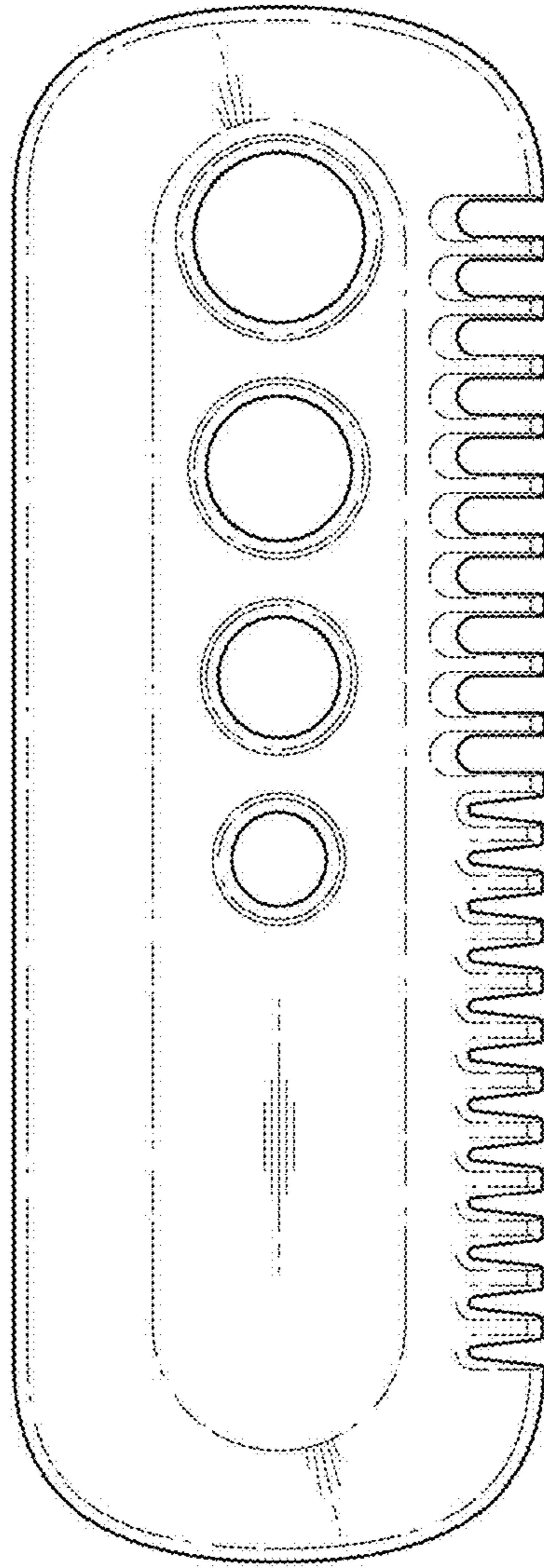


FIG. 2

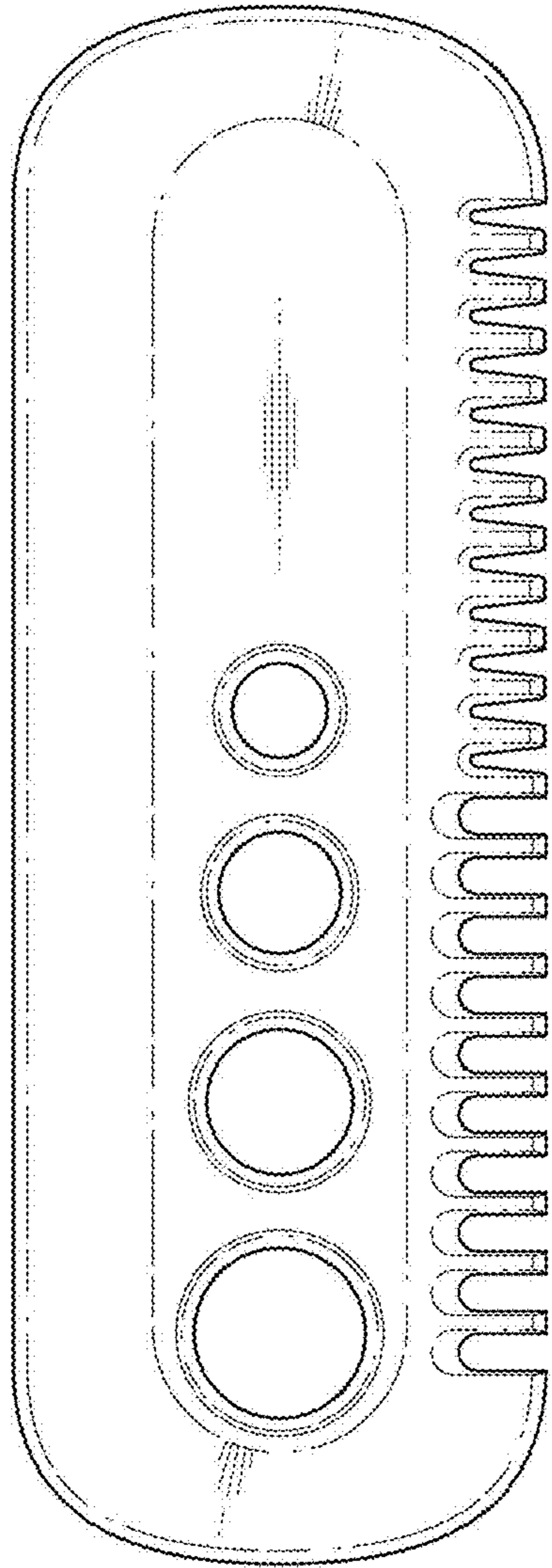


FIG. 3



FIG. 4



FIG. 5

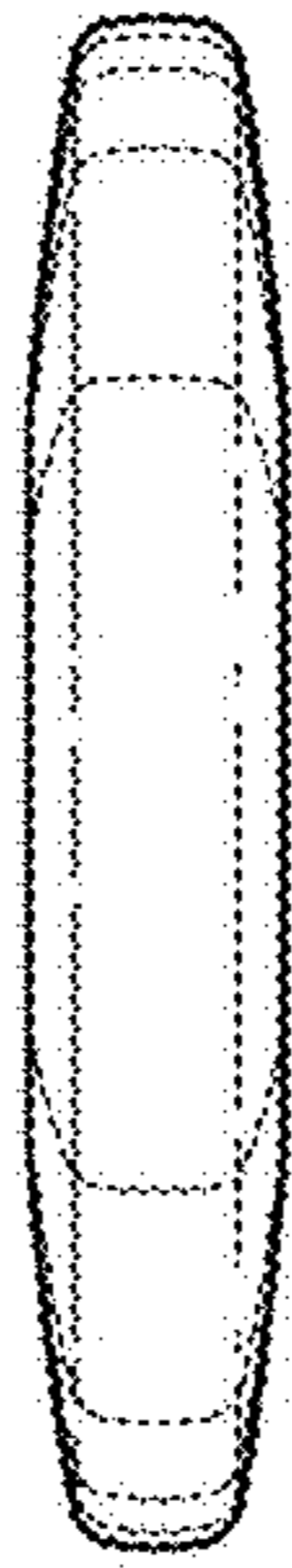


FIG. 6