



US00D838147S

(12) **United States Design Patent**  
**Kim**

(10) **Patent No.:** **US D838,147 S**

(45) **Date of Patent:** **\*\* Jan. 15, 2019**

- (54) **FOOD CHOPPING DEVICE**
- (71) Applicant: **Sunny Kim**, Douglaston, NY (US)
- (72) Inventor: **Sunny Kim**, Douglaston, NY (US)
- (73) Assignee: **HELEN OF TROY LIMITED**, St. Michael (BB)
- (\*\*) Term: **15 Years**
- (21) Appl. No.: **29/628,220**
- (22) Filed: **Dec. 3, 2017**
- (51) **LOC (11) Cl.** ..... **07-04**
- (52) **U.S. Cl.**  
USPC ..... **D7/693; D7/384**
- (58) **Field of Classification Search**  
USPC ..... D7/693, 381-386, 368, 669, 412  
CPC ..... B26D 3/11; B26D 3/283; B26D 7/0666;  
B26D 7/0641; B26D 1/02; A23N 7/002;  
A23N 7/026; A47J 17/00; A47J 17/02;  
A47J 17/16; A47J 43/06; A47J 43/1018;  
A47J 43/07; A47J 43/255; A47J 19/00  
See application file for complete search history.

- D427,011 S \* 6/2000 Yip ..... D7/384
- D447,017 S \* 8/2001 Jalet ..... D7/693
- D480,613 S \* 10/2003 Wong ..... D7/384
- 7,059,553 B2 \* 6/2006 Mueller ..... A47J 43/1025  
241/168
- D530,995 S \* 10/2006 Jalet ..... D7/693
- 7,669,793 B2 \* 3/2010 So ..... A47J 43/044  
241/169.1
- 2011/0192290 A1 \* 8/2011 Hauser ..... B26D 3/283  
99/537

\* cited by examiner

*Primary Examiner* — Terry A Wallace

(57) **CLAIM**

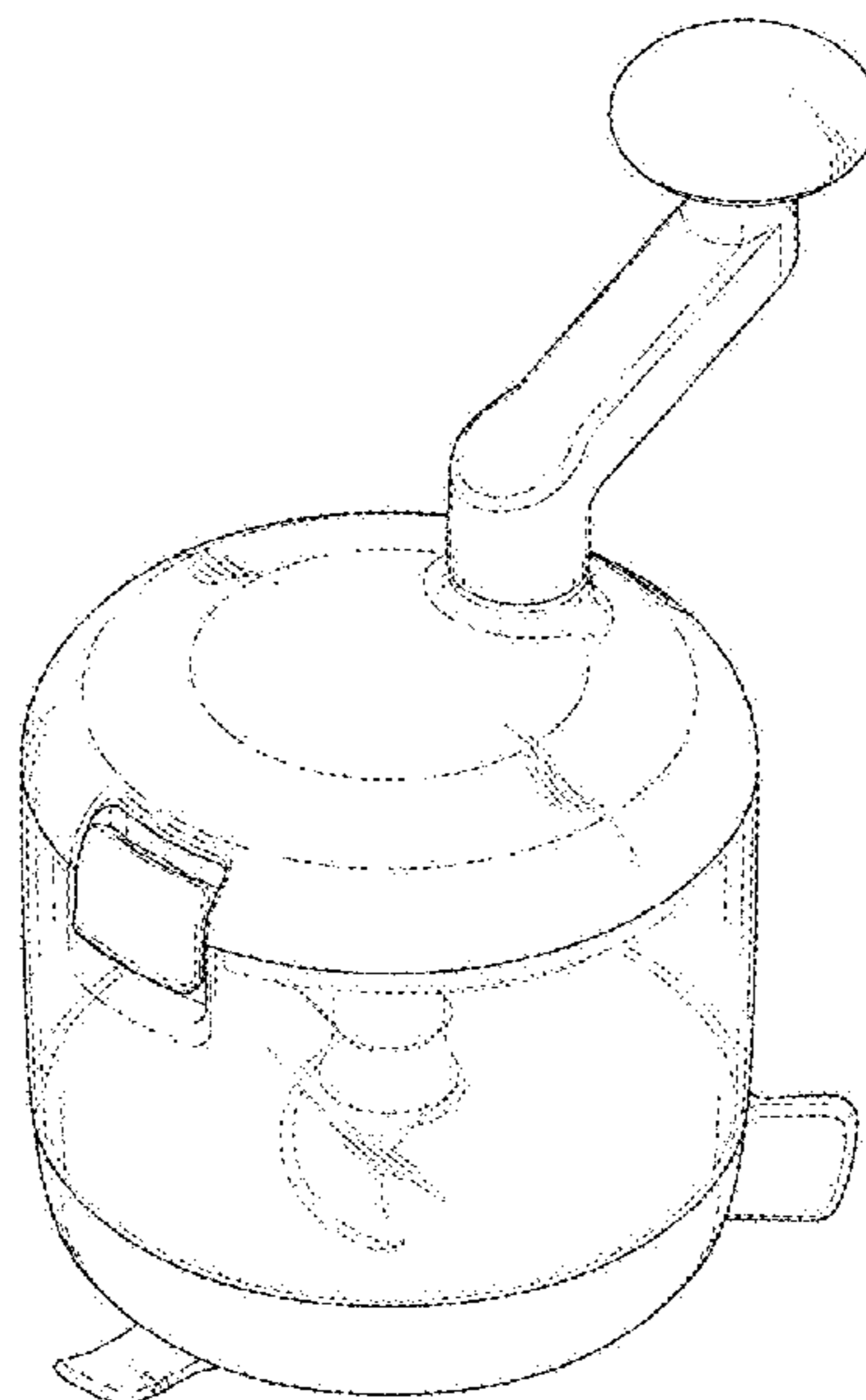
The ornamental design for a food chopping device, as shown, and described.

**DESCRIPTION**

FIG. 1 is a perspective view of a food chopping device; FIG. 2 is a left side elevation view of a food chopping device; FIG. 3 is a right side elevation view of a food chopping device; FIG. 4 is a front elevation view of a food chopping device; FIG. 5 is a rear elevation view of a food chopping device; FIG. 6 is a top view of a food chopping device; and, FIG. 7 is a bottom view of a food chopping device. The broken lines in the drawing views represent unclaimed portions of a food chopping device, which are included for the purpose of illustrating unclaimed environment only, and forms no part of the claimed design.

**1 Claim, 7 Drawing Sheets**

- (56) **References Cited**  
U.S. PATENT DOCUMENTS  
4,588,136 A \* 5/1986 Homma ..... A23G 9/045  
241/168  
D395,194 S \* 6/1998 Wong ..... D7/376  
D415,938 S \* 11/1999 Blaise ..... D7/678



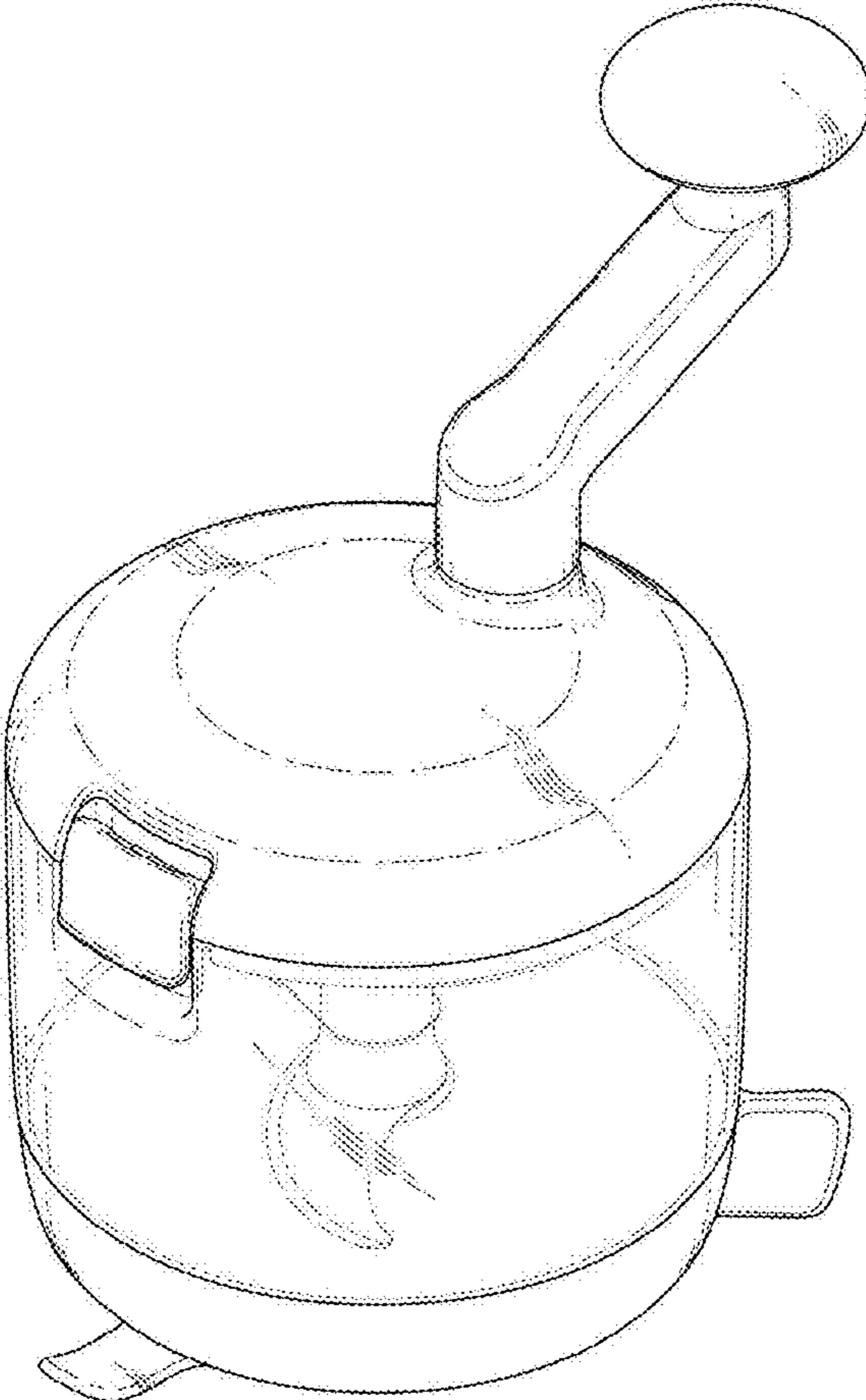


FIG. 1

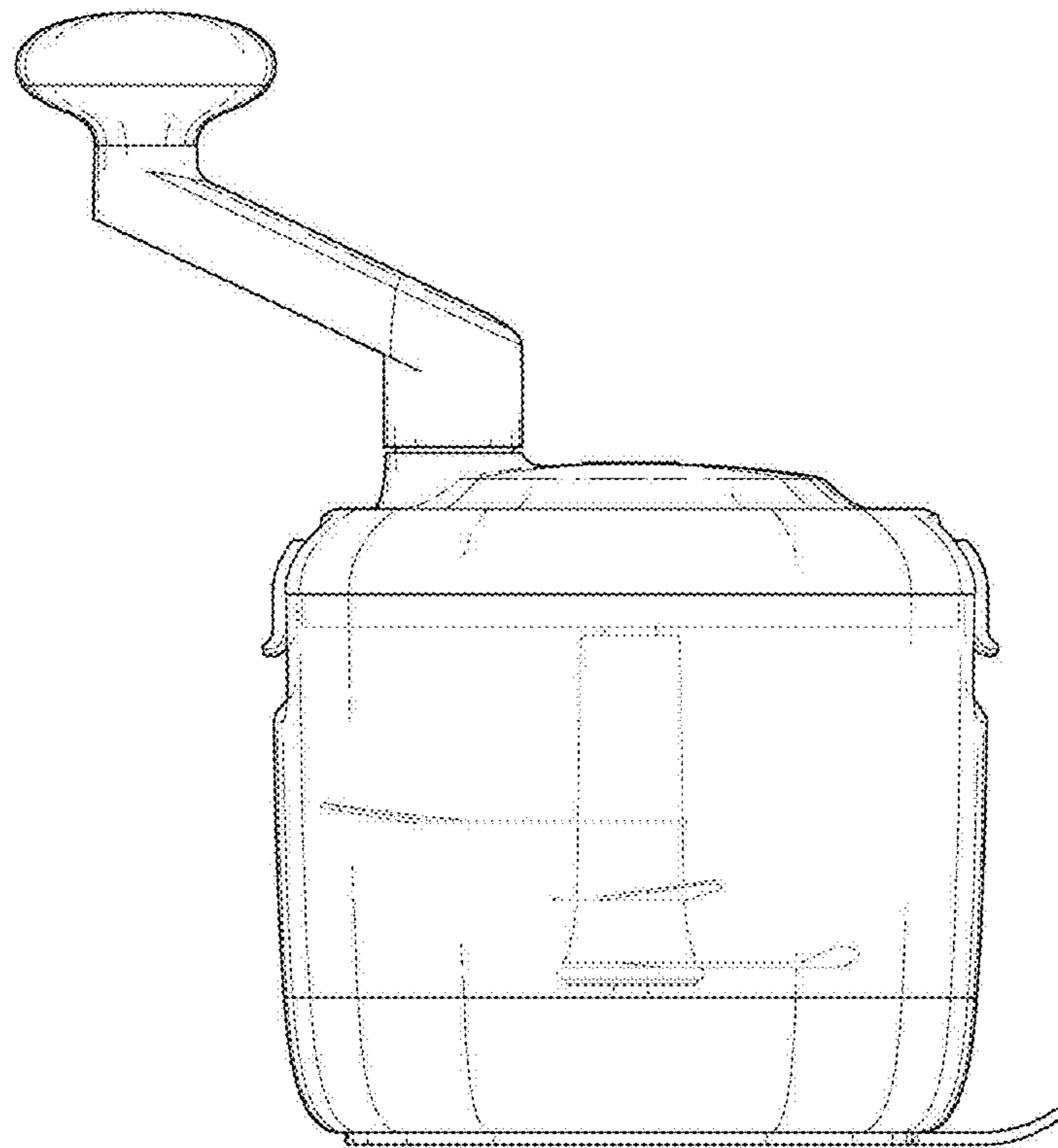


FIG. 2

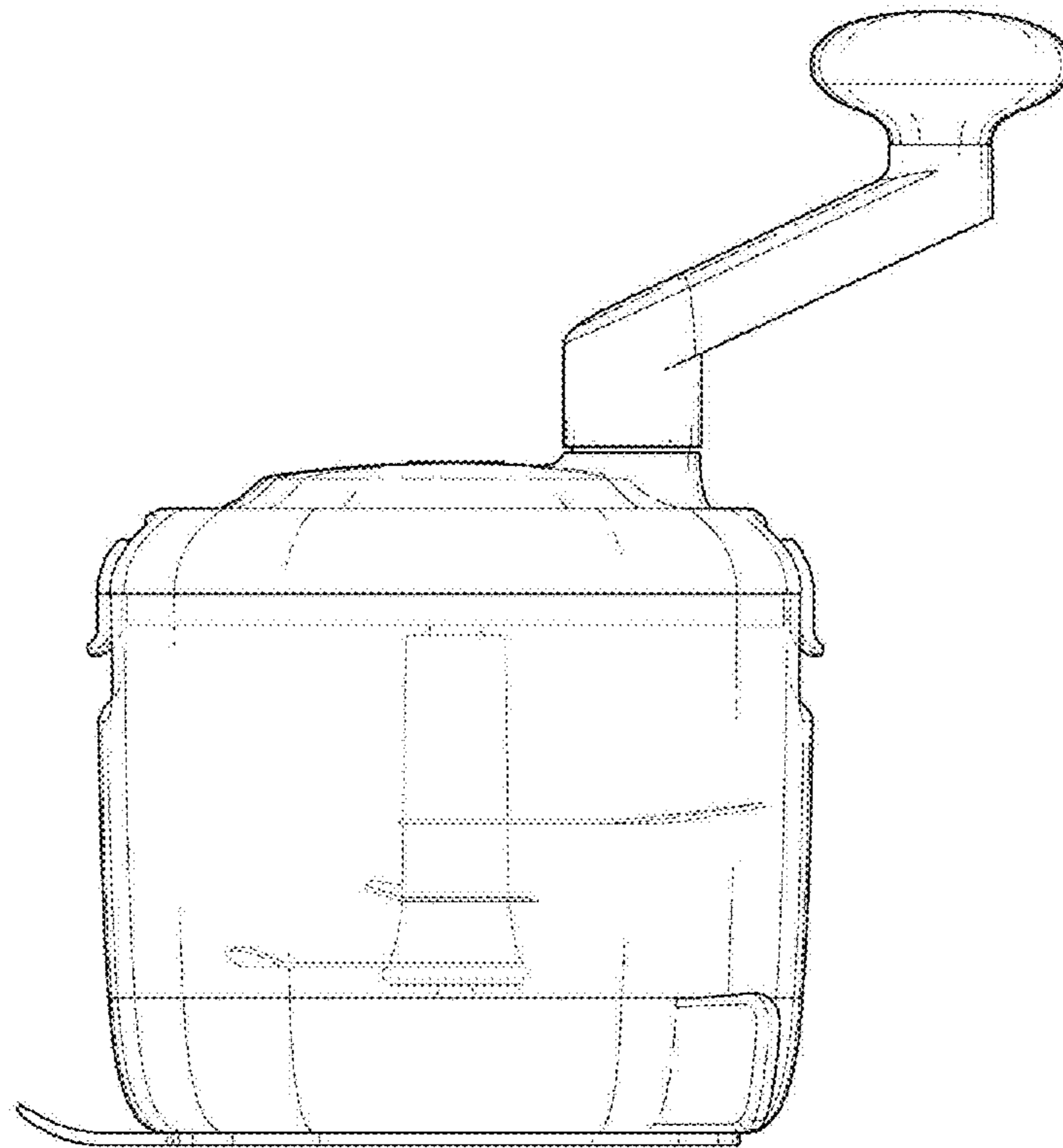


FIG. 3

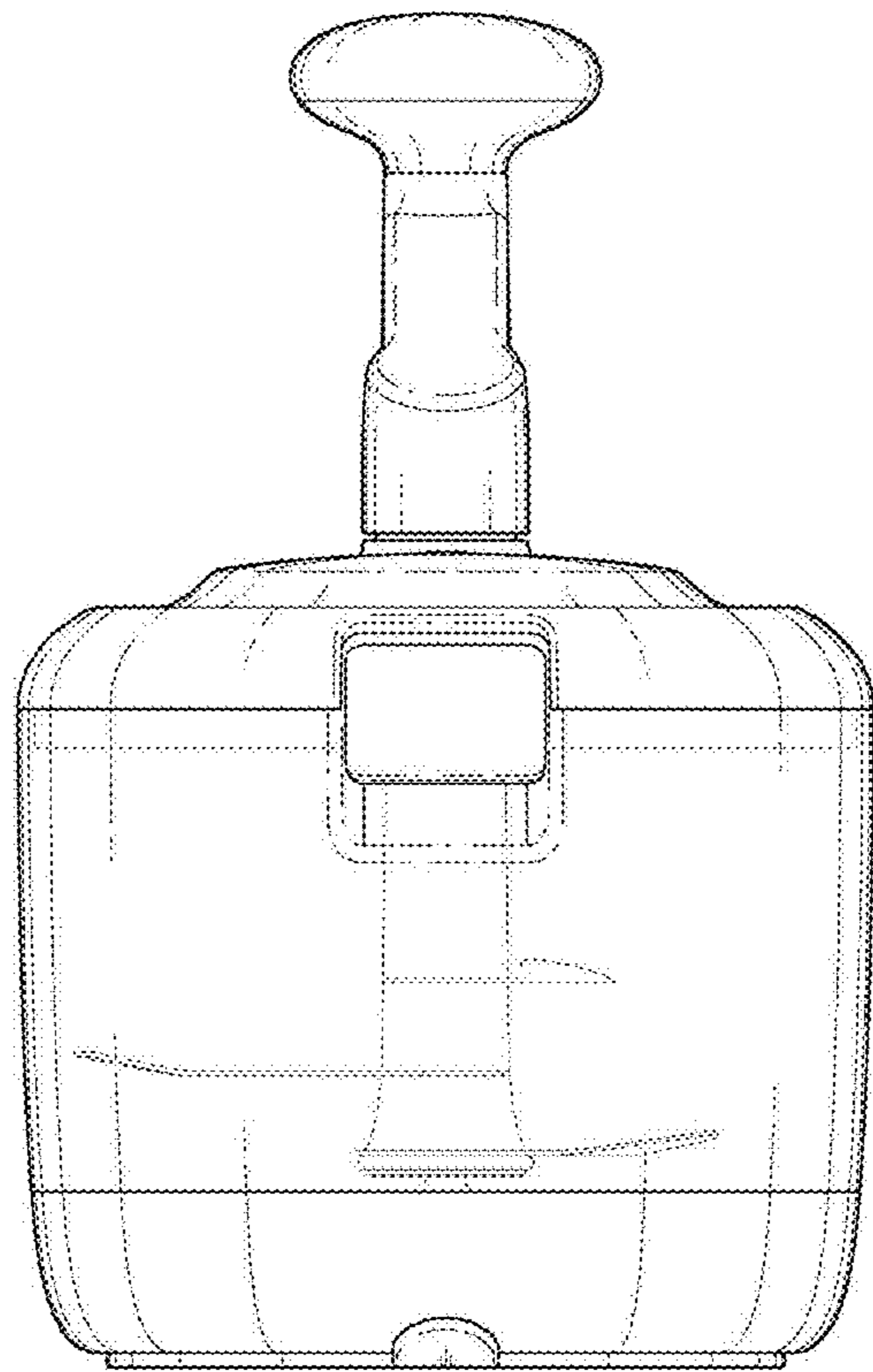


FIG. 4

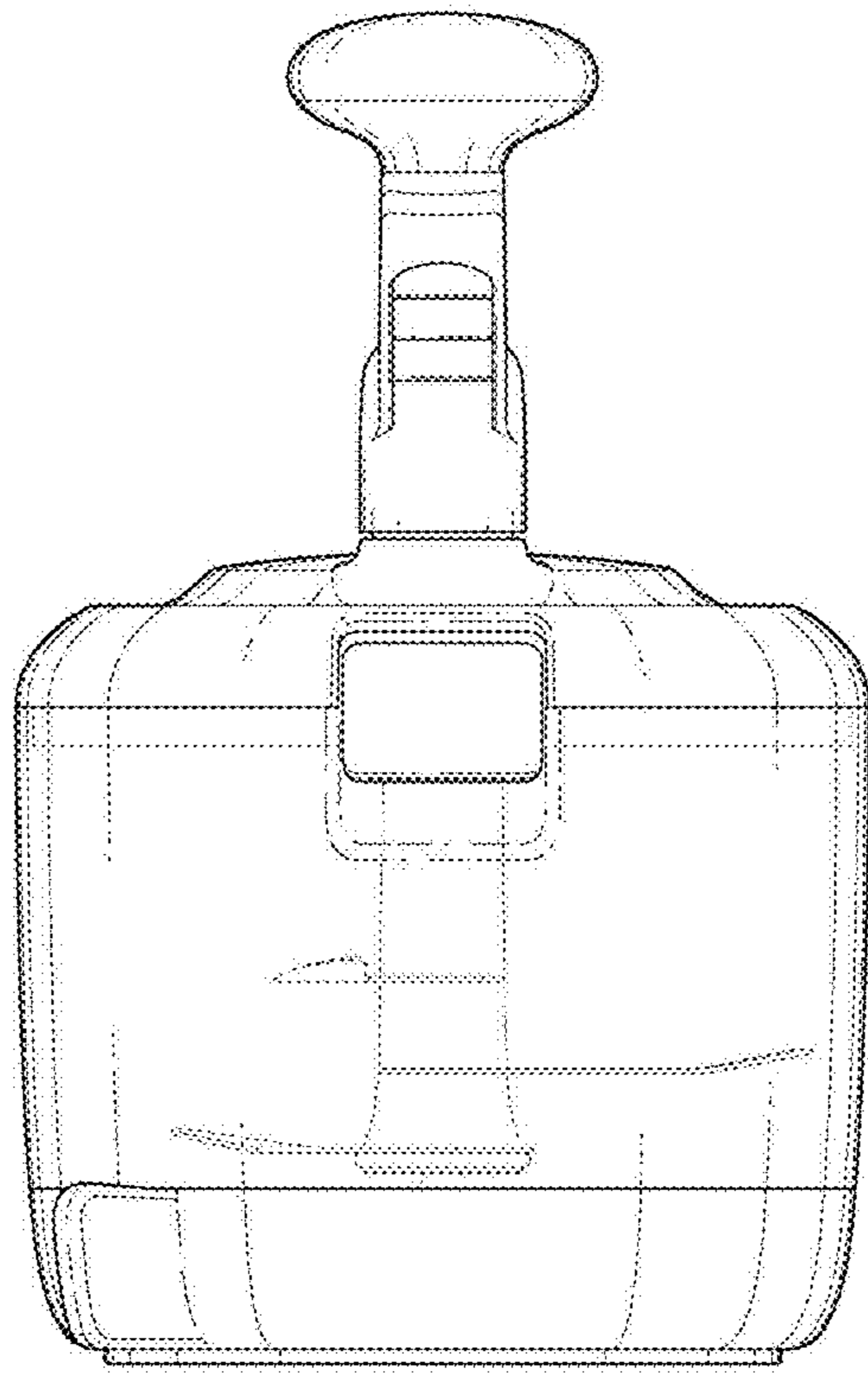


FIG. 5

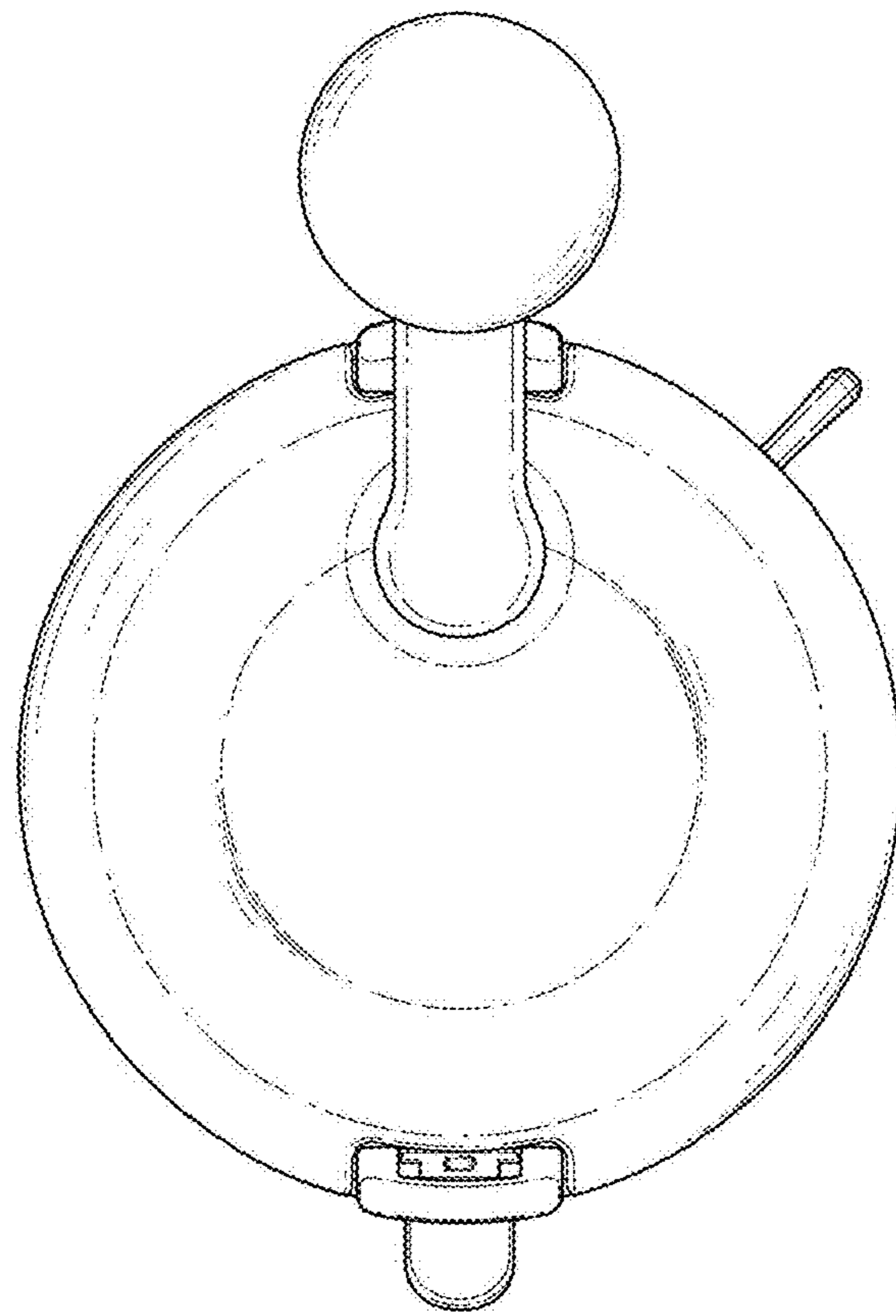


FIG. 6



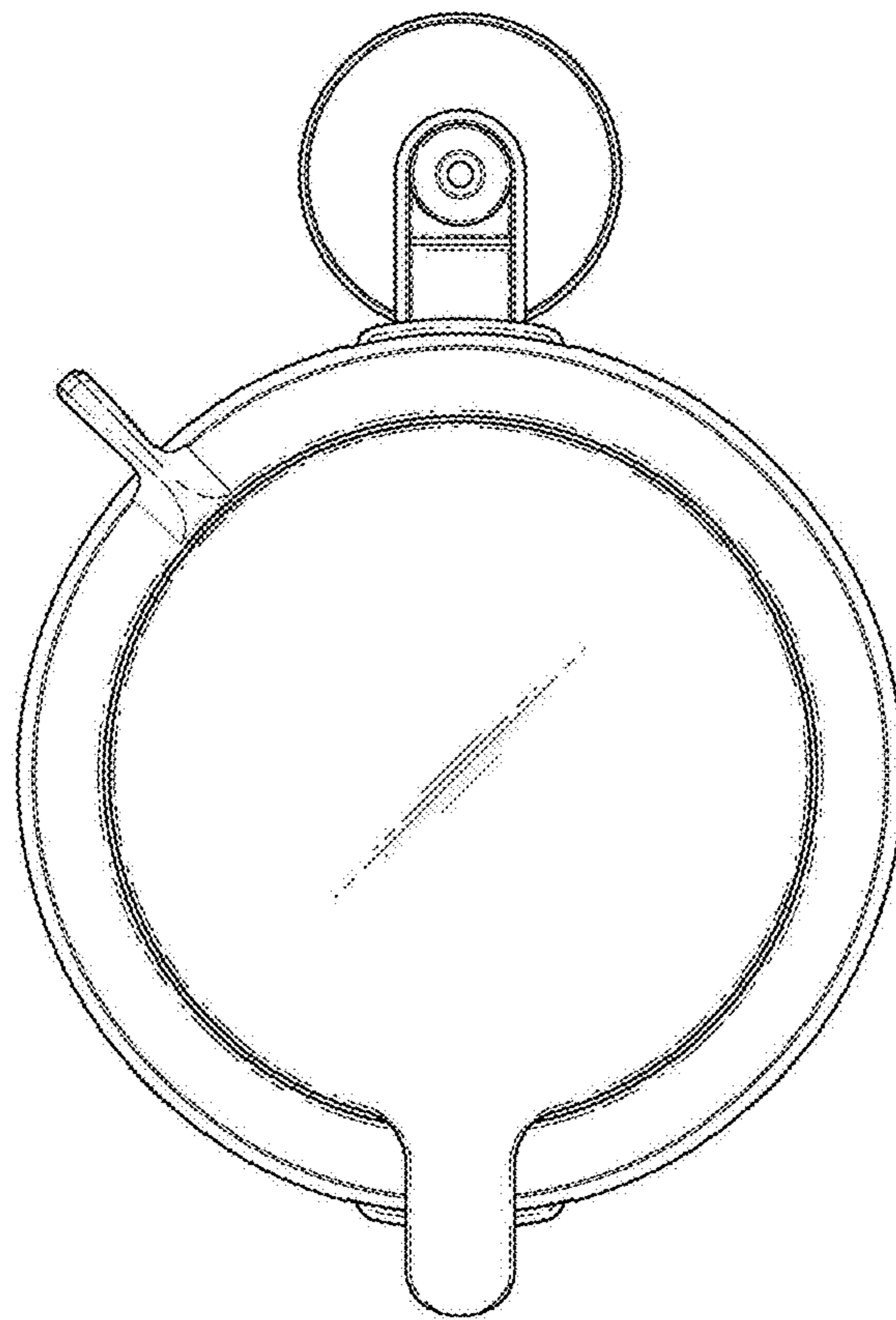


FIG. 7