



US00D838145S

(12) **United States Design Patent** (10) **Patent No.:** **US D838,145 S**  
**De La Coussaye** (45) **Date of Patent:** **\*\* Jan. 15, 2019**

(54) **VEGETABLE CUTTING DEVICE**  
(71) Applicant: **TEFAL**, Rumilly (FR)  
(72) Inventor: **Philippe De La Coussaye**,  
Annecy-le-Vieux (FR)  
(\*\*) Term: **15 Years**  
(21) Appl. No.: **35/502,320**  
(22) Filed: **Dec. 7, 2016**  
(80) **Hague Agreement Data**  
Int. Filing Date: **Dec. 7, 2016**  
Int. Reg. No.: **DM/094115**  
Int. Reg. Date: **Dec. 7, 2016**  
Int. Reg. Pub. Date: **Jan. 20, 2017**  
(30) **Foreign Application Priority Data**  
Jun. 7, 2016 (EM) ..... 003176478-0001  
Jun. 7, 2016 (EM) ..... 003176478-0002  
Jun. 7, 2016 (EM) ..... 003176478-0003  
Jun. 7, 2016 (EM) ..... 003176478-0004  
Jun. 7, 2016 (EM) ..... 003176478-0005

5,692,424 A \* 12/1997 Wallace ..... A47J 36/00  
83/167  
5,711,491 A \* 1/1998 Molo ..... A47J 43/25  
241/100  
D393,576 S \* 4/1998 Wong ..... D7/678  
D498,650 S \* 11/2004 Boilen ..... D7/678  
D505,301 S \* 5/2005 Wong ..... D7/673  
D512,609 S \* 12/2005 Kaposi ..... D7/672  
7,066,071 B2 \* 6/2006 Zeder ..... B26D 3/283  
30/278  
D535,160 S \* 1/2007 Ishii ..... D7/673  
D535,161 S \* 1/2007 So ..... D7/673  
D548,547 S \* 8/2007 Kaposi ..... D7/672  
D559,635 S \* 1/2008 Wong ..... D7/673  
D569,200 S \* 5/2008 Chalfant ..... D7/672  
D574,675 S \* 8/2008 Debuyer ..... D7/673  
D576,844 S \* 9/2008 Sawhey ..... D7/673  
D577,266 S \* 9/2008 Sawhney ..... D7/673  
D578,359 S \* 10/2008 Sawhey ..... D7/673  
D578,836 S \* 10/2008 Hood ..... D7/673  
D579,737 S \* 11/2008 Sawhey ..... D7/673  
D580,234 S \* 11/2008 Hood ..... D7/673  
D581,220 S \* 11/2008 Boerner ..... D7/673  
D581,221 S \* 11/2008 Hull ..... D7/673  
D596,467 S \* 7/2009 de Buyer ..... D7/693  
7,621,207 B2 \* 11/2009 Botsai ..... B26D 7/00  
30/278

(Continued)

Primary Examiner — Richard E Chilcot

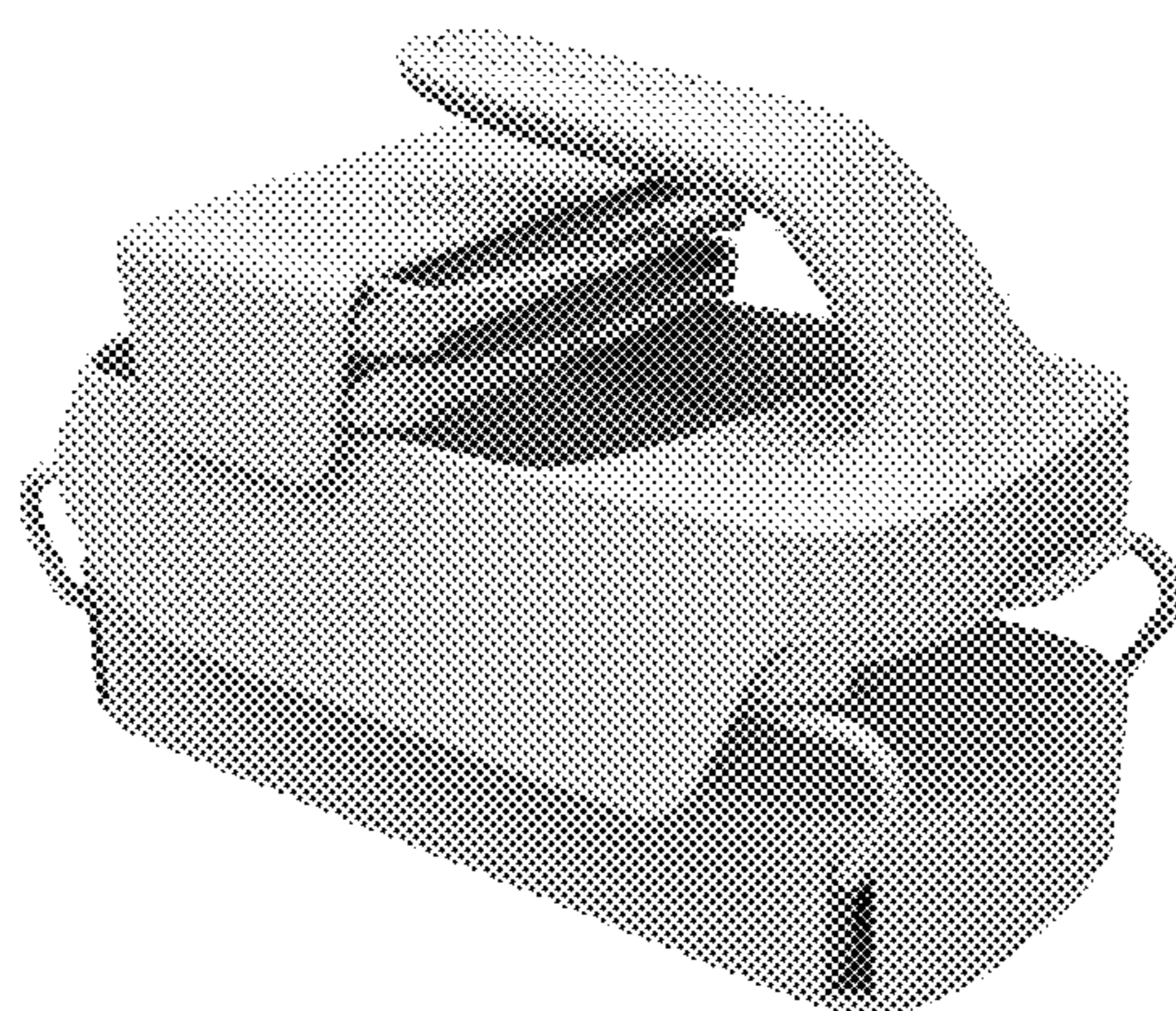
(51) **LOC (11) Cl.** ..... **07-04**  
(52) **U.S. Cl.**  
USPC ..... **D7/673**  
CPC ..... **A47J 43/00** (2013.01)  
(58) **Field of Classification Search**  
USPC ..... D7/672-677, 354, 693-696, 678  
CPC ..... A47J 43/00; A47J 43/25; B26D 2210/02;  
B26D 1/143; B26D 3/283; B26D 3/26;  
B26D 3/185; B26D 2003/288; B26D  
2003/286  
See application file for complete search history.

(57) **CLAIM**  
The ornamental design for a vegetable cutting device, as shown and described.

**DESCRIPTION**  
1.1 is an upper front perspective view of a vegetable cutting device, showing my new design;  
1.2 is a top view thereof;  
1.3 is a bottom view thereof;  
1.4 is a front elevation view thereof;  
1.5 is a rear elevation view thereof;  
1.6 is a left side elevation view thereof; and  
1.7 is a right side elevation view thereof.

(56) **References Cited**  
U.S. PATENT DOCUMENTS  
D326,388 S \* 5/1992 Boerner ..... D7/673  
D354,886 S \* 1/1995 Diefenbach ..... D7/678

**1 Claim, 7 Drawing Sheets**



(56)

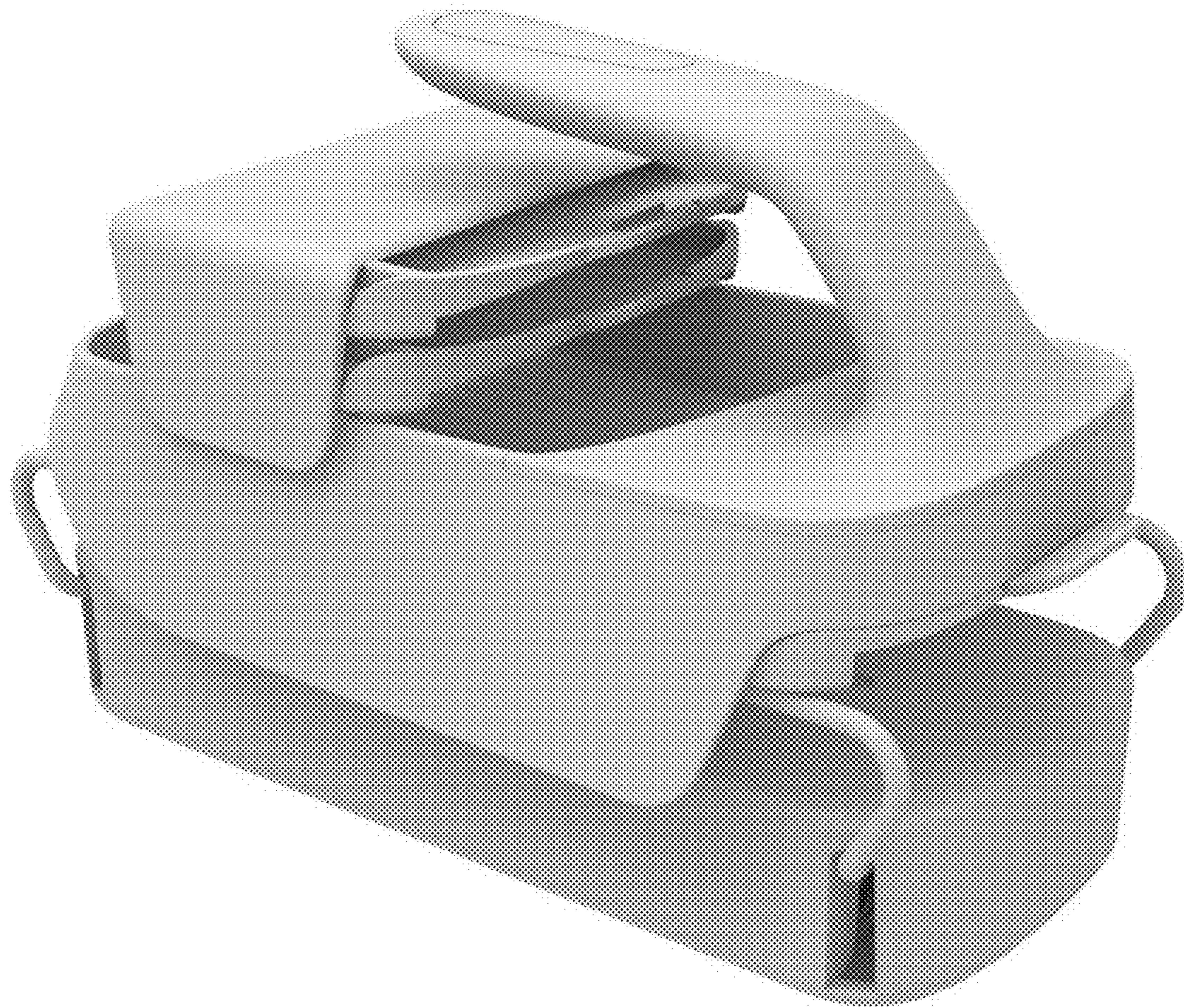
References Cited

U.S. PATENT DOCUMENTS

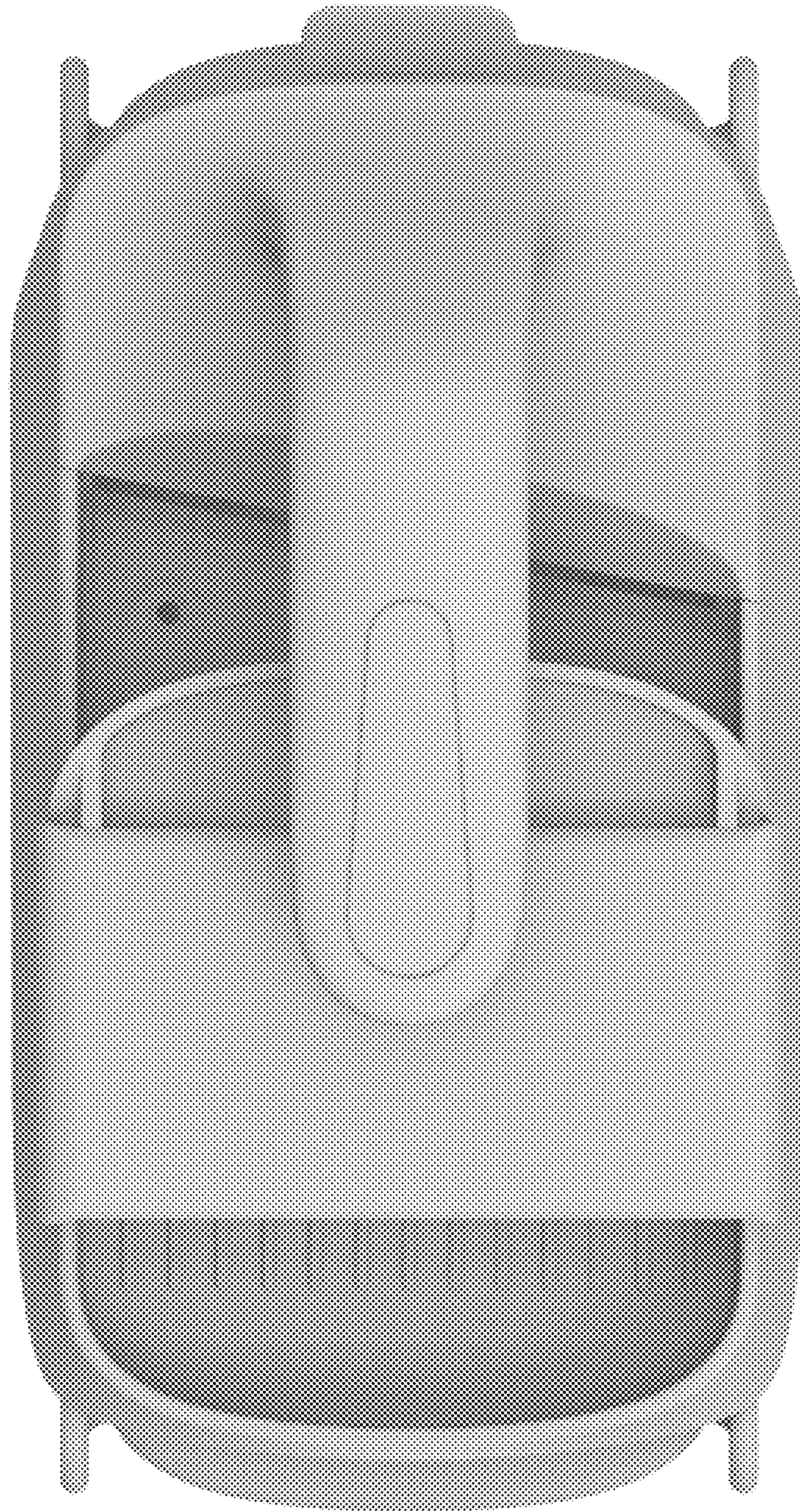
D608,162 S *	1/2010	Mah	.....	D7/673	D774,851 S *	12/2016	Yamamoto	.....	D7/673
D610,414 S *	2/2010	Boerner	.....	D7/673	D775,499 S *	1/2017	Yamamoto	.....	D7/673
7,694,615 B2 *	4/2010	DiPietro	.....	B26D 3/283 30/278	D793,178 S *	8/2017	de Buyer	.....	D7/673
D618,517 S *	6/2010	Wong	.....	D7/672	D793,179 S *	8/2017	Exley	.....	D7/673
D618,518 S *	6/2010	De Buyer	.....	D7/673	D826,655 S *	8/2018	Chen	.....	D7/673
D625,567 S *	10/2010	Wong	.....	D7/673	2004/0217219 A1 *	11/2004	Bitonto	.....	A47J 43/255 241/95
D625,568 S *	10/2010	Wong	.....	D7/673	2006/0090352 A1 *	5/2006	Kaposi	.....	B26B 5/008 30/299
D635,410 S *	4/2011	Repac	.....	D7/384	2006/0123639 A1 *	6/2006	Boerner	.....	B26D 3/283 30/404
D642,875 S *	8/2011	Mah	.....	D7/673	2007/0062349 A1 *	3/2007	Ishii	.....	B26D 3/283 83/13
7,992,476 B2 *	8/2011	Kaposi	.....	B26B 5/008 30/124	2007/0089577 A1 *	4/2007	Wong	.....	B26D 3/283 83/13
D650,642 S *	12/2011	Fung	.....	D7/673	2008/0257128 A1 *	10/2008	Reimann	.....	B26D 3/283 83/699.61
D651,483 S *	1/2012	Bagley	.....	D7/673	2009/0078100 A1 *	3/2009	Repac	.....	B26D 1/553 83/425.3
D666,881 S *	9/2012	Iyer	.....	D7/672	2009/0255391 A1 *	10/2009	Hood	.....	B26D 3/283 83/648
D670,980 S *	11/2012	De Buyer	.....	D7/673	2010/0031830 A1 *	2/2010	Engdahl	.....	B26D 1/553 99/538
D682,049 S *	5/2013	Jossem	.....	D7/673	2010/0037471 A1 *	2/2010	Repac	.....	B26D 3/283 30/279.6
D683,598 S *	6/2013	De Buyer	.....	D7/672	2010/0116153 A1 *	5/2010	Chen	.....	A47J 43/04 99/538
D690,564 S *	10/2013	Tetreault	.....	D7/673	2010/0122465 A1 *	5/2010	Holmes	.....	A47J 43/25 30/275.4
D698,212 S *	1/2014	De Buyer	.....	D7/672					
D708,917 S *	7/2014	Wong	.....	D7/672					
D729,594 S *	5/2015	Stewart	.....	D7/673					
D730,704 S *	6/2015	Repac	.....	D7/672					
D744,294 S *	12/2015	Linder	.....	D7/629					
D744,295 S *	12/2015	Linder	.....	D7/629					
D744,793 S *	12/2015	Lipscomb	.....	D7/673					
D770,868 S *	11/2016	Repac	.....	D7/672					
D774,850 S *	12/2016	Yamamoto	.....	D7/673					

\* cited by examiner

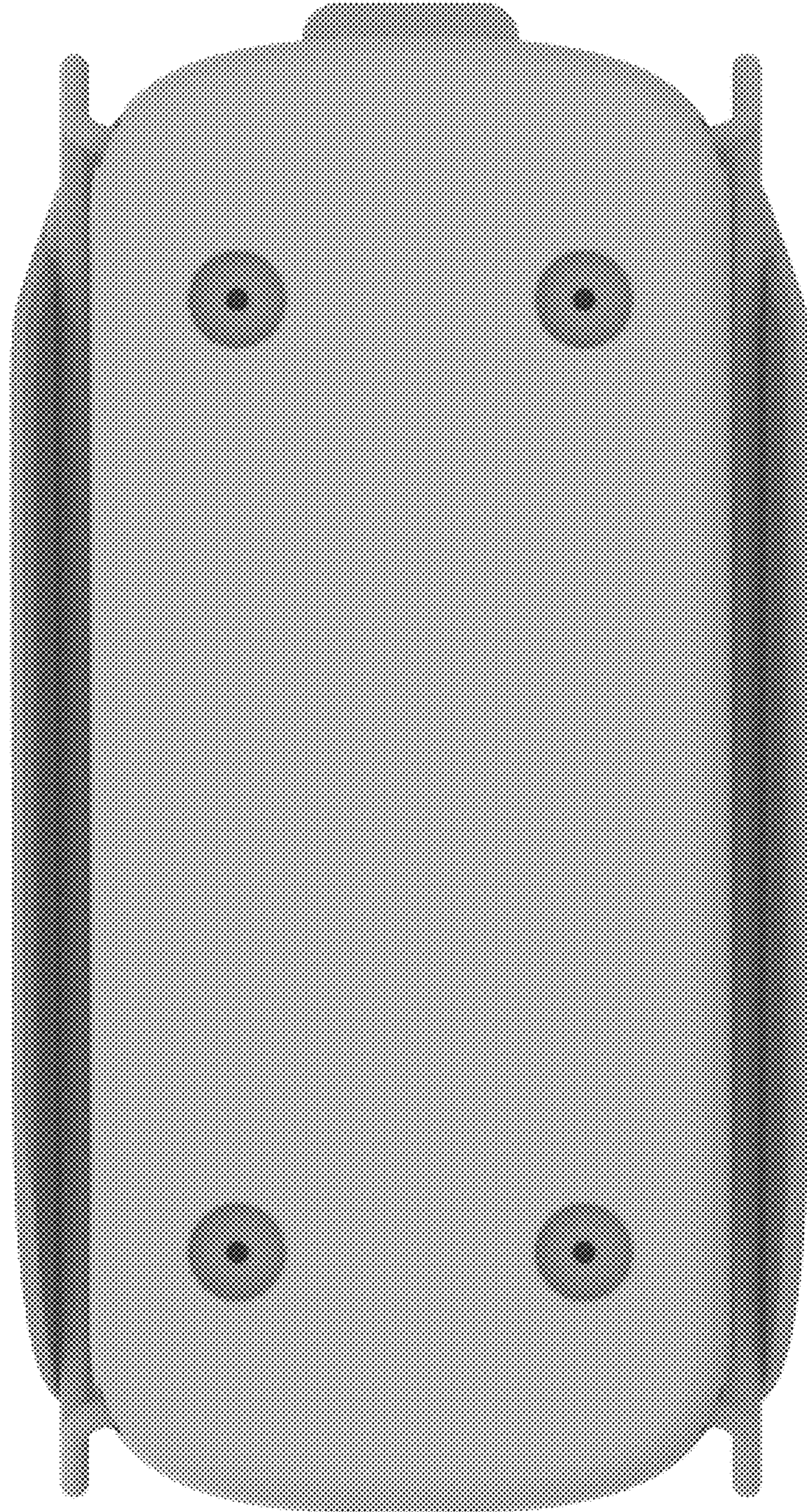
1.1



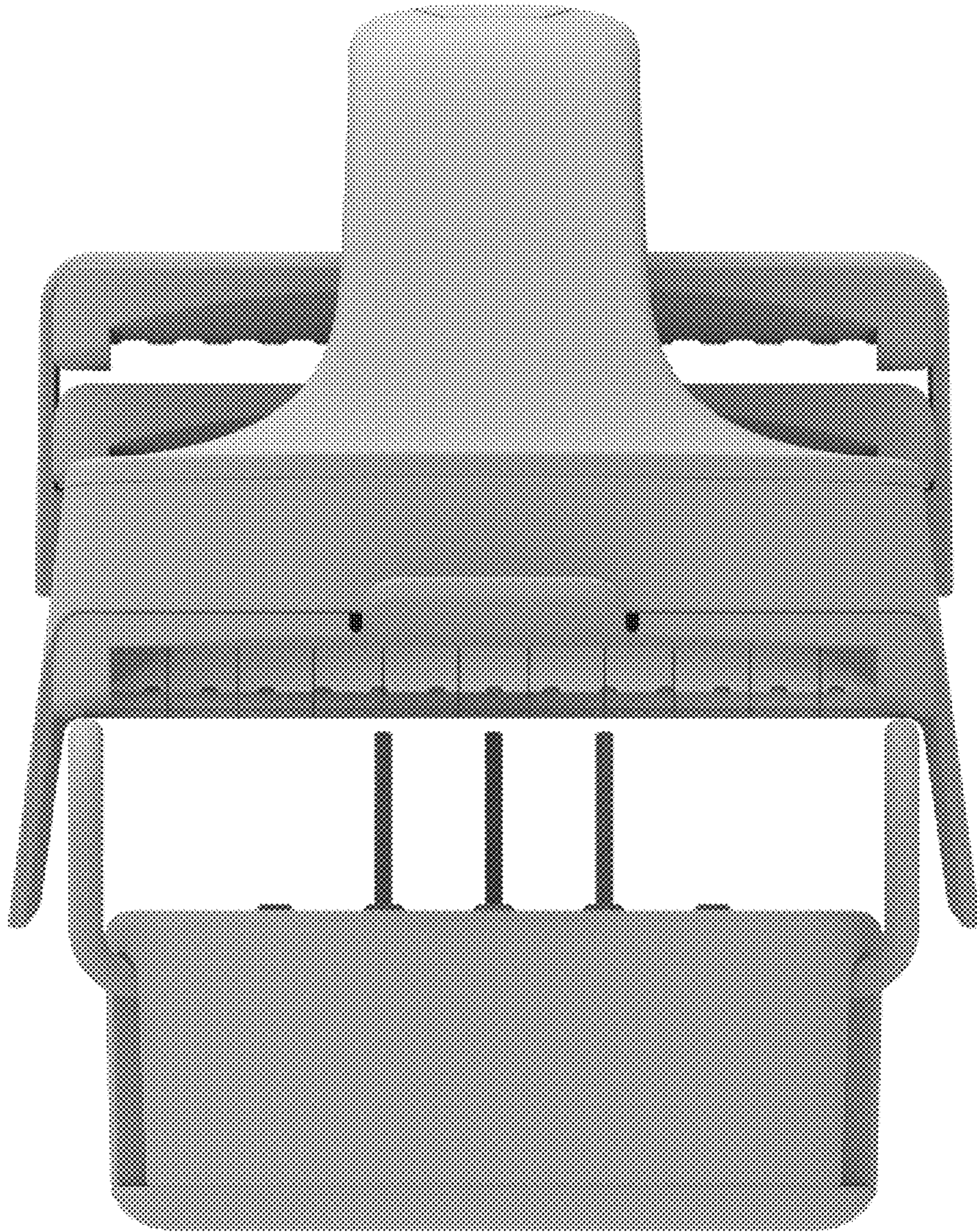
1.2



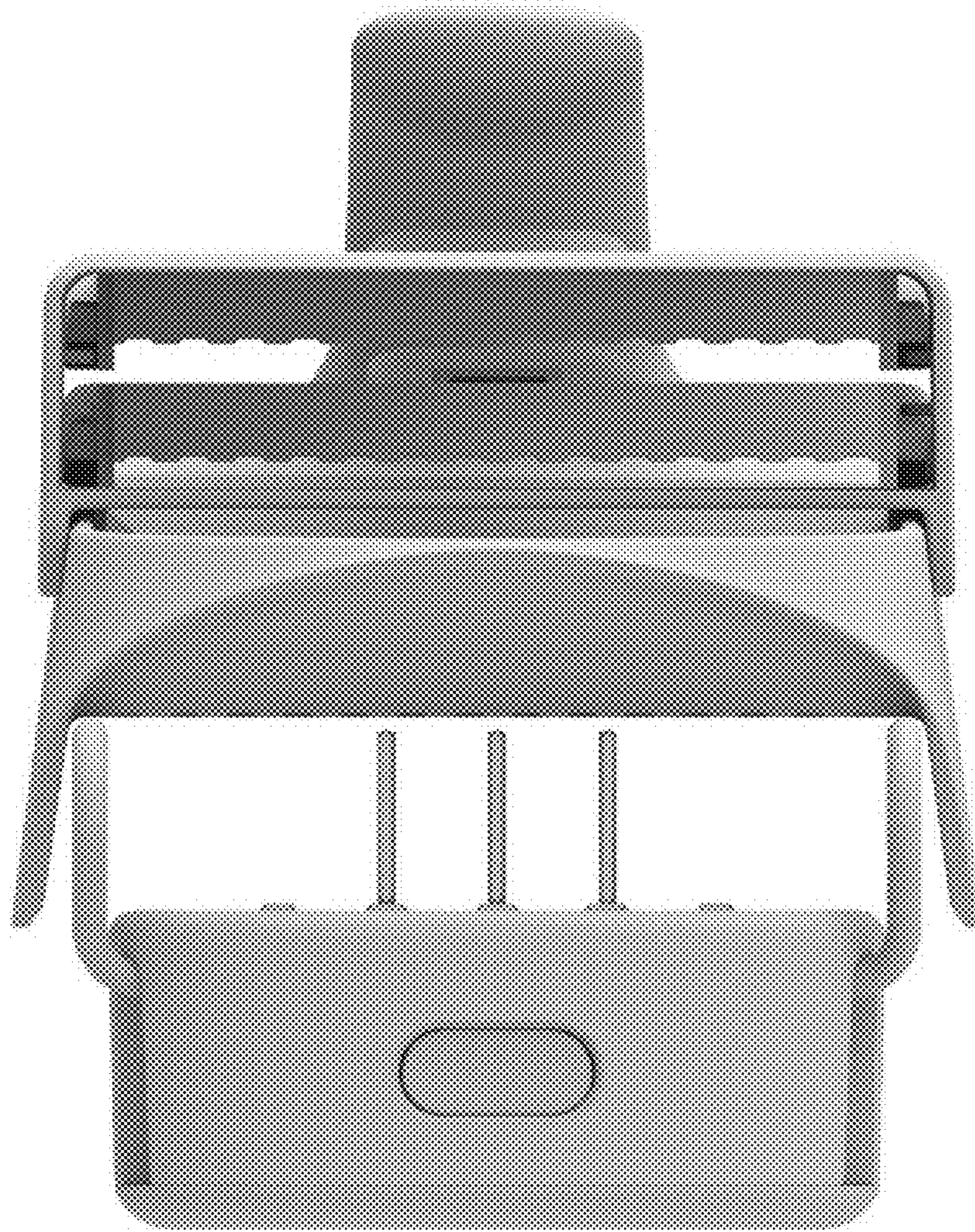
1.3



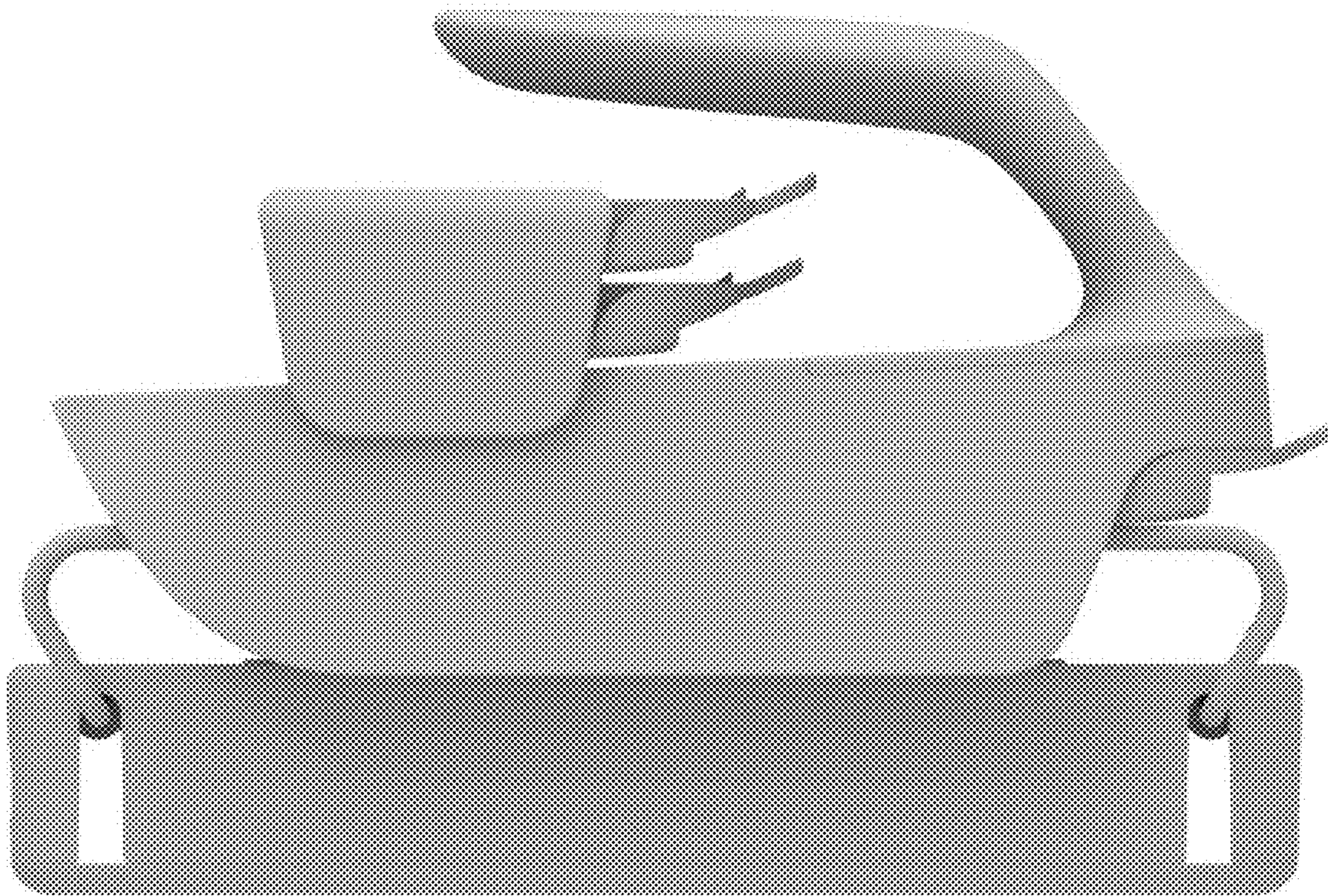
1.4



15



1.6





1.7

