

US00D838144S

(12) **United States Design Patent**  
**Abrahamyan**

(10) **Patent No.:** **US D838,144 S**

(45) **Date of Patent:** **\*\* Jan. 15, 2019**

(54) **HERB PACKING DEVICE**

(71) Applicant: **Davit Abrahamyan**, Pasadena, CA  
(US)

(72) Inventor: **Davit Abrahamyan**, Pasadena, CA  
(US)

(\*\*) Term: **15 Years**

(21) Appl. No.: **29/589,422**

(22) Filed: **Dec. 30, 2016**

(51) **LOC (11) Cl.** ..... **07-04**

(52) **U.S. Cl.**  
USPC ..... **D7/630; D7/679**

(58) **Field of Classification Search**  
USPC ..... D7/679, 590–597, 372–374, 381, 630  
CPC .. A47J 43/14; A47J 42/42; A47J 42/18; A47J  
42/16; A47J 42/34; A47J 42/00; A47J  
42/04; A47J 42/24; A47J 43/06; A47J  
43/40; A47J 43/25; A47J 43/04; A47J  
43/255; A24B 7/00; A24C 5/06; B65D  
47/0814

See application file for complete search history.

(56) **References Cited**

**U.S. PATENT DOCUMENTS**

D444,040 S \* 6/2001 Yip ..... D7/679  
D446,692 S \* 8/2001 Bodum ..... D7/679

D455,324 S \* 4/2002 Wright ..... D7/679  
D608,163 S \* 1/2010 Park ..... D7/597  
7,806,354 B2 \* 10/2010 de Groote ..... A47J 42/40  
241/169.1  
2006/0076369 A1 \* 4/2006 McGuyer ..... A47G 19/34  
222/434

\* cited by examiner

*Primary Examiner* — Terry A Wallace

(74) *Attorney, Agent, or Firm* — Knobbe Martens Olson  
& Bear LLP

(57) **CLAIM**

The ornamental design for the herb packing device, as shown and described.

**DESCRIPTION**

FIG. 1 is a front perspective view of a herb packing device showing my new design.

FIG. 2 is a front view thereof.

FIG. 3 is a rear view thereof.

FIG. 4 is a right side view thereof.

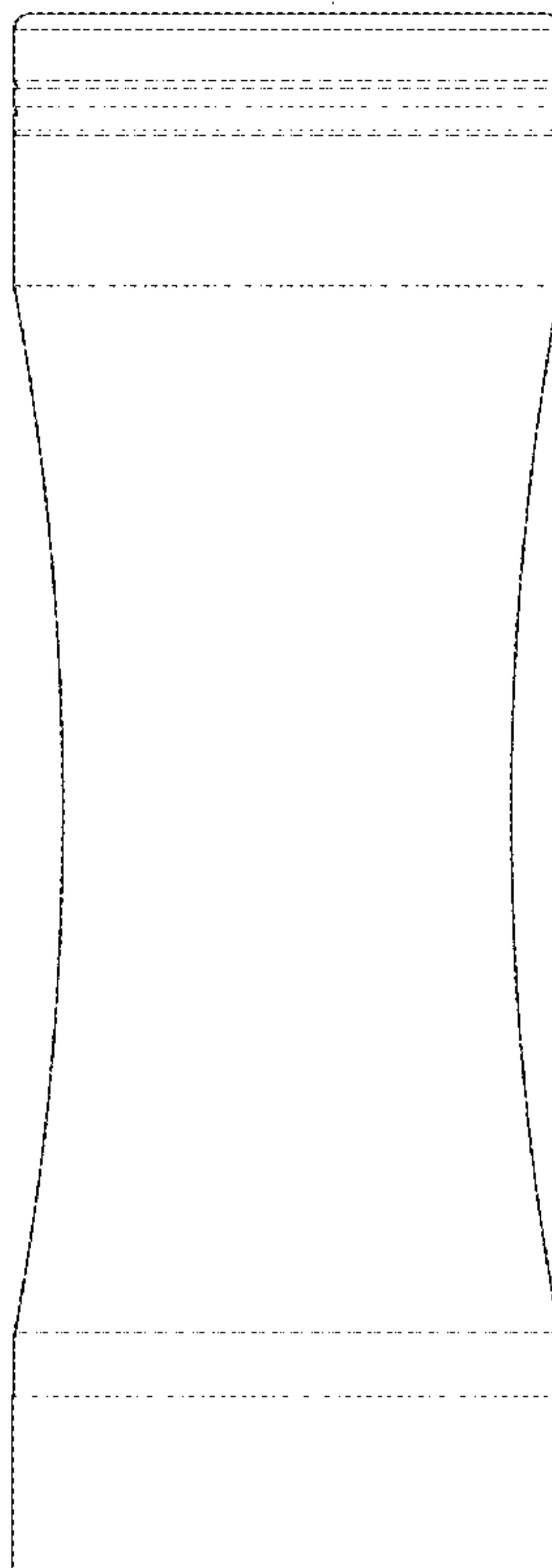
FIG. 5 is a left side view thereof.

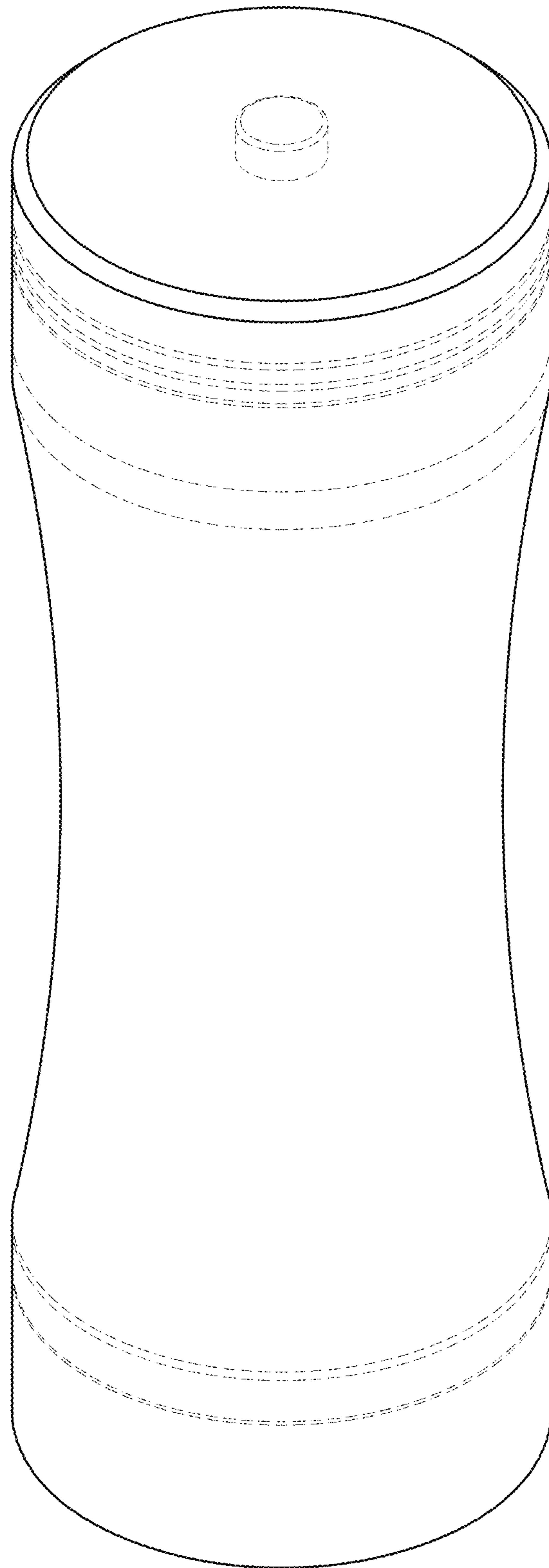
FIG. 6 is a top plan view thereof; and,

FIG. 7 is a bottom plan view thereof.

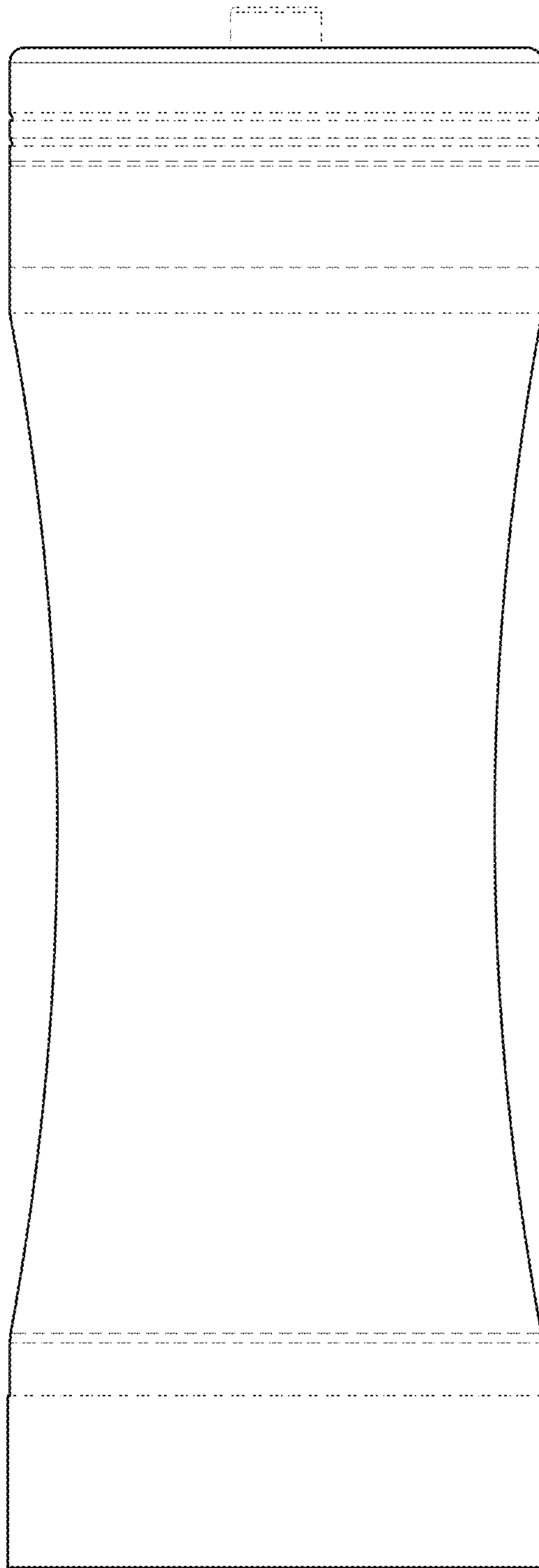
The broken lines are for illustrative purposes only and form no part of the claimed design.

**1 Claim, 6 Drawing Sheets**





*FIG. 1*



*FIG. 2*

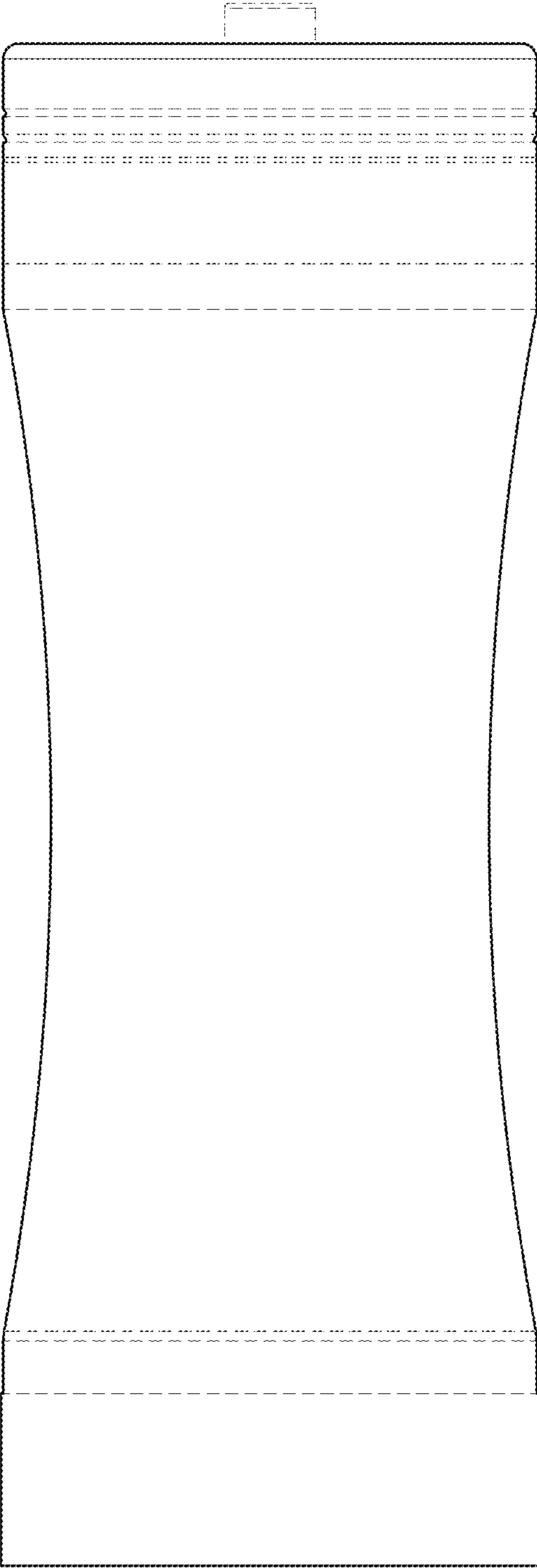


FIG. 3

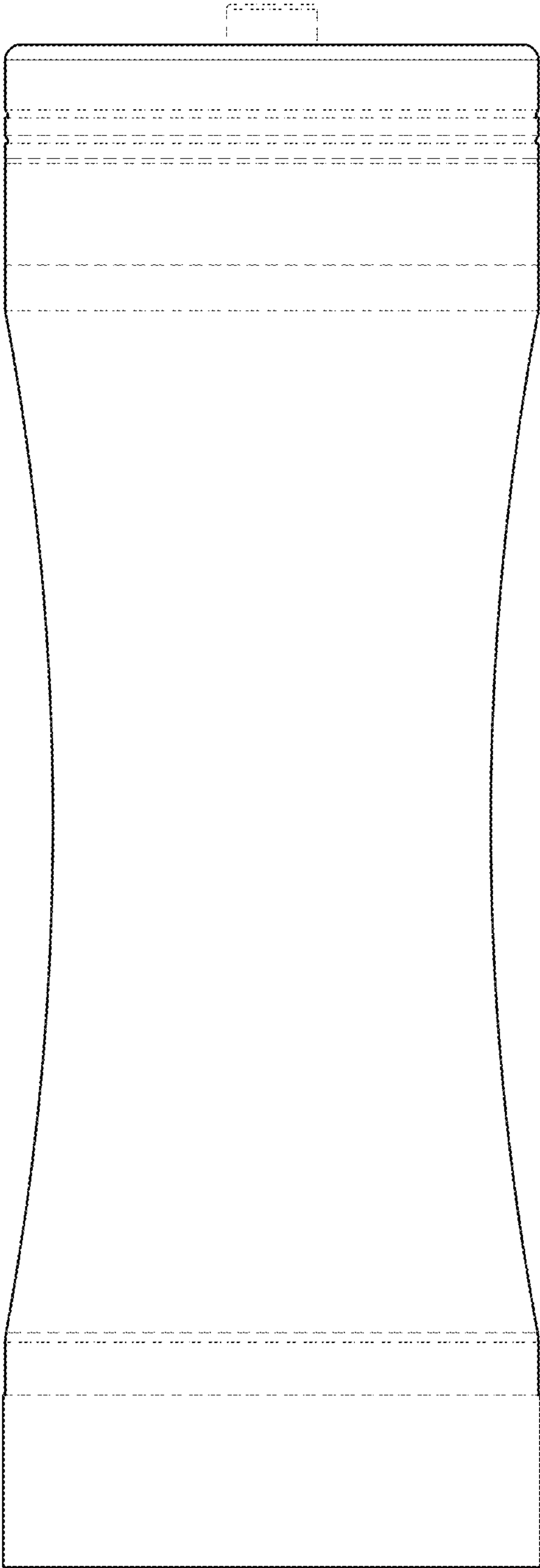
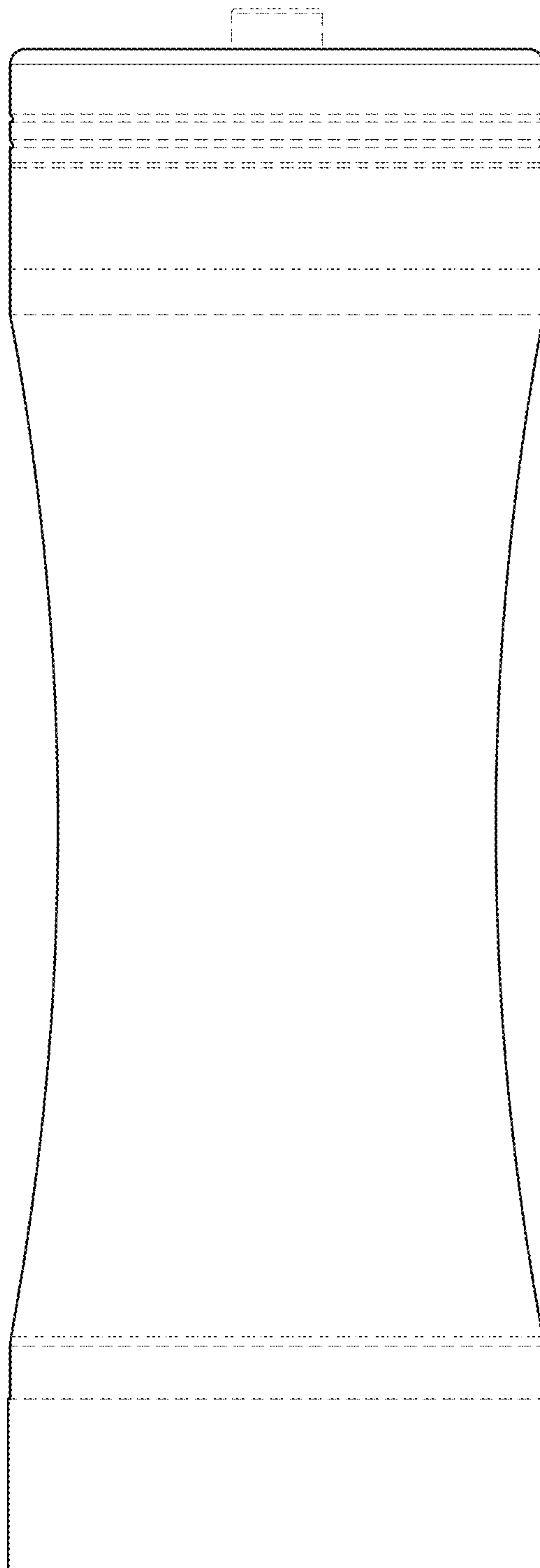
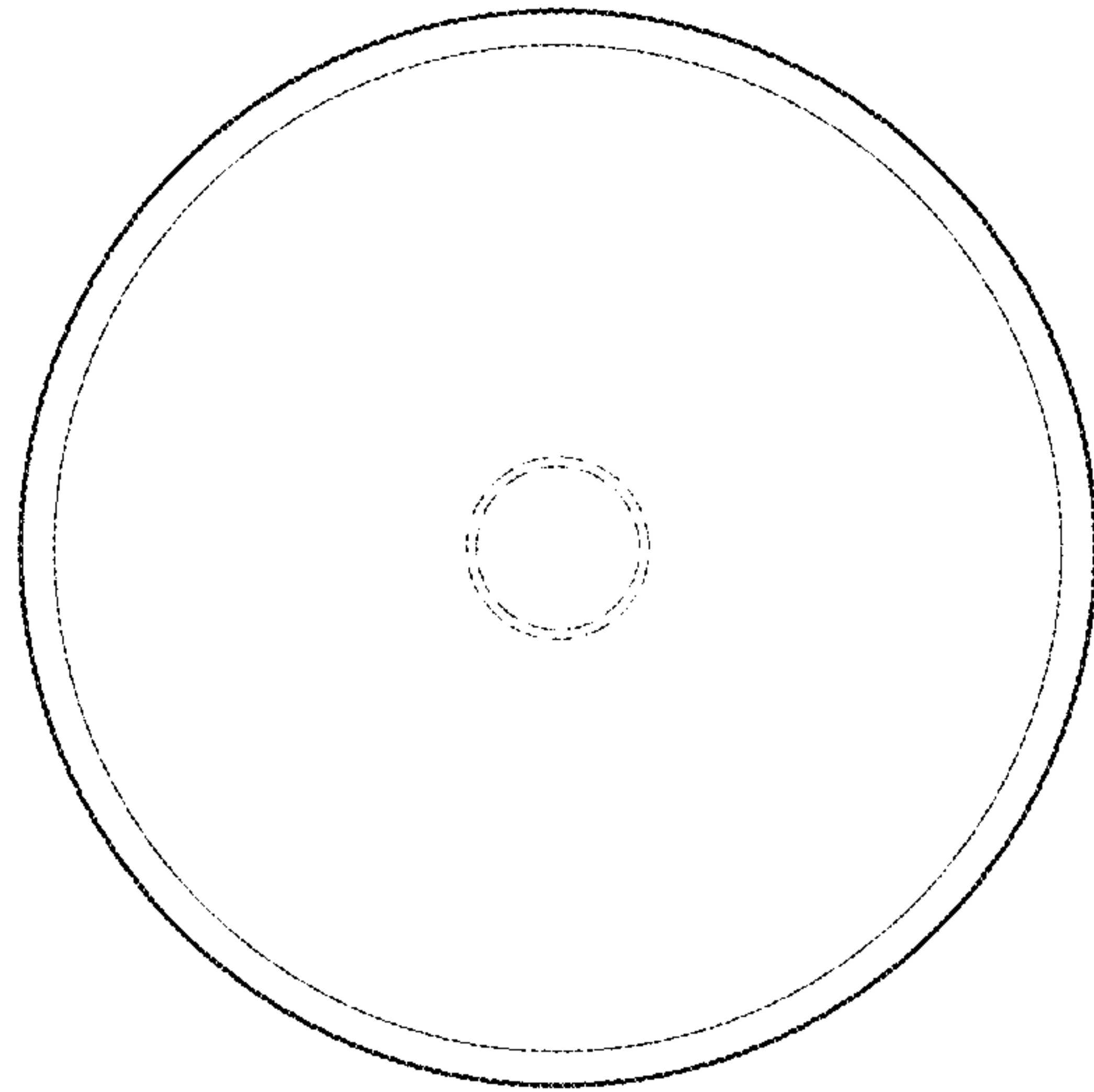


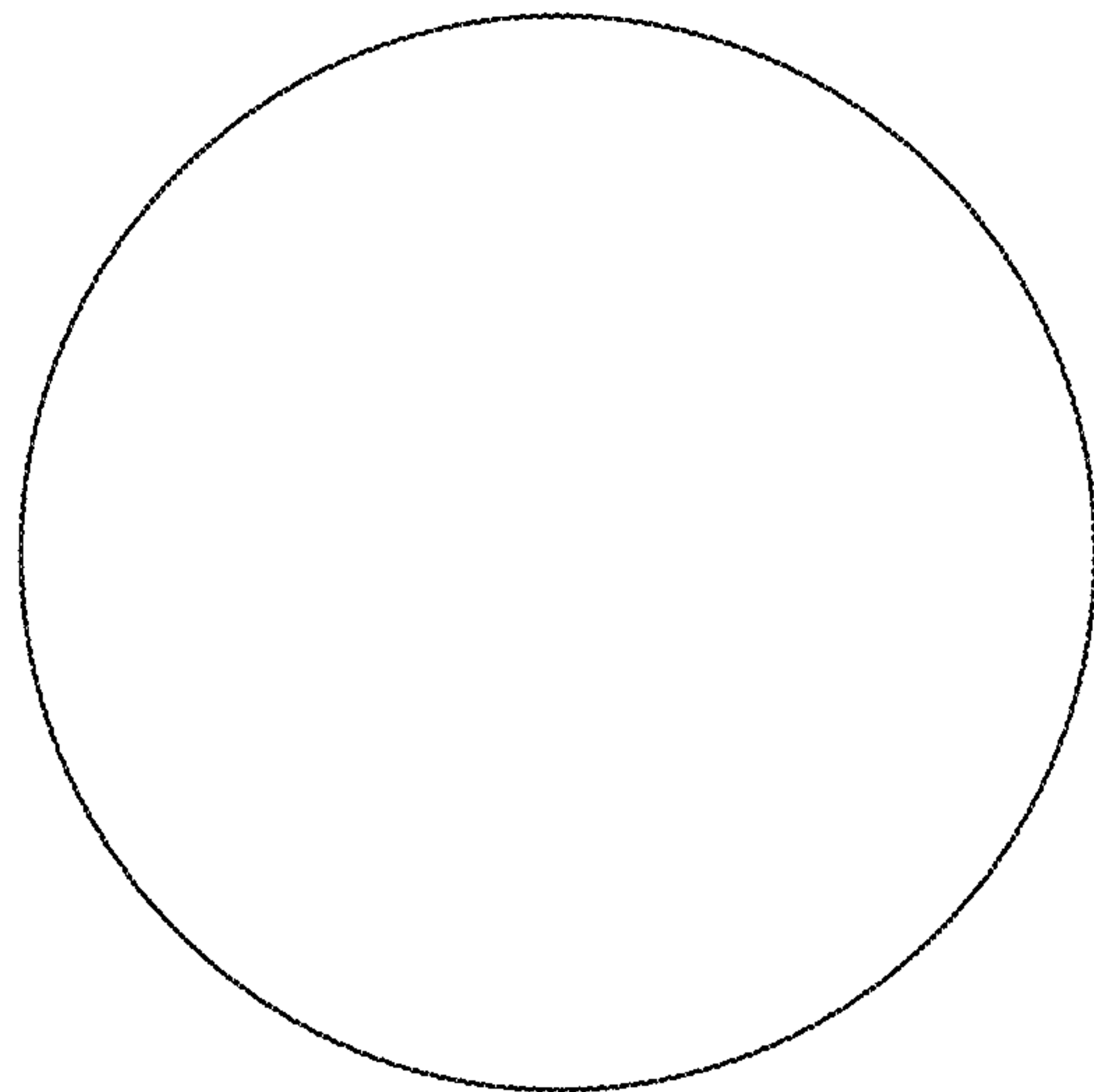
FIG. 4



*FIG. 5*



*FIG. 6*



*FIG. 7*