



US00D838143S

(12) **United States Design Patent**
Johnson

(10) **Patent No.:** **US D838,143 S**
(45) **Date of Patent:** **** Jan. 15, 2019**

(54) **BEVERAGE CONTAINER HOLDER**

2008/0017654 A1* 1/2008 Chu B65D 81/3886
220/739

(71) Applicant: **Imagen Brands, LLC**, Mason, OH
(US)

* cited by examiner

(72) Inventor: **Matthew Johnson**, Mobile, AL (US)

Primary Examiner — Terry A Wallace

(73) Assignee: **IMAGEN BRANDS, LLC**, Mason, OH
(US)

(74) *Attorney, Agent, or Firm* — Stephen H. Hall; Bradley Arant Boult Cummings LLP

(**) Term: **15 Years**

(57) **CLAIM**

The ornamental design for a beverage container holder, as shown and described.

DESCRIPTION

(21) Appl. No.: **29/615,945**

FIG. 1 is a perspective view of the two part beverage container holder in a nested configuration;

(22) Filed: **Aug. 31, 2017**

FIG. 2 is a perspective view of the two part beverage container holder in a deployed configuration;

(51) **LOC (11) Cl.** **07-06**

FIG. 3 is a side elevation view of the nested configuration;

(52) **U.S. Cl.**

FIG. 4 is a side elevation view of the deployed configuration;

USPC **D7/624.2**

(58) **Field of Classification Search**

FIG. 5 is an exploded view of the nested configuration;

USPC D7/619.1–625, 509, 523

FIG. 6 is an exploded view of the deployed configuration;

CPC A47J 41/02; A47J 41/0077; A47J 41/0061;

FIG. 7 is a exploded perspective view of the nested configuration;

B65D 23/08; B65D 23/104; B65D

FIG. 8 is an exploded perspective view of the deployed configuration;

81/3886; B65D 81/3876; B65D 81/3879;

FIG. 9 is a top plan view of the nested configuration;

B65D 81/3865; B65D 81/3881; B65D

FIG. 10 is a top plan view of the deployed configuration;

81/3883; B65D 81/3874; F25D 3/08;

FIG. 11 is an exploded top perspective view of the nested configuration;

F25D 2331/805; F25D 2331/803; A45C

FIG. 12 is an exploded top perspective view of the deployed configuration

11/20; A47G 23/0216; A47G 23/0208;

FIG. 13 is an exploded bottom perspective view of the nested configuration; and,

A47G 23/0291; A47G 23/02; A47G

FIG. 14 is an exploded bottom perspective view of the deployed configuration.

23/0266

See application file for complete search history.

Shading shown in the figures is for illustrative purposes to show surface contours in the drawings only and forms no part of the invention.

(56) **References Cited**

U.S. PATENT DOCUMENTS

D282,234 S * 1/1986 Henderson D7/608

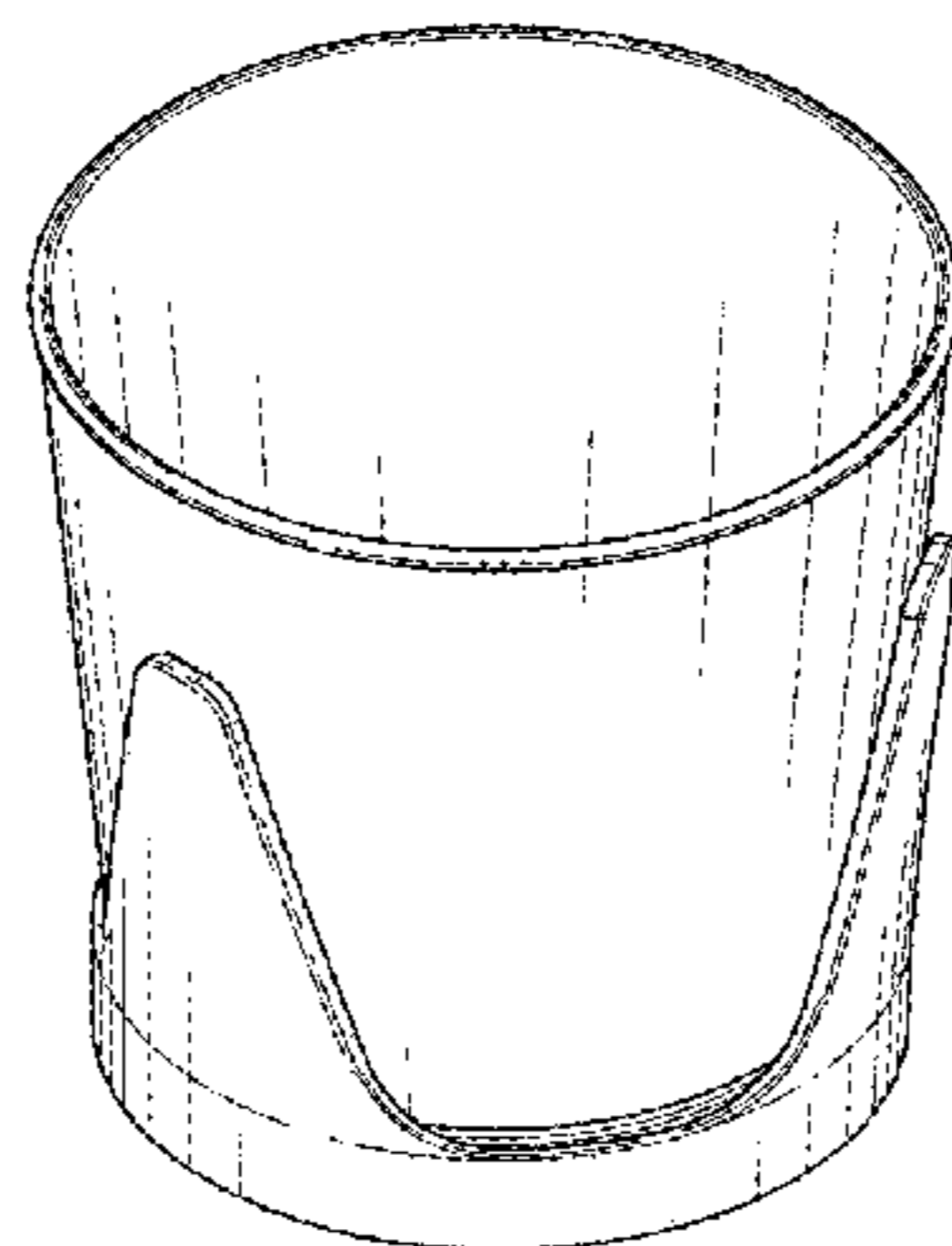
5,909,821 A * 6/1999 Guridi B65D 81/3886

220/592

8,672,176 B2 * 3/2014 Sayasithsena A47G 23/0216

220/4.01

1 Claim, 12 Drawing Sheets



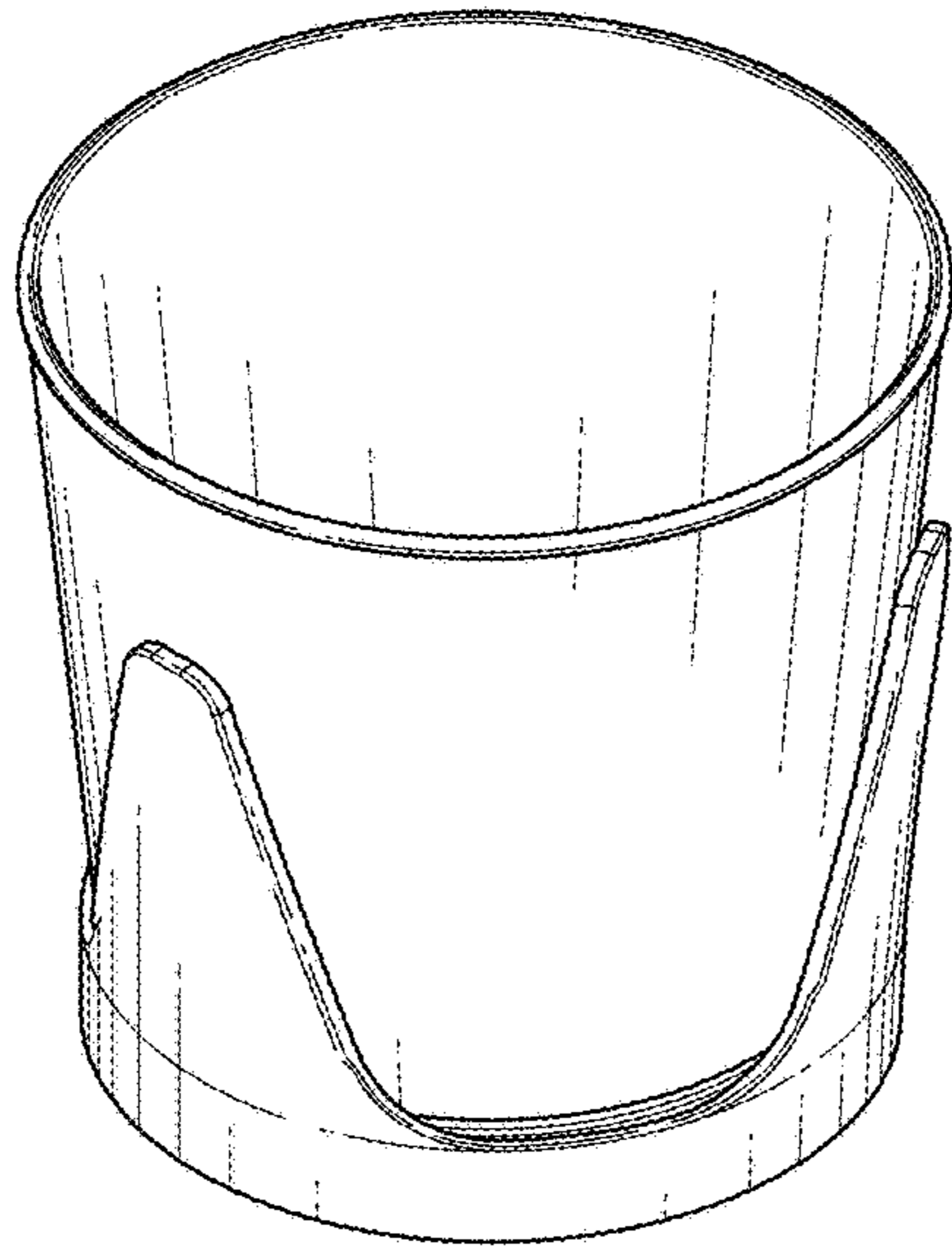


FIG. 1

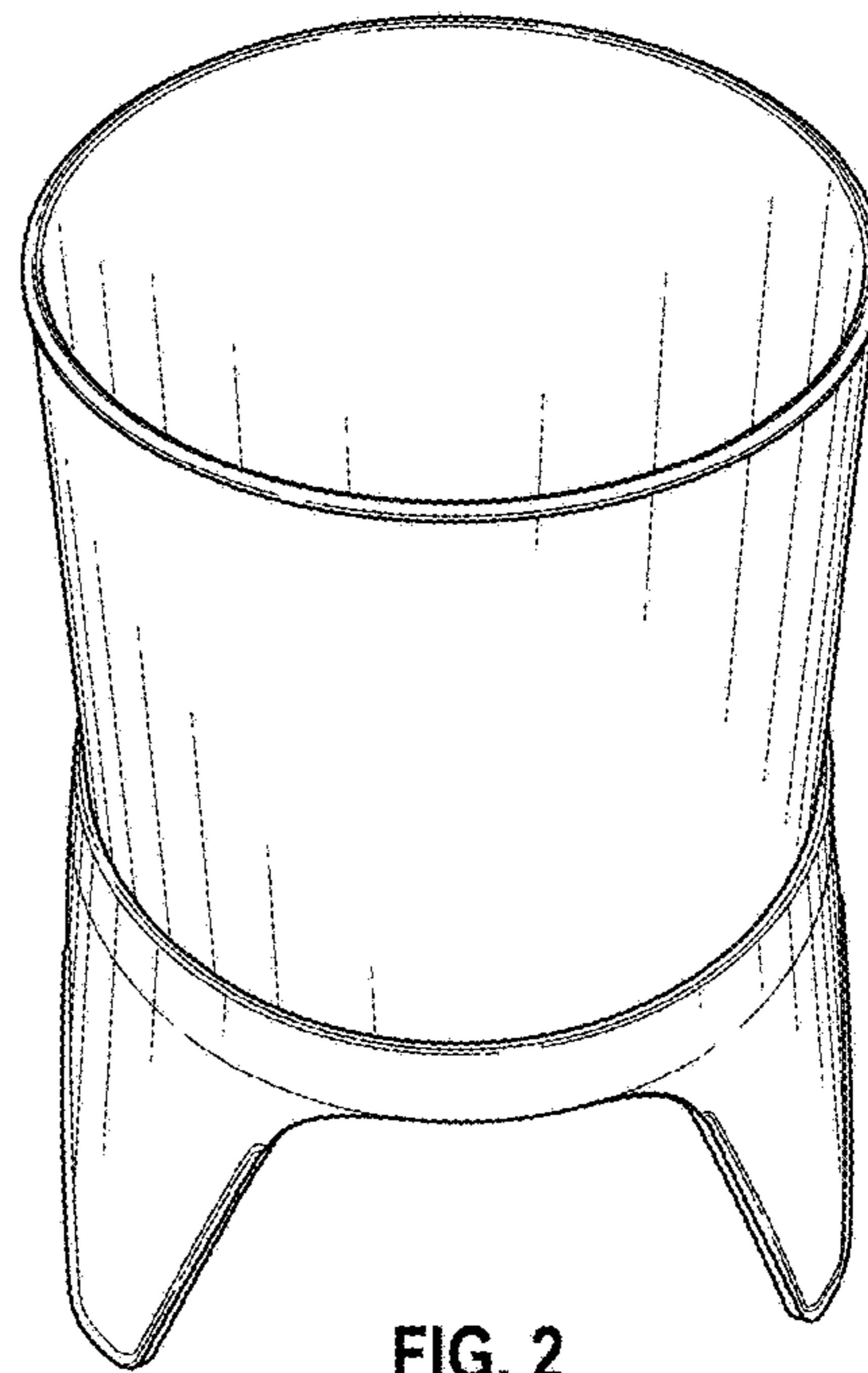


FIG. 2

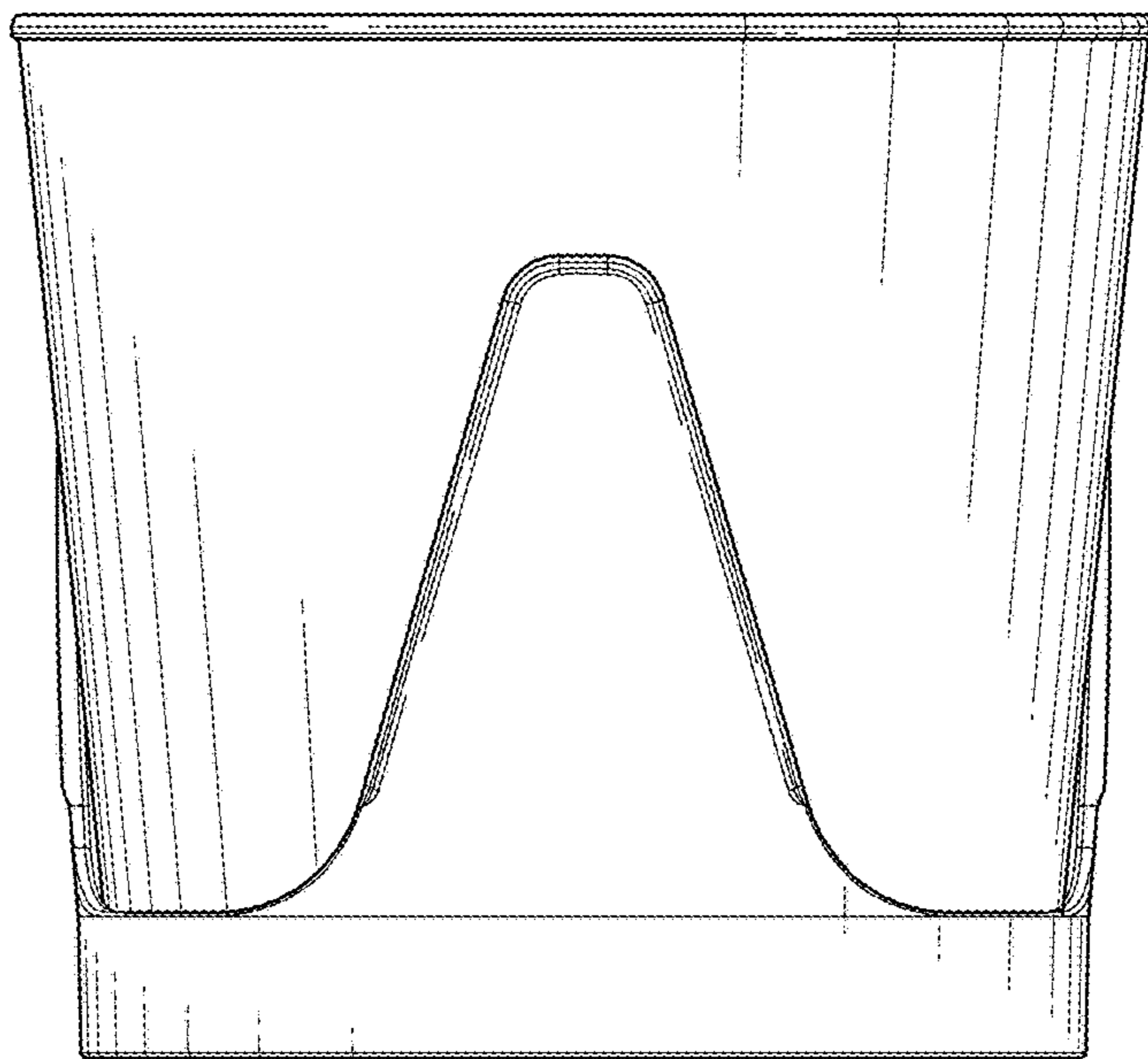


FIG. 3

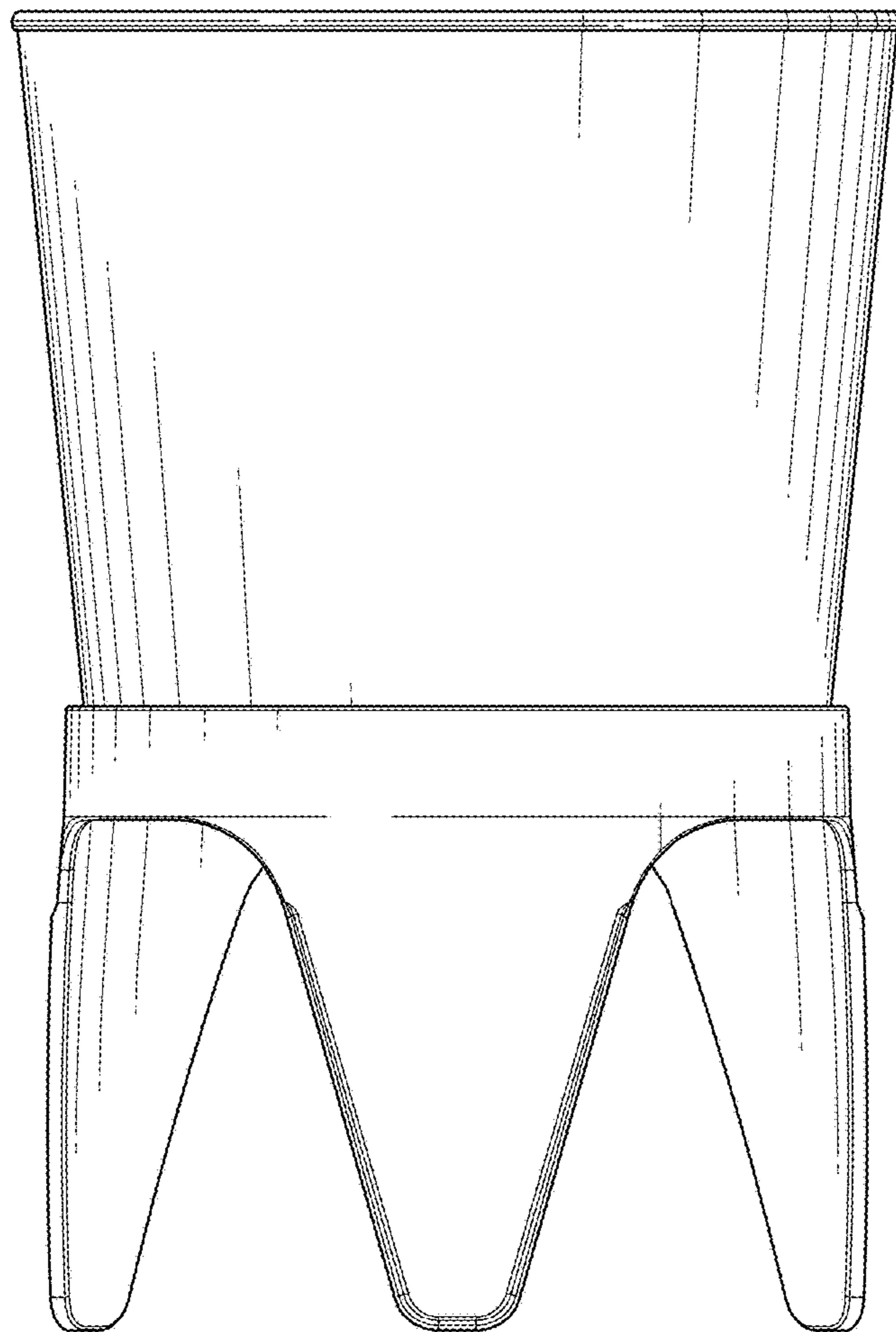


FIG. 4

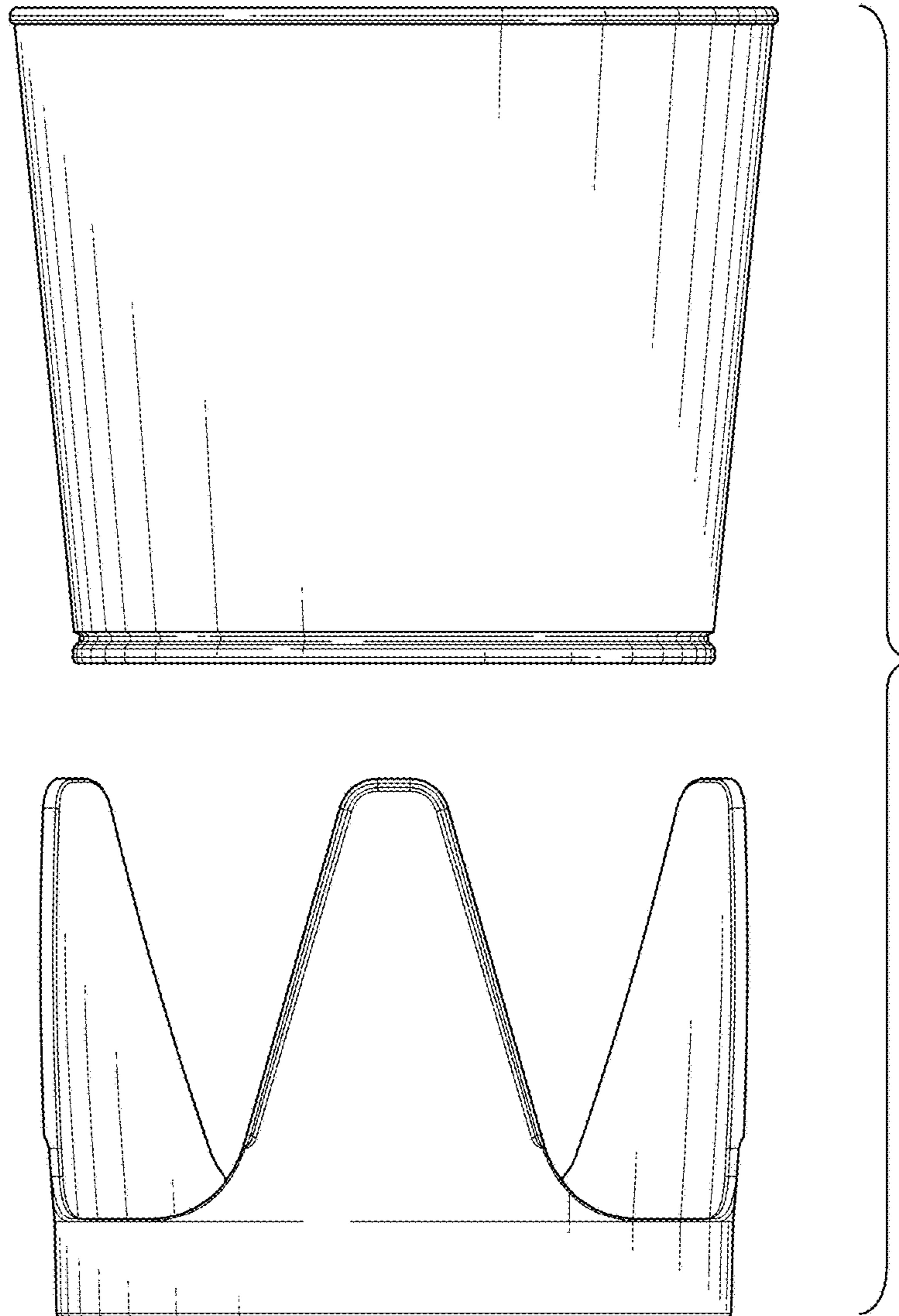


FIG. 5

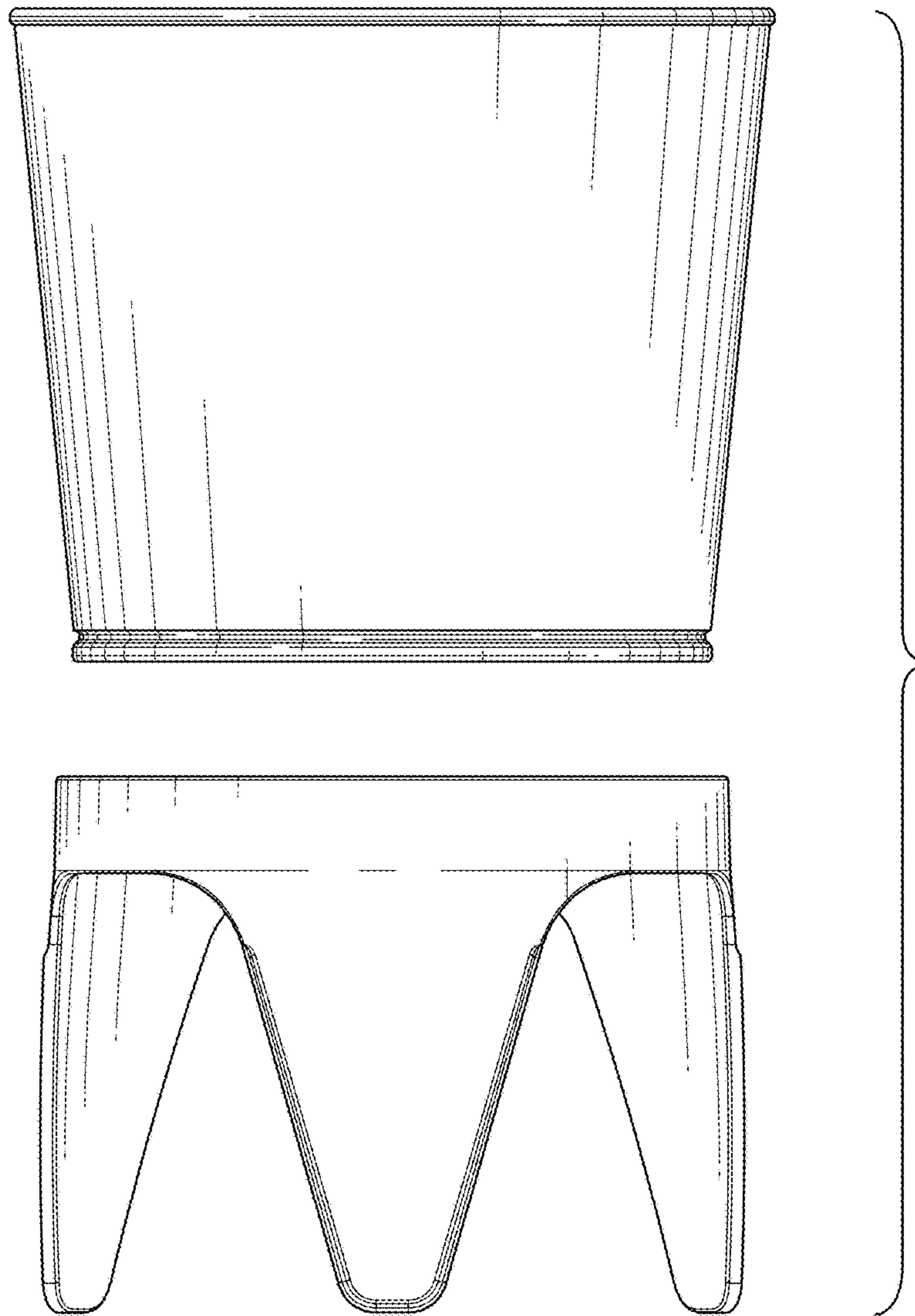


FIG. 6

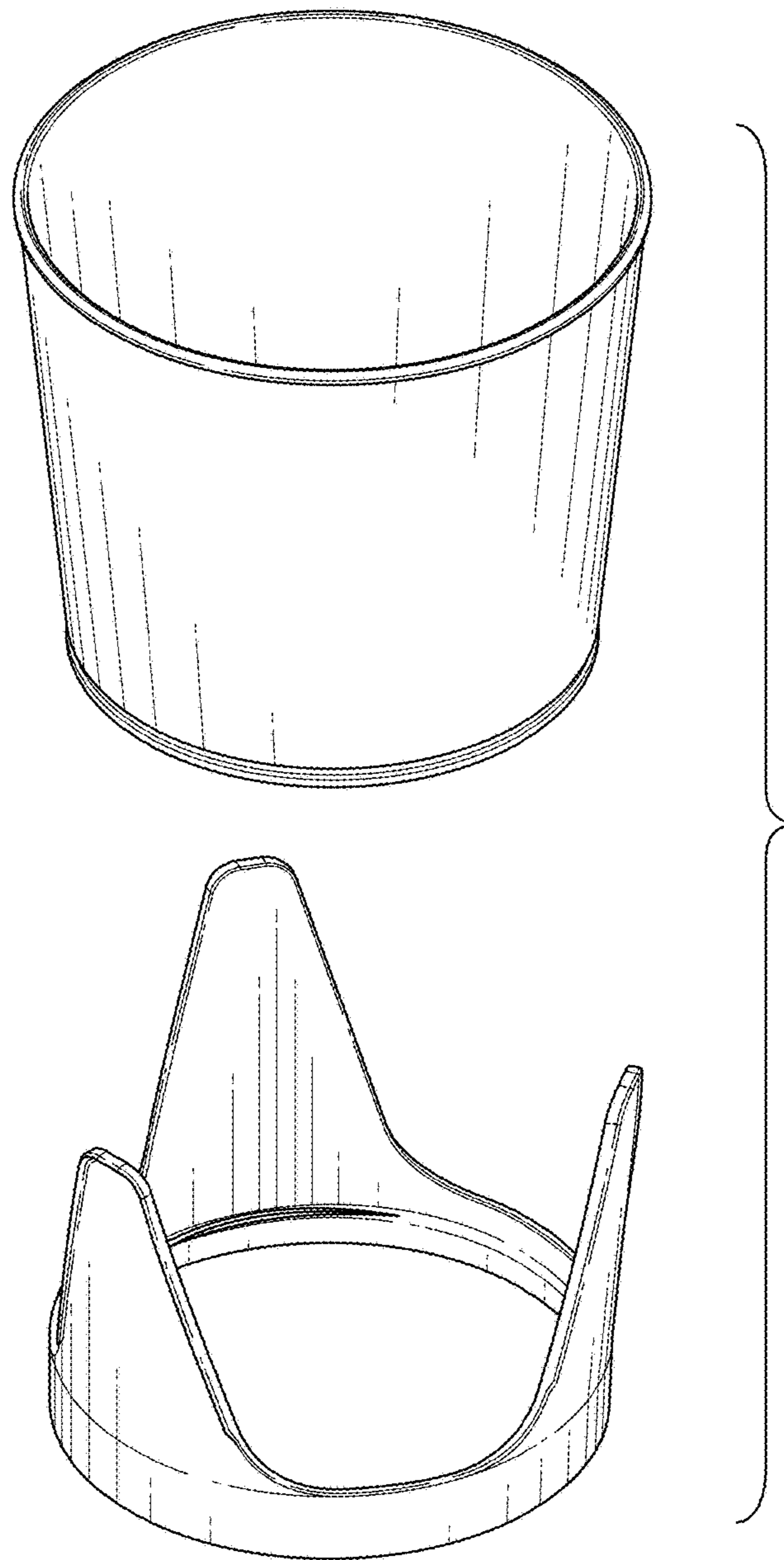


FIG. 7

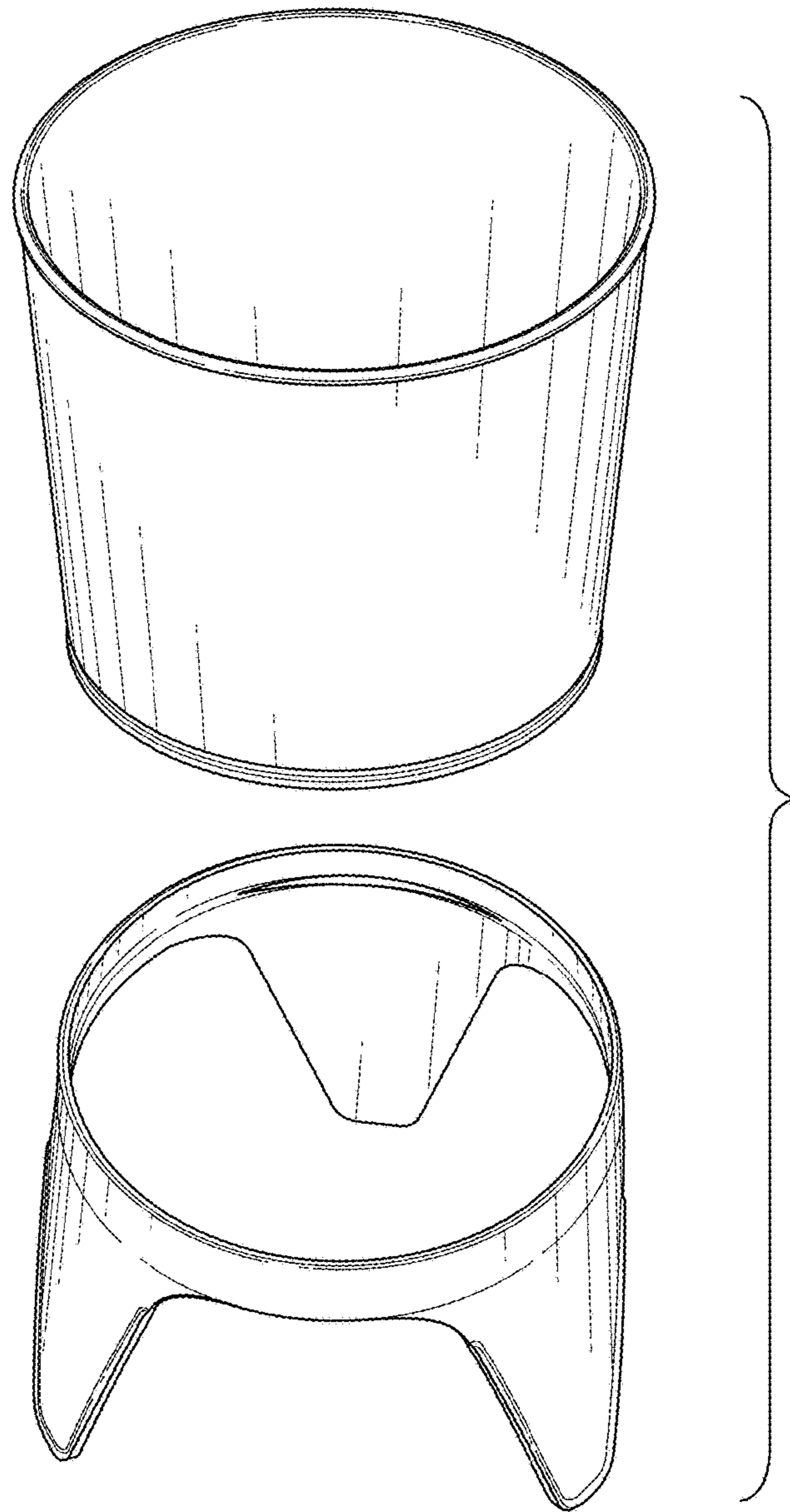


FIG. 8

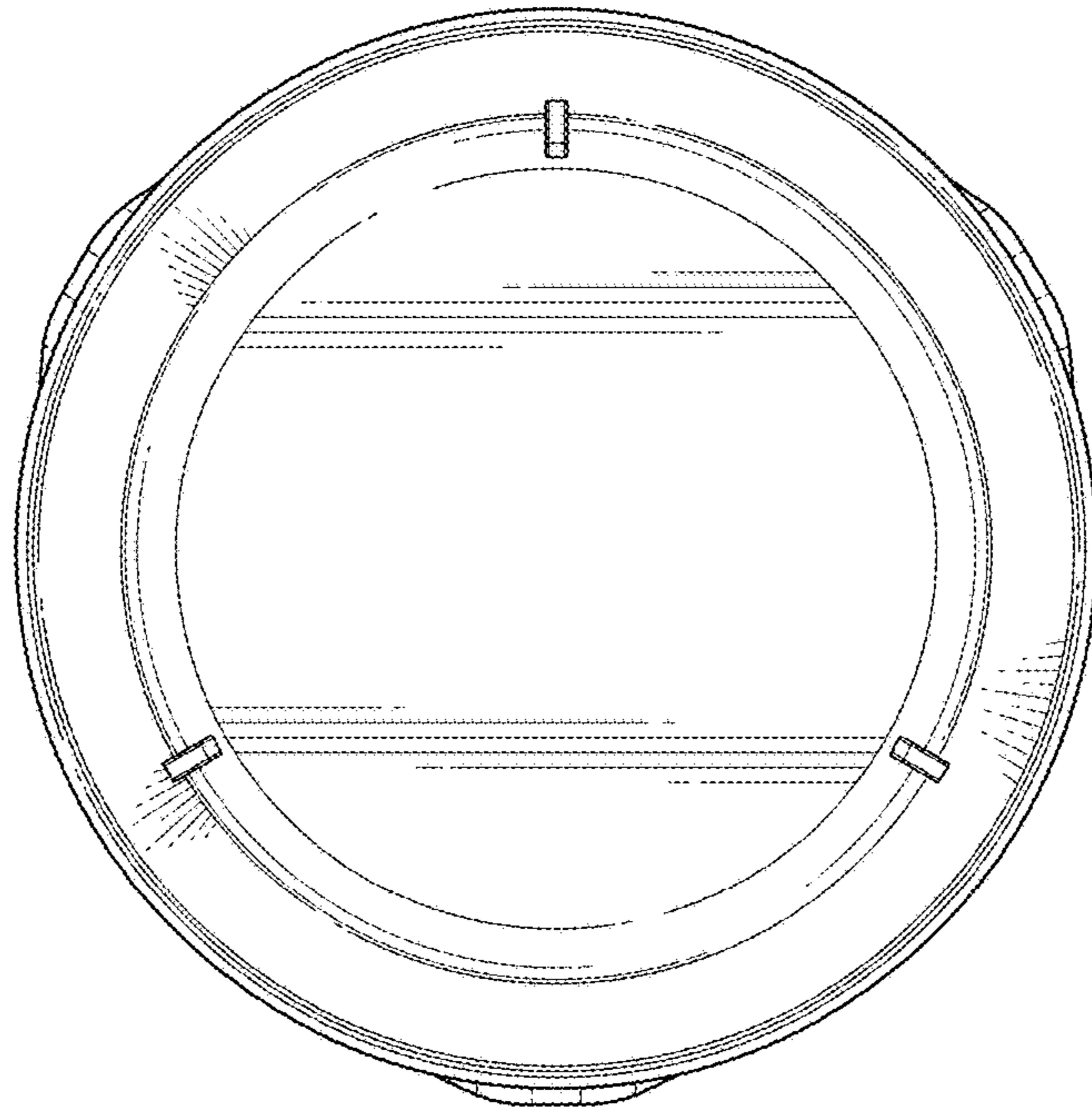


FIG. 9

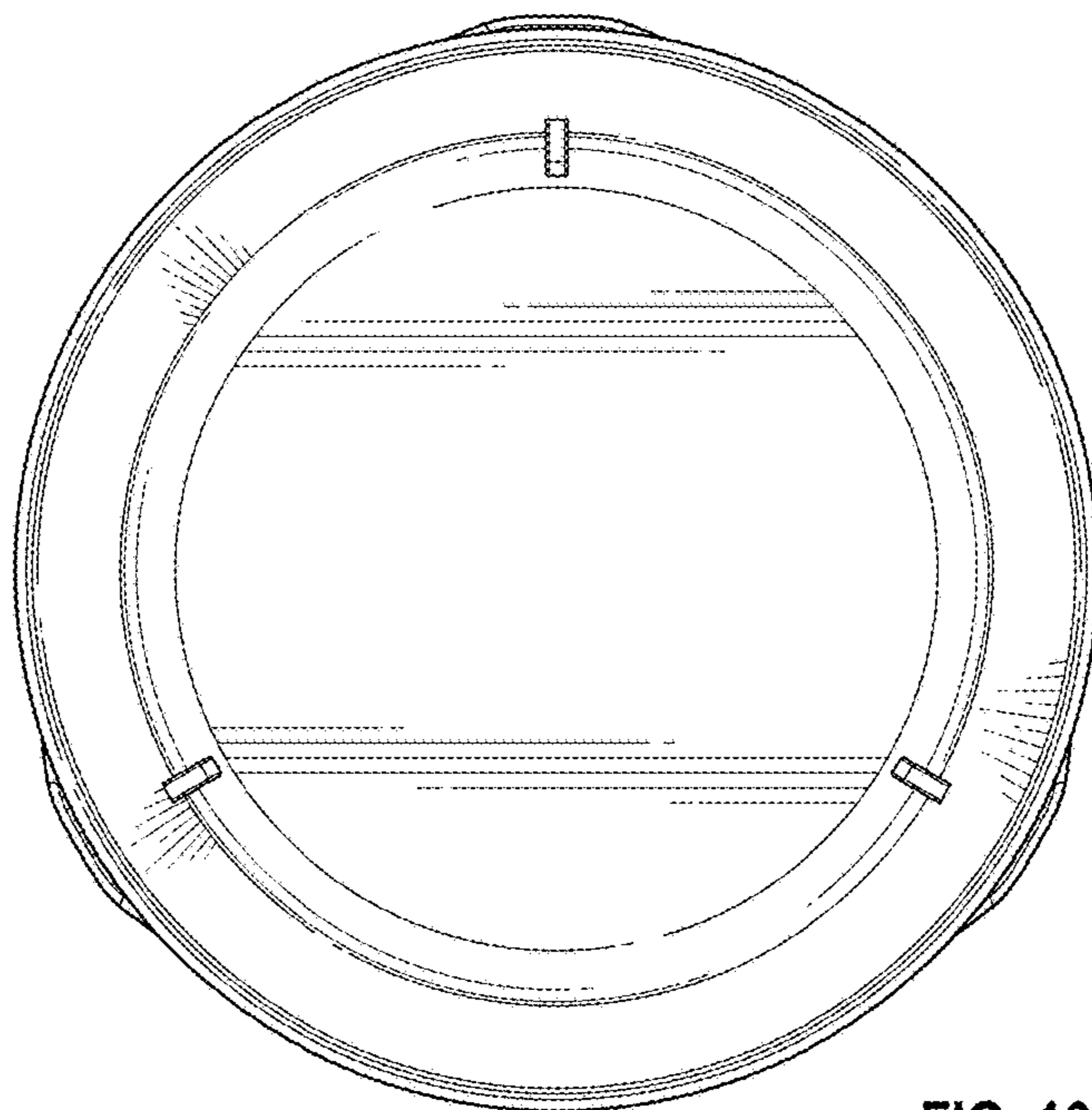


FIG. 10

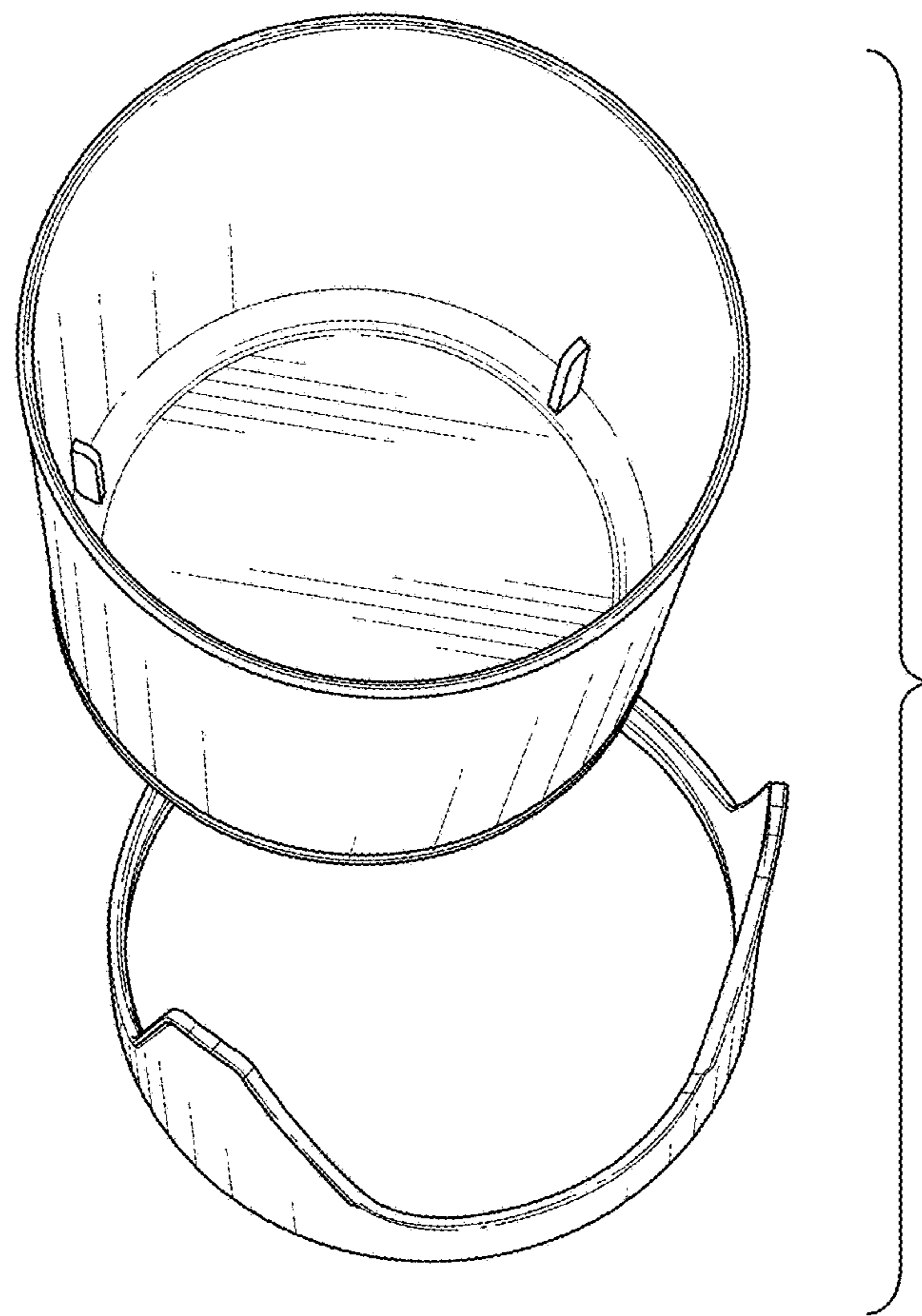


FIG. 11

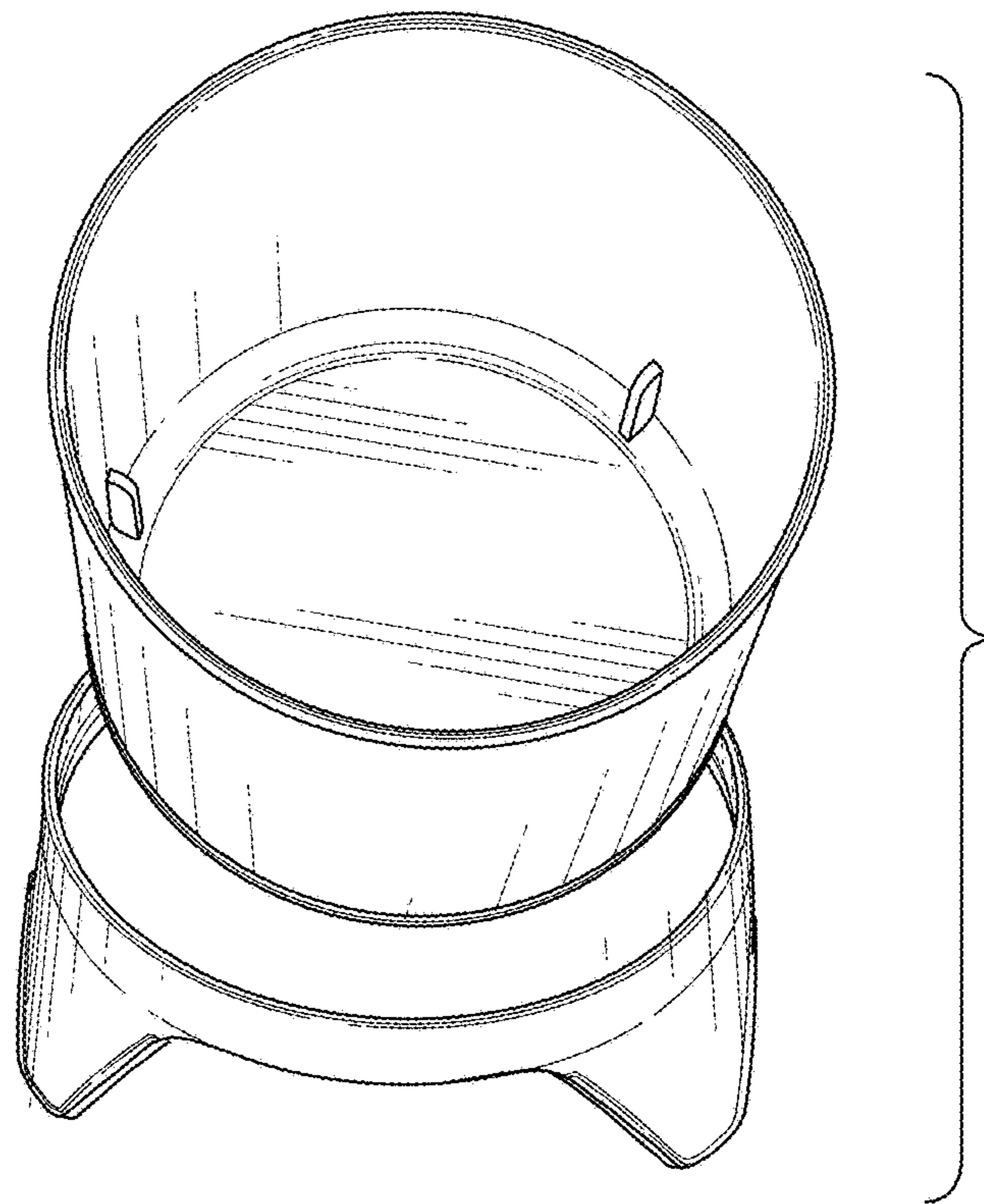


FIG. 12

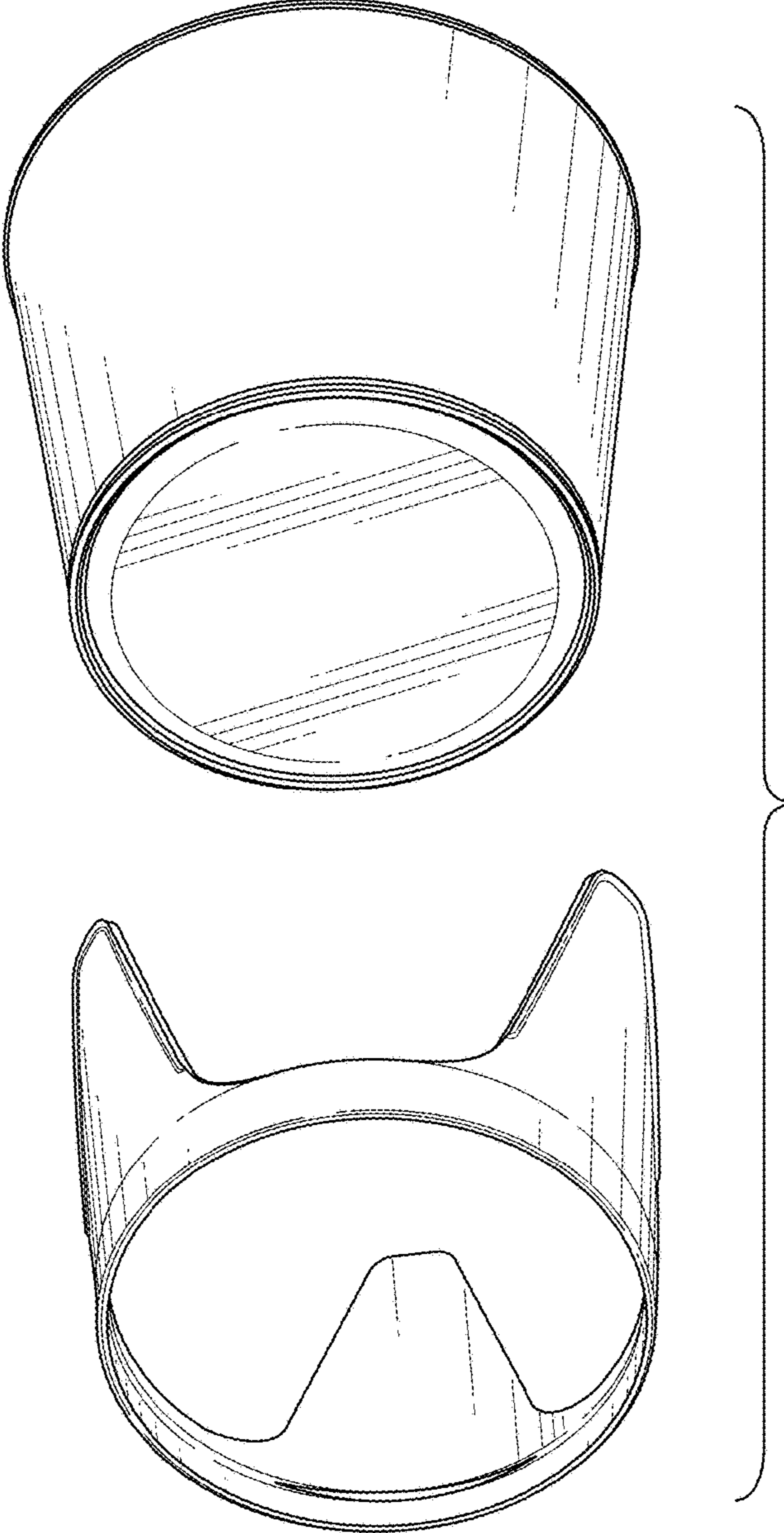


FIG. 13

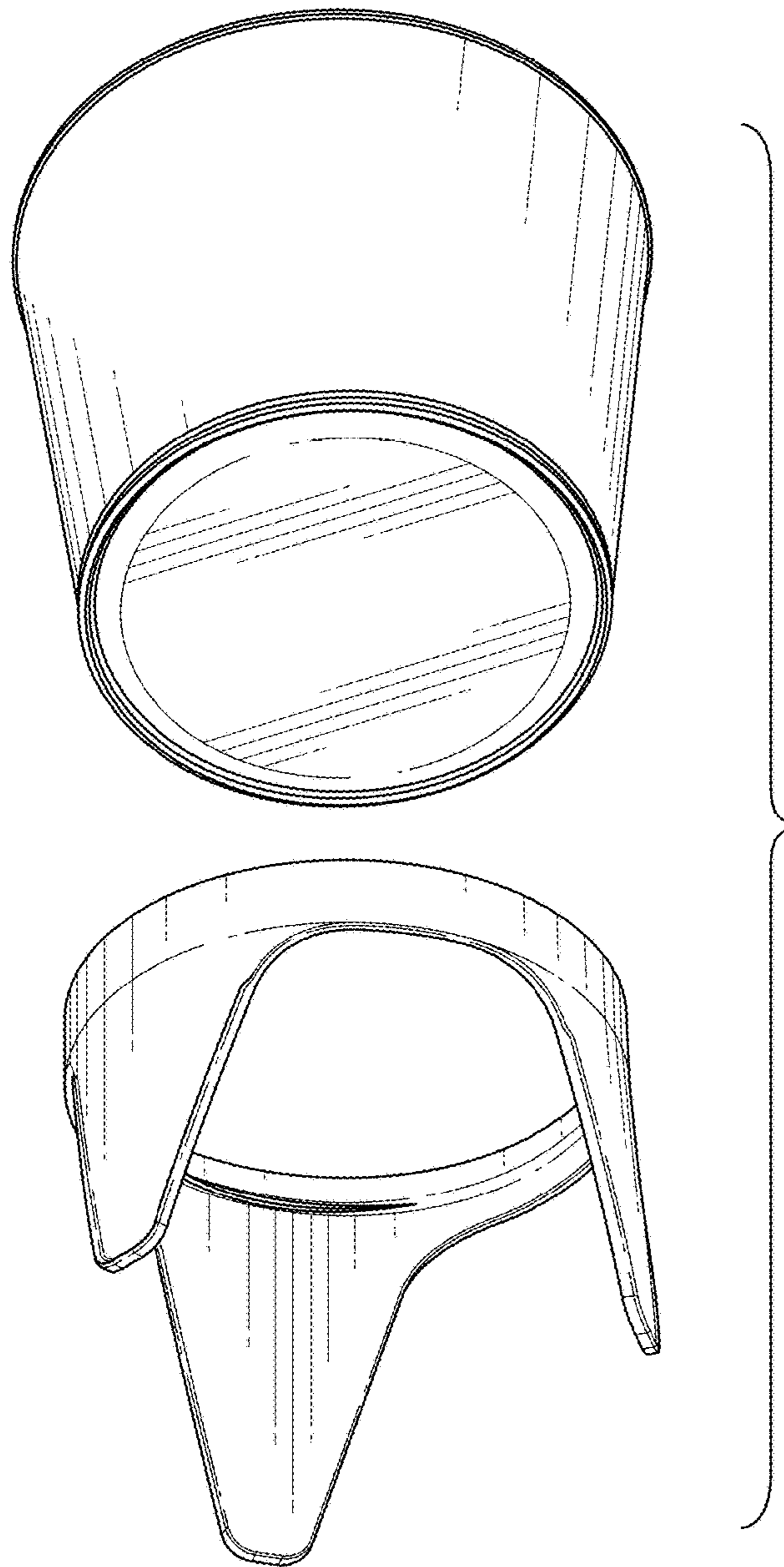


FIG. 14