



US00D838142S

(12) **United States Design Patent** (10) **Patent No.:** **US D838,142 S**  
**Davies** (45) **Date of Patent:** **\*\* Jan. 15, 2019**

(54) **DINNER PLATE**  
(71) Applicant: **Status Products Limited**, St. Helens (GB)  
(72) Inventor: **Helen Davies**, St. Helens (GB)  
(73) Assignee: **Status Products Limited** (GB)  
(\*\*) Term: **15 Years**  
(21) Appl. No.: **29/606,530**  
(22) Filed: **Jun. 5, 2017**

D344,436 S 2/1994 Walls et al.  
D358,739 S 5/1995 Brown et al.  
5,588,587 A 12/1996 Stier et al.  
D380,648 S 7/1997 Rider et al.  
D415,421 S 10/1999 McCann  
D473,939 S 4/2003 Hantke et al.  
D483,999 S \* 12/2003 Beachum ..... D7/357  
D494,012 S 8/2004 Bandy-Helderman  
D516,382 S \* 3/2006 King ..... D7/553.8  
7,172,072 B2 \* 2/2007 Schiltz ..... B65D 1/36  
206/457  
D541,488 S \* 4/2007 Marsh ..... D30/130  
(Continued)

(30) **Foreign Application Priority Data**  
Dec. 7, 2016 (EM) ..... 003504208  
Dec. 7, 2016 (EM) ..... 003504208-0001  
(51) **LOC (11) Cl.** ..... **07-01**  
(52) **U.S. Cl.**  
USPC ..... **D7/553.2; D7/555**  
(58) **Field of Classification Search**  
USPC ..... D7/500, 555, 553.2  
CPC ..... A47G 19/02  
See application file for complete search history.

FOREIGN PATENT DOCUMENTS

EM 003121060-0001 7/2016  
*Primary Examiner* — Cynthia R Underwood  
(74) *Attorney, Agent, or Firm* — Reichel Stohry LLP;  
Natalie J. Dean; Mark C. Reichel

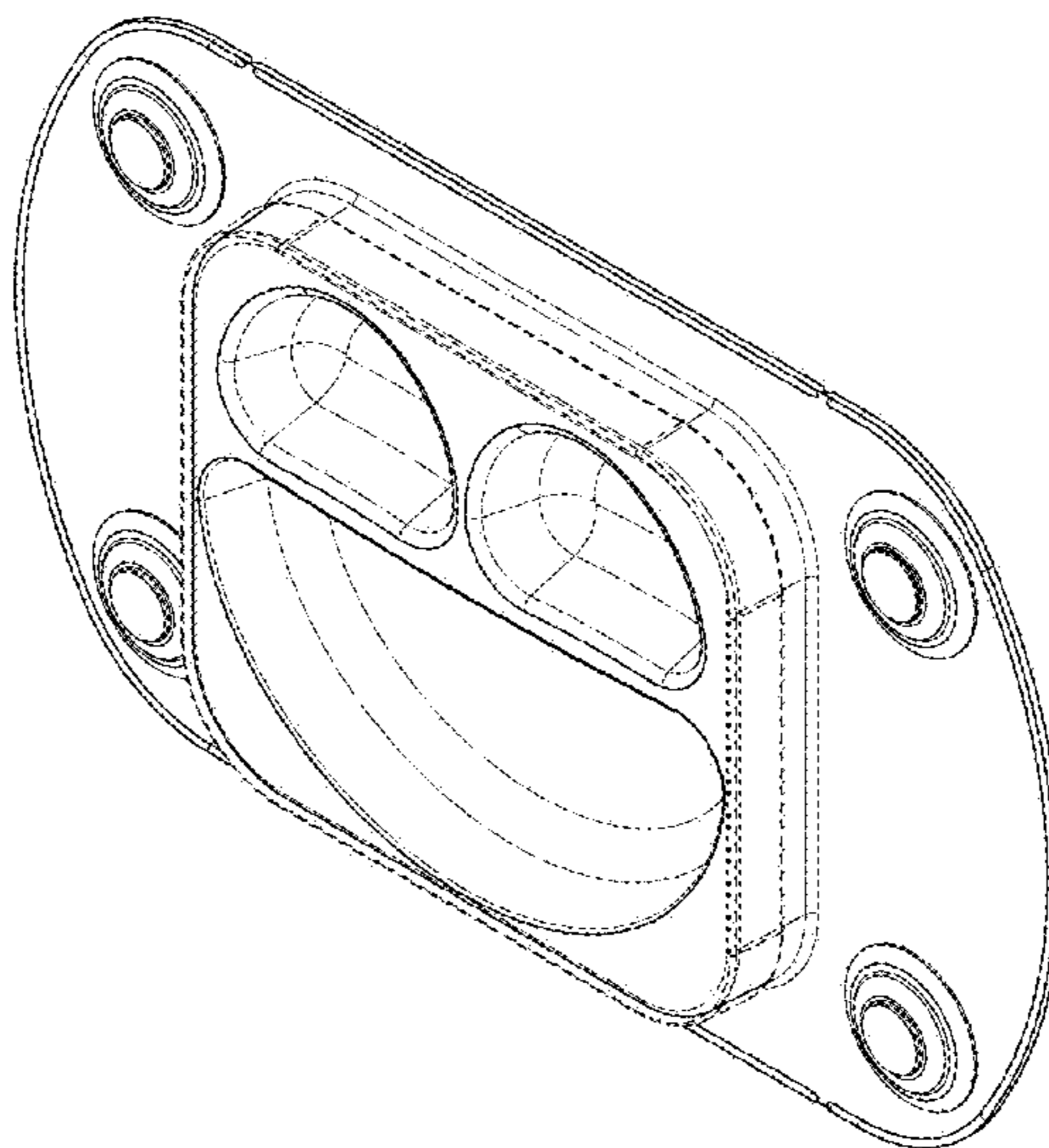
(56) **References Cited**  
U.S. PATENT DOCUMENTS  
204,740 A 6/1878 Johnson  
1,848,066 A 3/1932 Shepard et al.  
D152,312 S 1/1949 Zeisel  
D162,013 S 2/1951 Day  
2,545,733 A 3/1951 Hatfield  
2,683,974 A 7/1954 Brown  
D188,502 S 8/1960 Metzler  
3,107,027 A \* 10/1963 Hong ..... B65D 1/36  
206/546  
D225,555 S \* 12/1972 Cyr et al. .... D7/505  
D226,830 S 5/1973 Bridges  
D288,513 S 3/1987 Shelly  
D309,684 S \* 8/1990 Kohler ..... D12/133

(57) **CLAIM**  
The ornamental design for a dinner plate, as shown and described.

DESCRIPTION

FIG. 1 is a top perspective view of a dinner plate of the present disclosure according to at least one embodiment; FIG. 2 is a bottom perspective view of the dinner plate of FIG. 1; FIG. 3 is a top view of the dinner plate of FIG. 1; FIG. 4 is a bottom view of the dinner plate of FIG. 1; FIG. 5 is a front elevational view of the dinner plate of FIG. 1; FIG. 6 is a side elevational view of a first side of the dinner plate of FIG. 1; and, FIG. 7 is a side elevational view of a second side of the dinner plate of FIG. 1. The broken lines in FIGS. 1, 3, and 5-7 form no part of the claimed design.

**1 Claim, 7 Drawing Sheets**



(56)

**References Cited**

U.S. PATENT DOCUMENTS

7,337,943	B2	3/2008	Johns et al.	
D568,110	S	5/2008	Epstein	
D658,917	S	5/2012	Harris et al.	
D715,595	S	10/2014	Gunstad et al.	
D722,407	S *	2/2015	Roslonski .....	D30/130
D745,327	S	12/2015	Laurain	
D745,807	S *	12/2015	Harris .....	D7/553.2
D753,443	S *	4/2016	Mock .....	D7/555
D766,659	S *	9/2016	Laurain .....	D30/130
D766,660	S *	9/2016	Laurain .....	D30/130
D770,856	S *	11/2016	Li .....	D7/553.2
D791,544	S *	7/2017	Dennis .....	D7/553.2
D802,368	S *	11/2017	Peng .....	D7/553.2
D803,627	S *	11/2017	Wrightson .....	D7/553.2
D807,705	S *	1/2018	Laurain .....	D7/555

\* cited by examiner

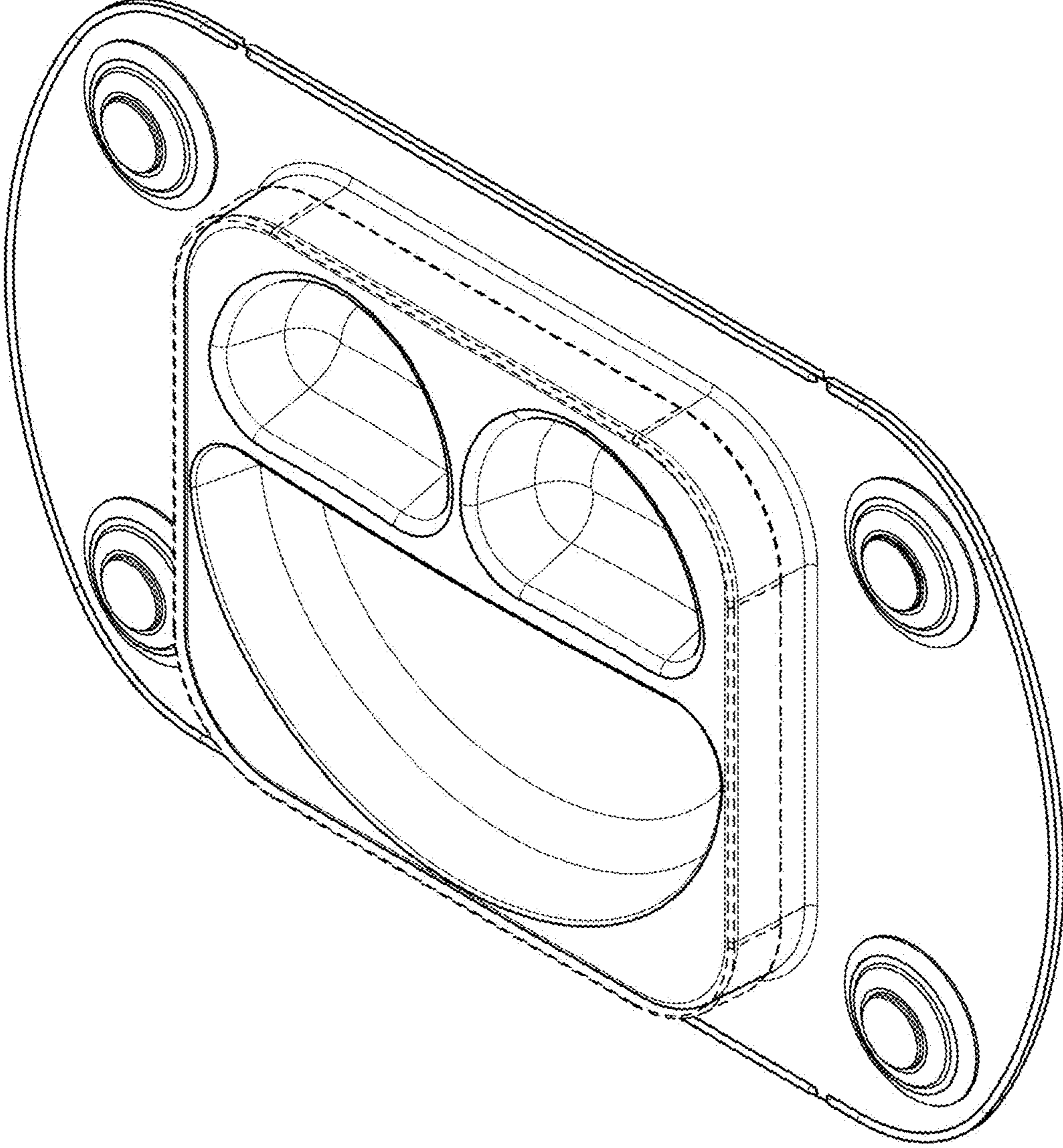


Figure 1

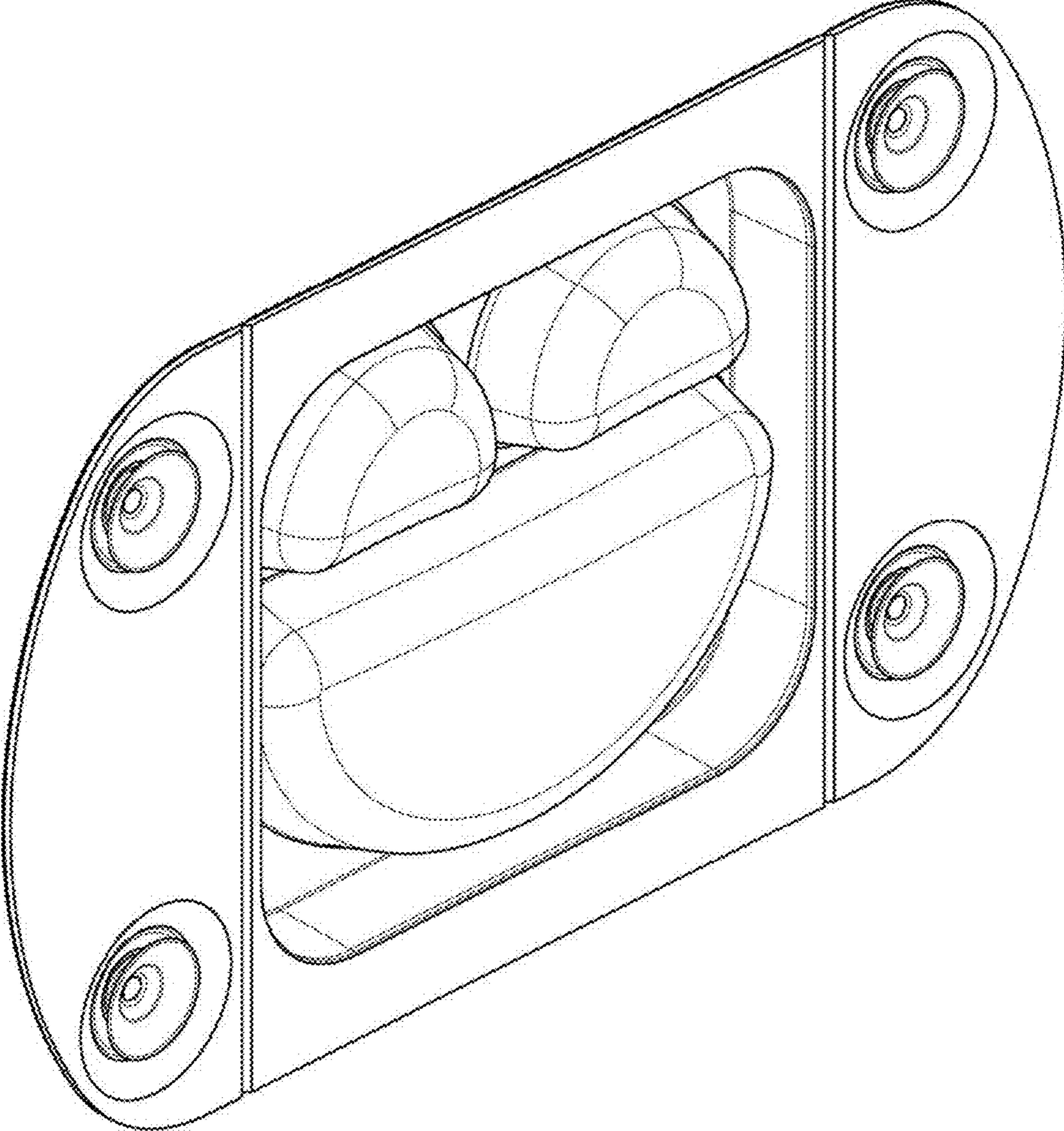


Figure 2

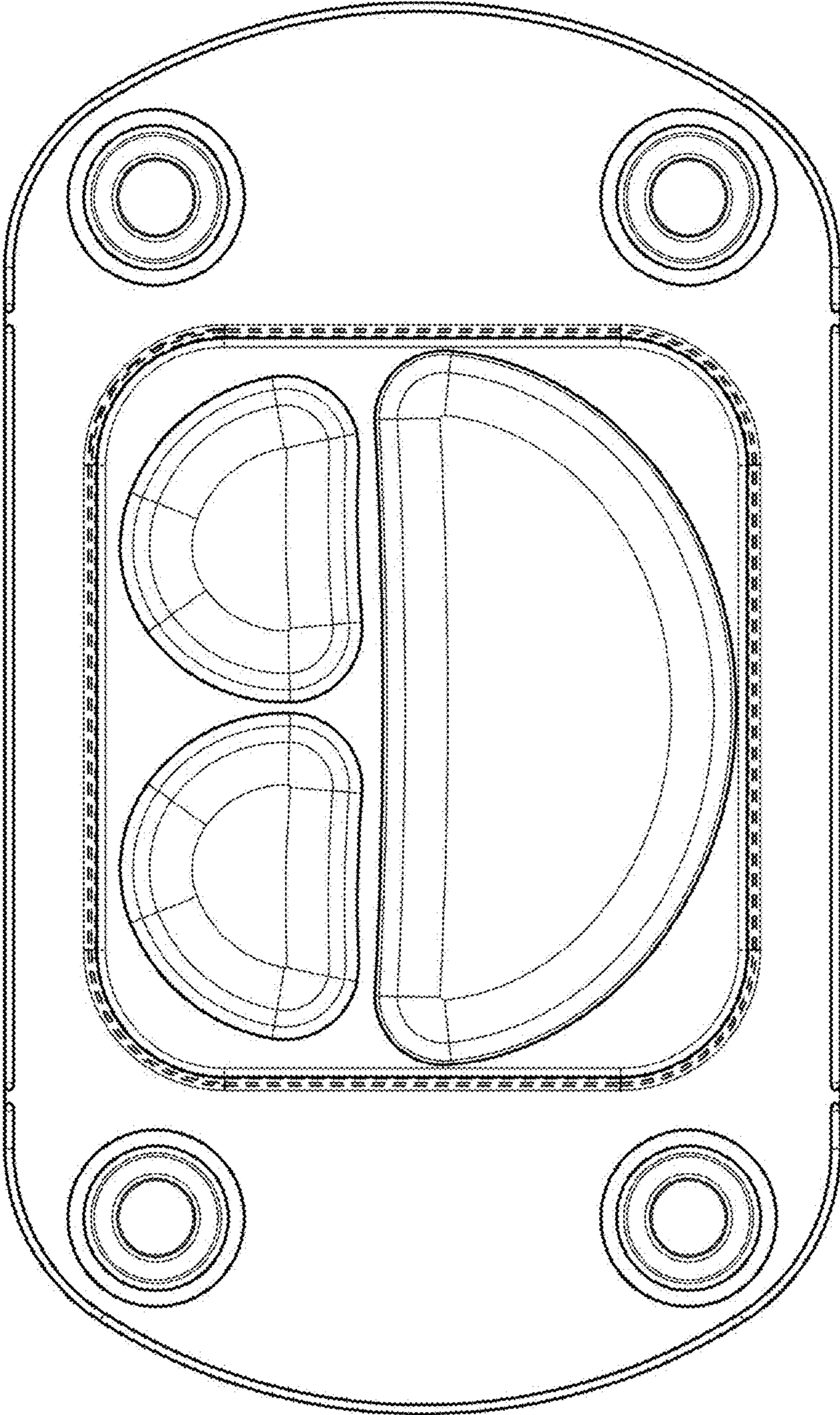


Figure 3

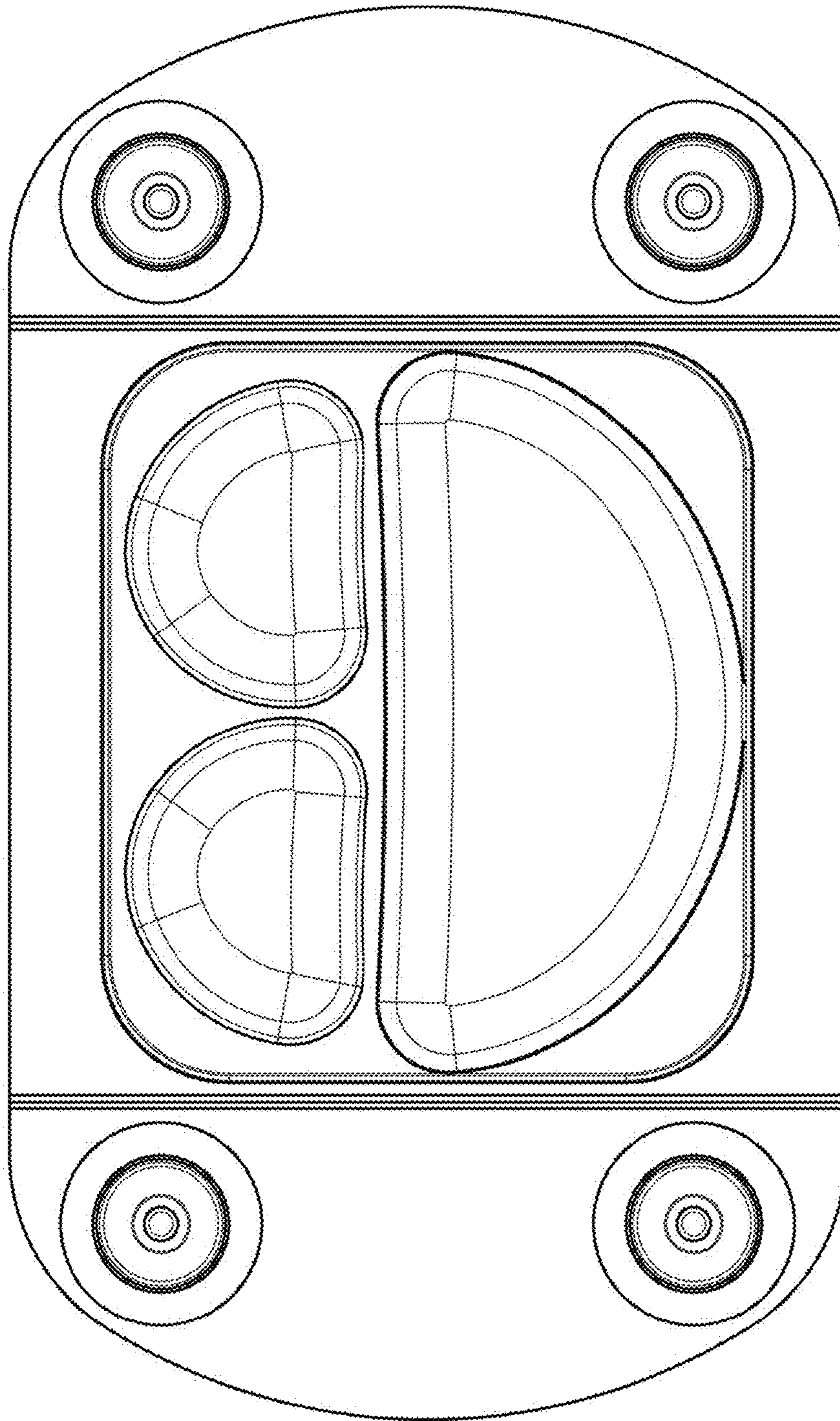


Figure 4

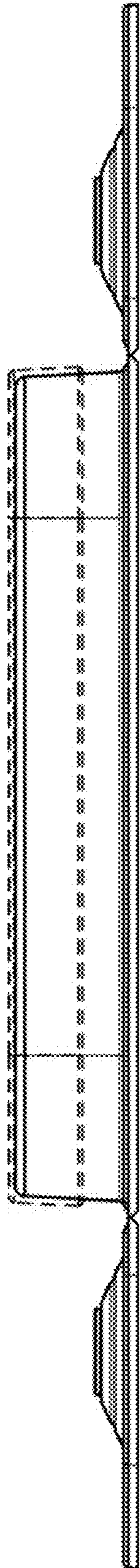


Figure 5

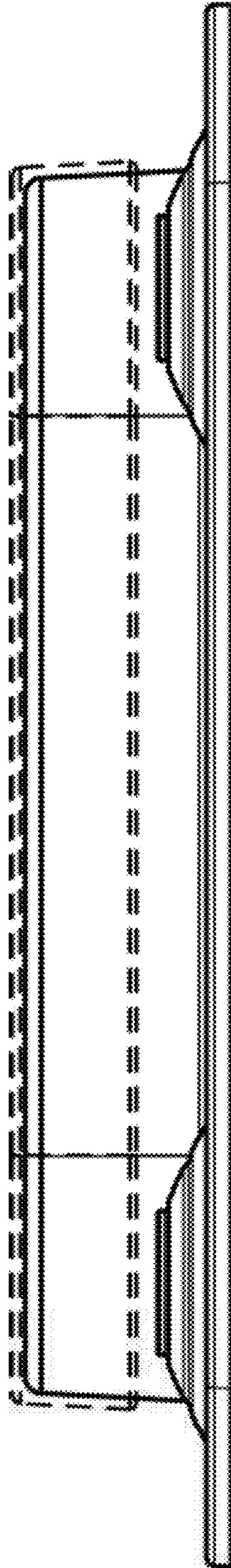


Figure 6



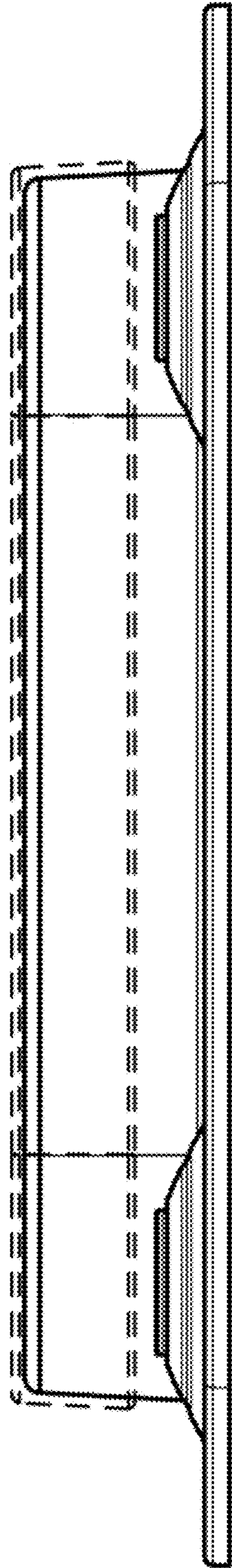


Figure 7