



US00D838141S

(12) **United States Design Patent**
Bertsch

(10) **Patent No.:** **US D838,141 S**
(45) **Date of Patent:** **** Jan. 15, 2019**

- (54) **BOTTLE**
- (71) Applicant: **Jooster IP AG**, Bielbenken BL (CH)
- (72) Inventor: **Christoph Bertsch**, Pacific Palisades, CA (US)
- (73) Assignee: **Jooster IP AG**, BielBenken BL (CH)
- (**) Term: **15 Years**
- (21) Appl. No.: **29/609,234**
- (22) Filed: **Jun. 29, 2017**
- (51) **LOC (11) Cl.** **07-01**
- (52) **U.S. Cl.**
USPC **D7/510; D7/523; D7/532; D7/608;**
D9/504; D9/549
- (58) **Field of Classification Search**
USPC **D7/507, 509, 510, 511, 523, 532, 527,**
D7/531, 392.1, 396.2, 397, 398, 514, 515,
D7/529, 608; D9/500, 651, 501, 504,
D9/503, 505, 569, 542, 558, 435, 516,
D9/520, 530, 532, 549; 220/592.16,
220/592.17; 215/381
CPC **A47G 19/22; A47G 19/2205; A47G**
19/2266; A47J 41/02; B65D 47/066;
B65D 1/02
See application file for complete search history.

(56) **References Cited**

U.S. PATENT DOCUMENTS

- D275,733 S * 10/1984 Pardo D9/454
- D316,371 S * 4/1991 Vola D9/504
- D366,809 S * 2/1996 Green D7/510
- D381,259 S * 7/1997 Hayes D9/454
- D396,639 S * 8/1998 Pedersen-Rask D9/454
- D406,764 S * 3/1999 Bright D9/503
- 5,878,898 A * 3/1999 Shefflin A61J 9/085
215/11.1
- D424,942 S * 5/2000 Ohchi D9/503

- D429,118 S * 8/2000 Hurlbut D7/608
- D437,528 S * 2/2001 Kitamura D7/608
- D438,376 S * 3/2001 Marshall D3/257
- D466,814 S * 12/2002 Hurlburt D9/504
- D488,675 S * 4/2004 Moore D7/608
- D491,800 S * 6/2004 Palomino, Jr. D9/504
- D497,778 S * 11/2004 Rich D7/608
- D553,914 S * 10/2007 Wahl D7/608
- D570,688 S * 6/2008 Haywood D9/502
- D606,404 S * 12/2009 Diss D9/428
- D612,240 S * 3/2010 Cresswell D9/454
- D623,480 S * 9/2010 Moran D7/608
- D623,481 S * 9/2010 Moran D7/608
- D625,561 S * 10/2010 Ablo D7/511

(Continued)

Primary Examiner — Marianne N Pandozzi
Assistant Examiner — Jae Liang
 (74) *Attorney, Agent, or Firm* — Socal IP Law Group
 LLP; Nikki M. Dossman; Steven C. Sereboff

(57) **CLAIM**

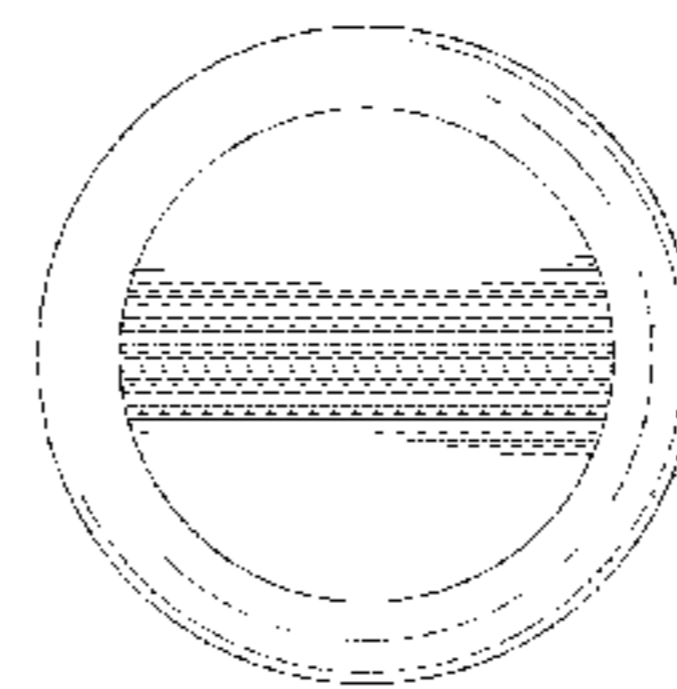
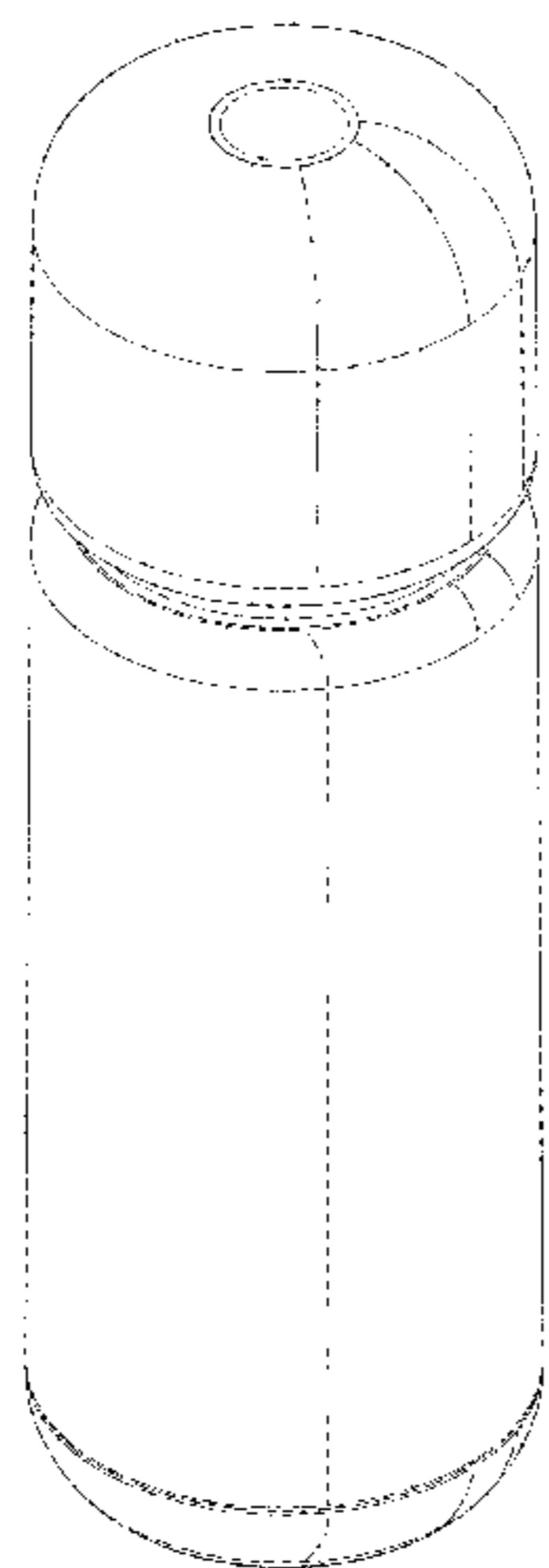
The ornamental design for a bottle, as shown and described.

DESCRIPTION

A portion of the disclosure of this patent document contains material to which a claim for copyright is made. The copyright owner has no objection to the facsimile reproduction by anyone of the patent document or the patent disclosure, as it appears in the Patent and Trademark Office patent file or records, but reserves all other copyright rights whatsoever.

FIG. 1 is a top perspective view of a bottle showing my new design;
 FIG. 2 is a bottom perspective view thereof;
 FIG. 3 is a side view thereof;
 FIG. 4 is a top view thereof; and,
 FIG. 5 is a bottom view thereof.
 The broken lines in the drawings depict portions of the bottle that form no part of the claimed design.

1 Claim, 4 Drawing Sheets



5007-UGAN IP AG

5007-UGAN IP AG

(56)

References Cited

U.S. PATENT DOCUMENTS

D626,416	S	*	11/2010	Cresswell	D7/510
D639,166	S	*	6/2011	Carreno	D9/504
D639,180	S	*	6/2011	Shiota	D9/689
D652,682	S	*	1/2012	Eyal	D7/510
D672,198	S	*	12/2012	Soltz	D7/507
D677,570	S	*	3/2013	Cueto	D9/504
D683,221	S	*	5/2013	Graham	D9/504
D687,677	S	*	8/2013	Sturgess	D7/507
D696,117	S	*	12/2013	Lee	D9/500
8,752,720	B1	*	6/2014	Habig	B65D 55/16 215/306
D716,099	S	*	10/2014	Farber	D24/197
D729,584	S	*	5/2015	Weston	D7/510
D736,036	S	*	8/2015	Dash	D7/541
D746,045	S	*	12/2015	Smetham	D3/203.1
D755,050	S	*	5/2016	Sato	D9/502
D778,173	S	*	2/2017	Pisarevsky	D3/203.3
D779,272	S	*	2/2017	Lee	D7/510
D782,313	S	*	3/2017	Roser	D9/504

* cited by examiner

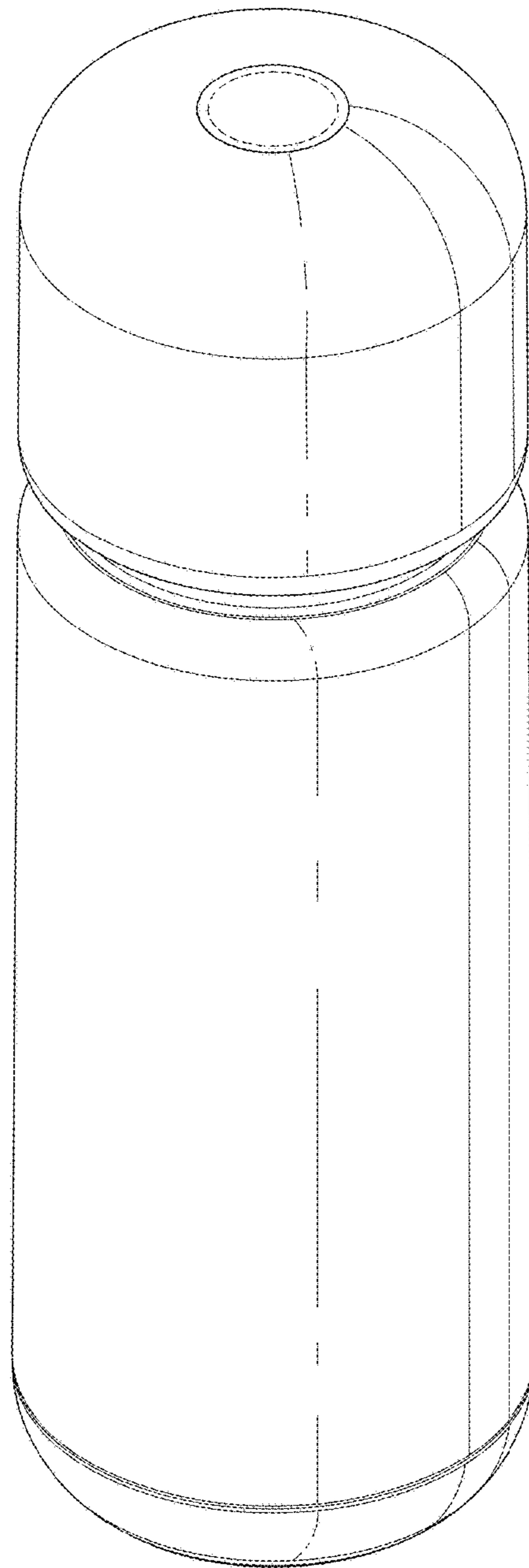


FIG. 1

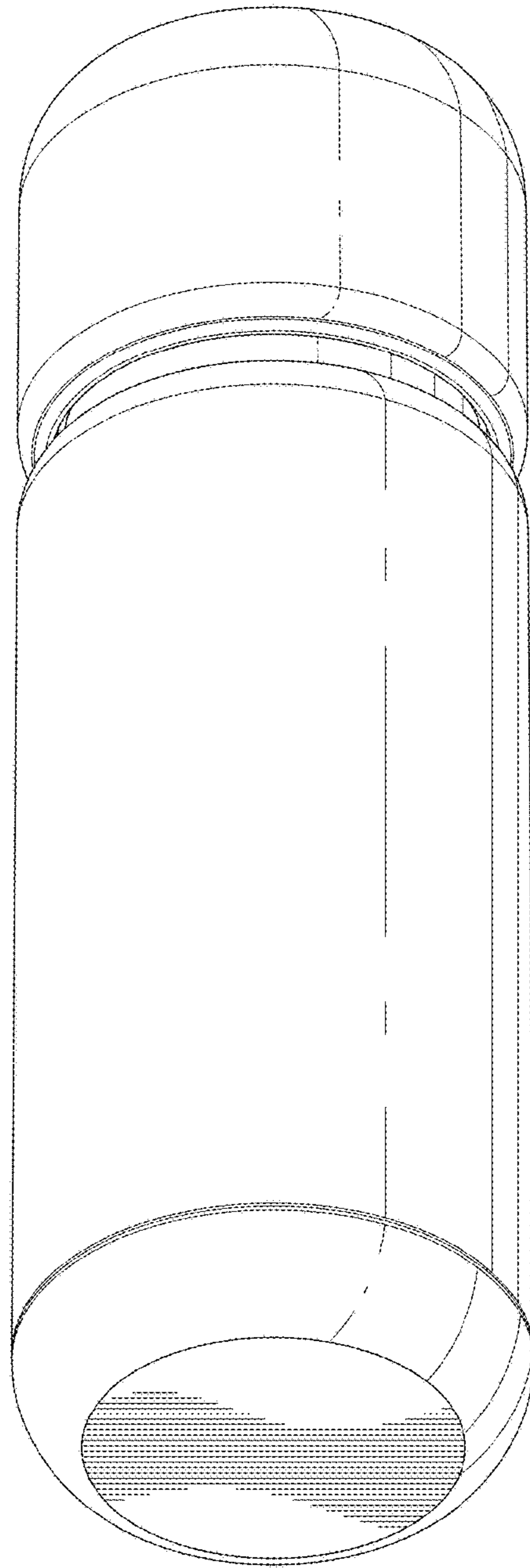


FIG. 2

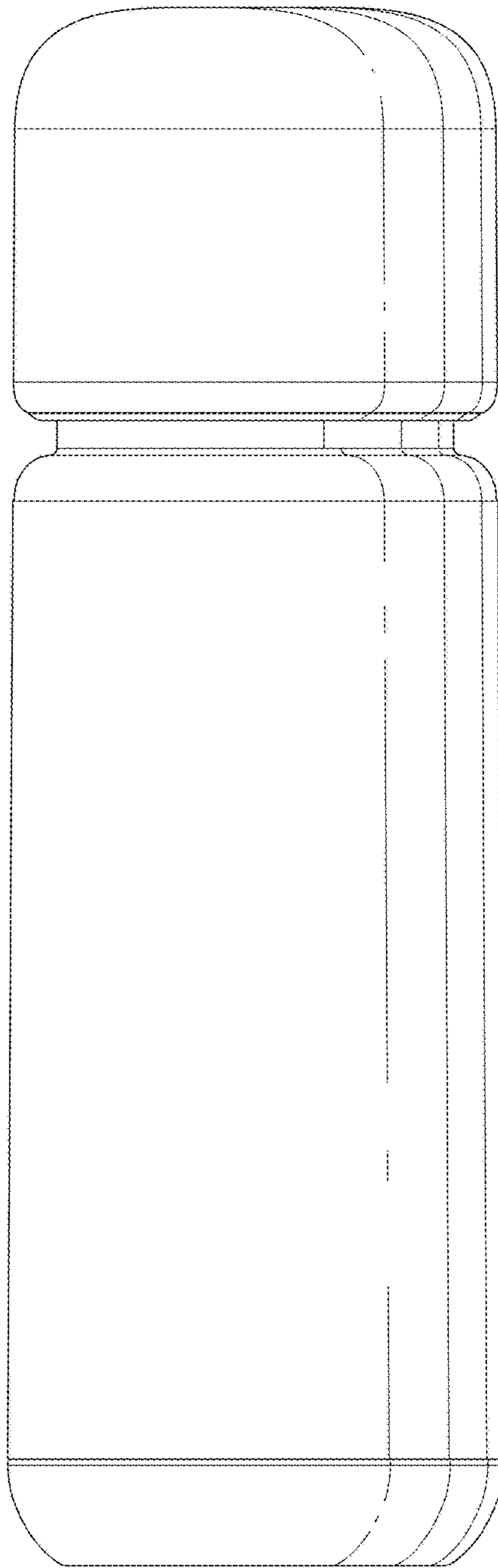


FIG. 3

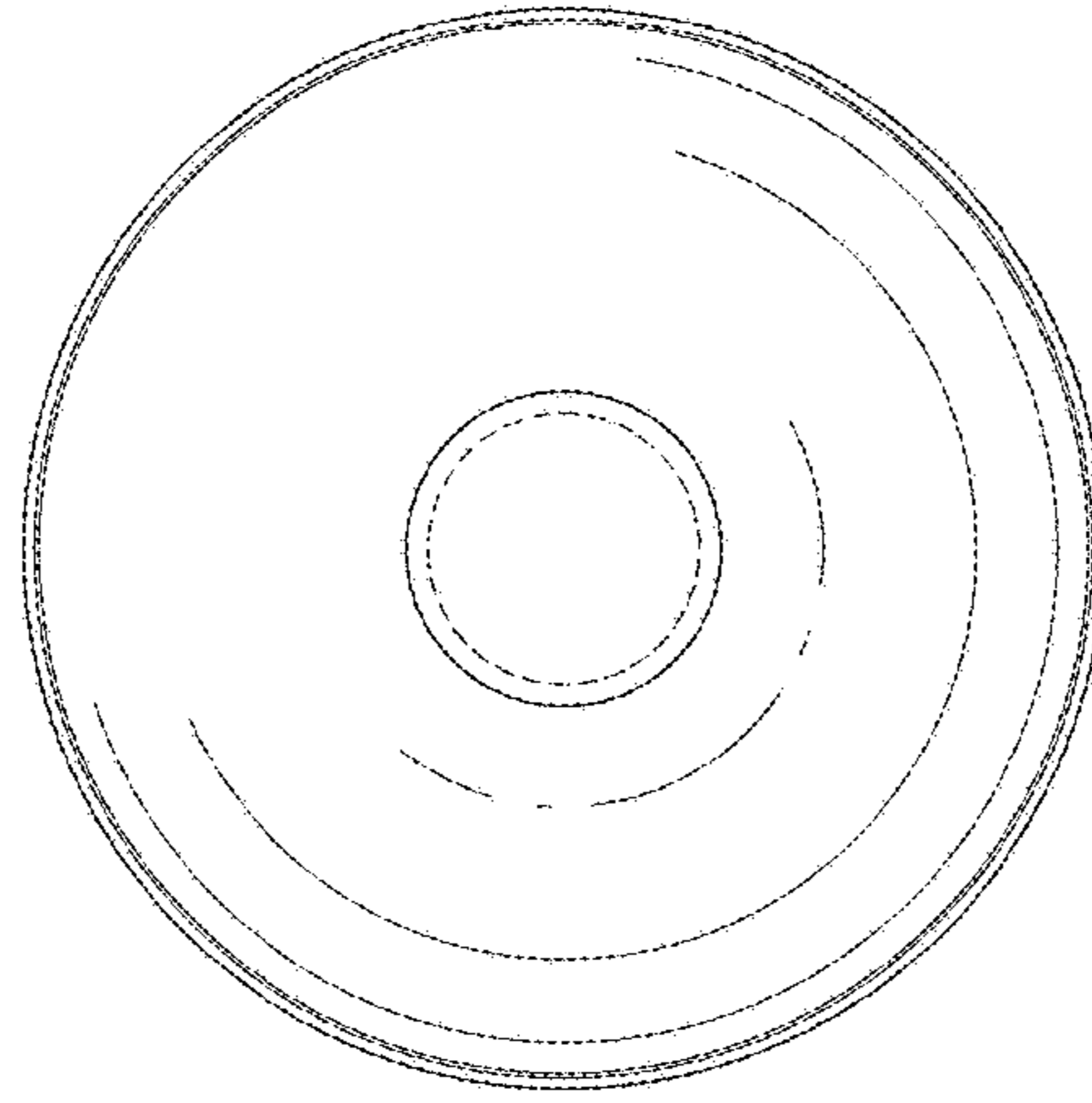


FIG. 4

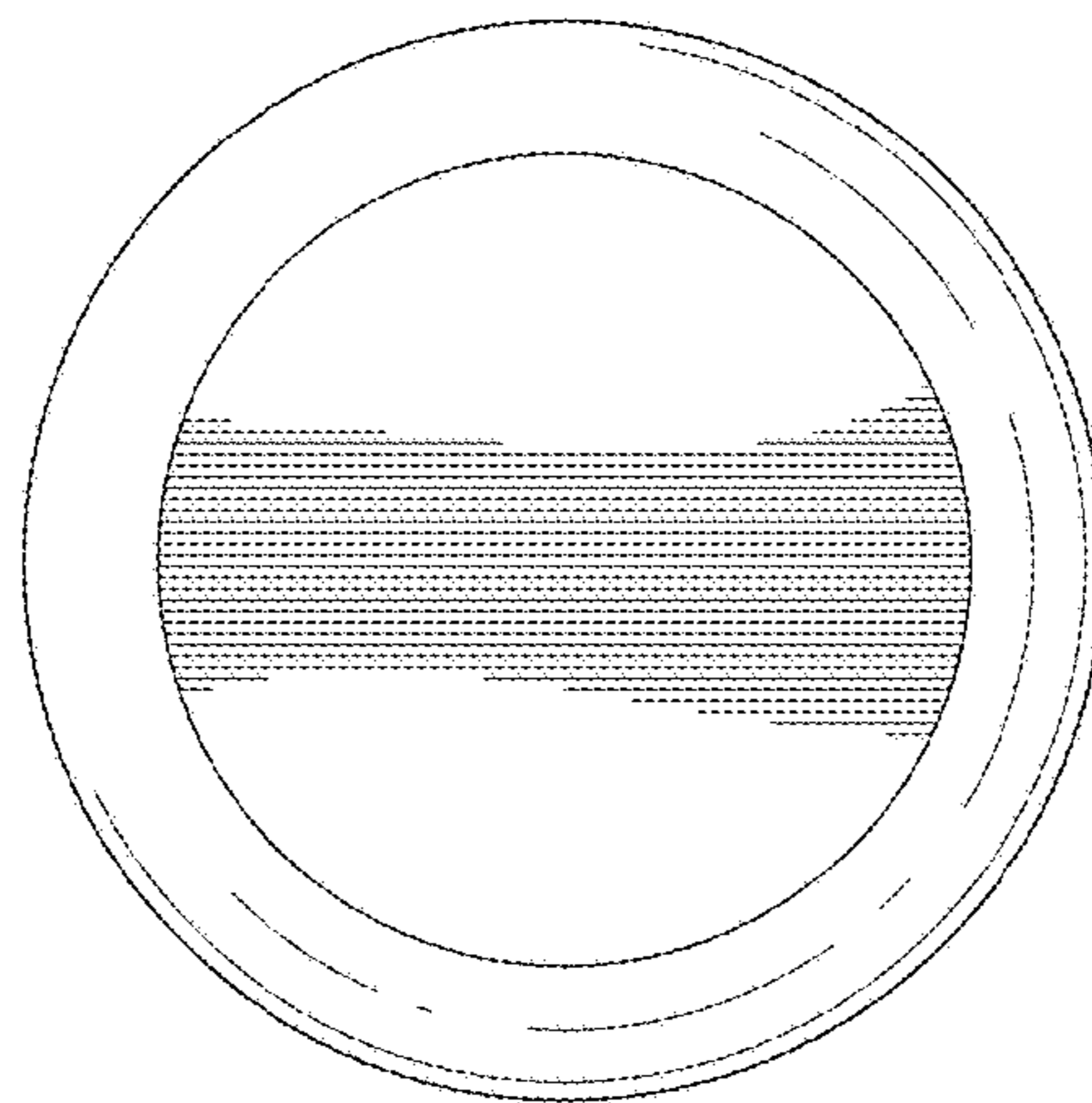


FIG. 5