



US00D838140S

(12) **United States Design Patent**
Furneaux et al.

(10) **Patent No.:** **US D838,140 S**
(45) **Date of Patent:** **** Jan. 15, 2019**

(54) **INSULATED TUMBLER WITH STRAW**

(71) Applicant: **Sovaro Coolers, LLC**, Roswell, GA
(US)

(72) Inventors: **Todd McLean Furneaux**, Roswell, GA
(US); **Michael Thuma**, La Grange, IL
(US); **Michael R. Vogler**, Oswego, IL
(US)

(73) Assignee: **Sovaro Coolers, LLC**, Roswell, GA
(US)

(**) Term: **15 Years**

(21) Appl. No.: **29/595,820**

(22) Filed: **Mar. 2, 2017**

(51) **LOC (11) Cl.** **07-01**

(52) **U.S. Cl.**
USPC **D7/510; D7/511; D7/523; D7/532;**
D7/608

(58) **Field of Classification Search**

USPC **D7/507, 509, 510, 511, 523, 529, 531,**
D7/532, 533, 536, 392.1, 396.2, 300.2,
D7/608; D9/500, 501, 502, 503, 530,
D9/516, 453, 447; 220/592.16, 592.17
CPC **A47G 19/2205; A47G 19/22; A47G**
19/2266; B65D 47/066; A45F 3/16; A47J
41/02

See application file for complete search history.

(56) **References Cited**

U.S. PATENT DOCUMENTS

D256,669 S * 9/1980 Mitchell D9/428
D399,392 S * 10/1998 Husted D7/511
D476,193 S * 6/2003 Janky D7/510
D559,039 S * 1/2008 Freeman D7/509
D574,192 S * 8/2008 Schosser D7/509
D622,548 S * 8/2010 Jensen D7/509
D644,062 S * 8/2011 Lorenz D7/396.2

D667,151 S * 9/2012 Arslanian D26/9
D682,088 S * 5/2013 de Urquijo Carmona D9/428
D688,098 S * 8/2013 Miller D7/523
D697,802 S * 1/2014 Lane D9/500
D714,589 S * 10/2014 Uchida D7/523
D729,581 S * 5/2015 Boroski D7/510
D731,240 S * 6/2015 Bell D7/300.2
D732,338 S * 6/2015 Boroski D7/507
D752,391 S * 3/2016 Hatherell D7/510
D757,542 S * 5/2016 Prum D9/447
9,359,114 B2 * 6/2016 Wong B65D 43/26
D761,624 S * 7/2016 McLean D7/507
D769,717 S * 10/2016 Fairchild, Jr. D7/624.2
D770,231 S * 11/2016 Hume D7/523
D790,276 S * 6/2017 Lane D7/507
D795,017 S * 8/2017 Freeman D7/584
9,737,161 B1 * 8/2017 Li A47G 19/2205
D805,351 S * 12/2017 Hayami D7/511
D805,352 S * 12/2017 Thuma D7/523

(Continued)

Primary Examiner — Marianne N Pandozzi

Assistant Examiner — Jae Liang

(74) *Attorney, Agent, or Firm* — McHale & Slavin, P.A.

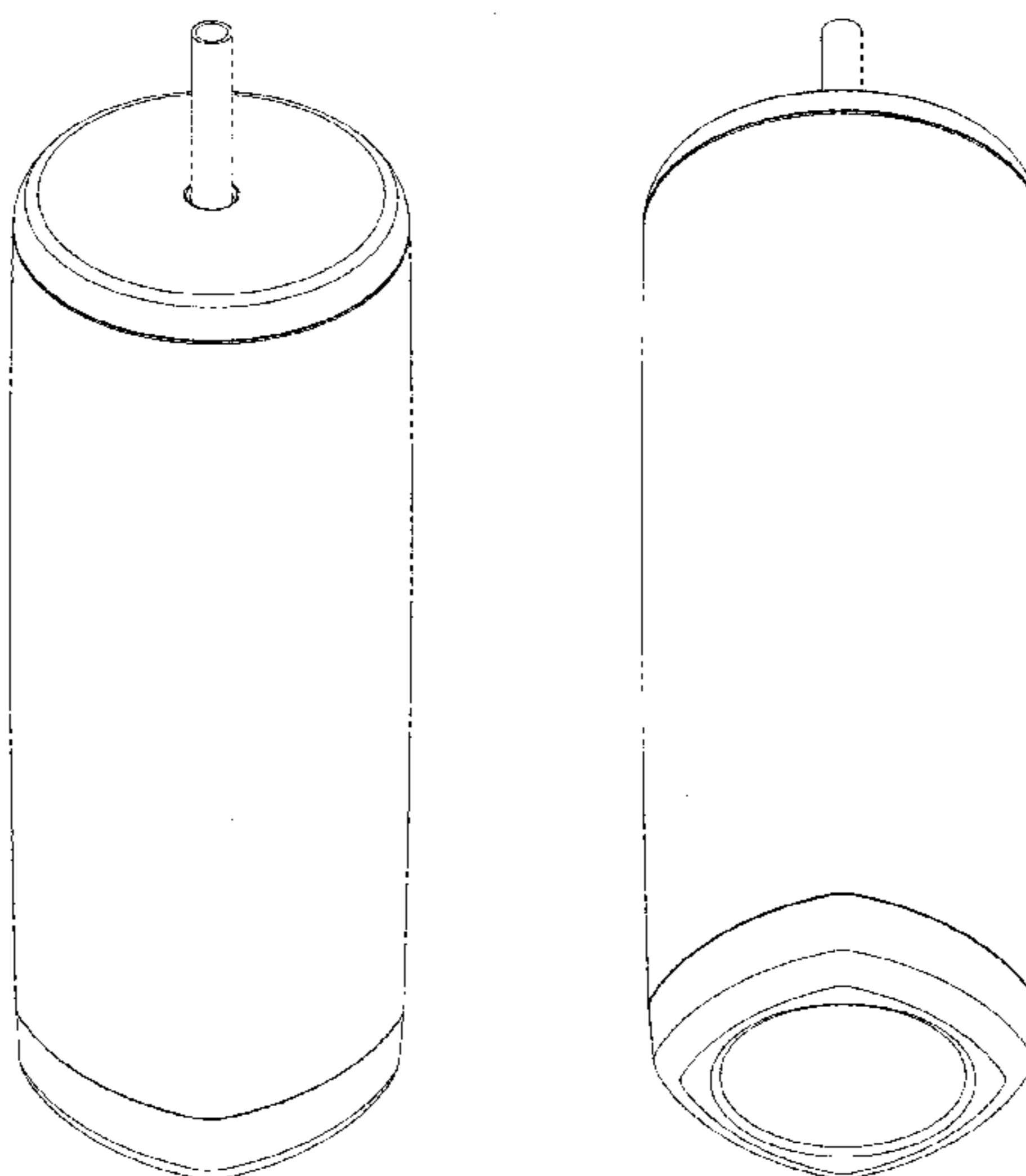
(57) **CLAIM**

The ornamental design for an insulated tumbler with straw, as shown and described.

DESCRIPTION

FIG. 1 is a top isometric view of an insulated tumbler with straw showing our new design;
FIG. 2 is a front view thereof;
FIG. 3 is a rear view thereof;
FIG. 4 is a left side view thereof;
FIG. 5 is a right side view thereof;
FIG. 6 is a top view thereof;
FIG. 7 is a bottom view thereof;
FIG. 8 is a bottom isometric view thereof;
FIG. 9 is another bottom isometric view thereof; and,
FIG. 10 is another top isometric view thereof.

1 Claim, 10 Drawing Sheets



(56)

References Cited

U.S. PATENT DOCUMENTS

D806,475 S *	1/2018	Pisarevsky	D7/507
D817,718 S *	5/2018	Furneaux	D7/532
D821,144 S *	6/2018	Fairchild, Jr.	D7/509
2008/0179274 A1 *	7/2008	Cheng	A45F 3/16
			215/329
2016/0137389 A1 *	5/2016	Fairchild, Jr.	B65D 81/3876
			220/739
2018/0028003 A1 *	2/2018	Nash	A47G 19/2205

* cited by examiner

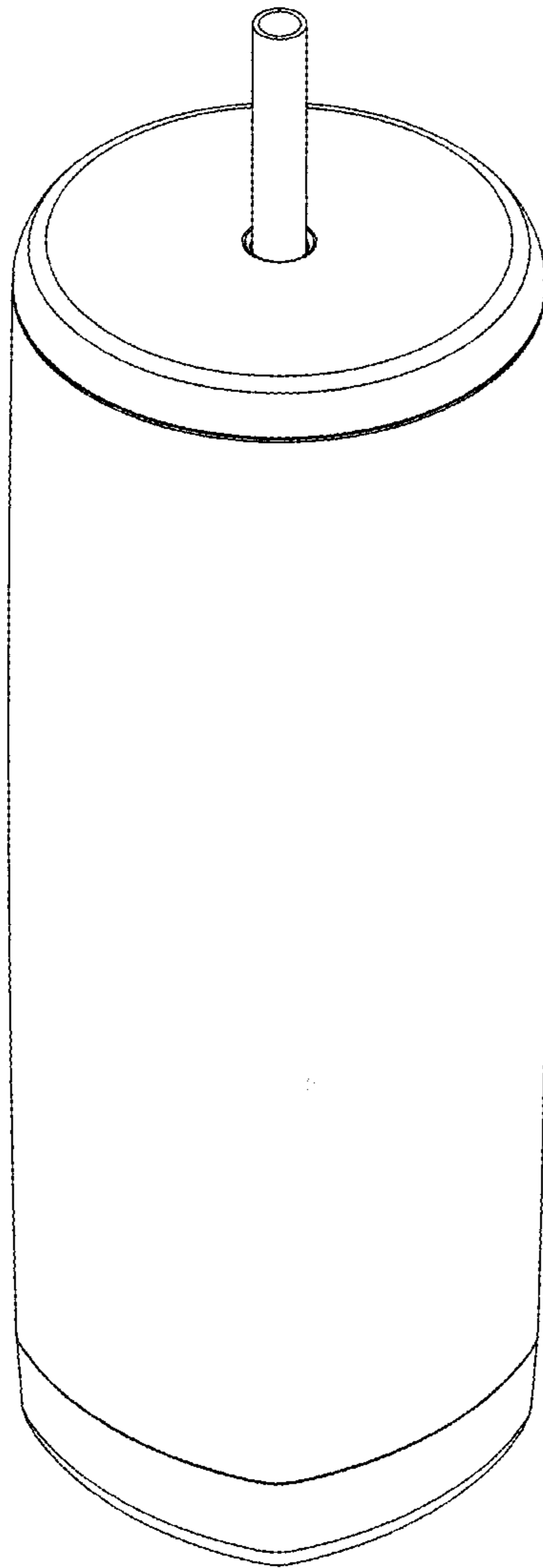


Fig. 1

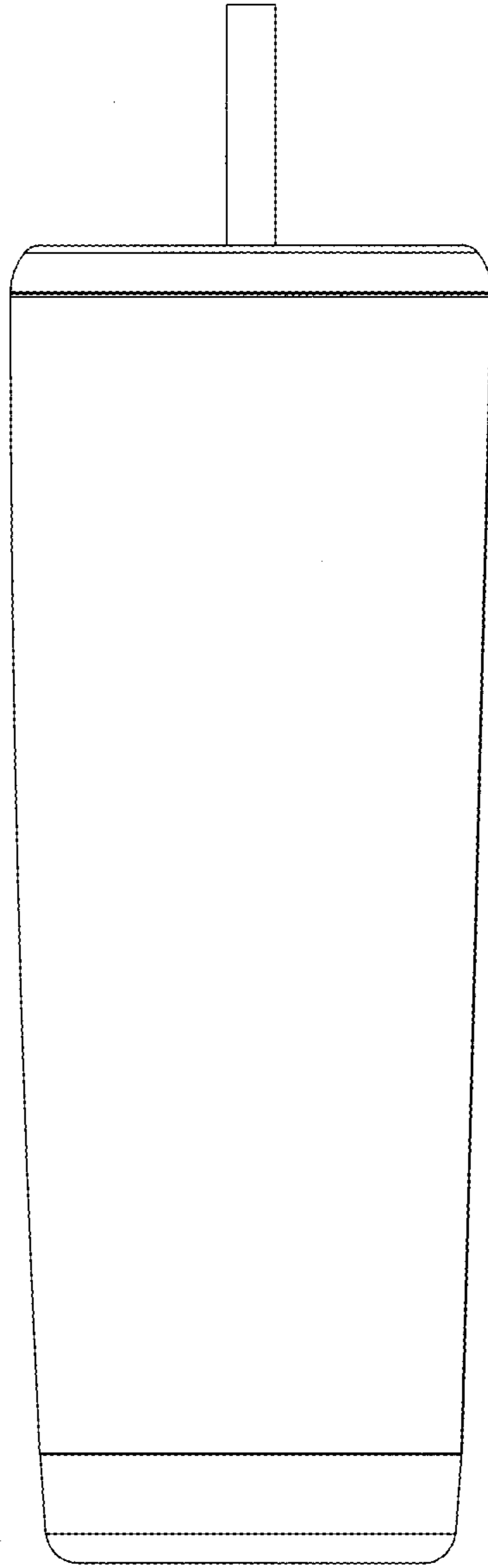


Fig. 2

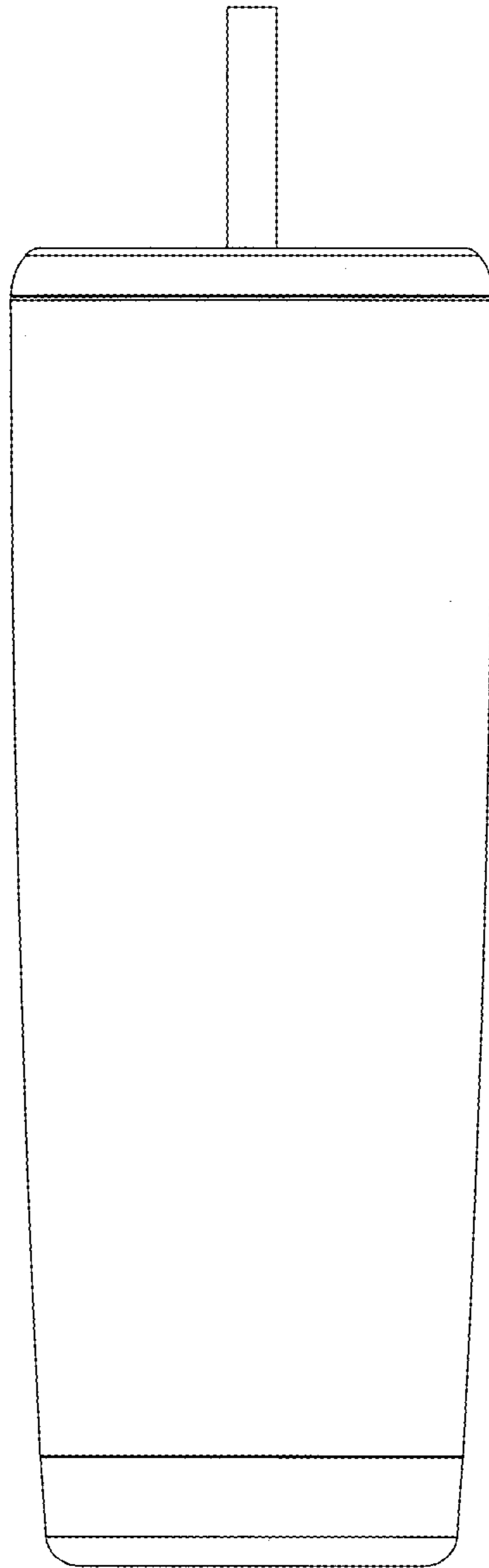


Fig. 3

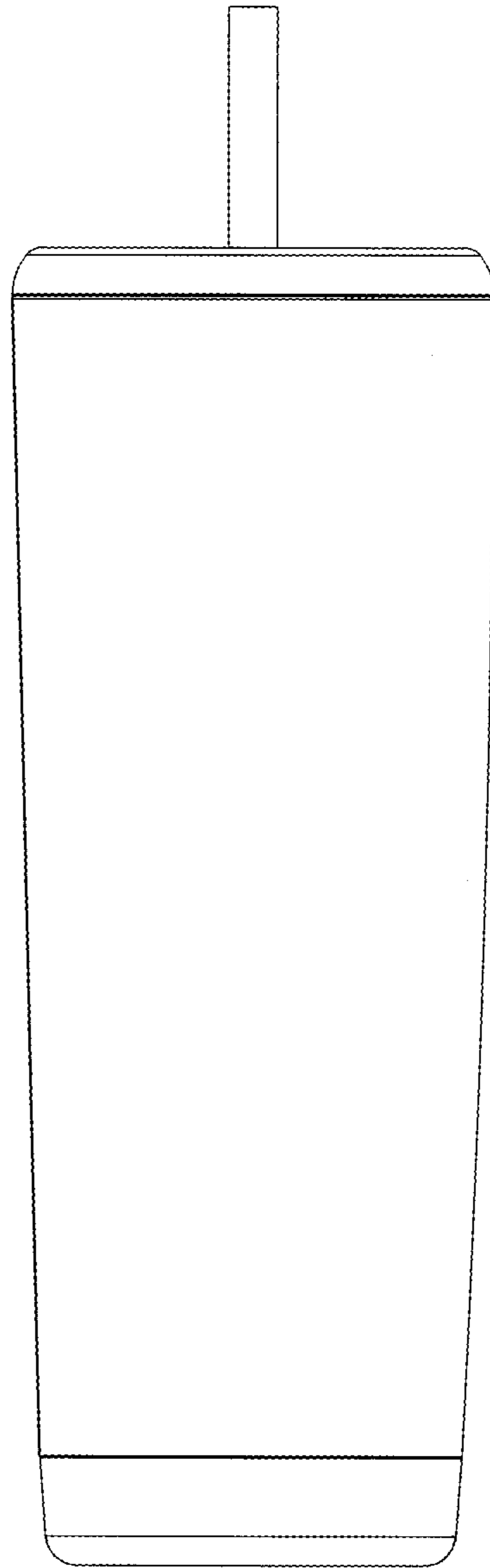


Fig. 4

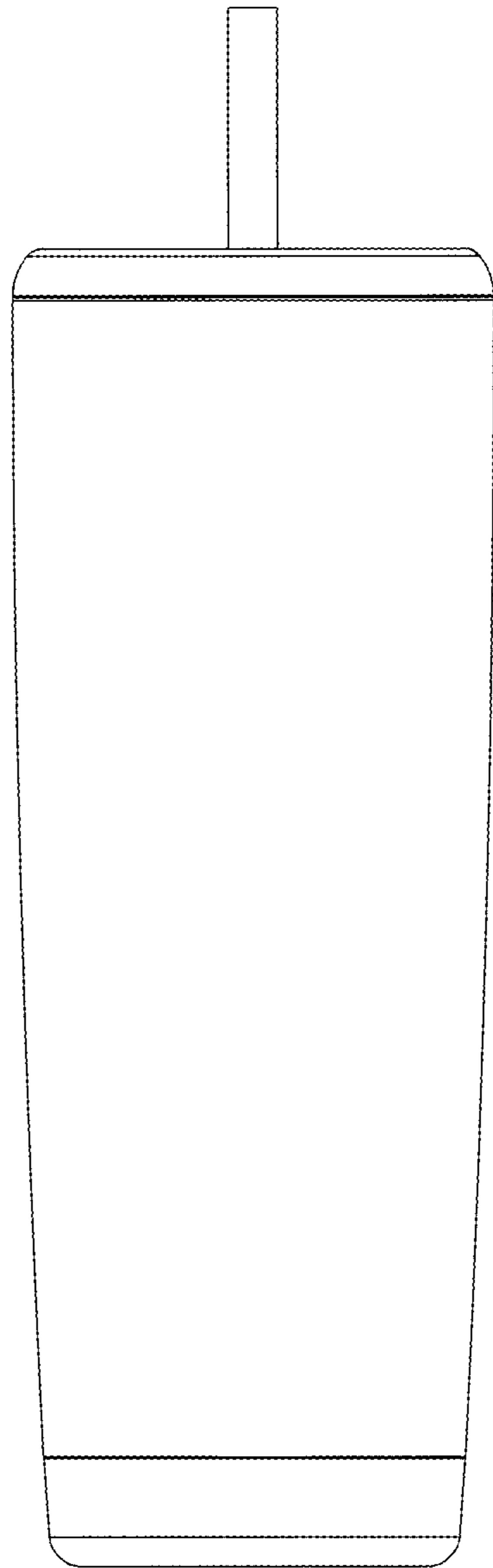


Fig. 5

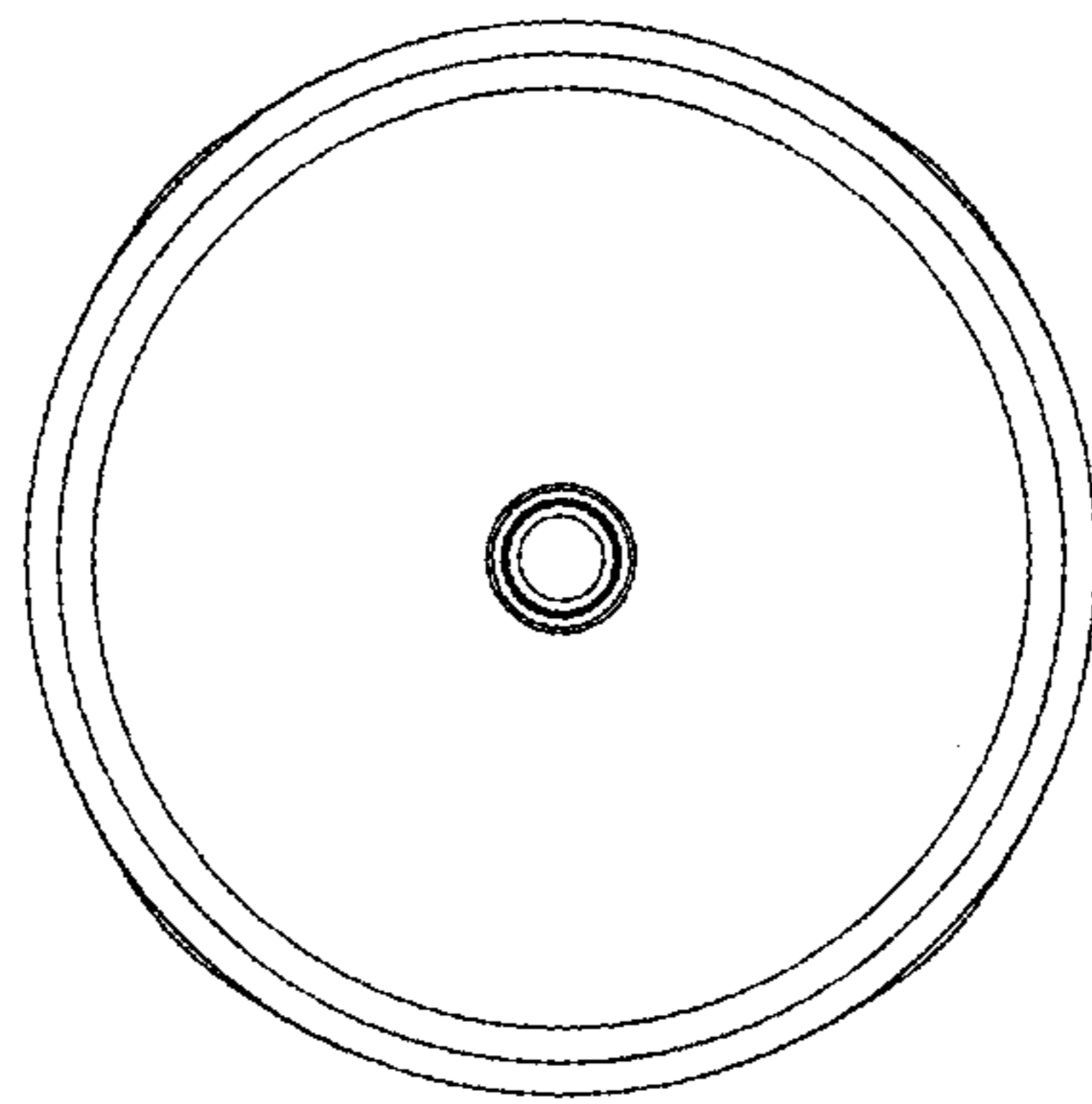


Fig. 6

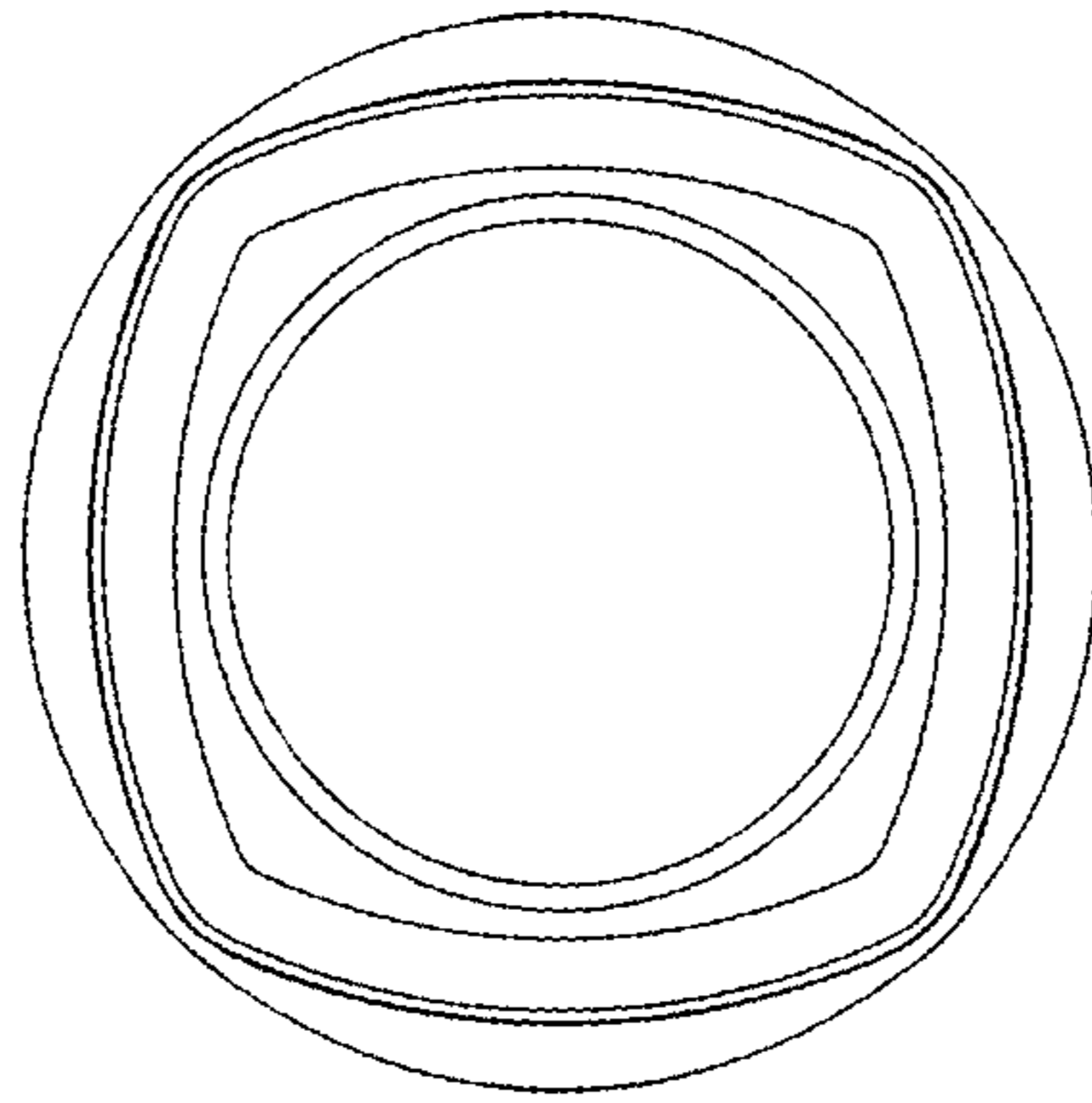


Fig. 7

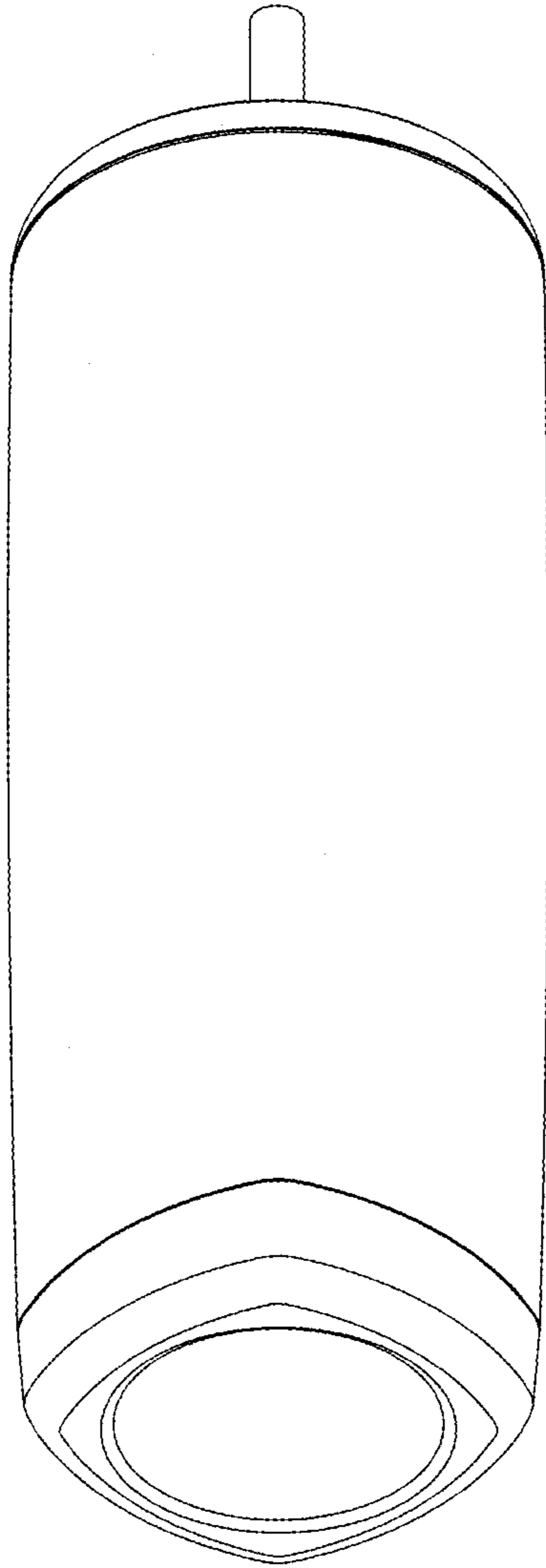


Fig. 8

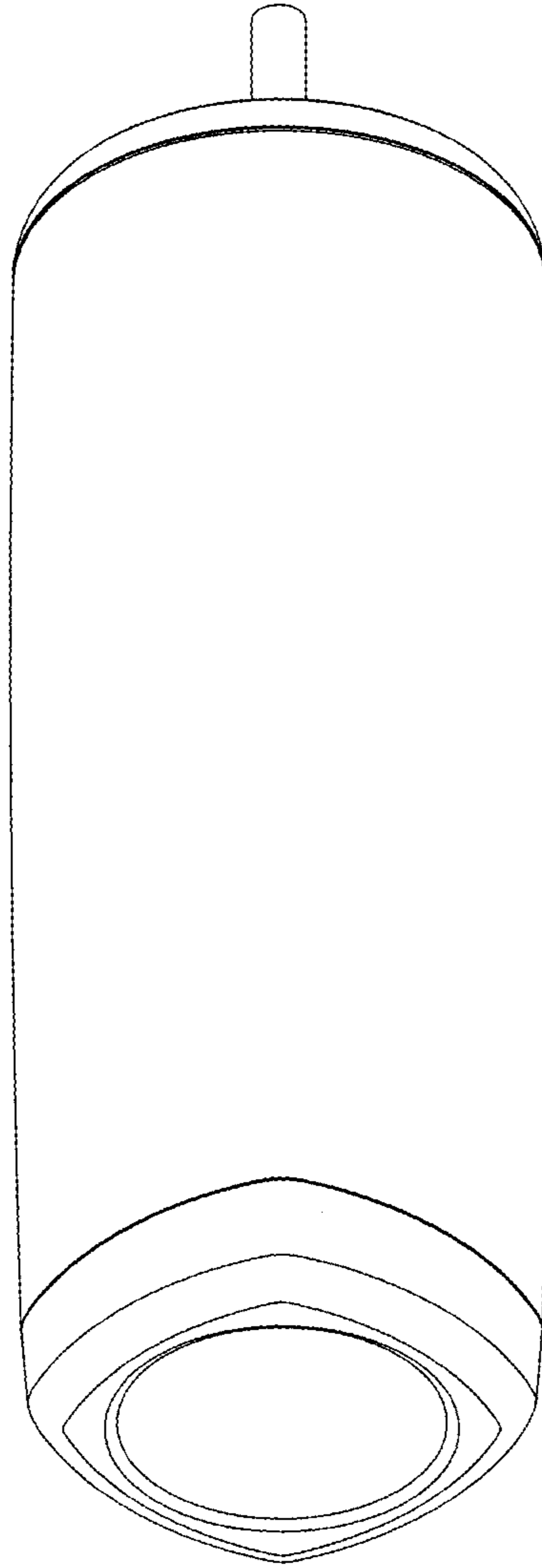


Fig. 9

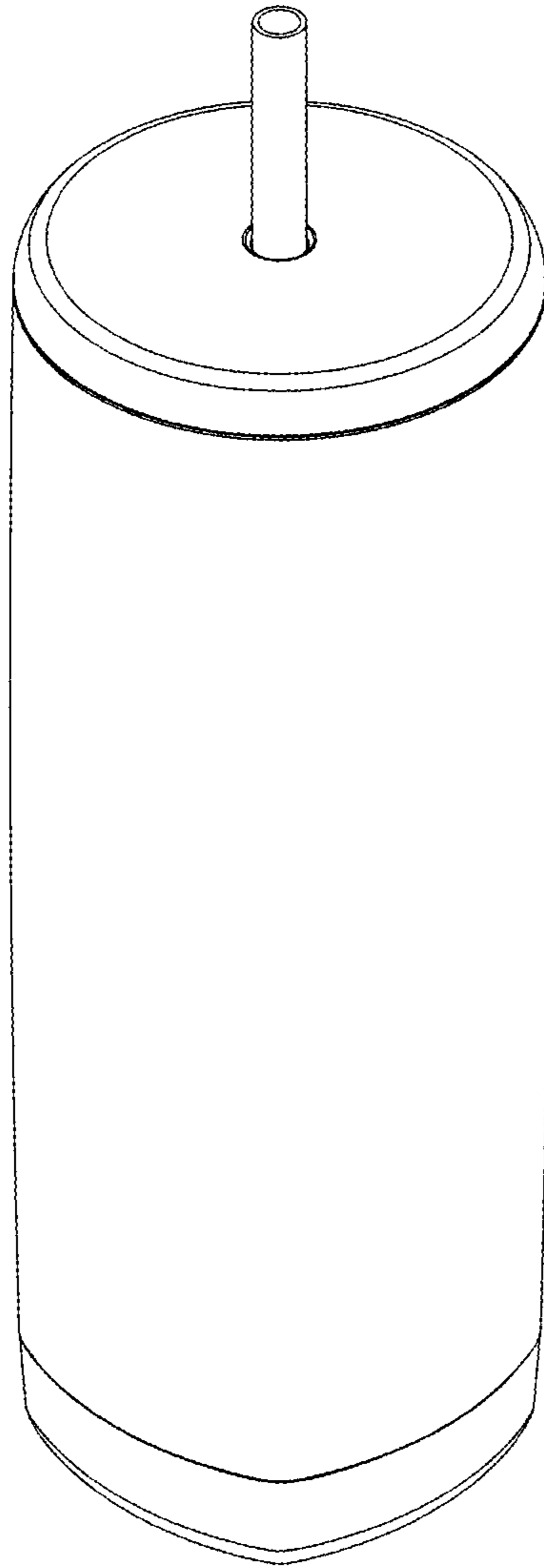


Fig. 10